

## Side Burner Assembly SBA3N Natural Gas SBA3P Propane Gas

For your convenience the MHP side burner has been factory assembled except for the handle and battery.

### BE SURE THE GAS SUPPLY IS TURNED OFF BEFORE STARTING

1. Remove the LEFT shelf from the grill bottom.
2. Carefully remove the Side Burner from its carton and line up the two mounting holes with the holes in the casting and fasten the Burner in place with two 1/4-20x3/4" stainless steel bolts and nuts that are provided. Do not over tighten.
3. Install the handle using two 10x24x1/2" screws provided.
4. **MAKE SURE GAS SUPPLY IS OFF.** Loosen and remove the gas supply hose to the grill valve (in the center of the control panel). Attach the special "T" connector to the grill valve in the position shown then reattach the gas supply hose to the "T" connector. Tighten securely using two wrenches.

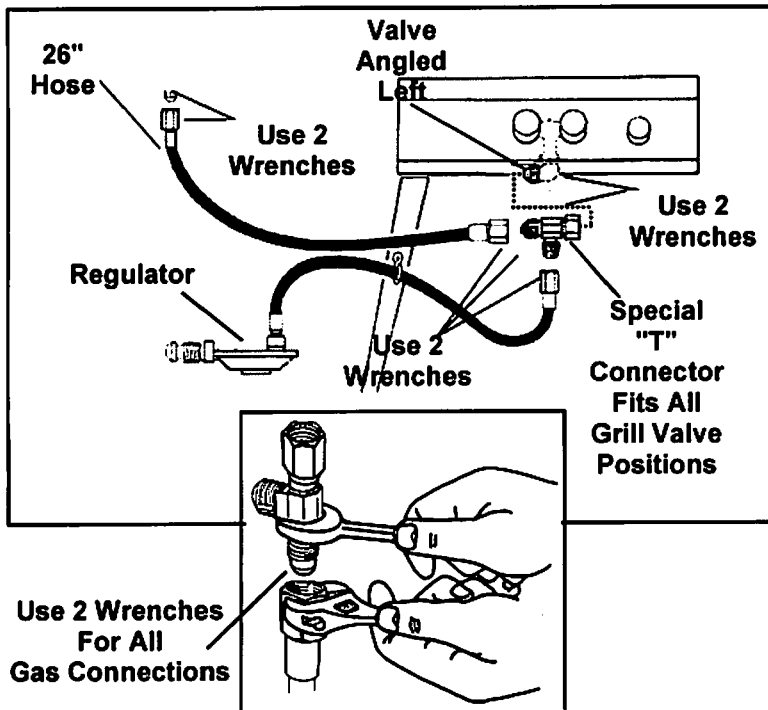
**Be sure to hold the valve assembly securely with one wrench while tightening the fitting with another wrench.**

5. Install the 26" hose to connect the Side Burner with the special "T" connector, as illustrated. Use two wrenches to make the connections secure and to prevent the valve from turning.

6. This completes the assembly, but first (**VERY IMPORTANT**) the system must be checked for leaks. Check all connections with a 50/50 solution of detergent and water to see where bubbles appear. Retighten the connection.

*Cont. Reverse Side*

Your Side Burner has a removable lid feature. Open the cover and shift it to the right to disengage the tabs at the back, then lift off. To reinstall reverse the sequence.



# Modern Home Products Corporation

150 South Ram Road • Antioch, Illinois 60002  
Phone: 888.647.4745 • 847.395.6556  
Fax: 800.637.2918 • 847.395.9121  
www.mhpgrills.com  
Email: customerservice@mhpgrills.com

7. The Spark Generator is battery operated. It supplies a continuous spark for sure ignition as long as the button is pressed. The AAA Battery is included for your convenience.

The Side Burner may also be lit with a match or hand held ignitor, but it is a good practice to keep the installed ignitor in working order.

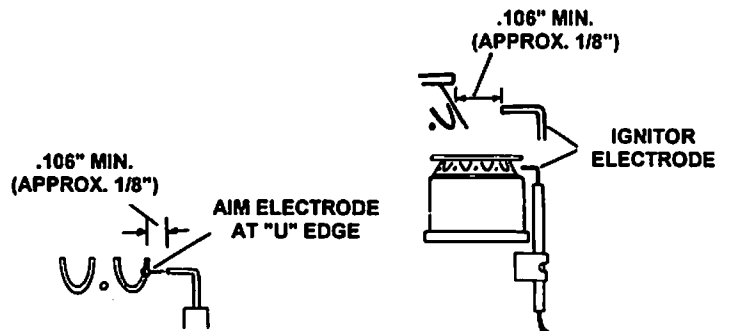
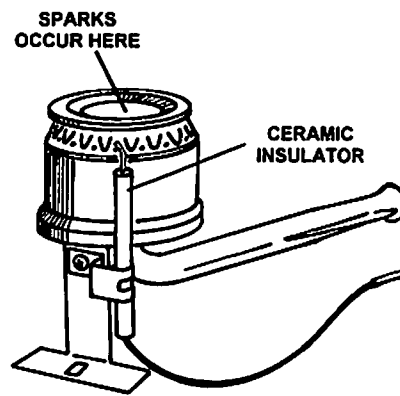
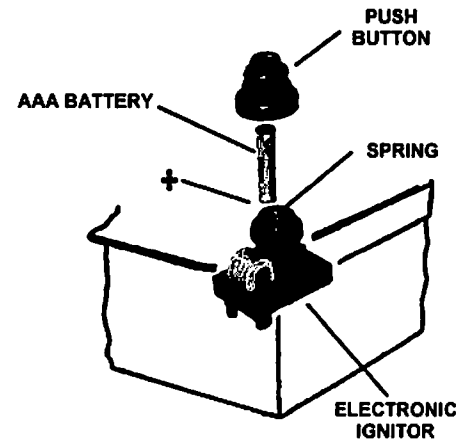
A good spark is the result of a good battery, a clean electrode and proper spacing of the electrode to the metal of the burner. Since the grill is outside and subject to a variety of temperature and humidity conditions, as well as dirt and grease, there is always the possibility of a poor spark.

Spark adjustments are simple and spark testing is visual. The electrode can be cleared (carefully) using a nail file or fine sandpaper. A spot on the side of the burner can also be sandpapered, right on the "U" opening. (See Illustration) Care must be taken not to break or crack the ceramic insulator. A crack will collect moisture and short circuit the spark preventing it from going to the burner.

9. Every burner is factory fire tested. The Ignitor Electrode is set for optimum performance at approximately 1/8" clearance from the center burner. To ignite the gas, turn the burner gas valve knob to HIGH and press the ignitor button.

10. To replace the AAA Battery in the electronic ignitor, simply unscrew the Ignitor Push Button and remove the old battery. Insert a fresh battery and retighten the push button by hand. Do Not Over Tighten.

**NOTE:** Do not be alarmed by small scratches that may appear on the surface of the stainless steel housing. They are normal to the manufacturing process. The stainless steel housing can be cleaned best by using hot soapy water or a mild



<b>HARDWARE INCLUDED:</b>	1 Handle
2 10x24x1/2" Stainless Steel Screws	2 1/4-20x3/4" Stainless Steel Bolts and Kep Nuts
1 Special Brass "T" Flare Fitting	
1 26" Hose	

**NOTE:** Spiders and other insects may construct webs in the burner venturi tube which may cause a fire. Periodic cleaning of this tube is recommended.

# Modern Home Products Corporation

150 South Ram Road • Antioch, Illinois 60002  
 Phone: 888.647.4745 • 847.395.6556  
 Fax: 800.637.2918 • 847.395.9121  
 www.mhpgrills.com  
 Email: customerservice@mhpgrills.com