



# LUM-VF-NM Lumonessen Vent Free Hearth Kit User Manual

[Home](#) » [Monessen](#) » LUM-VF-NM Lumonessen Vent Free Hearth Kit User Manual 

## Contents

- [1 LUM-VF-NM Lumonessen Vent Free Hearth Kit](#)
- [2 Product Information](#)
- [3 Product Usage Instructions](#)
- [4 Service Parts](#)
- [5 Documents / Resources](#)



**LUM-VF-NM Lumonessen Vent Free Hearth Kit**



## Product Information

The Lumonessen Vent Free Hearth Kit is a versatile heating solution for your home. It is available in different models and configurations to suit your needs:

Model	Description
LUM-VF-NM	Lumonessen Vent Free Hearth Kit – Natural Gas Manual Control
LUM-VF-NV	Lumonessen Vent Free Hearth Kit – Natural Gas Millivolt Control
LUM-VF-PM	Lumonessen Vent Free Hearth Kit – Propane Manual Control
LUM-VF-PV	Lumonessen Vent Free Hearth Kit – Propane Millivolt Control

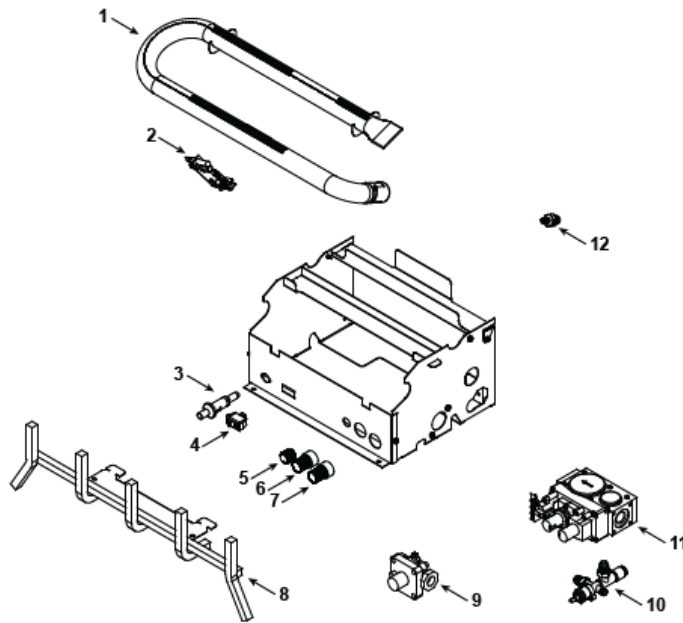
## Product Usage Instructions

To use the Lumonessen Vent Free Hearth Kit, please follow these steps:

1. Ensure that the product is connected to a suitable gas supply.
2. Check that all service parts are properly assembled and in good condition.
3. Turn on the gas supply using the On/Off Switch.
4. Adjust the desired heat output by turning the Knob Control.
5. If necessary, use the Knob Extension for additional control options.
6. Place the Grate in the designated area for optimal heat distribution.
7. For manual control models, regulate the gas flow using the Regulator and Control Valve.
8. For millivolt control models, adjust the gas flow using the Control Valve.
9. Ensure that the ODS Pilot Assembly and Pilot Tube are properly functioning.
10. If needed, use the Piezo Ignitor and Piezo Wire for ignition.

11. For specific gas types, refer to the COMMENTS section in the part number list for compatibility.

## Service Parts




The following service parts are available for the Lumonessen Vent Free Hearth Kit:

Item	Description	Part Number	Stocked at Depot
1	Burner	SRV4625-300	Yes
2	ODS Pilot Assembly (Manual Control)	SRV4625-302	Yes
2	ODS Pilot Assembly (Millivolt Control)	SRV26D2529	Yes
3	Pilot Tube	SRV14D0476	Yes
4	Piezo Ignitor	SRV14D0473	Yes
4	Piezo Wire	SRV14D0477	Yes
5	On/Off Switch	20308254K	Yes
6	Knob Control	SRV4018-118	Yes
7	Knob Extension, On/Off	SRV14D0503	Yes
8	Knob Extension, Hi/Lo	SRV00K0632	Yes
9	Grate	SRV32D0232	Yes
10	Regulator (Manual Control)	SRV18D0603	Yes
11	Control Valve (Manual Control)	SRV37D0010	Yes
11	Control Valve (Millivolt Control)	SRV37D0011	Yes
12	Orifice, Flare	SRV4625-312	Yes
12	Flex Gas Line (Manual Control)	SRV65D2039	Yes
12	Flex Gas Line (Millivolt Control)	SRV24D0306	Yes
12	Pilot Regulator (Millivolt Control)	SRV4018-154	Yes

*Please note: The part number list continues on the following page of the manual.*

## Documents / Resources

	<p><a href="#">MONESSEN LUM-VF-NM Lumonessen Vent Free Hearth Kit</a> [pdf] User Manual  LUM-VF-NM, LUM-VF-NV, LUM-VF-PM, LUM-VF-PV, LUM-VF-NM Lumonessen Vent Free  Hearth Kit, LUM-VF-NM, Lumonessen Vent Free Hearth Kit, Vent Free Hearth Kit, Free Hearth K  it, Hearth Kit</p>
---	--