

**SAVE THESE INSTRUCTIONS  
FOR FUTURE REFERENCE**

*A French manual is available upon request. Order P/N 901193-02.*

*Ce manuel d'installation est disponible en français, simplement en faire la demande. Numéro de la pièce 901193-02.*

	<p><b>! WARNING</b></p>
	<ul style="list-style-type: none"> <li>• <b>Hot! Do not touch!</b> The glass and surfaces of this appliance will be hot during operation and will retain heat for a while after shutting off the appliance. Severe burns may result.</li> <li>• <b>Carefully supervise children</b> in the same room as appliance.</li> </ul>
<ul style="list-style-type: none"> <li>• <b>If small children are present in the home, it is recommended that this appliance be fitted with an adjustable safety gate or barrier screen.</b></li> </ul>	

	<p>Listed to standards: ULC-S610 and UL-127 Report No. 14-181</p>
--	---

# INSTALLATION AND OPERATION INSTRUCTIONS

## LADERA-D

EPA Wood-Burning Fireplace  
P/N 901193-00 REV. B 01/2024

### MODEL

#### Ladera-D

This installation manual will enable you to obtain a safe, efficient and dependable installation of your fireplace system. Please read and understand these instructions before beginning your installation.

Do not alter or modify the fireplace or its components under any circumstances. Any modification or alteration of the fireplace system, including but not limited to the fireplace, chimney components and accessories, may void the warranty, listings and approvals of this system and could result in an unsafe and potentially dangerous installation.

IHP wood-burning fireplaces are designed for use as a supplemental heater. They are not intended for continuous use as a primary heat source.

<p><b>! WARNING</b></p>
<ul style="list-style-type: none"> <li>• <b>The fireplace cannot be operated without a door.</b> Consult your dealer to select the correct replacement door.</li> <li>• <b>The fireplace is equipped with a blower, electrical connection must be made prior to fireplace installation</b></li> <li>• <b>Important! To assure proper alignment of glass doors:</b> Install this fireplace in a square and plumb condition, using shims as necessary at sides and/or bottom.</li> <li>• <b>Install the fireplace only as described in these instructions.</b></li> </ul>

<p><b>! WARNING</b></p>
<p>This product can expose you to chemicals including Carbon Black, which is known to the State of California to cause cancer, and Carbon Monoxide, which is known to the State of California to cause birth defects or other reproductive harm. For more information go to <a href="http://www.P65Warnings.ca.gov">www.P65Warnings.ca.gov</a></p>



## CONGRATULATIONS!

When you purchased your new fireplace, you joined the ranks of thousands of individuals whose answer to their home heating needs reflects their concern for aesthetics, efficiency and our environment. We extend our continued support to help you achieve the maximum benefit and enjoyment available from your new fireplace.

Thank you for selecting a IHP fireplace as the answer to your home supplemental heating needs.

### TABLE OF CONTENTS

Introduction .....	Page 2
Parts Required .....	Page 2
Optional Equipment.....	Page 2
Operating The Fireplace .....	Page 2
First Fires .....	Page 2
Starting And Maintaining A Fire .....	Page 4
Combustion Control .....	Page 4
Refueling For Best Performance .....	Page 4
Smoking – Causes And Troubleshooting .....	Page 4
Important Cautions .....	Page 5
Maintenance.....	Page 5
Maintaining Your Fireplace.....	Page 6
Creosote.....	Page 6
Chimney Maintenance.....	Page 6
Dealing With A Chimney Fire.....	Page 6
Fuel .....	Page 6
Finish Door Casing Care.....	Page 7
Disposing of Ashes .....	Page 7
Refractory Installation.....	Page 8
Door Installation .....	Page 8
Door Adjustment.....	Page 8
Cold Climate Installations.....	Page 8
Facade Installation .....	Page 9
Framing, Facing And Mantel.....	Page 9
Hearth Extension Requirements.....	Page 9
Clearances to Combustibles.....	Page 9
Glass Care.....	Page 10
Fireplace Installation .....	Page 10
Framing Dimensions .....	Page 11
Nailing Flanges.....	Page 14
Facing And Mantel .....	Page 14
Fireplace Blower.....	Page 15
Outside Air Kit .....	Page 16
HeatFlo Convection Kit Installation .....	Page 17
Chimney System.....	Page 17
US ONLY - Snap Pak Chimney .....	Page 17
CANADA ONLY - Approved Chimney. Page	17
Chimney Chase And Multiple Terminations.....	Page 21
Masonry Application Instructions .....	Page 22
Installation Accessories .....	Page 23
Replacement Parts.....	Page 24
Specifications.....	Page 24
Chimney Components Lists .....	Page 24
Safety/Listing Label.....	Page 25
Warranty .....	Page 27
Product Reference Information.....	Page 28

### INTRODUCTION - THE FIREPLACE

The Ladera-D wood-burning fireplace is an energy efficient, heat circulating, closed combustion fireplace. You will receive a lifetime of comfort and enjoyment from your fireplace provided it is installed, maintained and operated properly.

- Please read these instructions and retain this manual for future reference.
- Before beginning the fireplace installation, consult the local authorities to obtain your building permit and check your local building codes. Install the fireplace only as described in these instructions and using only IHP components.
- This fireplace has been tested for CAN/ULC S610-M87 and ANSI/UL 127 under report number 307-4084. It has also been tested for EPA 40 C.F.R Part 60, section 60.532(b). Certificate number 537.
- The fireplace is NOT intended for use with a gas log set. Do not use a fireplace insert or any other product with this fireplace unless it is specified by IHP for use with this appliance. Failure to follow these instructions will void the certification and the warranty of the fireplace and may result in an unsafe installation.
- These appliances are designed to provide supplemental heat to the immediate area only. Therefore, it is advisable to have an alternate heat source when installed in a dwelling.

### FIREPLACE PACKAGING LIST (loose parts)

- Literature Kit (Installation and Operation Instructions, Wall Plate, Damper Rod and Handle, Strain Relief, Junction Box, and Rheostat.
- Intake Vent
- 4" Insulation Sleeve
- 4" Outside Air Intake Pipe
- (4) 10-16 x 3/4 Tek Screws
- Metal Safety Strip

### STANDARD EQUIPMENT

- Blower
- Blower Speed Control
- Outside Air Kit

### OPTIONAL EQUIPMENT

- Forced Air Heating Kit
- Perimeter Trim
- Cast Surround Kit

### CHIMNEY PARTS REQUIRED

#### United States:

6" diameter IHP Snap-Pak, including:

- Chimney lengths and Elbows (as required)
- Associated components as per these installation instructions

#### Canada:

6" diameter Security Chimney Secure Temp ASHT+ or S2100+

6" diameter DuraVent DuraTech Canada or Duratech Premium, including:

Chimney lengths and Elbows (as required) Associated components as per these installation instructions & instructions provided by the venting manufacturer.

### OPERATING THE FIREPLACE

**Fuel - USE SOLID NATURAL WOOD FUEL ONLY. This appliance is designed to burn dry seasoned natural wood only (see Page 7 for a list of prohibited fuels). Failure to burn proper fuels only will void the certification and the warranty of the appliance.** Hardwoods are preferred to softwoods since the energy content of wood is relative to its density. Hardwoods will result in a longer burning fire and less frequent refueling. A moisture content of 15% to 20% (seasoned) is recommended. Wood that has been cut and split and let to dry under a cover for a period of one year will usually meet that criteria. The required drying time will vary depending on the climate. Wood that is packed tight together will take longer to dry. Seasoned wood is darker in color than wet wood and will have visible cracks in the grain on the ends. Excessively wet wood will be difficult to burn and will result in lower efficiency, increased creosoting and deposits on the glass and in the chimney. Excessively dry wood will burn well but will also have higher emissions and shorter burning time.

### DO NOT OVERFIRE THIS HEATER

Attempts to achieve heat output rates that exceed heater design specifications can result in permanent damage to the heater.

### FIRST FIRES

**Before using the fireplace make sure to remove the plastic wrapping and EPA label on plated door. Remove any glue residue left by the label using mild soap.**

The first five or six fires should be small fires of short duration (about 30 to 60 minutes). This will help cure the refractory bricks. During the first few fires of this appliance there may be some odor and smoke due to the curing of the paint, dust accumulation and burning off of lubricants used in the manufacturing process. It may set off a smoke alarm located in the same room. For this reason the room should be well ventilated for the first few fires.

**IMPORTANT! GENERAL SAFETY PRECAUTIONS. READ AND UNDERSTAND THESE SAFETY RULES BEFORE YOUR FIRST FIRE.**

**! WARNING**

This fireplace must be installed with an outside air kit intake, which is included with the fireplace

**! WARNING**

THE FIREPLACE MUST BE OPERATED WITH THE DOORS FULLY CLOSED. IF THE DOORS ARE LEFT PARTLY OPENED, GAS AND FLAME MAY BE DRAWN OUT OF THE FIREPLACE OPENING, CREATING RISKS OF BOTH FIRE AND SMOKE.

**! WARNING**

NEVER use gasoline, gasoline-type lantern fuel, kerosene, charcoal lighter fluid, naphtha, engine oil or similar liquids to start or "freshen up" a fire in this fireplace. Keep any flammable liquids a safe distance from the fireplace at all times.

**! WARNING**

THIS FIREPLACE HAS NOT BEEN TESTED WITH AN UNVENTED GAS OR A FIREPLACE INSERT. TO REDUCE RISK OF FIRE OR INJURY, DO NOT INSTALL AN UNVENTED GAS LOG SET OR FIREPLACE INSERT OR OTHER PRODUCTS NOT SPECIFIED FOR USE WITH THIS FIREPLACE.

**! WARNING**

Never leave your fireplace unattended while it is burning.

**! WARNING**

To avoid the risk of damaging fireplace materials and increasing the risk of fire, do not use the fireplace to cook or warm food.

**! WARNING**

Use care when selecting window treatments for windows located near the fireplace. Avoid using combustible flowing window treatments such as curtains on nearby windows that are of sufficient length to be blown in front of an open flame when the window is opened. Keep any combustible furniture, materials or decorative pillows at least 48" (1219 mm) from the front fireplace opening.

**! WARNING**

Never modify or alter your fireplace system in any way. To do so may create a potential fire hazard and void the limited warranty, listings and approvals of this system.

**! IMPORTANT**

When burning wood, use **SOLID NATURAL DRY WELL-SEASONED WOOD ONLY**. Hardwoods are recommended (soft woods tend to burn very quickly).

- DO NOT burn treated wood, charcoal, coal, trash, cardboard, driftwood, woods dipped in tar, Christmas tree greens, pitch, pine tar, creosote, chemical chimney cleaners, flame colorants, polystyrene packaging, wood products with synthetic binders (i.e. plywood). Plywood, lumber and other misc. materials can produce abnormally high temperatures, sputtering and smoking fires and may contain hazardous chemicals to treat insects and fungus.
- Burning unapproved fuels can produce excessive temperatures, beyond the design capabilities of the fireplace and may produce excess sparks or may contain hazardous chemicals. Burning unapproved fuels can result in a chimney fire, a house fire, personal injury, death or loss of property.

**! WARNING**

Never leave children unattended when there is a fire burning in the fireplace.

**! WARNING**

Always ensure that the air inlet to the fireplace is free from debris and any other obstructions that can block the entrance of air.

**! WARNING**

Be careful adding wood fuel to the fire or handling fireplace tools such as shovels, tongs or pokers.

**! WARNING**

The bottom refractory can be cracked by excessive abuse such as tossing heavy logs onto the grate or gouging with fireplace tools. Exercise caution when adding wood to your fireplace.

**! WARNING**

Neither the manufacturer nor the seller warrants "smoke free" operation nor are we responsible for inadequate system draft caused by mechanical systems, general construction conditions, inadequate chimney heights, adverse wind conditions and/or unusual environmental factors or conditions beyond our control.

## OPERATING THE FIREPLACE

**Fuel - USE SOLID NATURAL WOOD FUEL ONLY.** This appliance is designed to burn dry seasoned natural wood only (see Page 7 for a list of prohibited fuels). Failure to burn proper fuels only will void the certification and the warranty of the appliance. Hardwoods are preferred to softwoods since the energy content of wood is relative to its density. Hardwoods will result in a longer burning fire and less frequent refueling.

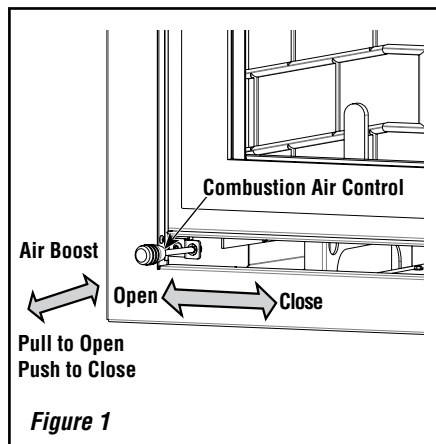
A moisture content of 15% to 20% (seasoned) is recommended. Wood that has been cut and split and let to dry under a cover for a period of one year will usually meet that criteria. The required drying time will vary depending on the climate. Wood that is packed tight together will take longer to dry. Seasoned wood is darker in color than wet wood and will have visible cracks in the grain on the ends. Excessively wet wood will be difficult to burn and will result in lower efficiency, increased creosoting and plugging of the catalytic combustor. Excessively dry wood will burn well but will also have higher emissions and shorter burning time.

## DO NOT OVERFIRE THIS HEATER

Attempts to achieve heat output rates that exceed heater design specifications can result in permanent damage to the heater.

## FIRST FIRES

The first five or six fires should be small fires of short duration (about 30 to 60 minutes). This will help cure the refractory bricks. During the first few fires of this appliance there may be some odor and smoke due to the curing of the paint, dust accumulation and burning off of lubricants used in the manufacturing process. It may set off a smoke alarm located in the same room. For this reason the room should be well ventilated for the first few fires.



## Building a Fire (starting and maintaining a fire)

To start a fire, place several crumpled up balls of newspaper in the firebox. Place small dry pieces of kindling on top of the paper, criss-crossing the kindling so that there are air spaces in between. Keep the fuel far back enough so that air can get underneath. Open the air controls fully and light the newspaper. Once the newspaper and the kindling is well ignited, close the door. Once the kindling fire is well established, cord wood can be added (see *Primary Air Combustion Control* section for proper operation of the air controls).

The unit will burn best with 2-3 pieces of cord wood spaced 1 to 2 inches apart and allowing air to get under the fuel. Criss-crossing or arranging the fuel so that air can get underneath, will help the fire to get started easily. The unit should be operated with the air control fully open long enough to get the cord wood well ignited.

## COMBUSTION CONTROLS

### Primary Air and Air Boost Controls

There is no flue damper in the wood burning fireplace. As is common with air tight stoves, the combustion air control sets the flow of air entering the firebox. This allows for a more precise control of the fire. The combustion air control is located below the door on the left side. The main source of air (primary air) entering the firebox can be diminished by moving the air combustion control from left to right. The primary air is fully opened when the air control is completely moved to the left. The air control device can also be used to add an extra boost of air especially during fire start up and reloading of the unit.

Pulling the air combustion control will induce an air boost at the base of the fire allowing an easier fire start up. When the fire is well established, the control can be pushed in to shut down the air boost allowing for a longer burn time. The combustion air control should be in the closed position (primary air and air boost) when the fireplace is not in use. This will minimize air leakage up the chimney. The combustion air control should be opened before opening the door to minimize the possibility of back draft coming into the room.

### Accelerated Combustion

The maximum heat output for the fireplace is achieved by burning with the door closed and the combustion air opened and pulled out. By this method, the fireplace can produce up to 53,000 BTU of heat per hour. However, it will be necessary to reload with wood every one or two hours. This is the least efficient method of burning the fireplace. Use caution when firing with the combustion air control wide open. Only burn cord wood in this manner. Small dry pieces of softwood and construction scraps will burn very intensely using this method and may damage the firebox.

## Medium Combustion

This is the recommended mode of operating the fireplace and should be the one normally used since it will deposit the least amount of creosote on the glass and in the chimney. After a high burn the medium combustion rate may be achieved by closing the primary combustion air control, but leaving the Boost control fully open. Many factors can cause the medium rate to vary, depending on wood moisture content and chimney height, as well as temperature of the fireplace itself. For instance, a long chimney might necessitate closing the air boost more.

Three medium size pieces of wood should be burned on a bed of hot coals. The heat output will be approximately 20,000 BTU/hr and the loading time about every 3-4 hours. Softwoods burned using this method will burn quicker than hardwoods.

## Slow Combustion

When the air combustion controls are completely closed, the fireplace is in a slow combustion phase. If the hearth is hot enough, slow combustion will not extinguish the fire, but there will be a notice-able change in the flame pattern. The flames will be slow and will appear only at the top of the fireplace. If the wood is too wet (moisture content greater than 25%, the flames may go out. Do not allow the wood to burn without flame, since this will produce excessive creosote in the unit. Slightly open either or both air controls to remedy this. Creosote may accumulate on the glass door.

This method of burning should be used only after operating the fireplace with the air control opened to produce a hot fire for about an hour or at medium pace for at least three (3) hours. Slow combustion can be used at night in order to reduce the heat output and to prolong the burn. The loading time will be between 6-8 hours.

## Refueling For Best Performance

The fireplace will operate best if attention is given to operating the unit with the damper fully opened after refueling in order to bring the firebox and the chimney system up to their optimum operating temperature. Combustion efficiency is relative to firebox temperature. A moderately high temperature with visible flame in the upper part of the firebox yields best efficiencies. To obtain this, the fireplace must be operated with the primary air and air boost controls fully opened during the first 10 to 20 minutes after reloading, depending on the heat and moisture content of the wood.

Once you have reached the desired temperature, the air boost can be closed and the primary air set to a medium setting. You know you have reached the desired temperature when, closing the primary air control, you can see a flame at the top of the firebox. The benefit of this technique will be cleaner glass, less creosoting, greater efficiency and the most pleasing fire for your enjoyment.

## SMOKING – CAUSES AND TROUBLESHOOTING

To reduce the likelihood of smoking when opening the door, set the combustion air controls to the left before opening the door. Your fireplace has been designed and tested to provide smoke free operation. Occasionally, there may be a small amount of smoking upon lighting the fire, until the chimney heats up but this should not continue. If the fireplace continues to smoke it is probably for one of the following reasons:

- A. Negative pressure in the house** - As the fire burns, air goes up the chimney. This air must be replaced through leakage into the house or through the outside air duct. When operating the fireplace, open a nearby window temporarily to check if there is adequate replacement air supply.
- B. Fans operating (e.g.: range hood)** - These fans draw air out of the house and may actually cause a negative pressure in the house. Turn off all fans and open a nearby window to determine if this is the cause of the problem.
- C. Wetwood** - Wet or tarred wood will smoulder and smoke instead of burn properly. Your dealer can help you determine if you have properly seasoned wood for burning.
- D. Dirty or blocked chimney** - Check to make sure the chimney is clear and clean. If dirty call a certified chimney sweep or use a properly sized chimney brush to clean.
- E. Chimney not long enough** - The minimum chimney height is twelve (12) feet (3.7 m) not including the fireplace height. The chimney must extend at least three (3) feet (915 mm) above its point of contact with the roof and at least two (2) feet (610 mm) higher than any roof or wall within ten (10) feet (3 m) of it. When installed with offsets, the minimum chimney height is fifteen (15) feet (4.6 m). Additional height will increase draft and will decrease the tendency to smoke.
- F. Poor chimney draft** - With no fire, there should be sufficient draft to exhaust cigarette smoke introduced under the baffle. Chimneys installed against an outside wall without protection may generate back draft problems which will cause start-up problems. To prevent this, open a nearby window, roll up a piece of paper and light it. Then, hold it in the upper part of the firebox to warm up the chimney. Wait until the draft is sufficient, then start the fire.

## IMPORTANT CAUTIONS

- A. Do not block the hot air vents to the fireplace as this will cause the fireplace to overheat.**
- B. Never use gasoline, gasoline-type lantern fuel, kerosene, charcoal lighter fluid, or similar liquids to start or 'freshen up' a fire in this fireplace. Keep all such liquids well away from the fireplace while it is in use.**
- C. Do not burn coal. The sulphur in coal will corrode the firebox and chimney.**
- D. Keep combustible materials at least 48" (1.2 m) away from the front of the fireplace opening.**
- E. Never leave children unattended when there is a fire burning in the fireplace.**
- F. Do not use the fireplace as an incinerator to burn paper, cardboard or construction material such as pressed wood, plywood or lumber. Use only untreated wood. Wood protectors, metallic paper, coal, plastic, waste, beach wood, Christmas tree, sulphur and/or oil will damage the fireplace.**
- G. Do not burn driftwood which has been in the ocean or salt water. The salt will corrode the firebox and chimney.**
- H. Do not burn wood in the area in front of the grate.**
- I. Do not allow the wood to smoulder or burn without flame, since this will produce excessive creosote in the unit as well as increased particulate emissions.**
- J. Blower for forced air kit operating** - Make sure that the blower is at the "off" position when you open the fireplace door for reloading.

## Smoke Detectors Recommended

Since there are always several potential sources of fire in any home, we recommend installing smoke detectors. If possible, install the smoke detector in a hallway adjacent to the room (to reduce the possibility of occasional false activation from the heat produced by these appliances). If your local code requires a smoke detector be installed within the same room, you must follow the requirements of your local code. Check with your local building department for requirements in your area.

## Carbon Monoxide Monitor Recommended

**Carbon Monoxide Poisoning:** Early signs of carbon monoxide poisoning are similar to the flu with headaches, dizziness and/or nausea. If you have these signs, obtain fresh air immediately. Some people are more affected by carbon monoxide than others, including pregnant women, people with heart or lung disease or anemia, those under the influence of alcohol, and those at high altitudes.

**It is against federal regulations to operate wood heaters in a manner inconsistent with operating instructions in the manual.**

## MAINTENANCE AND CARE

### Maintaining Your Fireplace

**Have your product inspected at least once a year by a qualified service technician to ensure gaskets, air tubes, baffles, and venting are in good repair to ensure proper performance. Have degraded items replaced by a qualified service technician.**

**This wood heater needs periodic inspection and repair for proper operation. Consult the owner's manual for further information. It is against federal regulations to operate this wood heater in a manner inconsistent with the operating in this manual.**

### Creosote - Formation and Need for Removal

When wood is burned slowly, it produces tar and other organic vapors, which combine with expelled moisture to form creosote. The creosote vapors condense in the relatively cool chimney flue of a slow-burning fire. As a result, creosote residue accumulates on the flue lining. When ignited this creosote makes an extremely hot fire.

The chimney shall be inspected at least twice a year during the heating season to determine when a creosote buildup has occurred.

When creosote has accumulated it shall be removed to reduce the risk of a chimney fire.

When the creosote accumulation is large, a creosote fire in the chimney can damage the chimney and overheat the surrounding wood framing. Creosote formation in a chimney can be minimized by making sure there is always visible flame burning, avoid smouldering fires and by proper refuelling techniques.

## MAINTENANCE AND CARE

### Chimney Maintenance

Regular chimney inspection and maintenance combined with proper operation will prevent chimney fires. Keep your chimney clean. Do not allow more than 1/16" (1.6 mm) creosote build up in your chimney. The amount of creosote will depend on variables such as frequency of use and type of fire. We recommend that you:

- A. Initially inspect the chimney system weekly. From this, you will learn how often it will be necessary to clean your chimney.
- B. Have your chimney cleaned by a qualified chimney sweep. If you wish to clean it yourself, we recommend using a stiff plastic or non-metallic brush. If a metal brush is used, its size should be slightly smaller than the flue to avoid damaging the chimney. Do not use a brush that will scratch the stainless steel interior of the chimney.
- C. Do not expect chemical cleaners to keep your chimney clean. The rain cap can be removed for inspection and/or cleaning of the chimney.

**CAUTION: It is necessary to remove the baffle from the top of the firebox before cleaning the chimney. See "Top Baffle Removal Prior To Chimney Sweep."**

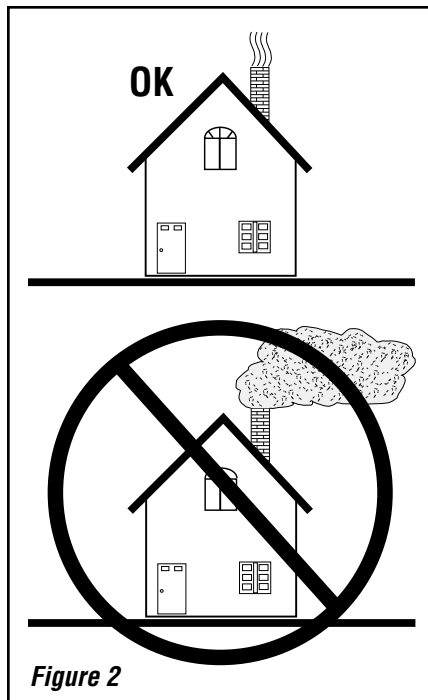
### Dealing With a Chimney Fire

Regular chimney maintenance and inspection can prevent chimney fires. If you have a chimney fire, follow these steps:

1. Close the fireplace door and the combustion air controls.
2. Alert your family of the possible danger.
3. If you require assistance, alert your fire department.
4. If possible, use a dry chemical fire extinguisher, baking soda or sand to control the fire. Do not use water as it may cause a dangerous steam explosion.
5. Check outside to ensure that sparks and hot embers coming out of the chimney are not igniting the roof.
6. Do not use the fireplace again until your chimney and fireplace have been inspected by a qualified chimney sweep or a Fire Department Inspector.

### Achieving Clean Burns

Check the exhaust in about 15 to 20 minutes (see below). Large amounts of smoke indicate an improper burn setting (either too high or too low). Adjust and recheck in 5 to 10 minutes.



## FUEL

### What does "Well-Seasoned" mean?

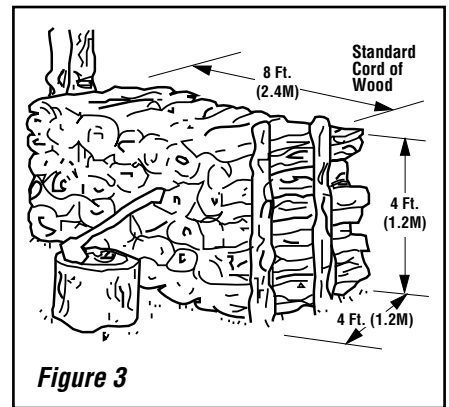
When a tree is cut down, the wood is green, full of sap and moisture. This moisture content can exceed 80%, which must be reduced to less than 20%. Wood properly seasoned is then capable of generating the heat the stove was designed to provide.

Green wood does not burn easily. Attempting to burn green wood often results in a lot of smoke and very little fire. Time is the most important factor in seasoning wood. Ideally the moisture content should be reduced to 11-20%. **NOTE: The use of a firewood moisture meter is recommended to ensure the firewood contains less than 20% moisture.**

### Seasoning Guide

Softwoods - 6 months to 18 months  
Hardwoods - 12 months to 24 months

Logs that are 5" diameter across or larger should be split in half, three pieces if over 8 inches, and four pieces when over a foot across. If a tree has been dead for 2 - 4 years it still needs to be cut, split, and seasoned for 6 to 24 months depending on the wood.



## ! WARNING

**Disposal of Ashes: Ashes should be placed in a metal container with a tight-fitting lid. The closed container of ashes should be placed on a noncombustible floor or on the ground, well away from all combustible materials, pending final disposal. If the ashes are disposed of by burial in soil or otherwise locally dispersed, they should be retained in the closed container until all cinders have thoroughly cooled.**

## ! WARNING

**When processed solid fuel firelogs are used: Do not poke or stir the logs while they are burning. Use only firelogs that have been evaluated for the application in fireplace and refer to firelog warnings and caution markings on packaging prior to use.**



## MAINTENANCE AND CARE *(continued)*

### Prohibited Fuels

This heater is designed to burn natural wood only. Higher efficiencies and lower emissions generally result when burning air dried seasoned hardwoods, as compared to softwoods or to green or freshly cut hardwoods. **DO NOT BURN:**

- Garbage;
- Lawn clippings or yard waste;
- Materials containing rubber, including tires;
- Materials containing plastic;
- Waste petroleum products, paints or paint thinners, or asphalt products;
- Materials containing asbestos;
- Construction or demolition debris;
- Railroad ties or pressure-treated wood;
- Manure or animal remains;
- Salt water driftwood or other previously salt water saturated materials;
- Unseasoned wood;
- Christmas tree branches;
- Paper products, colored paper, cardboard, plywood, or particleboard;
- gasoline;
- naphtha;
- engine oil;
- flammable liquids;
- solvents;
- grease; or
- coal

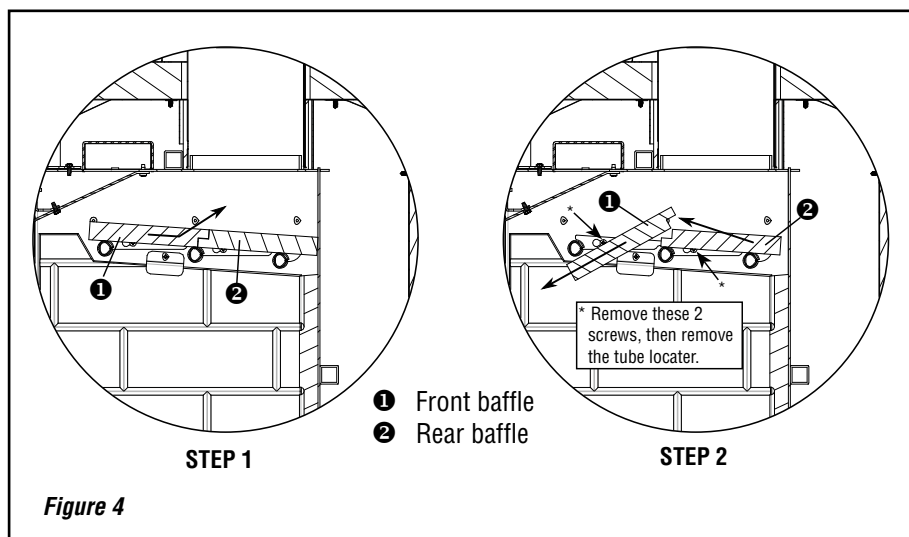
The prohibition against burning these materials does not prohibit the use of fire starters made from paper, cardboard, saw dust, wax and similar substances for the purpose of starting a fire in an affected wood heater.

Burning these materials may result in release of toxic fumes or render the heater ineffective and cause smoke. Intense firing with these materials may overheat the fireplace, causing damage to the unit, a fire or even possibly igniting a chimney fire if the chimney is creosoted. Burning unapproved fuel, resulting in excessive pollutants being emitted, may be prohibited and subject to a fine or other penalty by the authority having jurisdiction in your area.

### Top Baffle and Secondary Burn Tube Removal Prior to Cleaning The Chimney, Replacing Baffles, or Replacing Secondary Burn Tubes

Follow these steps to remove the Baffles and/ or Secondary Burn Tubes:

1. Remove the side refractory holder. They are located at the top of the refractory.
2. Lift the front baffle and slide forward. Lift the rear baffle and slide up so that both screws holding the tube locator (holding the tubes in place) may be removed.
3. Remove the front tube by sliding it either left or right and dropping it out.
4. Remove the baffle boards.
5. Remove the remaining 3 tubes.
6. Reinstall in reverse order, being sure to position all four tubes in place with the tabs on the tube locator.



### Finish Door Casing Care

Use a glass cleaner and a soft cloth to polish the casing. Do not use abrasives such as steel wool, steel pads or an abrasive polish for they may scratch the casing's finish.

### DISPOSING OF ASHES

Whenever ashes get 3 to 4 inches deep in your firebox, and when the fire has burned down and cooled, remove excess ashes. Leave an ash bed approximately 1 inch deep on the firebox bottom to help maintain a hot charcoal bed.

Remove ashes only when the fire is out and the ashes are cold (24 to 48 hours after the fire is out).

Do not leave the ashes in the house as they give off carbon monoxide and other toxic gases.

### GLASS CARE Glass Replacement

The glass used for the fireplace is a high temperature ceramic glass (1,400° F/760° C). If the glass breaks, it must be replaced with an identical ceramic glass. Tempered glass or ordinary glass will not withstand the high temperatures of the fireplace. Replacement glass should be purchased from a IHP dealer (see "Replacement Parts", **Page 24**). **DO NOT OPERATE THE UNIT WITH CRACKED OR BROKEN GLASS.**

### Glass Cleaning

The fireplace is designed to keep the glass clean under normal operating conditions. If the fireplace is operated continuously with the combustion air controls closed, the glass will tend to get dirty unless the fuel, firebox and glass are maintained at hot temperatures (see "Refueling For Best Performance"). To clean the glass, there are a number of specially designed cleaners. Your authorized IHP dealer can recommend a suitable cleaner which is available in your area. Regular household glass cleaners will not clean creosote. Do not use abrasives

such as steel pads, steel wool or oven cleaner as they will scratch the glass.

**DO NOT USE CHEMICAL GLASS CLEANERS ON PAINTED SURFACES AS IT MAY CAUSE THE PAINT TO PEEL.**

**CAUTION: DO NOT ALLOW WINDOW CLEANER TO GET IN CONTACT WITH DOOR GASKET OR PAINT ON FACADE OR DOOR. ONCE CLOSED, CONTACT OF GLASS CLEANER WITH THE FIREPLACE FACADE CAN PROVOKE PAINT PEELING OFF.**

### Gasket Replacement

Remove the door from the unit (see **Page 8**) and lay it on a clean unabrasive surface. To replace the gasket, first remove all of the old gasket and gasket cement. Make sure that the surface is totally clean before applying new cement (a high temperature silicone caulking rated at 500° F [260° C], is suitable) or adhesion problems may result. Apply gasket cement to the gasket channel and install the new gasket. This replacement part is available from your IHP dealer in the following dimensions:

Gasket	Length	Dimensions	Part No.
Around Glass	69 (1753)	1 x 3/16 (25 x 4.8)	PR-SR1685H
On Door Frame	73 (1854)	3/4 dia. (19.5)	PR-SR18230
<b>Table 1</b>		<b>*NOTE: Inches (millimeters)</b>	

## MAINTENANCE AND CARE (continued)

### REFRACTORY REPLACEMENT

The intense heat of the fire will normally cause hairline cracks in the refractory. These cracks can be minimized by proper curing as described in "First Fires". They will not normally diminish the effectiveness of the refractory. If large cracks develop, then the refractory should be replaced. To replace the refractory bricks, follow these steps:

1. Remove the front refractories
2. Remove the bottom refractory
3. Remove the left side refractory
4. Remove the right side refractory
5. Remove the back refractory
6. Remove the front ceramic baffle
7. Remove the rear ceramic baffle

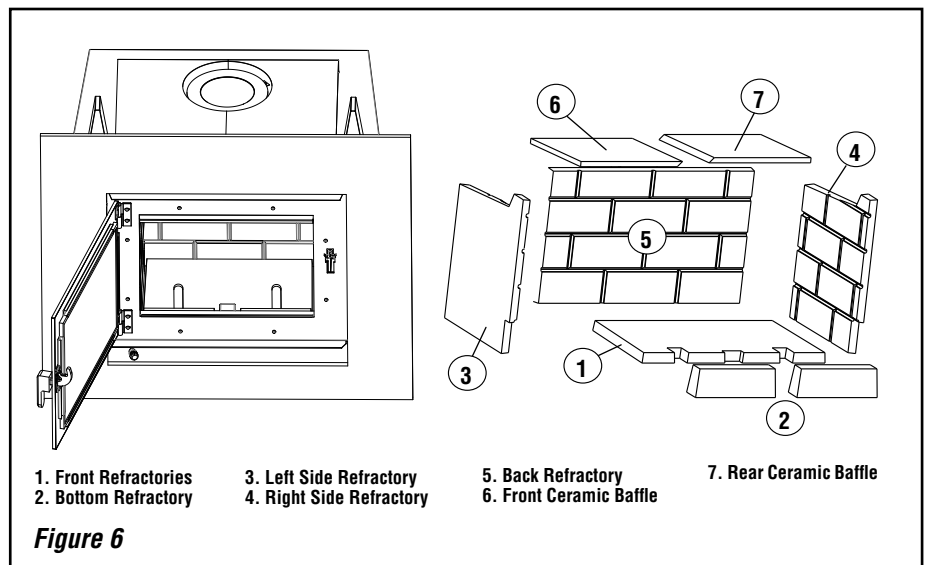
To install the new refractories, follow the above steps in reverse.

### DOOR REMOVAL

To remove the door, simply pull the door up from the hinges (see **Figure 5**). The door adjustment has been set at the factory. If the fit is still not perfect, you can adjust the door using the hinge screws.

### DOOR ADJUSTMENT

The door may need to be adjusted to keep the door gasket completely airtight. The door hinges may be loosened using a 3/8" Nut driver and 1/8" Allen Key. The door mount hinges may also be adjusted with a 5/32 Allen Key. Additionally, on the right side of the unit there is a latch adjustment screw (**Figure 5**) which may be used to tighten the door gasket when the door is closed (5/32" Allen Key).



**Checking Door Seal** - A one-inch strip of paper may be used to perform a test of the integrity of the door seal. Close the door on the paper in at least eight points. It is normal to feel only a slight amount of friction. The door gasket does not need to be "tight" in all areas, since a small amount of leakage is not hazardous or detrimental to the performance of your fireplace.

### COLD CLIMATE INSTALLATIONS

**Climates where temperatures will fall below 32° F (0° C).**

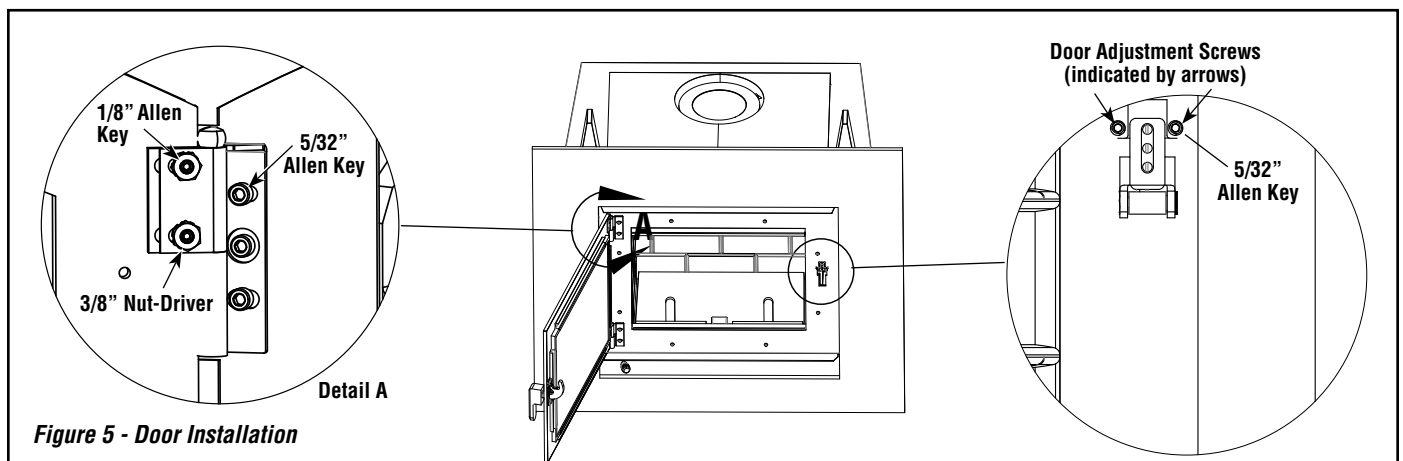
The heating performance of the appliance will vary depending upon the level of insulation, house design, how the appliance is operated, etc.

If this fireplace is being installed in a cold climate, it is especially important to seal all cracks around the fireplace and wherever cold air could enter the room with noncombustible material.

Also, the outside air inlet duct should be wrapped with noncombustible insulation to minimize the formation of condensation. Do not place insulation materials directly against the chimney sections. We recommend that you use the insulated wall radiation shield since it will maintain the home's thermal barrier. AC chimney is NOT recommended in very cold climates (in areas with temperatures below 32°F (0°C)).

### ⚠ WARNING

- Use only an IHP glass door, specifically designed for this fireplace.
- The fireplace cannot be operated without door. Consult your dealer to select the correct replacement door.
- Important! To assure proper alignment of glass doors: Install this fireplace in a square and plumb condition, using shims as necessary at sides and/or bottom.





## OPTIONAL PERIMETER TRIM AND CAST FACADE INSTALLATION

Install per instructions provided with Trim or Facade Kit (ordered separately - see **Page 23**). After the Trim or Facade has been installed attach the adjustment handle by passing it through the lower left slot of the facade, and screwing the threaded end into the threaded faster until snug.

**NOTE:** install damper handle after facade is installed.

### Framing, Facing And Mantel

The construction of the framing, facing, and mantel must be in accordance with the standards and the following illustrations (**Figures 8 and 9**):

A. Frame the fireplace using 2" x 3" or heavier lumber.

**B. WARNING: Combustible materials cannot be used in the space directly above the fireplace, except for the studs above the facade that support the facing and mantel. This area must remain empty for a height of 6'8" (2,032 mm) measured from the base of the appliance.**

C. Frame the fireplace with vertical studs at the sides of the fireplace running from floor to ceiling (see **Figure 8**). If combustible facing is to be used, position the studs back, from the front edge of the fireplace (a space that is the thickness of the facing material, so that the facing can be installed flush with the fireplace facing). Frame headers between the vertical studs only as follows:

- Place 2" x 3" or 2" x 4" headers, only along the upper part of the front, side and back faces (some codes may require a 2" x 6" on an outside bearing wall). Do not put wood or any combustible material within the area above the fireplace except on the front facing.
- Place headers only as required to support the facing and mantel.

**D. WARNING: The fireplace must not be in contact with any insulation or loose filling material. Cover the insulation with drywall panels around the fireplace.**

### HEARTH EXTENSION REQUIREMENTS

The fireplace may be installed directly on a combustible floor. The supplied safety metal strip must be positioned as follows: One half under the front of the fireplace and the other half must extend on the floor over which the hearth extension will be built (see **Figure 8**).

\* The safety metal strip must cover the entire width of the fireplace.

The combustible floor in front of the fireplace must be covered with a non-combustible material (tile, marble, stone, etc). See **Figure 9**.

### CLEARANCE TO COMBUSTIBLES

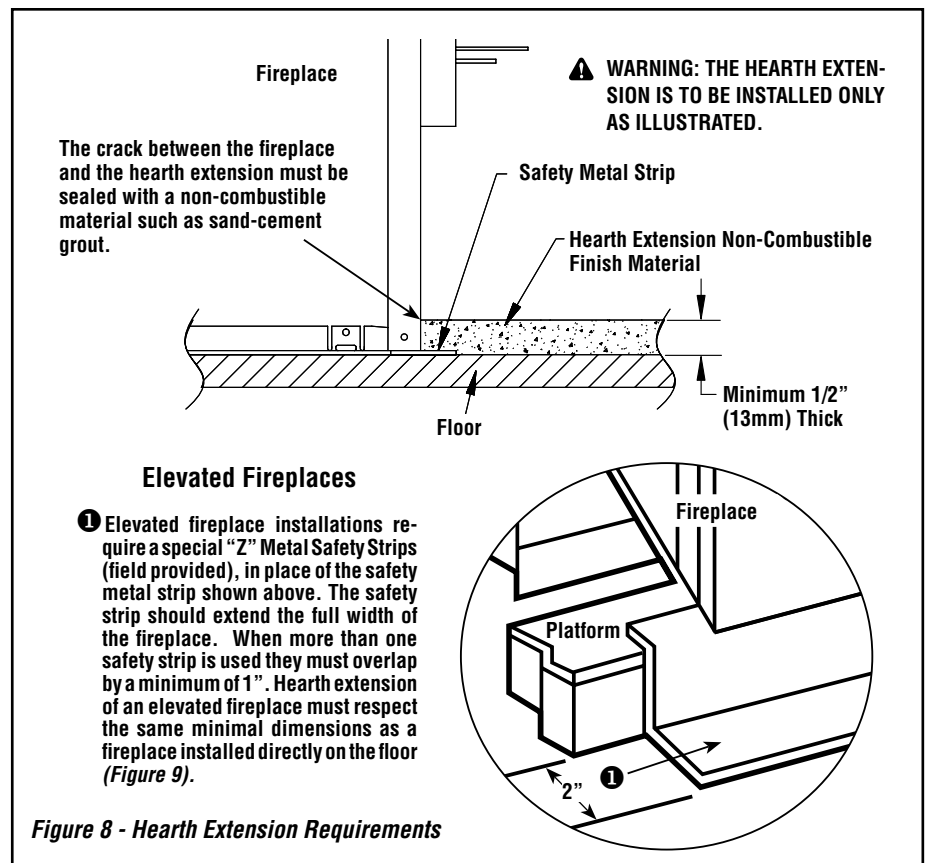
The following clearances meet the minimum requirements for a safe installation:

**Side wall:** 24" (610 mm) (measured from the firebox opening)

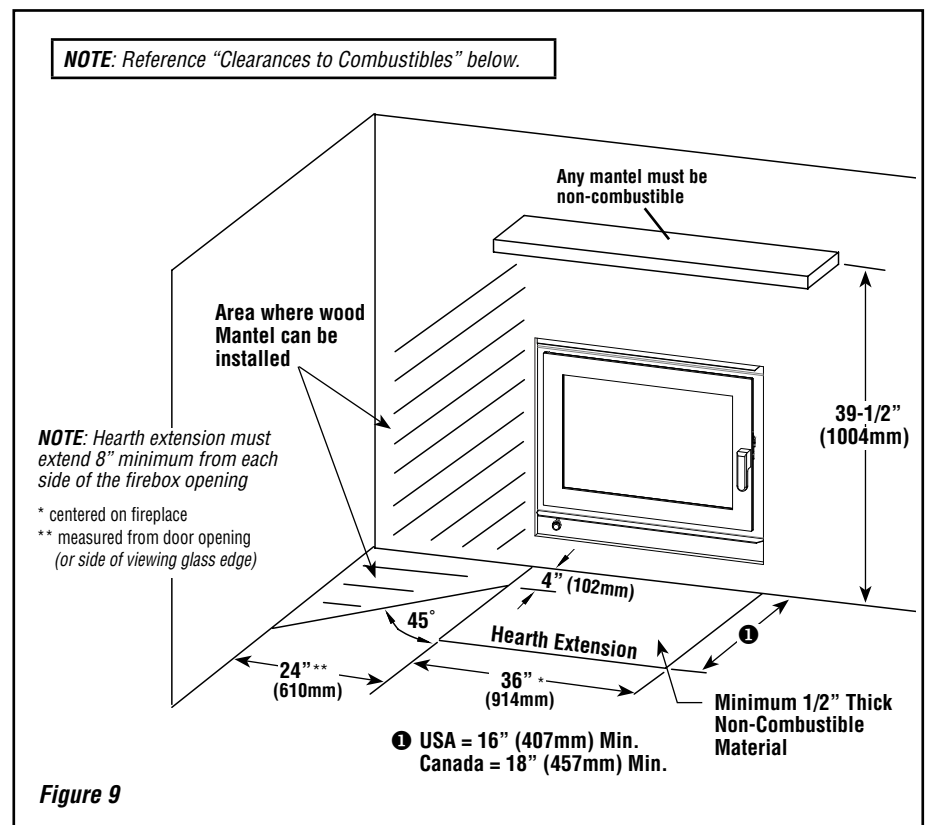
**Ceiling:** 6' 8" (2,032 mm) measured from the base of the fireplace

#### Fireplace enclosure:

- Bottom: 0"
- Side: 0" to standoff
- Back: 0" to standoff
- Top: Do not fill the space above the fireplace with any material (Except the wood framing. See **Page 11, Figure 11**)



**Figure 8 - Hearth Extension Requirements**



**Figure 9**

**Chimney:** 2" (50 mm)

**Mantel:** 39-1/2 (1004mm) minimum above base of unit. 16" (407mm) maximum depth.

**NOTE:** Only non-combustible mantels may be used.

## FIREPLACE INSTALLATION

### Locating The Fireplace

The best location to install your fireplace is determined by considering the location of windows, doors, and the traffic flow in the room where the fireplace is located, allowing space in front of the unit for the hearth extension and the mantel, and taking into consideration the location of the hot air ducts (optional), outside air kit and chimney.

If possible, you should choose a location where the chimney will pass through the house without cutting floor or roof joists (see fireplace dimensions **Page 11**).

Usually, no additional floor support is needed for the fireplace. The adequacy of the floor can be checked by first estimating the weight of the fireplace system. Weights are given on **Page 24**. Note the floor construction and consult your local building code to determine if additional support is needed.

The fireplace may be installed directly on the floor or on a raised base (for proper guidelines, refer to "Hearth Extension Requirements") and a minimum of 6'8" (2 m) measured from the base of the appliance to the ceiling is required.

When selecting the location, the chimney outlet position and the direction of the wind are important factors affecting the chimney performance. To allow a maximum draft and to reduce wind turbulence, the chimney must:

- Penetrate the highest part of the roof.
- Be installed as far as possible from roof offsets, trees or any other obstructions that may cause wind turbulence and back drafts in the chimney.
- The least amount of offsets (elbows) possible. **NOTE:** A maximum of 2 offsets is allowed.

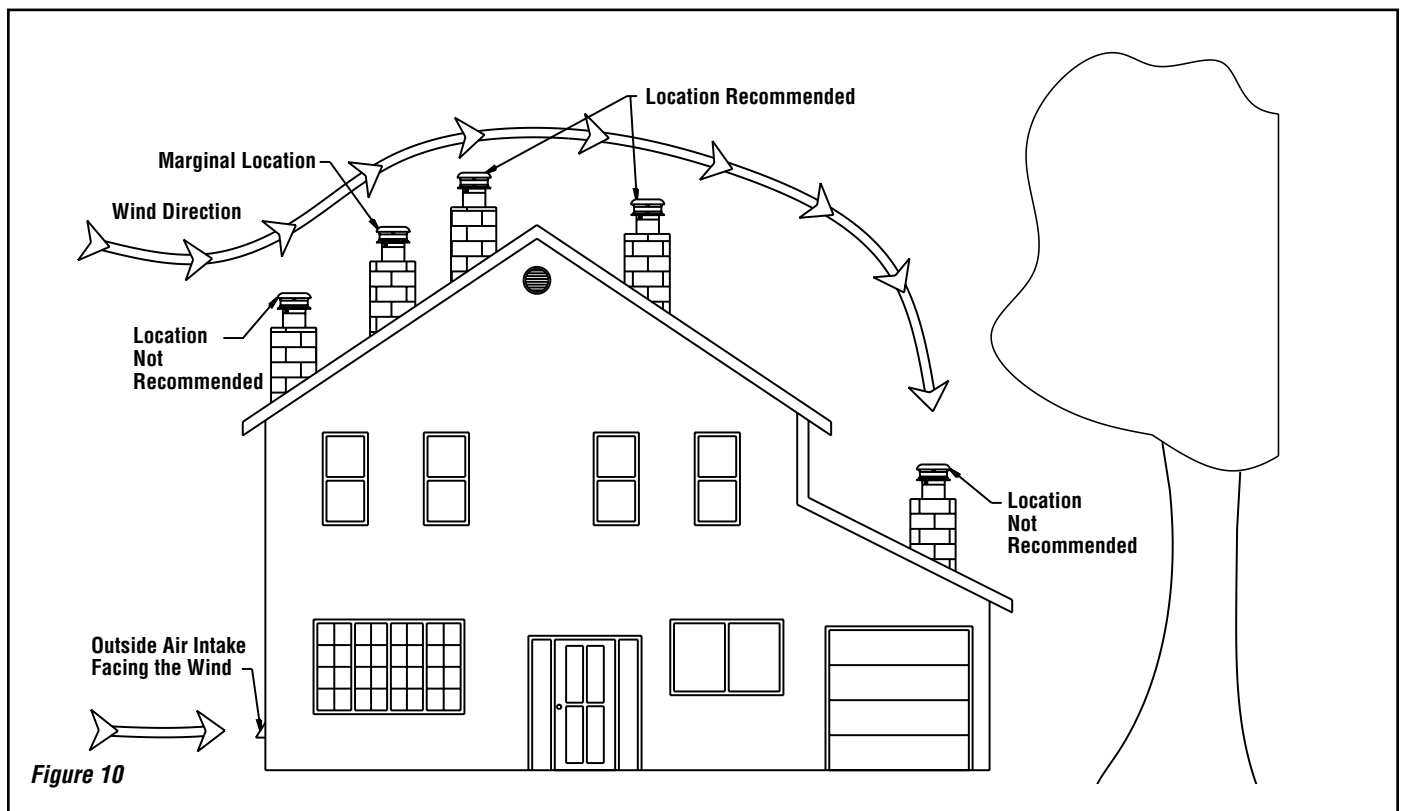
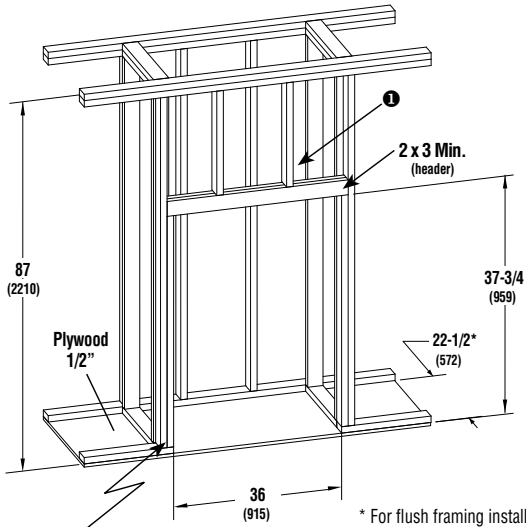


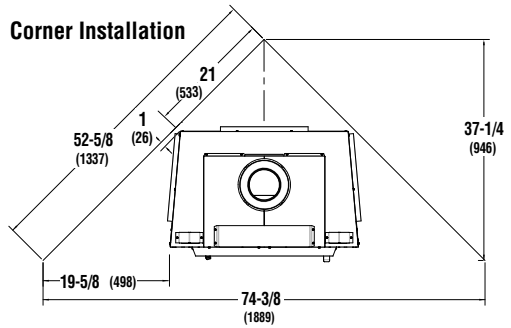
Figure 10



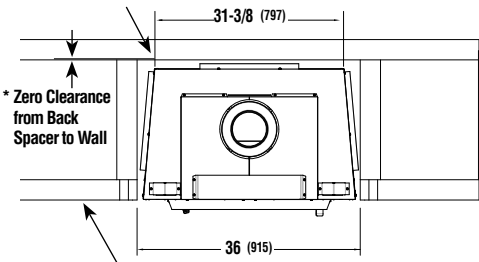
**Rough Framing Face**  
(dimension includes finish material inside framing, if any)

\* For flush framing installations

❶ Combustible materials can NOT be used in the space directly above the fireplace. Do not fill the space above the fireplace with any material (Except the wood framing)

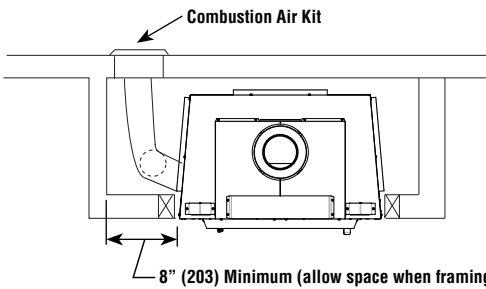


**Corner Installation**



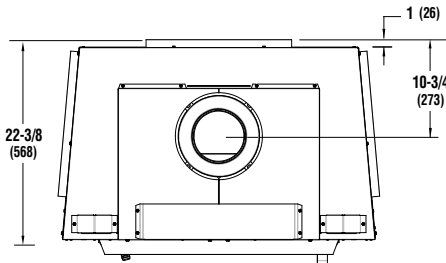
\* Zero Clearance from Back Spacer to Wall

Rough Framing Face (unfinished shown)

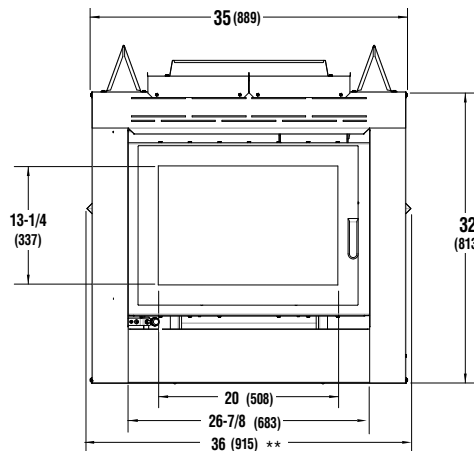
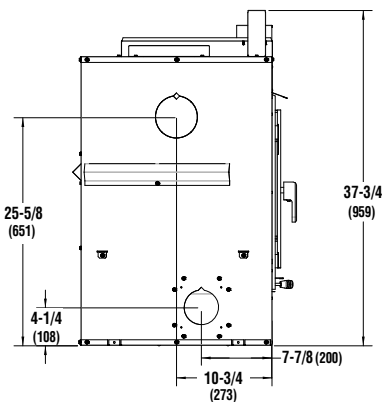


Combustion Air Kit

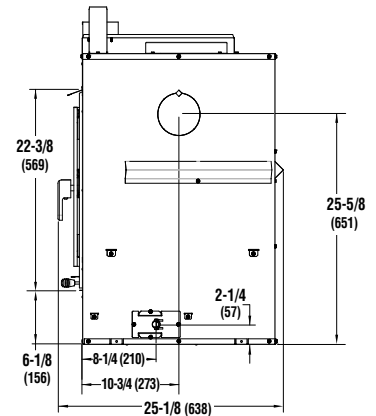
Inches (millimeters)



**WARNING: IF YOU ARE INSTALLING THE CAST FACADE PLEASE REFER TO THE INSTALLATION SHEET PROVIDED WITH THE CAST FACADE TO PLAN YOUR INSTALLATION.**



\*\*To outside standoffs



NOTES
Diagrams, illustrations and photographs are not to scale – consult installation instructions. Product designs, materials, dimensions, specifications, colors and prices are subject to change or discontinuance without notice.
All framing dimensions include sheathing.
* The fireplace must not be in contact with any insulation or loose filling material. Cover the insulation with Drywall panels around the fireplace.

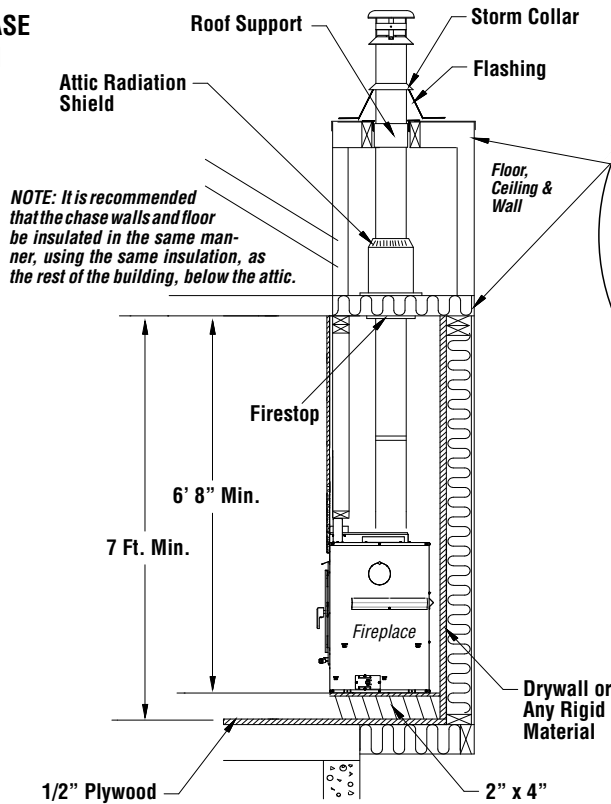
**Facing**

1. Combustible material must be installed flush with the fireplace. It may not project in front of and on the fireplace (i.e. the steel facade of the fireplace) (Figure 16A).
2. Non-combustible materials such as brick, stone or ceramic tile may project in front of and onto the fireplace facing (Figure 16A).

**IMPORTANT**  
The trim or facade must be removable once installed. They are designed to overlap any facing material installed on the front of the fireplace. If thicker material is installed, use the trim or facade as a template and make sure it can be easily removed for servicing.

Figure 11 - Framing Dimensions

# INSULATED CHASE CONSTRUCTION



**NOTE:** It is recommended that the chase walls and floor be insulated in the same manner, using the same insulation, as the rest of the building, below the attic.



**Floor Ceiling Wall**

- Must have the same firestopping resistance as adjacent wall.
- Must have the same insulation as adjacent ceiling.
- Follow local rules regarding framing construction.

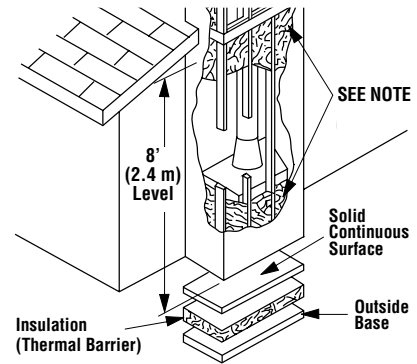


Figure 12A

## NOTES:

- Top heat shields must be installed during installation. They must first be removed so that the Chimney can be attached (screws) and then re-attached in either the flush installation position (as shipped), or in the recessed position (for proud installations)
- Adjustable stand-off and nailing flanges allow for 1/2" of adjustment front to back for desired installation. See Figure 12b.

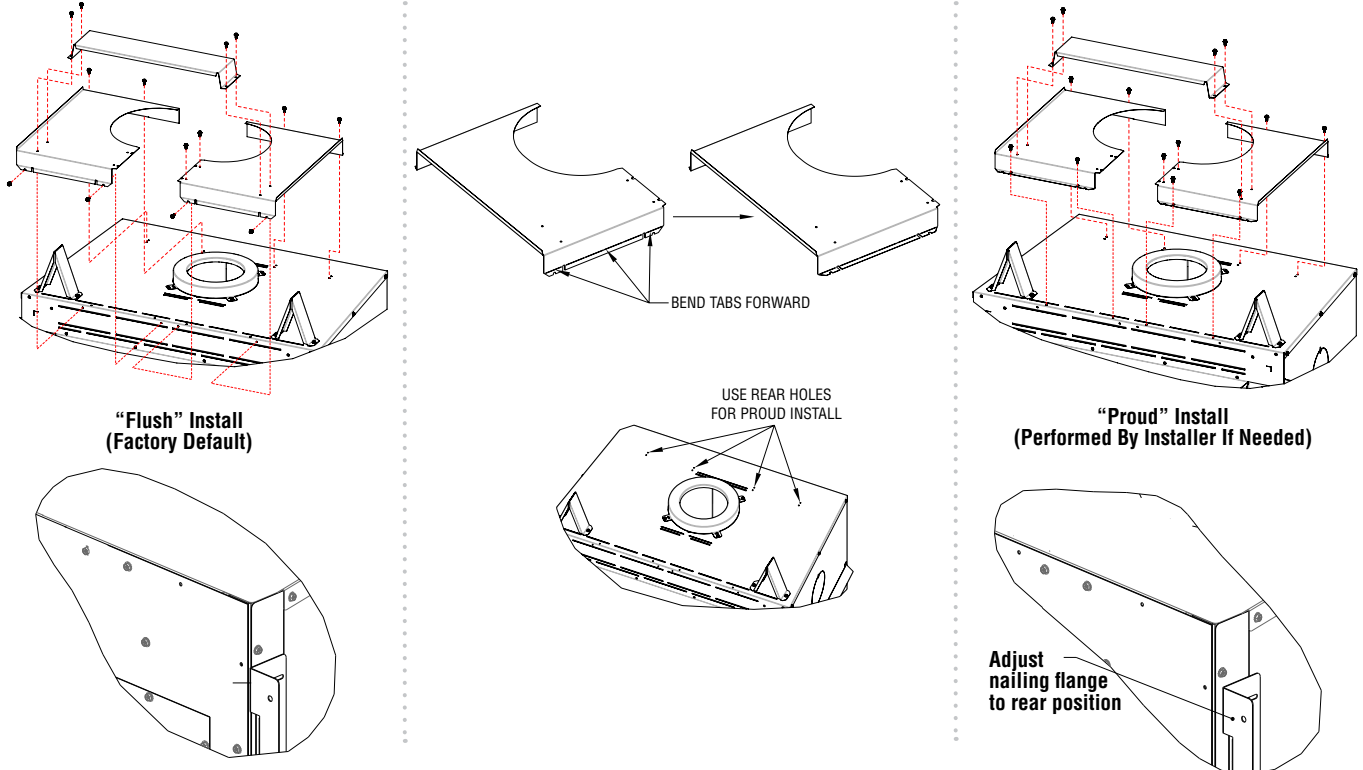
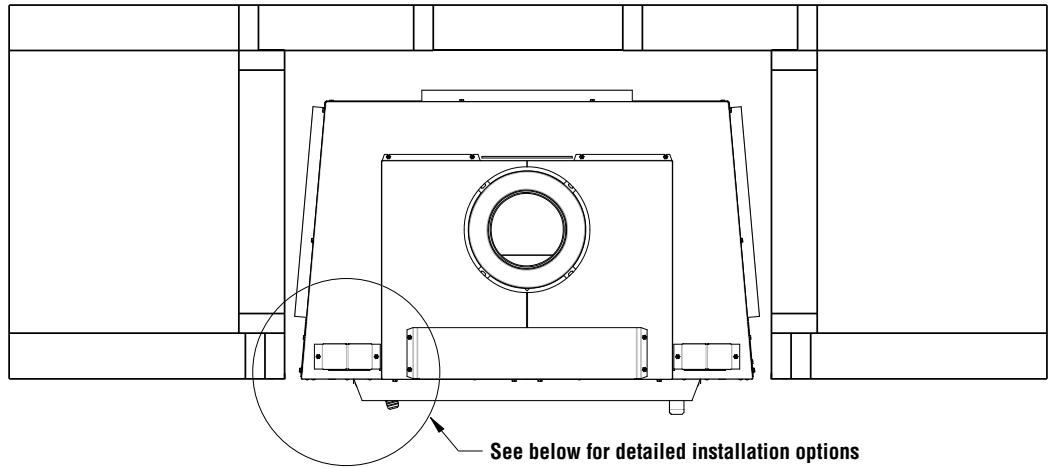
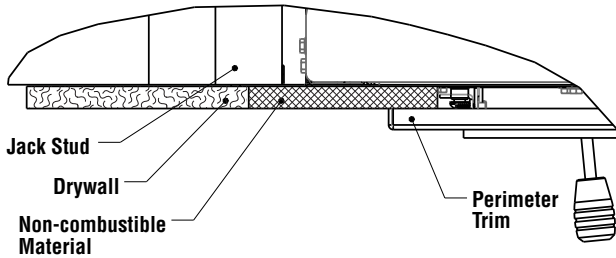


Figure 12B - Top Stand-Off Assembly And Nailing Flange Positions

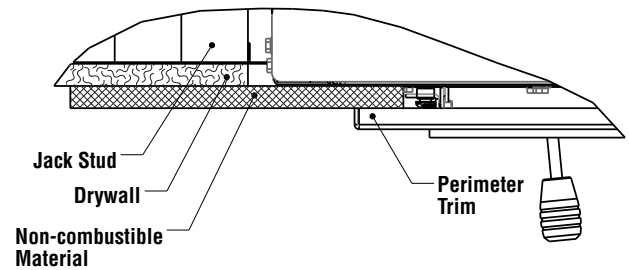
**The Perimeter Trim is designed to install over facing materials ranging from 1/2" to 1" thick. It can be used as a decorative surround or to reduce the need to finish facing material edge. If trim is to be used with facing materials exceeding 1", room must be left for the trim to install within the facing material around its perimeter.**



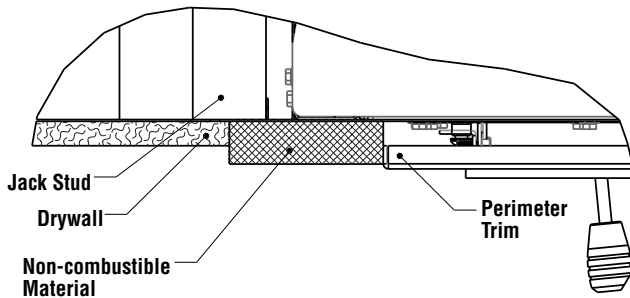
1. Standard flush install with non-combustible material behind trim.



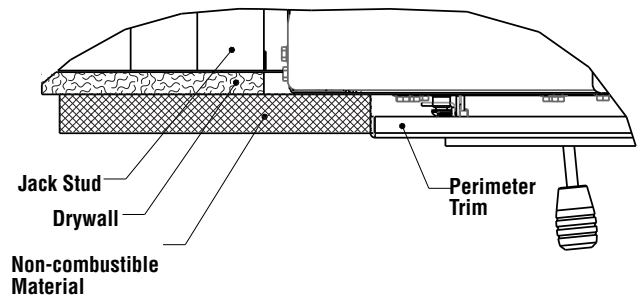
3. Proud install with non-combustible material behind trim.



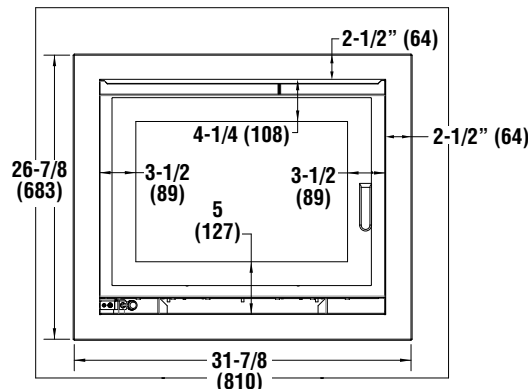
2. Standard flush install with non-combustible material flush with trim.



4. Proud install with non-combustible material flush with trim.



**PERIMETER TRIM DIMENSIONS**



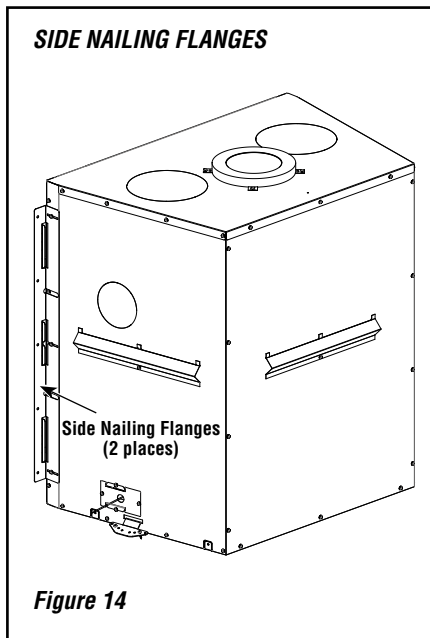
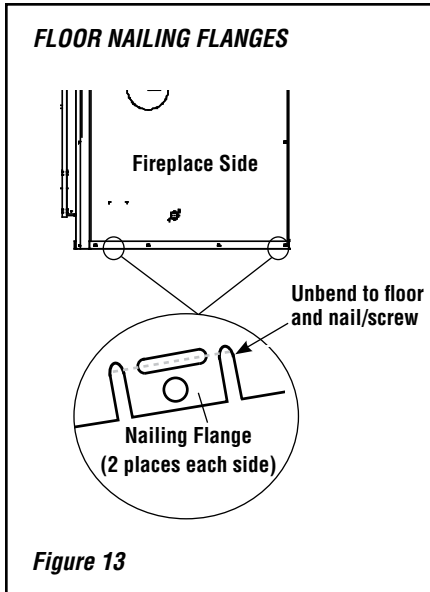
**Figure 12C - Installation Options**

Inches (millimeters)

## Nailing Flanges

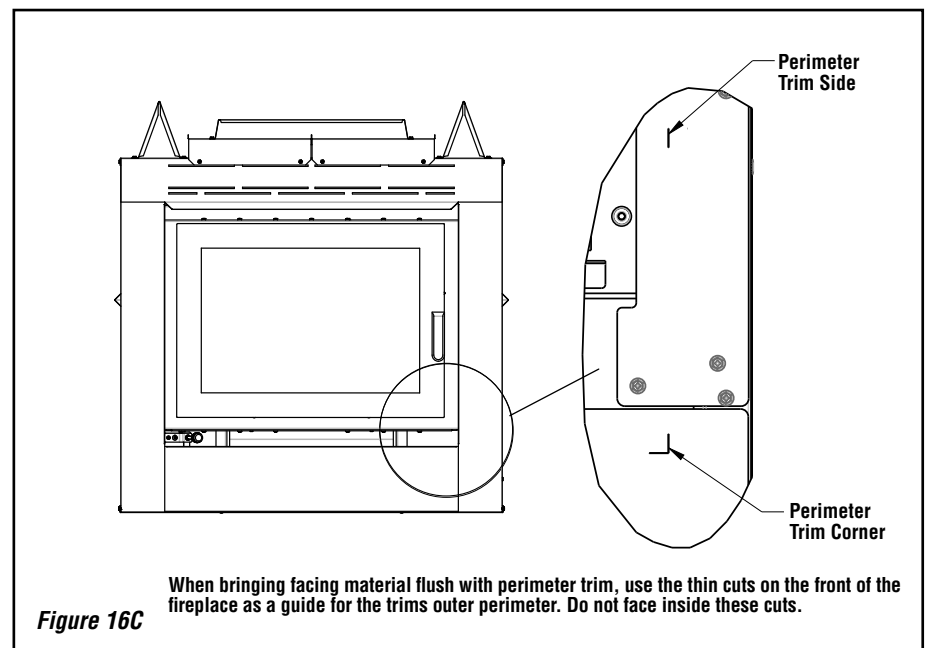
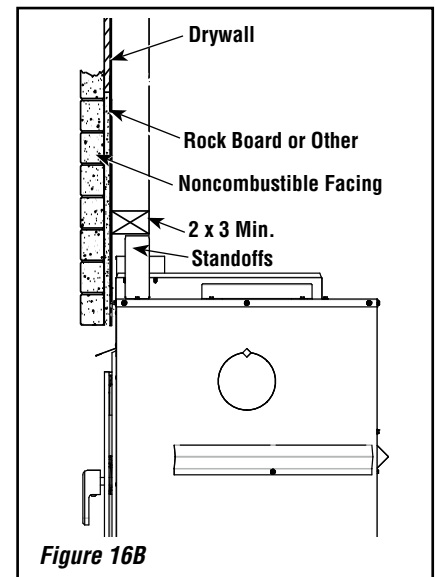
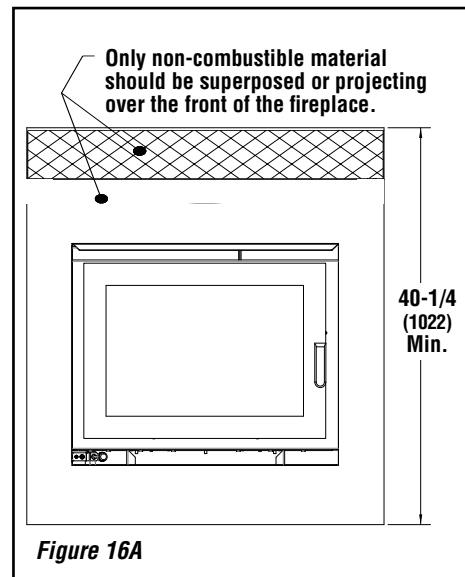
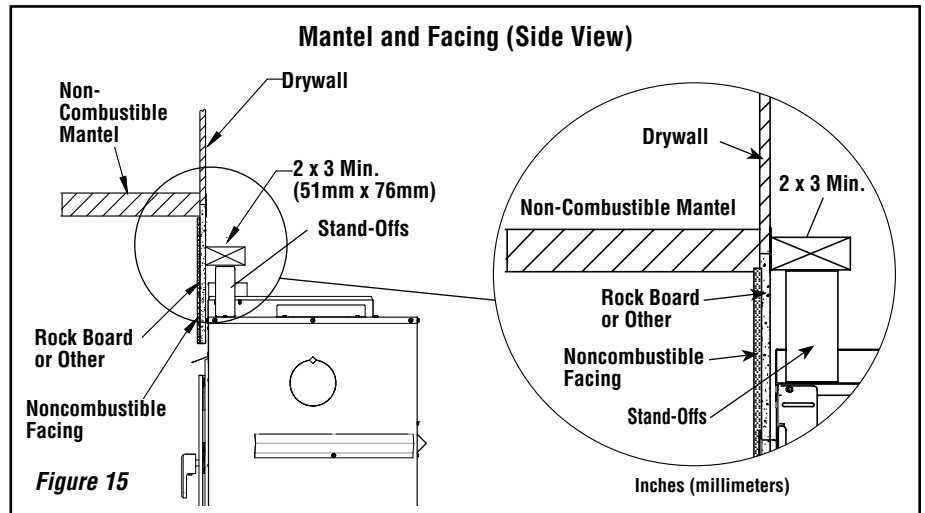
**FLOOR:** Four floor nailing flanges are provided to secure the fireplace to the floor (see **Figure 13**). Bend the nailing flanges down so that each flange is flush with the floor, then using nails or screws, secure the fireplace to the floor (2 places each side). The heads of the screws or nails must be large enough to completely cover the holes in the nailing flanges.

**SIDES:** Secure the sides of the fireplace to the side framing using the side nailing flange assemblies shown in **Figure 14**.



## Mantel and Facing

Any mantel must be constructed of non-combustible material.



NOTE: DIAGRAMS & ILLUSTRATIONS ARE NOT TO SCALE.



## FIREPLACE BLOWER

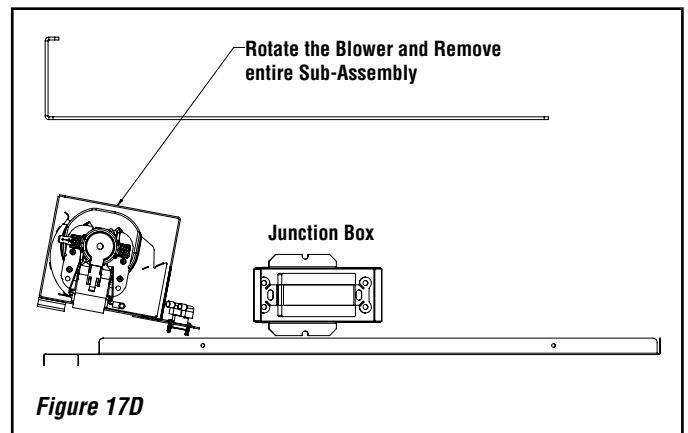
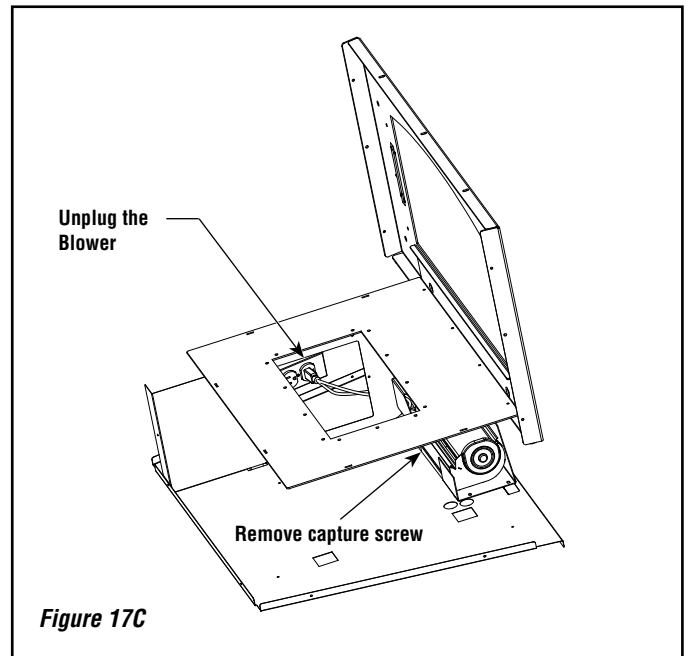
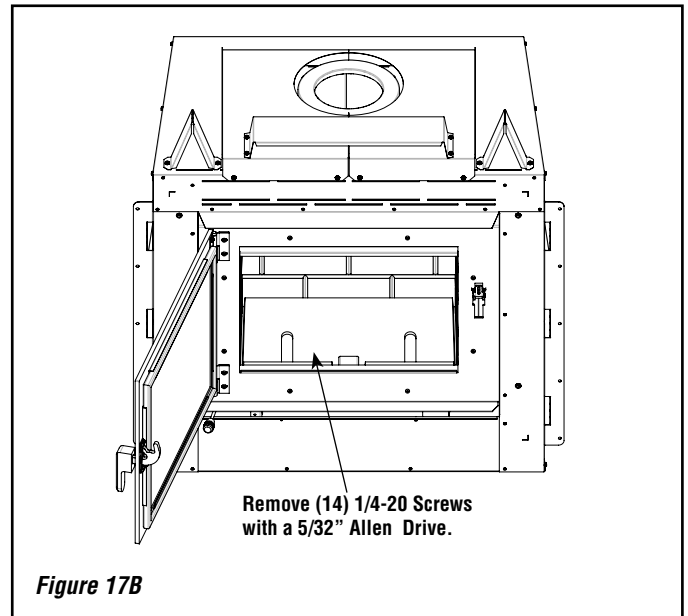
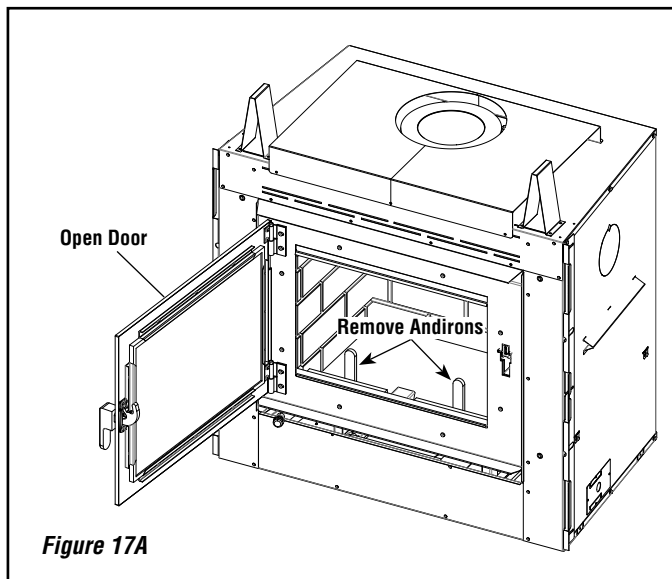
The fireplace comes equipped with a heat activated blower. It is located in the bottom of the fireplace, towards the front. It uses 120V and must be connected to the main electrical circuit by a qualified electrician. For connection, use the electrical box supplied with the unit located on the bottom right corner of the fireplace.

If you wish to adjust the blower speed, the variable speed control (VRUW) provided must be installed in line with the wiring (**Figure 18**). Again, use a qualified electrician for installation.

If the blower requires servicing:

1. De-energize the power to the unit at its source.
2. Open the door (**Figure 17A and 17B**).
3. Remove both andirons from inside the firebox (**Figure 17A**).
4. Remove the bottom refractory panels (*pieces 1 and 2, Figure 6, Page 8*). Remove the 14 Cap screws with a 5/32" Allen Key (*see Figure 17B*).
5. Remove the blower access panel heat shield.
6. Unplug the blower (**Figure 17C**). The heat shield on the right side can be lifted up to access the electrical outlet.
7. Remove the 5/16" hex head capture screw located at the front of the blower assembly (**Figure 17C**).
8. The blower is located at the front of the unit; magnets on the bottom of the assembly are captured on tabs that extend down through the bottom insulation shield.
9. Rotate the blower forward and remove it from underneath the firebox (**Figure 17D**). Disconnect the insulated quick connects from the motor terminals and attach to the new motor assembly. Re-install in reverse order.

**NOTE:** The temperature snap disc that is part of the blower assembly may be protruding through the heat shield on the bottom of the unit and partially into the insulation. This is the nominal location for the snap switch.



## Complete the Field Wiring

Electrical connections and operation verification must be done prior to installing finishing materials on the fireplace face.

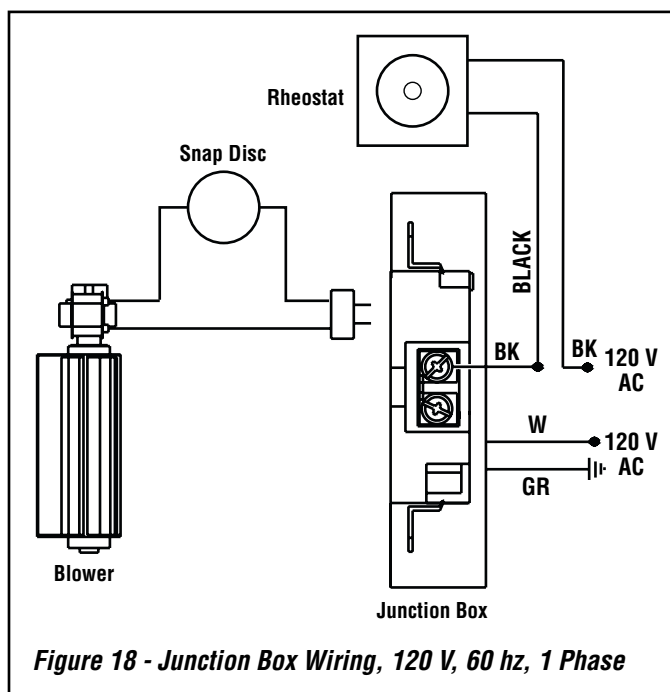
### Verify proper operation after servicing.

**NOTE:** Electrical wiring must be connected to the main electrical circuit.

**NOTE:** The junction box is located on the right side of the fireplace.

### Wire the Fireplace

1. Route a 3-wire, 120 Vac, 60 Hz, single phase unswitched power supply to the fireplace junction box. If using a variable speed control, then wire main power supply to variable speed control first, then wire from there to the fireplace junction box.
2. Remove the electrical inlet cover plate from the outside of the unit by removing the plate securing screws.
3. Feed the power supply wires through the strain relief in the cover plate and into the unit junction box.
4. Connect the black power supply wire and the power outlet black lead wire together. Connect the white power supply wire and the power outlet white lead wire together (**Figure 18**).
5. Connect the ground supply wire to the green lead wire attached to the outlet's green ground screw (**Figure 18**). Restrain the inlet power lead per NEC or local codes.
6. After the wiring is complete, replace the cover plate.



**Figure 18 - Junction Box Wiring, 120 V, 60 Hz, 1 Phase**

## OUTSIDE AIR KIT

It is mandatory to install an outside air connection to the wood burning fireplace. The following components are required and are included with the fireplace:

- Outside air kit (includes 4 inch flex that goes up to ten (10) feet long)
- 4" Adaptor for fireplace connection

The outside air assembly must be installed according to the following requirements:

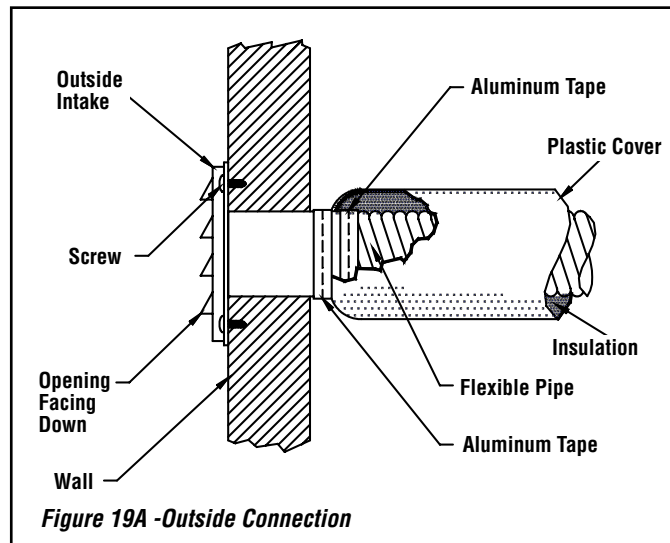
### Outside Air Installation

The outside air assembly may be installed according to the following requirements:

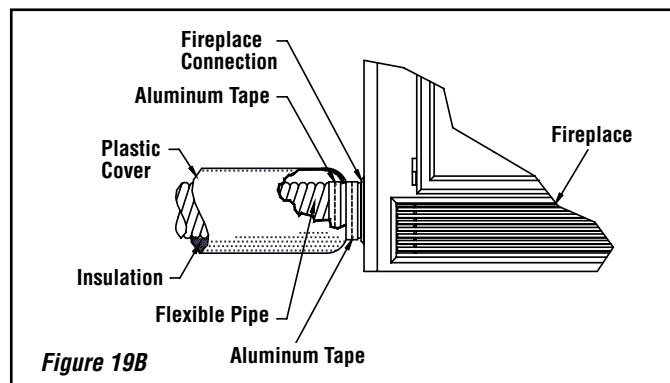
- A) Duct length should be kept to a minimum. The maximum length of a 4" interior diameter (100 mm) insulated flexible duct is twenty (20) feet (6.1 m). (See note below).
- B) The air intake register must not be installed more than ten (10) feet (3050 mm) above the base of the fireplace.
- C) The fresh air must come from outside the house. The air intake must not draw air from the attic, basement or garage.
- D) The air intake should be installed where it is not likely to be blocked by snow or exposed to extreme wind and away from automobile exhaust fumes, gas meters and other vents.
- E) The duct and register may be installed above or below floor level.

Make a 4-1/4" (110 mm) hole in the outside wall of the house at the chosen location. From outside, place the outside air register in the hole (open side down) and fasten the register to the wall with screws as shown (see **Figure 19A**). Slip the pipe into the insulated sleeve. Place the insulated pipe over the register tube and over the fireplace's outside air connector (see **Figure 19B**). At each end, carefully pull back the insulation and plastic cover exposing the flexible pipe. Using the aluminium tape provided, wrap the tape around the joint between the flexible pipe and the air inlets. Carefully push the insulation and plastic cover back over the pipe. Using aluminium tape, fasten the plastic cover in place.

**NOTE:** We recommend not to exceed twenty (20) feet of 4" flexible pipe. If you require a longer length we recommend that you use a 5" diameter flexible pipe for the complete run up to thirty (30) feet and a 6" diameter pipe for a run of up to forty (40) feet.



**Figure 19A - Outside Connection**



**Figure 19B**

# UNITED STATES ONLY CHIMNEY INSTALLATION INSTRUCTIONS USING IHP SNAP PAK (SP)

UNITED STATES APPROVED VENTING SYSTEMS:

- 6" diameter chimney:** Model IHP Snap-Pak, including:
- Chimney lengths
  - Elbows (*where necessary*)
  - Associated components as per these installation instructions

## INSTALLATION THROUGH FLAT CEILING(S)

- Using framing lumber equal to ceiling joist size, frame ceiling opening as shown in **Figure 25** and **Table 3**.

Chimney Flue Diameter	
	6"
A	12-7/16"
B	12-7/16"

**Table 3**

If the area above the ceiling is an attic, go to step 5.

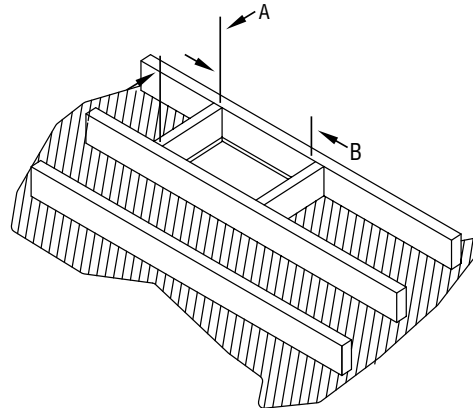
- Install SNAP-PAK chimney sections starting at the top of the appliance. Leave the first section loose until the installation is complete to allow the chimney to be rotated, easing the installation of any offsets if they are used. Secure subsequent sections by pushing together until stop-locked (see **Figure 26**).
- If IHP Elbows are to be used because the chimney is to be offset, refer to "Installation of Elbows" section. Directly above the Center of the flue in the ceiling support, mark the ceiling. A plumb bob is normally used to find the center. Cut an opening in the ceiling using **Figure 25** and **Table 3**.
- At each ceiling penetration, a firestop (SPFS) is required. Insert the SPFS into the joist area prepared in **Figure 25**.

**NOTE: When the chimney extends between floors-which can be occupied-the chimney must be enclosed to prevent contact. As previously noted, 2" minimum clearance to combustibles is to be maintained at all times.**

- The first chimney section through the joist area into attic is to be approximately two (2) feet. If the pipe sections in the attic are not enclosed, an insulation shield (SPIS) must be installed. Lower the insulation shield (SPIS) over the SP pipe until the SPIS flange is resting on the joist. Secure the SPIS in place by nailing the flange to the joist. See **Figure 27**. If the section within the attic area is to be chase enclosed, the SPIS is not required.

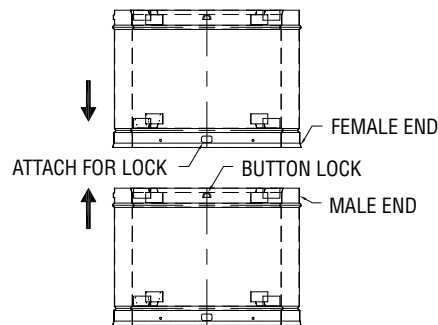
**WARNING: Do not place any type of insulation in the required clearance spaces surrounding the chimney.**

- Continue the chimney to the roof. See "Flashing Installation" and "Termination" sections.

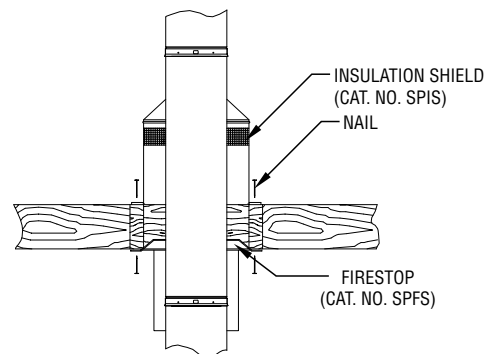


Framing lumber of equal size to the joist should be used.

**Figure 25**



**Figure 26**



**Figure 27**

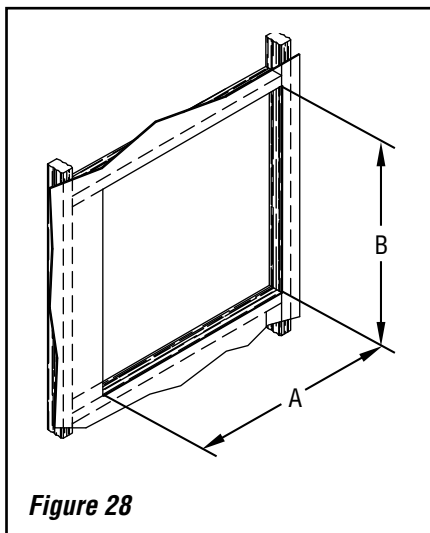
## INSTALLATION THROUGH A SIDE WALL

1. It is recommended that exterior mounted chimneys be enclosed below the roof line in geographical areas experiencing sustained low ambient temperatures to help reduce or limit condensation, creosote buildup and poor draft.
2. Locate the area where the chimney section is to penetrate the vertical wall studs. Cut and frame an opening so that the flue is centered between the vertical wall studs. Frame opening per **Figure 28** and **Table 4**.

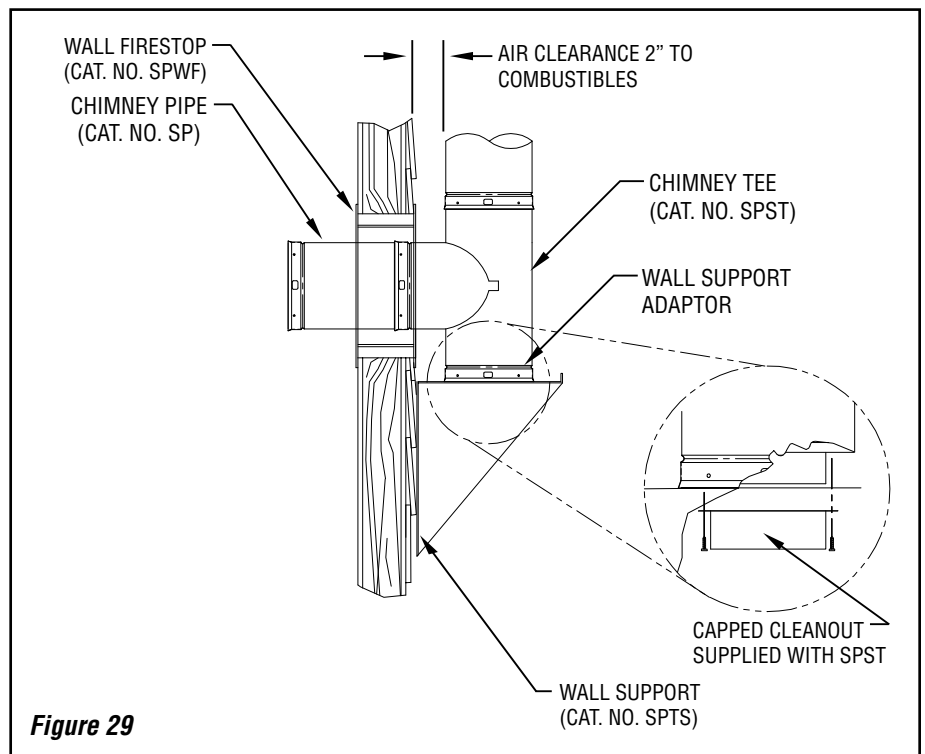
Chimney Flue Diameter	
	6"
A	12-7/16"
B	13"

**Table 4**

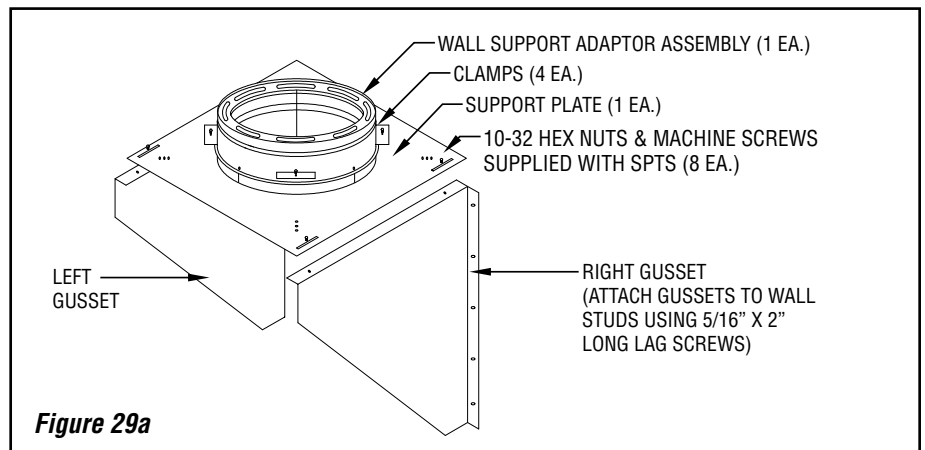
3. A 2-piece wall firestop (SPWF) must be installed in the framed opening from outside. The stainless portion is first installed from the outside of the opening. Push the remaining half through the opening from the inside until the plate is flush with stud. Use four (4) # 10 x 2-1/2" wood screws to attach opening (see **Figure 29**). Seal the outside plate with RTV sealant or similar.



**Figure 28**



**Figure 29**



**Figure 29a**

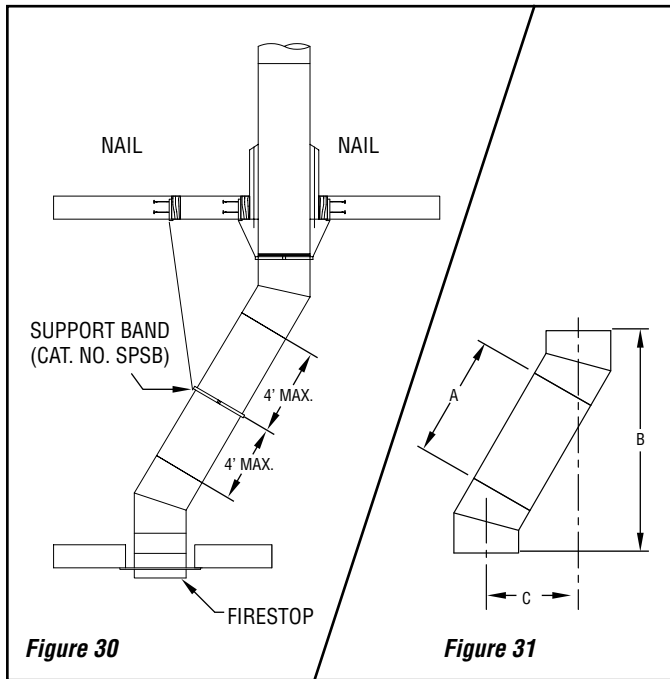
4. Remove the wall support adaptor pieces from the SPTS box and attach the adaptor to the bottom of the tee by inserting it into the bottom of the tee and push to lock.
5. Push the side portion of the tee into the opening in the wall firestop.
6. Assemble the right and left gussets to the support plate using the hardware provided.
7. Attach wall support plate to wall support adaptor using 4 clamps provided. Do not tighten. (See **Figure 29a**).
8. Align the wall support with the wall and secure it to the wall studs using 5/16" x 2" lag screws (not provided). **DO NOT SECURE TO SIDING**. For masonry walls, use 5/16" x 2" masonry lag bolts.
9. Install the tee cap to the bottom of the wall support adaptor with a minimum of two (2) #10 x 1/2" sheet metal screws.
10. Position the tee and the adaptor on wall support to maintain 2" clearance to combustibles. AT THIS POINT TIGHTEN CLAMPS.
11. Slide IHP chimney pipe into top of tee. Align male and female ends. Push down on pipe sections until locked. As sections are added, it will be necessary to secure them to the outside wall with bands (SPWB) at eight foot intervals and 2" from combustibles. Wall Bands (SPWB) are secured to the chimney by placing band around the chimney and tightening clamping bolt. The assembly is anchored to the wall studs (not the siding) with 5/8" x 2" lag bolts. To complete the chimney installation, see "Flashing Installation" and "Termination" sections.

NOTE: DIAGRAMS & ILLUSTRATIONS ARE NOT TO SCALE.

## ELBOW INSTALLATION

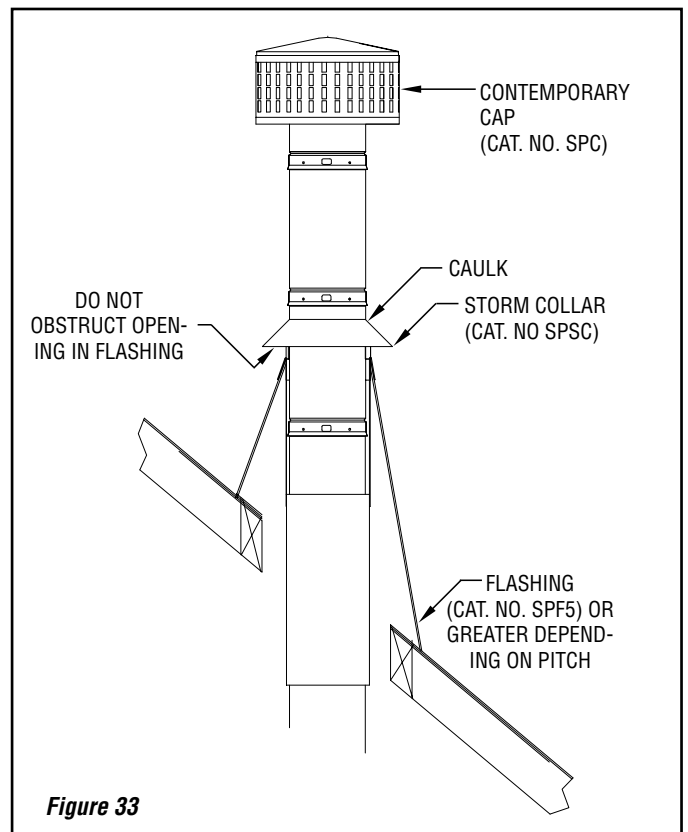
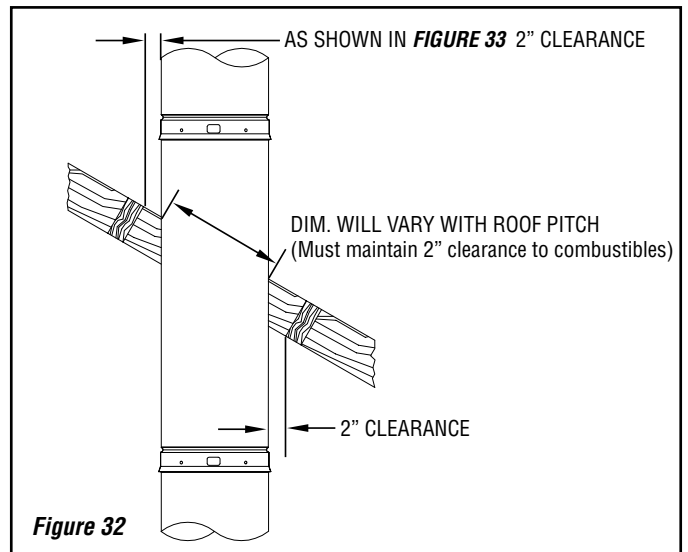
1. IHP provides a 15° (SPSE15) and 30° (SPSE30) Elbow to allow chimneys to avoid framing members or roof peaks. A maximum of 30° from the vertical is allowed, and a total of four elbows (two pair) for each chimney installation. Maintain 2" clearance to combustibles.
2. Attach the elbow(s) to the chimney pipe or other support part and push to lock. Using the offset chart, add chimney sections between the elbows. A support band (SPSB) is required at the upper elbow of the pair to support the load, as shown in **Figure 30**. Attach the upper elbow to bring the chimney back to vertical.

Offset combinations: see **Table 5** and illustration, **Figure 31**.



## FLASHING INSTALLATION

1. Continue the SP chimney to the roof. Cut the roof opening, centered over the chimney. A 2 inch-airspace around the chimney is required as it penetrates the roof. The size of hole in the roof will vary depending on the roof pitch.
2. Install the next SP chimney section through the roof. See **Figure 32**.  
**NOTE:** If your roof is already shingled, be sure to slide the upper edge under the shingles to prevent leakage.
3. Install a bead of caulk around the pipe at the top edge of the flashing. Wrap the storm collar around the pipe and imbed the edge in the caulk to prevent leakage around the pipe.
4. Continue to install pipe sections until the proper termination height is reached. See termination section.



A		15° Angle		30° Angle	
Length	No. Pcs.	B	C	B	C
0	0	18-7/16"	2-1/4"	20-3/16"	5"
6"	1	22-13/16"	3-3/8"	24-1/16"	7-1/4"
12"	1	28-5/8"	4-15/16"	29-1/4"	10-1/4"
18"	1	34-3/8"	6-1/2"	34-7/16"	13-1/4"
24"	1	40-3/16"	8-1/16"	39-5/8"	16-1/4"
30"	2	44-1/2"	9-1/4"	43-1/2"	18-1/2"
36"	1	51-3/4"	11-3/16"	50-1/16"	22-1/4"
42"	2	56-1/8"	12-3/8"	53-15/16"	24-1/2"
48"*	1	63-3/8"	14-1/4"	60-7/16"	28-1/4"
54"*	2	67-3/4"	15-7/16"	64-3/8"	30-1/2"
60"*	2	73-1/2"	17"	69-1/2"	33-1/2"
66"*	2	79-11/16"	18-1/2"	74-3/4"	36-1/2"
72"*	2	85-1/2"	20-1/16"	79-15/16"	39-1/2"
78"*	3	89-7/16"	21-1/4"	83-13/16"	41-3/4"
84"*	2	96-11/16"	23-3/16"	90-5/16"	45-1/2"
90"*	3	102-3/8"	24-3/8"	94-3/16"	47-1/2"
96"*	2	108-1/4"	26-5/16"	100-11/16"	51-1/2"

**Table 5**

## TERMINATION

Many building codes specify a minimum chimney heights above the roof top. These specifications are summarized in what is known as the "Ten Foot Rule". This rule states:

If the horizontal distance from the side of the chimney to the peak of the roof is 10 feet or less, the top of the chimney must be at least 2 feet above the peak of the roof, but never less than 3 feet in overall height above the highest point where it passes through the roof (**Figure 34**).

If the horizontal distance from the side of the chimney to the peak of the roof is more than 10 feet, a chimney height reference point is established on the surface of the roof a distance of 10 feet from the side of the chimney in a horizontal plane. The top of the chimney must be at least 2 feet above this reference point, but never less than 3 feet in height above the highest point where it passes through the roof (**Figure 35**).

These chimney heights are necessary in the interest of safety and do not ensure smoke free operation. Trees, buildings, adjoining roof lines, adverse wind conditions-etc., may create a need for a taller chimney, should smoking occur.

Additional support is required above the roof if the chimney height exceeds four (4) feet.

Select the proper support for your application-using either a roof brace (**Figure 36**), or a support band with guy wires (**Figure 37**)

## SP ROOF BRACE INSTALLATION

1. Assemble the attachment support band (SPSB) around the chimney, and clamp it in place at the desired height using the nut and bolt provided.
2. Loosely attach the support legs to the bolts on the attachment band using hardware provided.
3. Position the support legs as shown in **Figure 36**. The length of the support legs can be adjusted by loosening the bolt on the leg clamp.
4. Secure legs to roof using screws provided. Seal screw holes to prevent roof leaks.
5. Tighten all hardware.

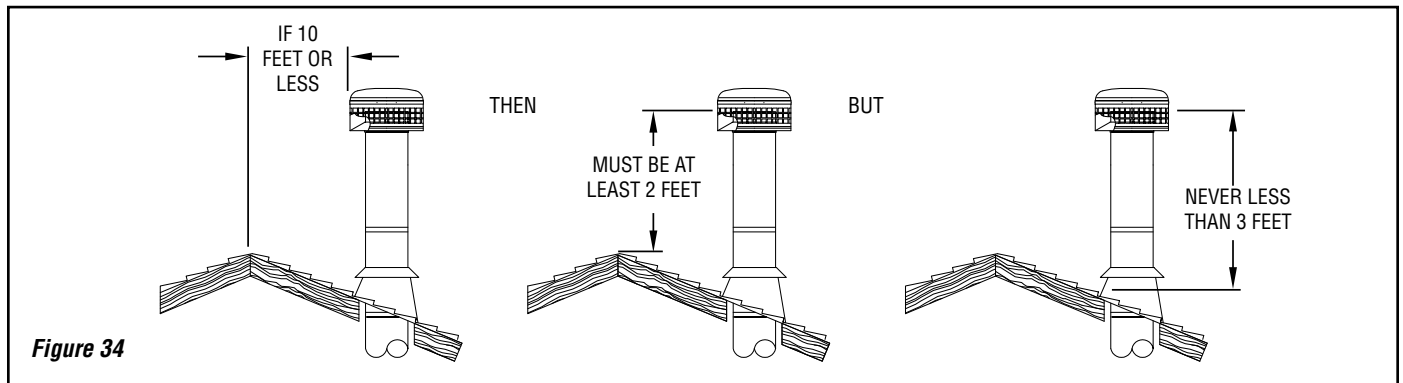


Figure 34

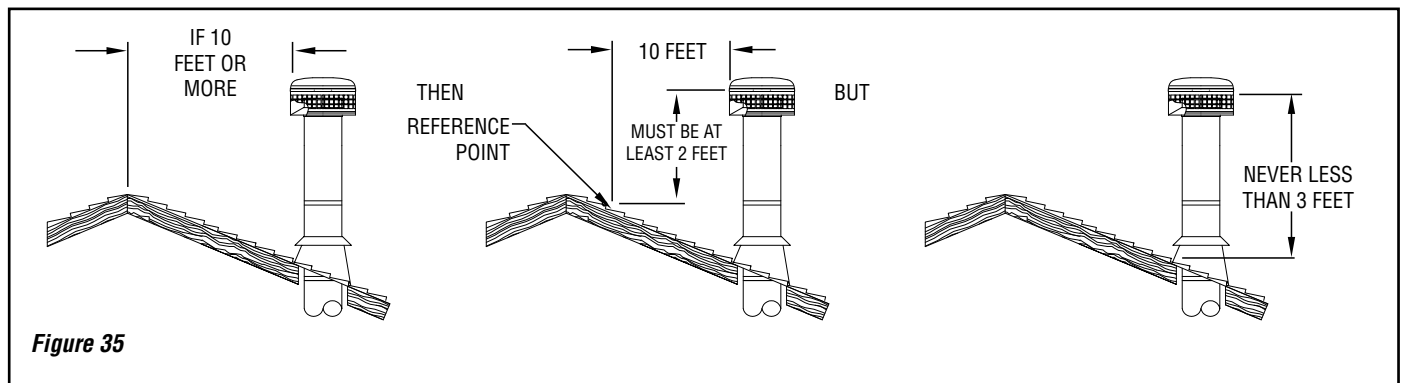


Figure 35

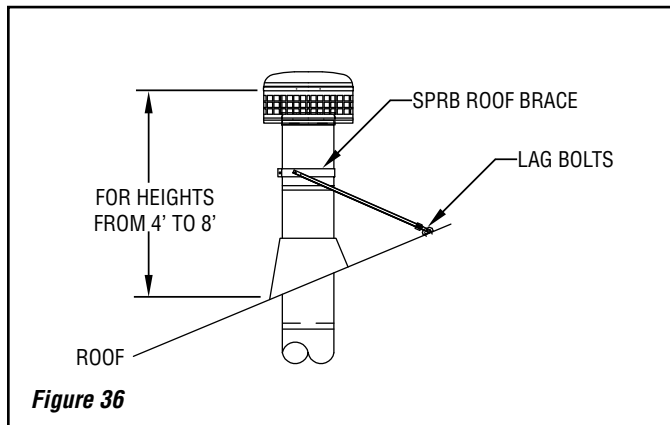


Figure 36

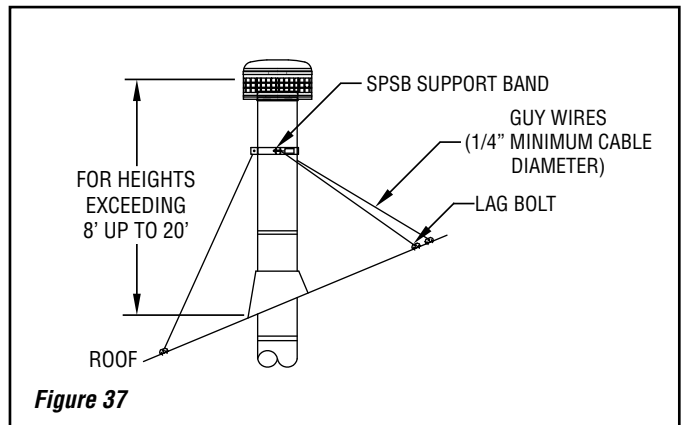


Figure 37



# CANADA ONLY CHIMNEY INSTALLATION INSTRUCTIONS

CANADA APPROVED VENTING SYSTEMS:

## 6" diameter chimney - Canada

Security Chimney: Secure Temp ASHT+ or S2100+, DuraVent: DuraTech Canada or Duratech Premium, including:

- Chimney lengths
- Elbows (*where necessary*)
- Associated components as per these installation instructions and instructions provided by the venting Manufacturer

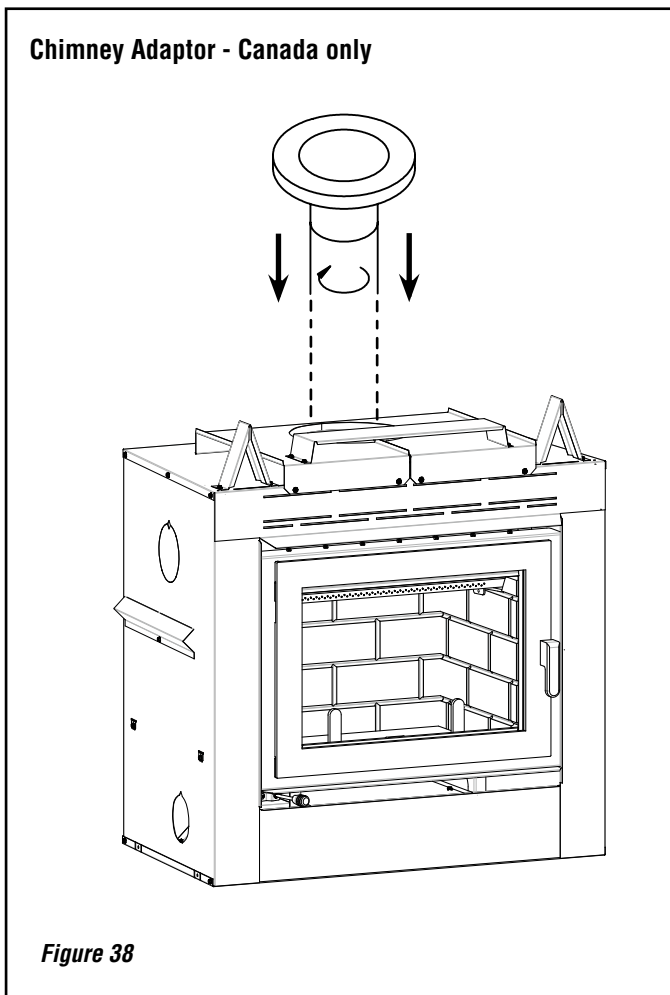
Reference the installation instructions provided by venting manufacturer.

## CHIMNEY ADAPTOR-CANADA ONLY

The fireplace is normally supplied with a chimney adaptor suitable for use with IHP SnapPak venting. In Canada, the use of Security Chimneys ASHT adaptor is required (Security part number 6IHP1\* or 6IHP2\*\*).

\* One inch wall

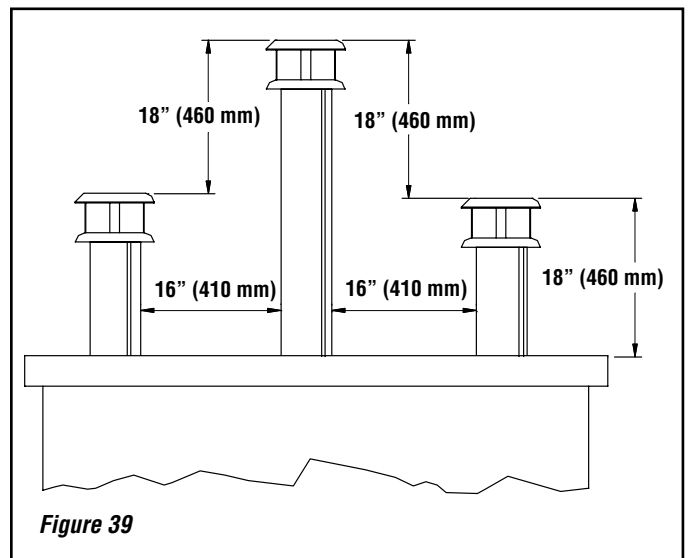
\*\* Two inch wall



## CHIMNEY CHASE AND MULTIPLE TERMINATIONS

For the purpose of this manual, a chimney chase is considered a part of the chimney system rather than part of a building. The termination must be placed a minimum of 18" (460 mm) above the chase.

For installations where more than one chimney is located in the same chase or within the same area, we suggest that their terminations be separated by at least 16" (410 mm) horizontally, and 18" (460 mm) vertically. This separation is to prevent smoke migrating from one chimney to another (see *Figure 39*).



**INSTALLATION INSTRUCTIONS FOR MASONRY APPLICATIONS FOR BOTH UNITED STATES AND CANADA**

**WARNING: Before starting the installation, the masonry chimney must be inspected by a qualified chimney sweep.**

The following requirements must be followed:

1. The chimney must be absolutely clear of any soot residue or creosote. Check for cracks, loose or missing bricks that could inhibit correct installation of the liner.
2. The clearance to combustibles must be a minimum of 1" between the outside of the masonry and any wood framing or loose insulation.
3. The chimney must be built in accordance with the current building code.
4. No other appliance can be connected to the same chimney.
5. The clearances to combustibles for these fireplace connectors are 2" on the side and bottom and 16" at the top.
6. The connector parts are not necessary if the connection between the insulated length and the stainless steel liner is done within the masonry chimney.

**Installation:**

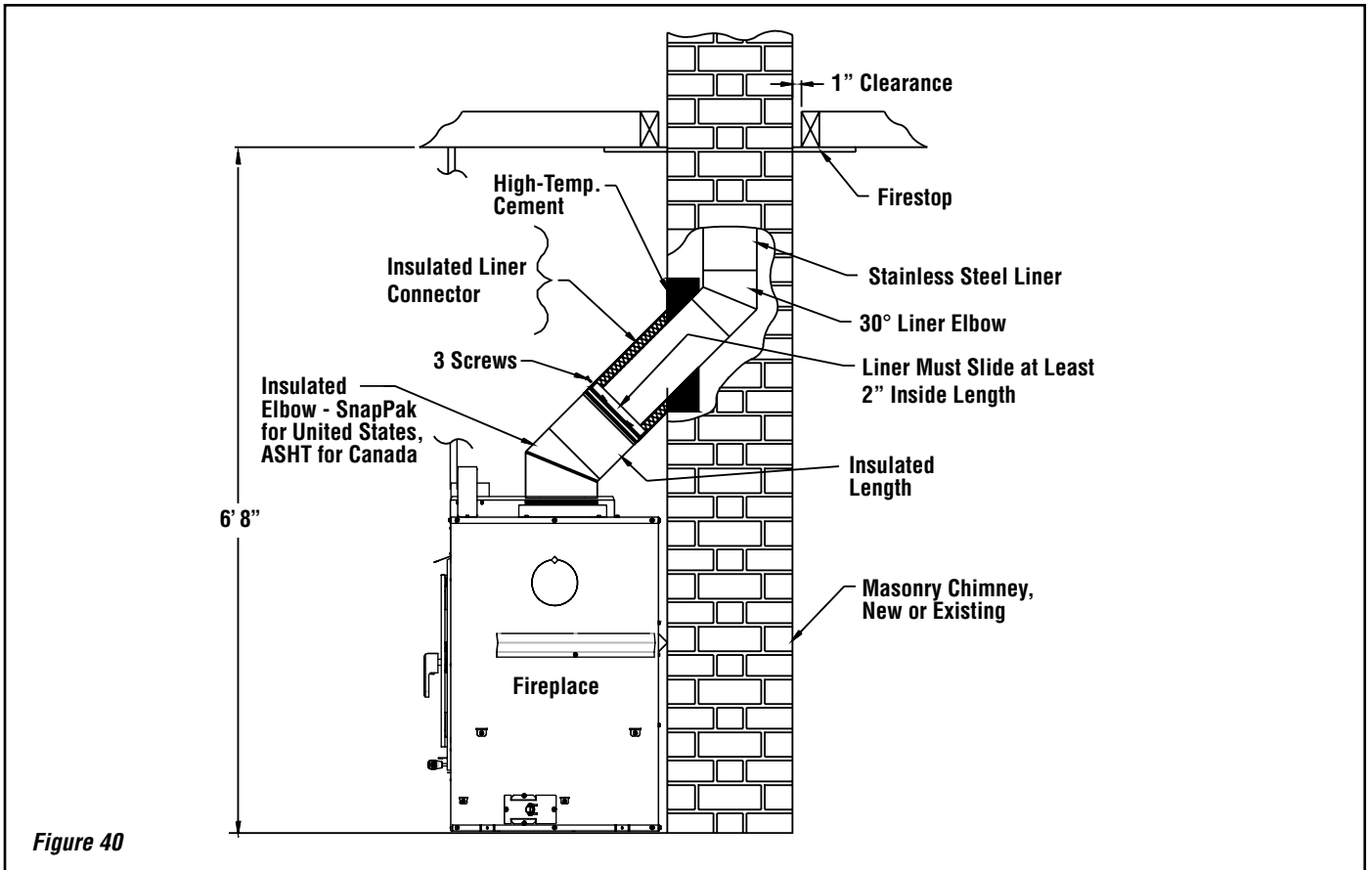
Rigid stainless liner or stainless flex must be used and listed to UL-1777 for US applications and ULC-S635 for existing masonry or ULC-S640M for new masonry applications in Canada. The steel rigid or flex liner must be rated at 2100° F (1100° C).

**Follow these steps:**

1. Position the fireplace in its location. Temporarily install the 30° insulated elbow on the top of the fireplace and, using a level, mark with an oval the location where the flue liner will enter the masonry chimney.
2. In the middle of the oval, drill a hole in the masonry chimney at 30°.
3. Increase the size of the hole until a 30° liner elbow can be easily slipped through.
4. Slide the liner down from the top of the masonry chimney until you reach the hole level.
5. Slip through the hole a 30° liner elbow and connect it to the liner.
6. Add a small liner section to the other end of the liner elbow which will allow the liner to extend at least 12" (measured at the top of the liner) from the masonry chimney.
7. Seal the opening around the liner with high temperature refractory cement.
8. The next steps must be done in the following order:

**See typical installation illustrated below (Figure 40).**

- A. Select the insulated pipe length that will fit between the 30° insulated elbow on top of the appliance and the exposed liner so that it will slide at least 2" over the liner section (You may need to cut the liner for a better fit).
- B. Take that section and attach the pipe to the insulated liner connector and slide it over the liner. Make sure you have enough opening to be able to install the elbow without difficulty.
- C. Install the 30° elbow on the fireplace.
- D. Slide the length section back down on the elbow and twist lock the two together.
- E. Pull the cover down over the length and install the insulation pad over the liner; be careful to cover the liner completely.
- F. Slide back the cover over the insulation and fix it in place using the 3 metal screws supplied.

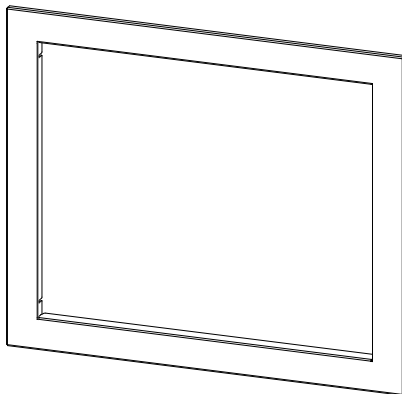


**Figure 40**

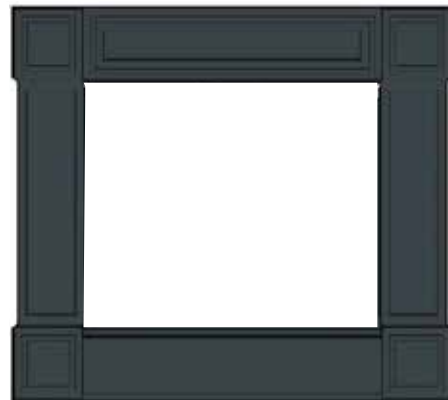
## OPTIONAL INSTALLATION ACCESSORIES

Installation Accessories	
Description	Cat./ Part No.
<b>Finishing Options (Order Separately)</b>	
Perimeter Trim Kit, Black	F4837
Cast Surround Kit	H7303
<b>Outside Air Kit (included with fireplace)</b>	
Outside Air Coupler To Connect Outside Air (UZI) To Fire- place, UZIAD	UZIAD
Outside Air Ducting - includes 4" insulated flex x 10' long, UZI	UZI

Fireplace Kits	
Description	Cat./ Part No.
<b>Central Forced Air Kit Accessories</b>	
Central Forced Air Kit, Central forced air kit including: blower (BISZY), flex adaptor (BISAF), 2 clamps, variable speed control (VRUW), thermo-disk (VTU), fan to flexible pipe adaptor (BISAVF), back draft damper (BISBD), aluminium tape, BISFWK-1	BISFWK-1
Flexible pipe 5" I.D. x 15 ft. Long, 5FLEX15	5FLEX15
Flexible pipe 5" I.D. x 30 ft. Long, 5FLEX25	5FLEX25
Heating and cooling thermostat, 24V, HCTW	HCTW



**Perimeter Trim**



**Cast Surround**

### FINISHING OPTIONS

## REPLACEMENT PARTS LIST

Ladera-D Replacement Parts	
Description	Cat. No.
Blower Assembly, Single	F3866
Blower Wiring Harness	F4801
Blower motor speed control (wall mount), VRUW	VRUW
Snap Switch, 110°-20°	H8682
Baffle Board Kit	F4840
Back refractory	PR-SR2826
Right side refractory	PR-SR2827
Left side refractory	PR-SR2828
Bottom refractory	PR-SR2825
Door handle	F3618
Door, Complete Black	F3619
Ceramic Glass	PR-SR2889
Secondary Air Tubes (set of 3)	F4839
Andiron (2 pieces)	PR-SR2897
Gasket, Glass	PR-SR1685H
Gasket, Door	PR-SR18230
Touch-up Paint, Aerosol, Black Metallic SBMB6309	H8159
Coupler, Outside Air (connects UZI to fireplace)	UZIAD
Blower 250 CFM for central forced air kit, BISZY	BISZY
Blower to flexible pipe adaptor, BISAVF	BISAVF
Backdraft Damper, BISBD	BISBD
Fireplace to Flex adaptor and 2 clamps, BISAF	BISAF
Metal Fab Collar and Sleeve	F4190
Door Catch Assy w/ Hardware	F4838

Contact an IHP dealer to obtain any of these parts. Never use substitute materials not approved by IHP. Use of non-approved parts can result in poor performance and safety hazards.

### SPECIFICATIONS

Cat. No.	Model No.
F4808	Ladera-D

Model	Emission Rate	Heat Output	EPA Estimated Efficiency
Ladera-D	1.7 g/hr	12,000-53,300 btu/hr	60%

**CANADA: Security Chimney: Secure Temp ASHT+ or S2100+, DuraVent: DuraTech Canada or Duratech Premium**

Contact your Security Chimneys or DuraVent Distributor or Dealer for ordering information.

Security Chimneys® 2125 Monterey, Laval, Quebec Canada, H7L 3T6 securitychimneys.com	450-973-9999 1-800-361-4909 (USA) 1-800-667-3387 (Canada)
---	---

Product Reference Information	
Weight	215 lbs
Height	37-3/4"
Width	36"
Depth	22-3/8"
Firebox W x H x D - measured in front	19-1/2" x 13-1/4" x 12"

## IHP SNAP-PAK CHIMNEY (USA) - PARTS AND COMPONENTS LISTS

The components listed below must be ordered from IHP. Contact your IHP Distributor or Dealer for ordering information.

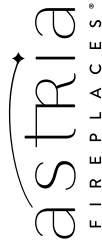
6" Snap-Pak Chimney		
Snap-Pak 6" Wood-Burning Chimney Lengths and Fittings (6" Inner Diam. - 9" Outer Diameter). Listed to UL103HT (2100° Intermittent, 1000° Continuous)		
Description	Model	Cat. No.
6" SS Chimney Length (2pk)	6SPS6-2	F3966
12" SS Chimney Length (2pk)	6SPS12-2	F3967
18" SS Chimney Length (2pk)	6SPS18-2	F3968
24" SS Chimney Length	6SPS24	F3969
36" SS Chimney Length	6SPS36	F3970
48" SS Chimney Length	6SPS48	F3971
15° SS Elbow (2pk)	6SPSE15-2	F3972
30° SS Elbow (2pk)	6SPE30-2	F3973
Firestop Spacer	6SPFS	F3974
Insulation Shield	6SPIS	F3975
Flat Flashing	6SPFF	F3976
2/12-5/12 Flashing	6SPF5	F3977
6/12-10/12 Flashing	6SPF10	F3978
Roof Brace	6SPRB	F3980
Storm Collar	6SPSC	F3981
Round Cap with Spark Arrester	6SPC	F3982
Non-Insulated Wall Firestop	6SPWF	F3983
Adjustable Support	6SPAS	F3984
Wall Band	6SPWB	F3985
Support Band	6SPSB	F3986

**SAFETY / LISTING LABEL  
LADERA-D**



Report No. / Rapport n°  
14-181

**LISTED FACTORY BUILT FIREPLACE  
FOYER PRÉFABRIQUE HOMOLOGUÉ**



Manufactured by / Fabriqué par:  
**INNOVATIVE HEARTH PRODUCTS**  
1502 14th St. NW  
Auburn, WA 98001 USA

Serial No. [ ]  
Numéro de série

Model / Modèle: **LADERA-D**

Conforms to / Conforme au : **UL STD 127**  
Certified to / Certifié au : **ULC STD S610**

**U.S. ENVIRONMENTAL PROTECTION AGENCY**

EPA certification test emission value 1.7 g/hr per 2020 NSPS (cordwood)  
Valeur d'émission du test d'homologation 1,7 g/h selon la norme 2020 NSPS

**CLEARANCES TO COMBUSTIBLES:**

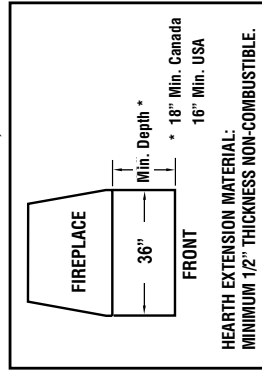
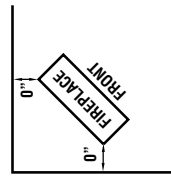
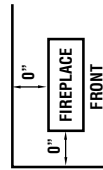
SIDE WALL (FROM FIREBOX OPENING)	24 in. (610 mm)	MUR LATÉRAL (À PARTIR DE L'OUVERTURE DE LA CHAMBRE DE COMBUSTION)	24 po. (610 mm)
FRAME HEIGHT OPENING	37-3/4 in. (959mm)	OUVERTURE HAUTEUR DU CADRE	37-3/4 po. (959mm)
BACK WALL (FROM STANDOFFS)	0 in. (0 mm)	MUR ARRIÈRE (À PARTIR DES ENTRETOISES DE DÉGAGEMENT)	0 PO. (0 MM)
CEILING HEIGHT (FROM BASE OF FIREPLACE)	6 ft. 8 in. (2032 mm)	AU-DESSUS DU FOYER (À PARTIR DE LA BASE DU FOYER)	6 pi. 8 po. (2032 mm)
CHIMNEY	2 in. (51 mm)	CHEMINÉE	2 po. (51 mm)

**DÉGAGEMENTS AUX COMBUSTIBLES:**

MUR LATÉRAL (À PARTIR DE L'OUVERTURE DE LA CHAMBRE DE COMBUSTION)	24 po. (610 mm)
OUVERTURE HAUTEUR DU CADRE	37-3/4 po. (959mm)
MUR ARRIÈRE (À PARTIR DES ENTRETOISES DE DÉGAGEMENT)	0 PO. (0 MM)
AU-DESSUS DU FOYER (À PARTIR DE LA BASE DU FOYER)	6 pi. 8 po. (2032 mm)
CHEMINÉE	2 po. (51 mm)

**MINIMUM CLEARANCES TO FINISHED FRAMED OPENING, IN INCHES**

NOTE: Dimensions are to the standoffs



Date of Manufacture / Date De Fabrication

2022	2023	2024	JAN	FEB	MAR	APR	MAY	JUN	JUL	AUG	SEP	OCT	NOV	DEC
■	■	■	■	■	■	■	■	■	■	■	■	■	■	■

- USE WOOD FUEL ONLY
- ANON-COMBUSTIBLE HEARTH EXTENSION MUST BE INSTALLED AT FRONT OF UNIT EXTENDING 18 IN. (457 MM) IN CANADA (OR 16 IN. USA) AND 36" (914 MM) WIDE MINIMUM.
- ANY MANTEL MUST BE NON-COMBUSTIBLE
- WARNING: THIS FIREPLACE HAS NOT BEEN TESTED WITH UN-VENTED GAS LOG SET. TO REDUCE RISK OF FIRE OR INJURY DO NOT INSTALL AN UNVENTED GAS LOG SET INTO THE FIREPLACE.
- ELECTRICAL RATING: 120 V, 60 Hz
- CHIMNEY TYPE: USE ONLY WITH 6 IN. DIAMETER - USA: IHP SNAP-PAK; CAN: SECURE TEMP ASHT+ OR S2100+, DURATECH CANADA OR DURATECH PREMIUM.
- CAN BE CONNECTED TO A MASONRY CHIMNEY AS DESCRIBED IN THE INSTALLATION INSTRUCTIONS.
- COMPONENTS USED WITH THE FIREPLACE MUST BE LISTED. SEE LIST IN THE INSTALLATION INSTRUCTIONS.
- REPLACE GLASS WITH CERAMIC GLASS 5 mm THICK.
- FOR SAFE OPERATION INSTALL IN ACCORDANCE WITH THE MANUFACTURER'S INSTRUCTIONS.
- CAUTION: COMBUSTION AIR OPENING MUST NOT BE OBSTRUCTED.
- DO NOT OVERFIRE THE FIREPLACE.
- OPERATE THE FIREPLACE WITH DOOR FULLY CLOSED ONLY.
- DO NOT USE A FIREPLACE INSERT OR OTHER PRODUCTS NOT SPECIFIED FOR USE WITH THIS PRODUCT.
- CONTACT YOUR LOCAL BUILDING OR FIRE OFFICIALS ABOUT RESTRICTIONS AND INSTALLATION INSPECTIONS IN YOUR AREA.
- SEE IHP INSTALLATION AND OPERATING INSTRUCTIONS FOR THIS MODEL.
- KEEP FURNISHINGS AND OTHER COMBUSTIBLE MATERIALS A CONSIDERABLE DISTANCE AWAY FROM APPLIANCE.
- THIS WOOD HEATER NEEDS PERIODIC INSPECTION AND REPAIR FOR PROPER OPERATION. CONSULT THE OWNER'S MANUAL FOR FURTHER INFORMATION. IT IS AGAINST FEDERAL REGULATIONS TO OPERATE THIS WOOD HEATER IN A MANNER INCONSISTENT WITH THE OPERATING INSTRUCTIONS IN THE OWNER'S MANUAL.
- INSTALL AND USE ONLY IN ACCORDANCE WITH THE MANUFACTURER'S INSTRUCTIONS AND LOCAL BUILDING CODES.
- SPECIAL METHODS ARE REQUIRED WHEN PASSING THROUGH A WALL OR CEILING. SEE INSTRUCTIONS AND BUILDING CODES.
- PREVENT CREOSOTE FIRE: INSPECT CHIMNEY CONNECTOR AND CHIMNEY FLUE MONTHLY AND CLEAN IF NECESSARY.
- DO NOT OVERFIRE. IF DOME OR CHIMNEY CONNECTOR GLOWS YOU ARE OVERFIRING.

- POUR USAGE AVEC LE BOIS SEULEMENT
- UN TABLIER NON COMBUSTIBLE DOIT ÊTRE INSTALLÉ À L'AVANT DE L'APPAREIL S'ÉTENDANT DE 18 "(457 MM) À L'AVANT ET AVOIR UNE LARGEUR D'AU MOINS 36" (914 MM).
- LES MANTEAUX DE CHEMINÉE DOIVENT ÊTRE NON COMBUSTIBLES.
- AVERTISSEMENT : CE FOYER N'EST PAS HOMOLOGUÉ POUR ÊTRE UTILISÉ AVEC UN ENSEMBLE DE BÛCHES À GAZ SANS CONDUIT D'ÉVACUATION. AFIN DE RÉDUIRE LES RISQUES D'INCENDIE OU DE BLESSURES, N'INSTALLEZ PAS DE BÛCHES À GAZ SANS CONDUIT D'ÉVACUATION À L'INTÉRIEUR DE CE FOYER.
- ALIMENTATION ÉLECTRIQUE: 120V, 60 Hz
- TYPE DE CHEMINÉE: UTILISER SEULEMENT AVEC 6 PO. DIAMÈTRE - ÉTATS-UNIS: IHP SNAP-PAK; CAN: SECURE TEMP ASHT + OU S2100 +, DURATECH CANADA OU DURATECH PREMIUM.
- PEUT ÊTRE RACCORDÉ SUR UNE CHEMINÉE DE MAÇONNERIE TEL QUE DÉCRIT DANS LE MANUEL D'INSTALLATION.
- LES COMPOSANTES UTILISÉES AVEC LE FOYER DOIVENT ÊTRE HOMOLOGUÉES. VOIR LA LISTE DANS LE MANUEL D'INSTALLATION.
- REMPLACER LA VITRE AVEC UN VERRE CÉRAMIQUE DE 5mm D'ÉPAISSEUR.
- POUR UNE UTILISATION SÉCURITAIRE, INSTALLER CONFORMÉMENT AUX DIRECTIVES DU FABRICANT.
- ATTENTION : NE PAS OBSTRUER LES ARRIVÉES D'AIR COMBURANT.
- NE PAS FAIRE SURCHAUFFER LE FOYER.
- LA PORTE DU FOYER DOIT DEMEURER TOTALEMENT FERMÉE LORSQUE LE FOYER FONCTIONNE.
- NE PAS UTILISER DE POÈLE ENCASTRABLE OÙ D'AUTRES PRODUITS NON SPÉCIFIÉS COMME ÉTANT UTILISABLES AVEC CE PRODUIT.
- CONTACTEZ LES RESPONSABLES DE VOTRE RÉGION À PROPOS DES RESTRICTIONS ET INSPECTIONS D'INSTALLATION.
- MAINTENIR LES MEUBLES ET AUTRES OBJETS À UNE DISTANCE SÉCURITAIRE DU FOYER.
- INSPECTE ET ENTRETIEN PÉRIODIQUEMENT POUR FONCTIONNER CORRECTEMENT. VOIR LE MANUEL DU PROPRIÉTAIRE POUR PLUS D'INFORMATION.
- L'UTILISATION DE CET APPAREIL DE CHAUFFAGE AU BOIS DE MANIÈRE INCOMPATIBLE AVEC LES INSTRUCTIONS DU MANUEL DU PROPRIÉTAIRE CONSTITUE UNE INFRACTION AUX RÉGULATIONS FÉDÉRALES.





# Innovative Hearth Products Astria® Brand EPA Wood Burning Fireplace Limited Lifetime Warranty

## THE WARRANTY

Innovative Hearth Products ("IHP") Limited Lifetime Warranty warrants your Astria® Brand EPA Wood Burning Fireplace ("Product") to be free from defects in materials and workmanship at the time of manufacture. The Product body, firebox and ceramic glass carry the Limited Lifetime Warranty. Ceramic glass carries the Limited Lifetime Warranty against thermal breakage only. After installation, if covered components manufactured by IHP are found to be defective in materials or workmanship during the Limited Lifetime Warranty period and while the Product remains at the site of the original installation, IHP will, at its option, repair or replace the covered components. If repair or replacement is not commercially practical, IHP will, at its option, refund the purchase price or wholesale price of the IHP product, whichever is applicable. IHP will also pay IHP prevailing labor rates, as determined in its sole discretion, incurred in repairing or replacing such components for up to five years. THERE ARE EXCLUSIONS AND LIMITATIONS to this Limited Lifetime Warranty as described herein.

## COVERAGE COMMENCEMENT DATE

Warranty coverage begins on the date of purchase. In the case of new home construction, warranty coverage begins on the date of first occupancy of the dwelling or six months after the sale of the Product by an independent IHP dealer/distributor, whichever occurs earlier. The warranty shall commence no later than 24 months following the date of product shipment from IHP, regardless of the installation or occupancy date.

## EXCLUSIONS AND LIMITATIONS

This Limited Lifetime Warranty applies only if the Product is installed in the United States or Canada and only if operated and maintained in accordance with the printed instructions accompanying the Product and in compliance with all applicable installation and building codes and good trade practices.

This warranty is non-transferable and extends to the original owner only. The Product must be purchased through a listed supplier of IHP and proof of purchase must be provided. The Product body and firebox carry the Limited Lifetime Warranty from the date of installation. Vent components, trim components and paint are excluded from this Limited Lifetime Warranty. The following do not carry a Limited Lifetime Warranty but are warranted as follows:

**Cast Iron Heat Exchanger** – Replacement for five years from the date of installation

**Cast iron parts** – Replacement for one year from the date of installation

**Catalyst** – Carries a separate warranty. Refer to the warranty certificate provided for that part

**Electrical components** – Repair or replacement for one year from date of installation

**Gaskets** – Replacement for one year from the date of installation.

**Gold & nickel plating** – Replacement for two years from date of installation. Excludes tarnishing

**Refractory & screens** – Replacement for two years from date of installation. Excludes hairline cracks

**Removable air tubes** – Repair or replacement for seven years from date of installation. IHP prevailing labor rates for years one through five.

**Labor coverage** – Prevailing IHP labor rates apply for the warranty period of the component, unless otherwise noted

**Parts not otherwise listed carry a 90 day warranty from the date of installation.**

**Whenever practicable, IHP will provide replacement parts, if available, for a period of 10 years from the last date of manufacture of the Product.**

IHP will not be responsible for: (a) damages caused by normal wear and tear, accident, riot, fire, flood or acts of God; (b) damages caused by abuse, negligence, misuse, or unauthorized alteration or repair of the Product affecting its stability or performance. (The Product must be subject to normal use with approved fuels listed in the Operation Manual provided with the product. Fuel products with abnormal burning characteristics, including but not limited to fuel such as driftwood, coal or plywood and wood products using a binder may burn at excessive temperatures and may cause damage to the Product or may cause it to function improperly; IHP stoves, inserts and high efficiency EPA fireplaces are approved for burning dry seasoned wood only.); (c) damages caused by failing to provide proper maintenance and service in accordance with the instructions provided with the Product; (d) damages, repairs or inefficiency resulting from faulty installation or application of the Product.

Coverage of this Limited Lifetime Warranty is conditional upon the appliance being operated without the use of grates, irons or any other method to elevate the fire.

IHP is not responsible for inadequate system draft caused by air conditioning and heating systems, mechanical ventilation systems, or general construction conditions which may generate negative air pressure in the room in which the appliance is installed. Additionally IHP assumes no responsibility for smoking conditions caused by inadequate chimney height, adjoining trees or buildings, adverse wind conditions or unusual environmental factors and conditions. Certain IHP Products are listed for use with Security Chimneys International, Ltd. chimney systems only. Use of chimney components other than that specified in the Product manual will void the Product warranty.

This Limited Lifetime Warranty covers only parts and labor as provided herein. In no case shall IHP be responsible for materials, components or construction which are not manufactured or supplied by IHP or for the labor necessary to install, repair or remove such materials, components or construction. Additional utility bills incurred due to any malfunction or defect in equipment are not covered by this Limited Lifetime Warranty. All replacement or repair components will be shipped F.O.B. from the nearest stocking IHP factory.

## LIMITATION ON LIABILITY

It is expressly agreed and understood that IHP's sole obligation and the purchaser's exclusive remedy under this warranty, under any other warranty, expressed or implied, or in contract, tort or otherwise, shall be limited to replacement, repair, or refund, as specified herein.

In no event shall IHP be liable for any incidental or consequential damages caused by defects in the Product, whether such damage occurs or is discovered before or after replacement or repair, and whether such damage is caused by IHP's negligence. IHP has not made and does not make any representation or warranty of fitness for a particular use or purpose, and there is no implied condition of fitness for a particular use or purpose.

IHP makes no expressed warranties except as stated in this Limited Lifetime Warranty. The duration of any implied warranty is limited to the duration of this expressed warranty.

No one is authorized to change this Limited Lifetime Warranty or to create for IHP any other obligation or liability in connection with the Product. Some states and provinces do not allow the exclusion or limitation of incidental or consequential damages, so the above limitations or exclusions may not apply to you. The provisions of this Limited Lifetime Warranty are in addition to and not a modification of or subtraction from any statutory warranties and other rights and remedies provided by law.

## INVESTIGATION OF CLAIMS AGAINST WARRANTY

IHP reserves the right to investigate any and all claims against this Limited Lifetime Warranty and to decide, in its sole discretion, upon the method of settlement.

To receive the benefits and advantages described in this Limited Lifetime Warranty, the appliance must be installed and repaired by a licensed contractor approved by IHP.

Contact IHP at the address provided herein to obtain a listing of approved dealers/distributors. **IHP shall in no event be responsible for any warranty work done by a contractor that is not approved without first obtaining IHP's prior written consent.**

## HOW TO REGISTER A CLAIM AGAINST WARRANTY

In order for any claim under this warranty to be valid, you must contact the IHP dealer/distributor from which you purchased the product. If you cannot locate the dealer/distributor, then you must notify IHP in writing. IHP must be notified of the claimed defect in writing within 90 days of the date of failure. Notices should be directed to the IHP Warranty Department at 1769 East Lawrence Street; Russellville, AL 35654 or visit our website at [WWW.ASTRIA.US.COM](http://WWW.ASTRIA.US.COM).

## WARRANTY

Your fireplace is covered by a limited warranty. Please read the warranty to be familiar with its coverage.

Retain this manual. File it with your other documents for future reference.

## PRODUCT REFERENCE INFORMATION

We recommend that you record the following important information about your fireplace. Please contact your IHP dealer for any questions or concerns.

## REPLACEMENT PARTS

See **Page 24** for a complete replacement parts list. Use only parts supplied from the manufacturer.

Normally, all parts should be ordered through your IHP distributor or dealer. Parts will be shipped at prevailing prices at time of order.

When ordering repair parts, always give the following information:

1. The model number of the appliance.
2. The serial number of the appliance.
3. The part number.
4. The description of the part.
5. The quantity required.
6. The installation date of the appliance.

If you encounter any problems or have any questions concerning the installation or application of this system, please contact your dealer.

**IHP**  
**1769 East Lawrence Street**  
**Russellville, AL 35654**  
**Visit us at [Astria.us.com](http://Astria.us.com)**

Model Number _____
Serial Number _____
Date Installed _____
Dealer's Name _____
Dealer's Phone Number _____



**NATIONAL FIREPLACE INSTITUTE**  
**NFI**  
**CERTIFIED**  
[www.nficertified.org](http://www.nficertified.org)

We recommend that our woodburning hearth products be installed and serviced by professionals who are certified in the U.S. by the National Fireplace Institute® (NFI) as NFI Woodburning Specialists or who are certified in Canada by Wood Energy Technical Training (WETT).



**Wood Energy Technical Training**  
[www.wettinc.ca](http://www.wettinc.ca)

Innovative Hearth Products (IHP) reserves the right to make changes at any time, without notice, in design, materials, specifications, and prices, and also to discontinue colors, styles, and products. Consult your local distributor for fireplace code information.

