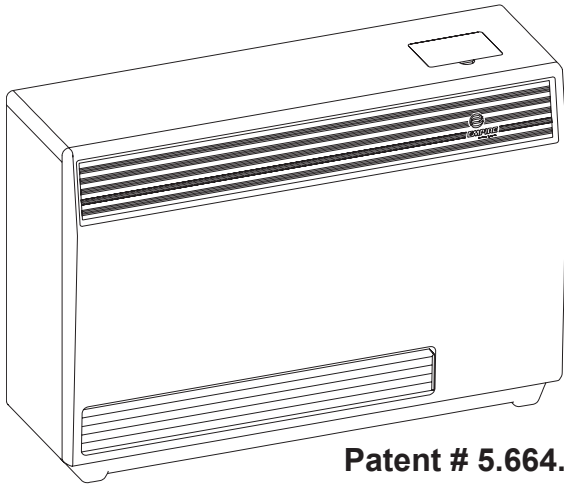




INSTALLATION INSTRUCTIONS AND OWNER'S MANUAL



Patent # 5.664.555

INSTALLER:

Leave this manual with the appliance.

CONSUMER:

Retain this manual for future reference.

⚠ WARNING

FIRE OR EXPLOSION HAZARD

If the information in these instructions is not followed exactly, a fire or explosion may result causing property damage, personal injury or loss of life.

- Do not store or use gasoline or other flammable vapors and liquids in the vicinity of this or any other appliance.
- **WHAT TO DO IF YOU SMELL GAS**
 - Do not try to light any appliance.
 - Do not touch any electrical switch; do not use any phone in your building.
 - Leave the building immediately.
 - Immediately call your gas supplier from a neighbor's phone. Follow the gas supplier's instructions.
 - If you cannot reach your gas supplier, call the fire department.
- Installation and service must be performed by a qualified installer, service agency or the gas supplier.

FAN TYPE DIRECT VENT WALL FURNACE

For Installation In
Manufactured (Mobile Home),
Modular Or Residential Homes

MODELS

DV-20E-5 | DV-40E-5



⚠ WARNING

If not installed, operated and maintained in accordance with the manufacturer's instructions, this product could expose you to substances in fuel or from fuel combustion which can cause death or serious illness.

This appliance may be installed as an OEM installation in a manufactured home (USA only) or mobile home and must be installed in accordance with the manufacturer's instructions and the Manufactured Home Construction and Safety Standard, Title 24 CFR, Part 3280, in the United States, or the Mobile Home Standard, CAN/CSA Z240 MH Series, in Canada.

This appliance is only for use with the type(s) of gas indicated on the rating plate. A conversion kit is supplied with the appliance.

TABLE OF CONTENTS

SECTION	PAGE
Important Safety Information.....	3
Safety Information for Users of Propane Gas.....	4
Requirements for Massachusetts.....	5
Introduction.....	6-7
Specifications.....	7
Gas Supply.....	8
Gas Conversion Instructions.....	9
Clearances.....	10
Furnace Installation.....	11-13
Lighting Instructions.....	14
Wiring.....	15
Maintenance.....	16
Operation and Troubleshooting.....	16
Furnace Control Board Diagnostics.....	17
How to Order Repair Parts.....	17
Parts List.....	18
Parts View.....	19
Appliance Service History.....	20-21
Master Parts Distributor List.....	22
How To Order Repair Parts.....	22
Warranty.....	23

IMPORTANT SAFETY INFORMATION

THIS IS A HEATING APPLIANCE

DO NOT OPERATE THIS APPLIANCE WITHOUT FRONT PANEL INSTALLED.

- Due to high temperatures the appliance should be located out of traffic and away from furniture and draperies.
- Children and adults should be alerted to the hazards of high surface temperatures and should stay away to avoid burns or clothing ignition.
- Young children should be carefully supervised when they are in the same room as the appliance.
- Clothing or other flammable material should not be placed on or near the appliance.
- Any safety screen or guard removed for servicing an appliance must be replaced prior to operating the appliance.
- Keep burner and control compartment clean.
- Vent cap hot while furnace is in operation.
- For manufactured home (USA only) or mobile home or residential installation convertible for use with Natural Gas and liquefied petroleum gases when provision is made for the simple conversion from one gas to the other.
- Installation and repair should be done by a QUALIFIED SERVICE PERSON. The appliance should be inspected before use and at least annually by a qualified service person. More frequent cleaning may be required due to excessive lint from carpeting, bedding materials, etc. It is imperative that control compartments, burners and circulating air passageways of the appliance be kept clean.
- DO NOT put anything around the furnace that will obstruct the flow of combustion and ventilation air.
- DO keep the appliance area clear and free from combustible material, gasoline and other flammable vapors and liquids.
- DO examine venting system periodically and replace damaged parts.
- DO make a periodic visual check of burner. Clean and replace damaged parts.
- DO NOT use this heater if any part has been under water. Immediately call a qualified service technician to inspect the heater and to replace any part of the control system and any gas control which has been under water.

SAFETY INFORMATION FOR USERS OF PROPANE GAS

Propane is a flammable gas which can cause fires and explosions. In its natural state, propane is odorless and colorless. You may not know all the following safety precautions which can protect both you and your family from an accident. Read them carefully now, then review them point by point with the members of your

household. Someday when there may not be a minute to lose, everyone's safety will depend on knowing exactly what to do. If, after reading the following information, you feel you still need more information, please contact your gas supplier.

PROPANE GAS WARNING ODOR

If a gas leak happens, you should be able to smell the gas because of the odorant put in the Propane Gas. That's your signal to go into immediate action!

- Do not operate electric switches, light matches, use your phone. Do not do anything that could ignite the gas.
- Get everyone out of the building, vehicle, trailer, or area. Do that IMMEDIATELY.
- Close all gas tank or cylinder supply valves.
- Propane Gas is heavier than air and may settle in low areas such as basements. When you have reason to suspect a gas leak, keep out of basements and other low areas. Stay out until firefighters declare them to be safe.
- Use your neighbor's phone and call a trained Propane Gas service person and the fire department. Even though you may not continue to smell gas, do not turn on the gas again. Do not re-enter the building, vehicle, trailer, or area.
- Finally, let the service man and firefighters check for escaped gas. Have them air out the area before you return. Properly trained Propane Gas service people should repair the leak, then check and relight the gas appliance for you.

NO ODOR DETECTED - ODOR FADE

Some people cannot smell well. Some people cannot smell the odor of the chemical put into the gas. You must find out if you can smell the odorant in propane. Smoking can decrease your ability to smell. Being around an odor for a time can affect your sensitivity or ability to detect that odor. Sometimes other odors in the area mask the gas odor. People may not smell the gas odor or their minds are on something else. Thinking about smelling a gas odor can make it easier to smell.

The odorant in Propane Gas is colorless, and it can fade under some circumstances. For example, if there is an underground leak, the movement of the gas through soil can filter the odorant. Odorants in Propane Gas also are subject to oxidation. This fading can occur if there is rust inside the storage tank or in iron gas pipes.

The odorant in escaped gas can adsorb or absorb onto or into walls, masonry and other materials and fabrics in a room. That will take some of the odorant out of the gas, reducing its odor intensity.

Propane Gas may stratify in a closed area, and the odor intensity could vary at different levels. Since it is heavier than air, there may be more odor at lower levels. Always be sensitive to the slightest gas odor. If you detect any odor, treat it as a serious leak. Immediately go into action as instructed earlier.

SOME POINTS TO REMEMBER

- Learn to recognize the odor of Propane Gas. Your local Propane Gas Dealer can give you a "Scratch and Sniff" pamphlet. Use it to find out what the propane odor smells like. If you suspect that your Propane Gas has a weak or abnormal odor, call your Propane Gas Dealer.
- If you are not qualified, do not light pilot lights, perform service, or make adjustments to appliances on the Propane Gas system. If you are qualified, consciously think about the odor of Propane Gas prior to and while lighting pilot lights or performing service or making adjustments.
- Sometimes a basement or a closed-up house has a musty smell that can cover up the Propane Gas odor. Do not try to light pilot lights, perform service, or make adjustments in an area where the conditions are such that you may not detect the odor if there has been a leak of Propane Gas.
- Odor fade, due to oxidation by rust or adsorption on walls of new cylinders and tanks, is possible. Therefore, people should be particularly alert and careful when new tanks or cylinders are placed in service. Odor fade can occur in new tanks, or reinstalled old tanks, if they are filled and allowed to set too long before refilling. Cylinders and tanks which have been out of service for a time may develop internal rust which will cause odor fade. If such conditions are suspected to exist, a periodic sniff test of the gas is advisable. If you have any question about the gas odor, call your Propane Gas dealer. A periodic sniff test of the Propane Gas is a good safety measure under any condition.
- If, at any time, you do not smell the Propane Gas odorant and you think you should, assume you have a leak. Then take the same immediate action recommended above for the occasion when you do detect the odorized Propane Gas.
- If you experience a complete "gas out," (the container is under no vapor pressure), turn the tank valve off immediately. If the container valve is left on, the container may draw in some air through openings such as pilot light orifices. If this occurs, some new internal rusting could occur. If the valve is left open, then treat the container as a new tank. Always be sure your container is under vapor pressure by turning it off at the container before it goes completely empty or having it refilled before it is completely empty.

REQUIREMENTS FOR MASSACHUSETTS

For all side wall horizontally vented gas fueled equipment installed in every dwelling, building or structure used in whole or in part for residential purposes, including those owned or operated by the Commonwealth and where the side wall exhaust vent termination is less than seven (7) feet above finished grade in the area of the venting, including but not limited to decks and porches, the following requirements shall be satisfied:

1. **INSTALLATION OF CARBON MONOXIDE DETECTORS.** At the time of installation of the side wall horizontal vented gas fueled equipment, the installing plumber or gasfitter shall observe that a hard wired carbon monoxide detector with an alarm and battery back-up is installed on the floor level where the gas equipment is to be installed. In addition, the installing plumber or gasfitter shall observe that a battery operated or hard wired carbon monoxide detector with an alarm is installed on each additional level of the dwelling, building or structure served by the side wall horizontal vented gas fueled equipment. It shall be the responsibility of the property owner to secure the services of qualified licensed professionals for the installation of hard wired carbon monoxide detectors
 - a. In the event that the side wall horizontally vented gas fueled equipment is installed in a crawl space or an attic, the hard wired carbon monoxide detector with alarm and battery back-up may be installed on the next adjacent floor level.
 - b. In the event that the requirements of this subdivision can not be met at the time of completion of installation, the owner shall have a period of thirty (30) days to comply with the above requirements; provided, however, that during said thirty (30) day period, a battery operated carbon monoxide detector with an alarm shall be installed.
2. **APPROVED CARBON MONOXIDE DETECTORS.** Each carbon monoxide detector as required in accordance with the above provisions shall comply with NFPA 720 and be ANSI/UL 2034 listed and IAS certified.
3. **SIGNAGE.** A metal or plastic identification plate shall be permanently mounted to the exterior of the building at a minimum height of eight (8) feet above grade directly in line with the exhaust vent terminal for the horizontally vented gas fueled heating appliance or equipment. The sign shall read, in print size no less than one-half (1/2) inch in size, **"GAS VENT DIRECTLY BELOW. KEEP CLEAR OF ALL OBSTRUCTIONS"**.
4. **INSPECTION.** The state or local gas inspector of the side wall horizontally vented gas fueled equipment shall not approve the installation unless, upon inspection, the inspector observes carbon monoxide detectors and signage installed in accordance with the provisions of 248 CMR 5.08(2)(a) 1 through 4.
 - (b) **EXEMPTIONS:** The following equipment is exempt from 248 CMR 5.08(2)(a)1 through 4:
 1. The equipment listed in Chapter 10 entitled "Equipment Not Required To Be Vented" in the most current edition of NFPA 54 as adopted by the Board; and
 2. Product Approved side wall horizontally vented gas fueled equipment installed in a room or structure separate from the dwelling, building or structure used in whole or in part for residential purposes.
 - (c) **MANUFACTURER REQUIREMENTS - GAS EQUIPMENT VENTING SYSTEM PROVIDED.** When the manufacturer of Product Approved side wall horizontally vented gas equipment provides a venting system design or venting system components with the equipment, the instructions provided by the manufacturer for installation of the equipment and the venting system shall include:
 1. Detailed instructions for the installation of the venting system design or the venting system components; and
 2. A complete parts list for the venting system design or venting system.
 - (e) A copy of all installation instructions for all Product Approved side wall horizontally vented gas fueled equipment, all venting instructions, all parts lists for venting instructions, and/or all venting design instructions shall remain with the appliance or equipment at the completion of the installation.

INTRODUCTION

Introduction

Always consult your local Building Department regarding regulations, codes or ordinances which apply to the installation of a direct vent wall furnace.

Instructions to Installer

1. Installer must leave instruction manual with owner after installation.
2. Installer should show owner how to start and operate furnace and thermostat.
3. Installer must locate unit near a grounded wall receptacle for 115VAC power and must provide gas supply and vent the unit properly for safe operation.

WARNING

Any change to this furnace or its control can be dangerous. This is a heating appliance and any panel, door or guard removed for servicing an appliance must be replaced prior to operating the appliance.

General Information

This series is design certified in accordance with American National Standard/CSA Standard Z21.86 and CSA 2.32 by the Canadian Standards Association as a Fan Type Direct Vent Wall Furnace to be installed according to these instructions.

Any alteration of the original design, installed other than as shown in these instructions or use with a type of gas not shown on the rating plate is the responsibility of the person and company making the change.

Important

All correspondence should refer to complete Model Number, Serial Number and type of gas.

Notice: During initial firing of this unit, oil from the heat exchanger may bake out and smoke may occur. To prevent triggering of smoke alarms, ventilate the room in which the unit is installed.

Installation in Residential Garages

Gas utilization equipment in residential garages shall be installed so that all burners and burner ignition devices are located not less than 18" (457mm) above the floor.

Such equipment shall be located, or protected, so it is not subject to physical damage by a moving vehicle.

Qualified Installing Agency

Installation and replacement of gas piping, gas utilization equipment or accessories and repair and servicing of equipment shall be performed only by a qualified agency. The term "qualified agency" means any individual, firm, corporation or company which either in person or through a representative is engaged in and is responsible for (a) the installation or replacement of gas piping or (b) the connection, installation, repair or servicing of equipment, who is experienced in such work, familiar with all precautions required and has complied with all the requirements of the authority having jurisdiction.

Commonwealth of Massachusetts: The installation must be made by a licensed plumber or gas fitter in the Commonwealth of Massachusetts.

The installation must conform with local codes, or in the absence of local codes, the National Fuel Gas Code, ANSI Z223.1/NFPA 54 or Natural Gas and Propane Installation Code, CSA B149.1.

*Available from the American National Standards Institute, Inc., 11 West 42nd St., New York, NY 10036.

A manufactured home (USA only) or mobile home OEM installation must conform with the Manufactured Home Construction and Safety Standard, Title 24 CFR, Part 3280, or, when such a standard is not applicable, the Standard for Manufactured Home Installations, ANSI Z225.1, or Standard for Gas Equipped Recreational Vehicles and Mobile Housing, CSA Z240.4.

High Altitudes

For altitudes/elevations above 2,000 feet (610m), input ratings should be reduced at the rate of 4 percent for each 1,000 feet (305m) above sea level, this may be accomplished by reducing manifold pressure. The maximum allowable reduction in manifold pressure for Natural Gas shall be from 3.5" w.c. (.872kPa) to 2.8" w.c. (.697kPa). The maximum allowable reduction in manifold pressure for Propane Gas shall be from 10.0" w.c. (2.49kPa) to 8.0" w.c. (1.99kPa). For Canadian high altitude applications, this appliance is suitable for installation at elevations between 0 feet (0m) and 4,500 feet (1,372m) without change.

INTRODUCTION (CONT'D)

When an existing Category 1 heater is removed or replaced, the original venting system may no longer be sized to properly vent the attached appliances. Instructions shall

also indicate effects of an improperly sized venting system (formation of condensate, leakage, spillage, etc.) and shall specify the following test procedure:

⚠ WARNING

CARBON MONOXIDE POISONING HAZARD

Failure to follow the steps outlined below for each appliance connected to the venting system being placed into operation could result in carbon monoxide poisoning or death.

The following steps shall be followed for each appliance connected to the venting system being placed into operation, while all other appliances connected to the venting system are not in operation:

1. Seal any unused openings in the venting system.
2. Inspect the venting system for proper size and horizontal pitch, as required in the National Fuel Gas Code, ANSI Z223.1/NFPA 54 or the Natural Gas and Propane Installation Code, CSA B149.1 and these instructions. Determine that there is no blockage or restriction, leakage, corrosion and other deficiencies which could cause an unsafe condition.
3. As far as practical, close all building doors and windows and all doors between the space in which the appliance(s) connected to the venting system are located and other spaces of the building.
4. Close fireplace dampers.

5. Turn on clothes dryers and any appliance not connected to the venting system. Turn on any exhaust fans, such as range hoods and bathroom exhausts, so they are operating at maximum speed. Do operate a summer exhaust fan.
6. Follow the lighting instructions. Place the appliance being inspected into operation. Adjust the thermostat so appliance is operating continuously.
7. Test for spillage from draft hood equipped appliances at the draft hood relief opening after 5 minutes of main burner operation. Use the flame of a match or candle.
8. If improper venting is observed during any of the above tests, the venting system must be corrected in accordance with National Fuel Gas Code, ANSI Z223.1/NFPA 54 and/or Natural Gas and Propane Installation Code, CSA B149.1.
9. After it has been determined that each appliance connected to the venting system properly vents when tested as outlined above, return doors, windows, exhaust fans, fireplace dampers and any other gas-fired burning appliance to their previous conditions of use.

SPECIFICATIONS

Model	DV-20E	DV-40E
Input BTU/HR (KW/H)	20,000 (5.9)	40,000 (11.7)
Height	26" (660mm)	26" (660mm)
Width	37" (940mm)	37" (940mm)
Depth with Shroud	15 3/4" (400mm)	15 3/4" (400mm)
Gas Inlet (Pipe)	1/2" (13mm)	1/2" (13mm)
Electrical - Unit as a 5' (1.5m) 3 pronged cordset for connection to an approved 115 VAC 60HZ minimum AMPs - 5A wall receptacle.		

CONVERSION KITS		
Part Number	Description	Used On
DV1124	Propane to Natural	DV20E-5LPG
DV1123	Natural to Propane	DV20E-5NAT
DV1097	Propane to Natural	DV40E-5LPG
DV1096	Natural to Propane	DV40E-5NAT

Accessories	
Extended Vent Terminal For walls up to 32" (813mm)	DVT-2
Intake/Exhaust Extension Kit	
*54" (1371mm) Vent Kit with 2 Elbows	DVE-1
*54" (1371mm) Vent Kit (straight) for Extended Vent Runs	DVE-2 (use with DVE-1)
Floor Pad	DVP-1
Condensate Drain Kit	DV-1108

* This kit may require a DV-1108 Condensate Drain Kit. See page 12 for requirements.

GAS SUPPLY

Consult the current National Fuel Gas Code, ANSI Z223.1 CAN/CGA-B149 (.1 or .2) installation code.

Recommended Gas Pipe Diameter

Pipe Length	Schedule 40 Pipe Inside Diameter		Tubing, Type L Outside Diameter	
	Natural	Propane	Natural	Propane
0-10 feet 0-3 meters	1/2" 12.7mm	3/8" 9.5mm	1/2" 12.7mm	3/8" 9.5mm
10-40 feet 4-12 meters	1/2" 12.7mm	1/2" 12.7mm	5/8" 15.9mm	1/2" 12.7mm
40-100 feet 13-30 meters	1/2" 12.7mm	1/2" 12.7mm	3/4" 19mm	1/2" 12.7mm
100-150 feet 31-46 meters	3/4" 19mm	1/2" 12.7mm	7/8" 22.2mm	3/4" 19mm

NOTE: Never use plastic pipe. Check to confirm whether your local codes allow copper tubing or galvanized.

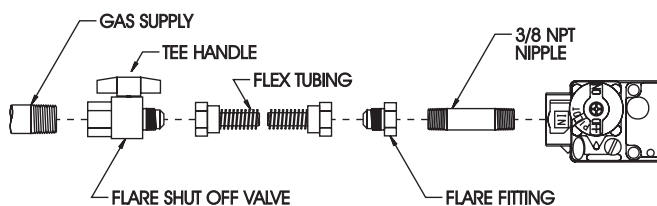
NOTE: Since some municipalities have additional local codes, it is always best to consult your local authority and installation code.

The use of the following gas connectors is recommended:

- ANS Z21.24 Appliance Connectors of Corrugated Metal Tubing and Fittings
- ANS Z21.45 Assembled Flexible Appliance Connectors of Other Than All-Metal Construction

The above connectors may be used if acceptable by the authority having jurisdiction. The Commonwealth of Massachusetts requires that a flexible appliance connector cannot exceed three feet in length.

FLEXIBLE GAS LINE CONNECTION



RIGID GAS LINE CONNECTION

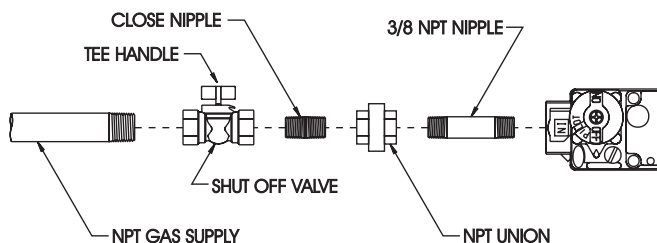


Figure 1

Installing a New Main Gas Shut-Off

Each appliance should have its own manual gas shut-off.

A manual main gas shut-off should be located in the vicinity of the unit. Where none exists, or where its size or location is not adequate, contact your local authorized installer for installation or relocation.

Compounds used on threaded joints of gas piping shall be resistant to the action of liquefied petroleum gases. The gas lines must be checked for leaks by the installer. This should be done with a soap solution watching for bubbles on all exposed connections, and if unexposed, a pressure test should be made.

Never use an exposed flame to check for leaks. Appliance must be disconnected from piping at inlet of control valve and pipe capped or plugged for pressure test. Never pressure test with appliance connected; control valve will sustain damage!

A gas valve and ground joint union should be installed in the gas line upstream of the gas control to aid in servicing. It is required by the National Fuel Gas Code that a drip line be installed near the gas inlet. This should consist of a vertical length of pipe tee connected into the gas line that is capped on the bottom in which condensation and foreign particles may collect.

Pressure Testing of the Gas Supply System

1. To check the inlet pressure to the gas valve, a 1/8" (3mm) N.P.T. plugged tapping, accessible for test gauge connection, must be placed immediately upstream of the gas supply connection to the appliance.
2. The appliance and its individual shut-off valve must be disconnected from the gas supply piping system during any pressure testing of that system at test pressures in excess of 1/2 psig (3.5 kPa).
3. The appliance must be isolated from the gas supply piping system by closing its individual manual shut-off valve during any pressure testing of the gas supply piping system at test pressures equal to or less than 1/2 psig (3.5 kPa).

Attention! If one of the procedures results in pressures in excess of 1/2 psig (14" w.c.) (3.5 kPa) on the fireplace gas valve, it will result in a hazardous condition.

Checking Manifold Pressure

Both Propane and Natural Gas valves have a built-in pressure regulator in the gas valve. Natural gas models will have a manifold pressure of approximately 3.5" w.c. (.872kPa) at the valve outlet with the inlet pressure to the valve from a minimum of 5.0" w.c. (1.245kPa) for the purpose of input adjustment to a maximum of 10.5" w.c. (2.614kPa) Propane gas models will have a manifold pressure approximately 10.0" w.c. (2.49kPa) at the valve outlet with the inlet pressure to the valve from a minimum of 11.0" w.c. (2.739kPa) for the purpose of input adjustment to a maximum of 13.0" w.c. (3.237kPa).

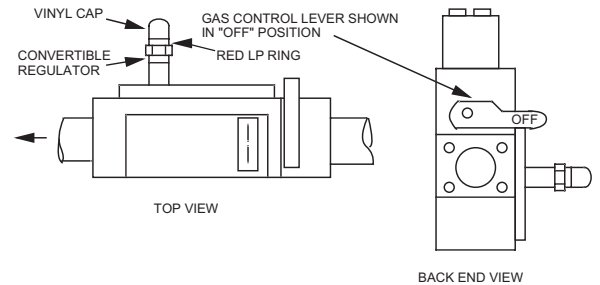
A 1/8" (3mm) N.P.T. plugged tapping, accessible for test gauge connection, is located on the outlet side of the gas control.

GAS CONVERSION INSTRUCTIONS

Warning: Conversion must be done by a qualified service technician. Main burner orifice(s) and new gas conversion label are provided in conversion kit attached to manifold pipe.

CONVERSION INSTRUCTIONS FROM PROPANE GAS TO NATURAL GAS

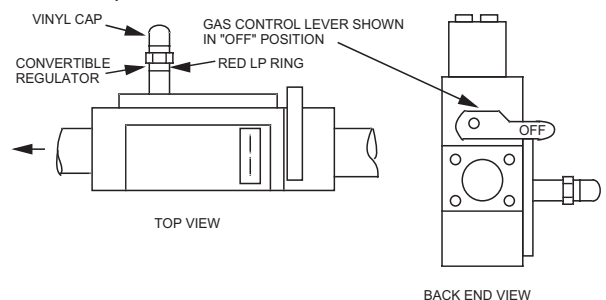
1. Make sure gas supply to furnace is off prior to conversion and disconnect electrical power to unit.
2. Open brass union located between the gas valve and burner box. Remove the 4 mounting screws securing manifold plate to the burner box. Remove the top 2 screws holding the burner box top in place and then remove the 1 screw holding the end of the manifold pipe in place. Grasp union and remove manifold pipe.
3. Remove (1) Propane Gas main burner orifice marked 55 for DV-20E or (2) Propane Gas main burner orifices marked 55 for DV-40E located in the manifold pipe and replace with (1) Natural Gas main burner orifice marked 44 for DV-20E or (2) Natural Gas main burner orifices marked 44 for DV-40E supplied in conversion kit.
4. Replace manifold pipe being sure to locate orifice(s) in the end of the burner. Secure the manifold and top burner box cover in place using the screws earlier removed. Reconnect the brass union.
5. Remove the vinyl cap and unscrew the gas control convertible regulator and reverse to Natural Gas side and screw back into place. The red Propane ring will be up just under the vinyl cap. Reattach vinyl cap. Refer to figure illustrating the gas valve.
6. Place Propane Gas main burner orifice(s) in conversion kit. Attach conversion kit to manifold pipe. Attach new label to unit nameplate indicating that the unit was converted to Natural Gas.
7. Turn on gas supply to furnace and check all gas connections for leaks with soap solution, watching for bubbles on all gas connections.
8. Turn on electrical power to unit and turn on furnace to verify proper operation. It may take several tries for ignition to completely purge all the air from the gas line.



Warning: Conversion must be done by a qualified service technician. Main burner orifice(s) and new gas pipe and conversion label are provided in conversion kit attached to manifold pipe.

CONVERSION INSTRUCTIONS FROM NATURAL GAS TO PROPANE GAS

1. Make sure gas supply to furnace is off prior to conversion and disconnect electrical power to unit.
2. Open brass union located between the gas valve and burner box. Remove the 4 mounting screws securing manifold plate to the burner box. Remove the top 2 screws holding the burner box top in place and then remove the 1 screw holding the end of the manifold pipe in place. Grasp union and remove manifold pipe.
3. Remove (1) Natural Gas main burner orifice marked 44 for DV-20E or (2) Natural Gas main burner orifices marked 44 for DV-40E located in the manifold pipe and replace with (1) Propane Gas main burner orifice marked 55 for DV-20E or (2) Propane Gas main burner orifices marked 55 for DV-40E supplied in conversion kit.
4. Replace manifold pipe being sure to locate orifice(s) in the end of the burner. Secure the manifold and top burner box cover in place using the screws earlier removed. Reconnect the brass union.
5. Remove the vinyl cap and unscrew the gas control convertible regulator and reverse to Propane Gas side (red ring on regulator) and screw back into place. Reattach vinyl cap. Refer to figure illustrating the gas valve.
6. Place Natural Gas main burner orifice(s) in conversion kit. Attach conversion kit to manifold pipe. Attach new label to unit nameplate indicating that the unit was converted to Propane Gas.
7. Turn on gas supply to furnace and check all gas connections for leaks with soap solution, watching for bubbles on all gas connections.
8. Turn on electrical power to unit and turn on furnace to verify proper operation. It may take several tries for ignition to completely purge all the air from the gas line.



CLEARANCES

1. Pick a location on a wall with a clear space of 36" (91.4cm) high by 43" (109cm) wide in the room. In selecting a location for installation, it is necessary to provide adequate accessibility clearances for servicing and proper installation. Be sure to locate the unit close enough to a 115 VAC wall receptacle to properly power appliance.
2. Unit is supported by a wall bracket secured to the wall.
3. When facing the front of the furnace the minimum clearances from casing to combustible construction are 10" (254mm) on top, 3" (76mm) on each side, recommend 18" (457mm) on right side for servicing and 0" (0mm) from the floor and 0" (0mm) to rear wall.
4. The black flocked exhaust pipe, contained in DVE-1 Kit or DVE-2 Kit, has zero (0") inches (0mm) clearance to combustibles.
5. The minimum distance from the center of the vent cap to the nearest outside corner or obstruction is 12" (305mm).
6. The minimum wall depth is 2" (51mm) and the maximum is 10" (254mm) [or 32" (813mm) using the extended vent terminal kit accessory]. The use of vent tubes not supplied by the manufacturer may result in unsatisfactory performance.

The vent terminal of a direct vent appliance, with an input of 50,000 BTU (14.6KW) per hour or less shall be located at least 9" (229mm) from any opening through which flue gases could enter a building.

The bottom of the exhaust vent terminal and the air intake shall be located at least 12" (305mm) above grade and must be vented outside.

WARNING

The nearest point of the vent cap should be a minimum horizontal distant of six (6) feet (1.83m) from any pressure regulator. In case of regulator malfunction, the six (6) feet (1.83m) distance will reduce the chance of gas entering the vent cap.

Installation on Rugs and Tile

If this appliance is to be installed directly on carpeting, tile, or other combustible material, other than wood flooring, the appliance shall be installed on a metal or wood panel extending the full width and depth of the appliance.

The base referred to above does not mean the fire-proof base as used on wood stoves. The protection is primarily for rugs that may be extremely thick and light-color tile that can discolor.

FURNACE INSTALLATION

Locating Wall Opening (See Figures 2, 3 and 4)

The recommended location for this furnace is on an outside wall. (The unit can be located on an inside wall but must be vented using the extended vent kit and should not exceed 15' (4.6m) in exhaust vent length.) Locate wall studs so that wall vent opening will be located between wall studs. The wall studs can be used for attachment of wall mounting bracket. The wall opening required for venting is a 3 1/4" (83mm) minimum diameter opening.

Refer to **Figure 2** for positioning the furnace on wall and for locating gas line connection and vent opening. Furnace can sit on the floor and should be secured to the wall through the wall bracket secured to the rear top shroud.

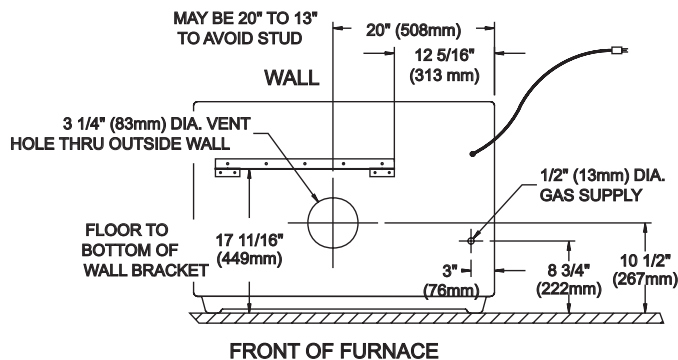


Figure 2

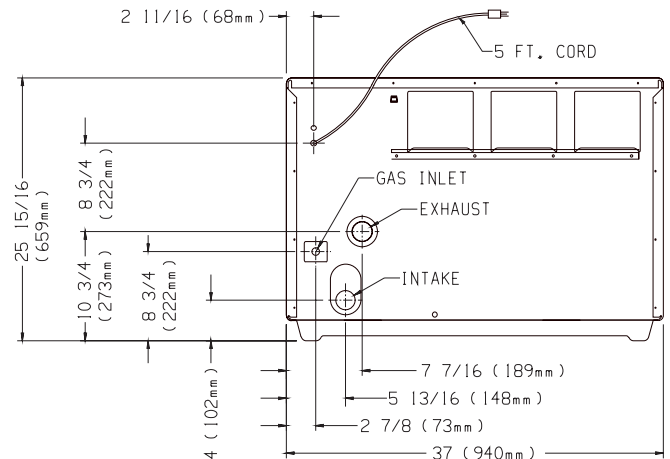


Figure 3

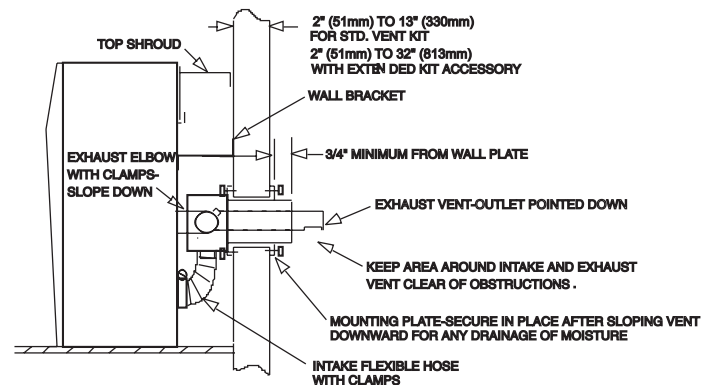


Figure 4

FURNACE INSTALLATION (CONT'D)

Installing Wall Bracket (See Figures 5 and 6)

After finding a location for the furnace, gas supply and vent, the wall bracket must be positioned and installed. The bracket should be mounted to the wall studs, if possible, or anchored solidly to the wall. Use the (2) 10 x 1" (25mm) hex-head screws or (2) plastic anchors provided. Drill (2) 5/16" (8mm) diameter holes in wall if plastic anchors are used. Attach the two wall mounting brackets to the casing back by using (4) 10 x 1/2" (13mm) hex-head screws provided.

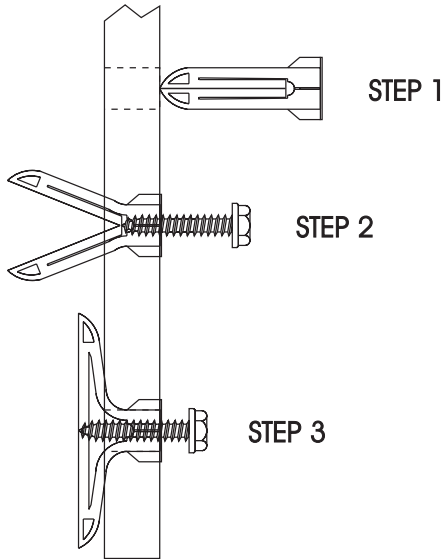


Figure 5

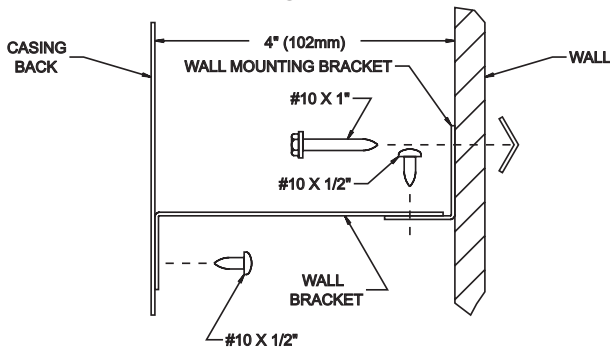


Figure 6

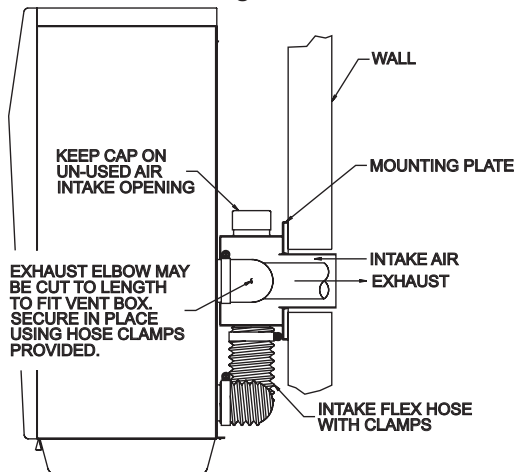


Figure 7

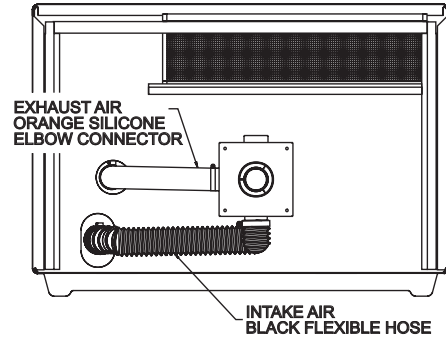


Figure 8

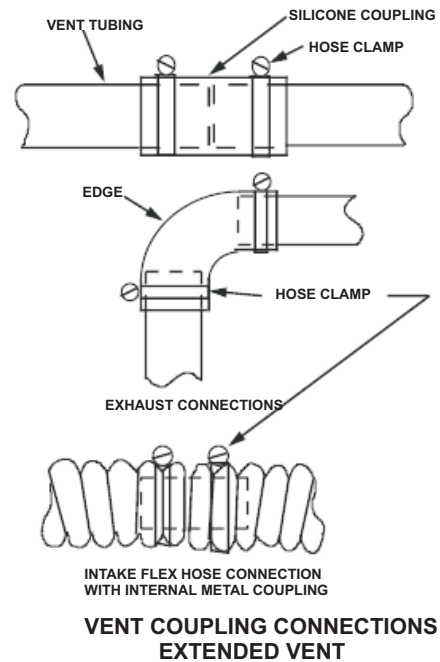


Figure 9

Venting (Figures 7, 8 and 9)

This unit is vented directly out the back using the concentric vent tube assembly provided. See Figure 2 for vent hole location. This hole location can be conveniently moved closer to unit exhaust outlet tube to avoid wall stud interference if necessary. The orange silicone exhaust elbow would need to be cut to length. Do not locate vent directly behind the exhaust outlet. Do not use the orange silicone elbow for extended vent runs where the possibility of flue condensate exists unless the run is horizontal and the elbow is sloped downward away from the heater. See Figure 12 for extended vertical venting.

The vent provided will accommodate walls up to 10" thick and can be cut shorter for thinner walls if desired by using a hacksaw or cut-off saw. Be sure to leave the minimum 3/4" of tube length extending beyond the outside wall plate. Both the inner and outer tube will be cut to the same length as the inner exhaust tube has an extension piece which is added during final outside assembly.

FURNACE INSTALLATION (CONT'D)

Be sure to deburr the ends with a file after cutting. Installation is easy after cutting the wall opening secure the vent terminal box in place using the (4) 10 x 1" hex-head screws provided. Locate the box so that the middle exhaust tube is directed toward the furnace exhaust outlet opening. See Figure 8. Attach the black 2" flexible inlet air hose to the bottom 2" connector on the vent box using a hose clamp. Secure the other end to the lower inlet air box connector using the hose clamp. Do not kink hose. Attach the long straight end of the 2" orange silicone exhaust elbow to the middle vent terminal tube and rotate the elbow toward the furnace exhaust outlet. Secure the hose to the vent box using a hose clamp. Carefully push the furnace back closer to the wall and secure the exhaust elbow to the 2" exhaust tube exiting the unit. Secure the elbow in place using the last remaining hose clamp. The furnace can now be secured to the wall.

The furnace can be vented with up to a maximum length of 15' (4.6m) including termination vent and using 2 - 90° elbows. Also, the furnace can be vented with up to a maximum length of 10' (3m) including termination vent and using 3 - 90° elbows. For longer vent lengths order the vent kit, Part Number DVE-1 and DVE-2. **See Figures 11 and 12** illustrating extended vent run and venting options.

NOTE: If the extended vent kit is used and the exhaust vent pipe is run through a cold space, such as an attic or a garage, the pipe should be insulated using 1/2" (13mm) thick fiberglass insulation or equivalent to keep the flue products warm enough to avoid condensation. Also, slope 1/4" (6mm) per foot (305mm) the vent terminal horizontal run downward toward the outside of the house to assure any condensate flow out of vent system. Horizontal vent pipe runs of 5 feet (1.5m) or more in length may accumulate condensation in the exhaust pipe and must, therefore, be sloped downward to drain any condensate out of the end vent terminal. Use straps or other suitable supports spaced every 5 feet (1.5m) to adequately hold pipe. Be sure to avoid any low spots or sags in pipe run. Be sure all connections are tight using the hose clamps as shown in **Figure 9**, "Vent Coupling Connections."

For wall depths thicker than 10" (254mm) order the extended vent terminal kit which will cover walls to 32" (813mm) thickness. The vent pipes must be cut to length to assemble for desired wall thickness.

For extended venting, it is also acceptable to use 2" (51mm) diameter PVC or ABS pipe for the combustion air intake supply piping only to the unit. If this is used, the pipe and fittings must conform to ANSI and ASTM Standards D1785 for SCH. 40 PVC, D2665 for PVC-DWV, D2241 for SDR-21 and SDR-26 PVC, D2661 for ABS-DWV and F628 for SCH. 40 ABS. Pipe cement and primer must be used and conform to ASTM Standard D2564 for PVC or D2235 for ABS. **This PVC or ABS pipe must not be used for the exhaust vent pipe run.**

NOTE: Type SDR pipe is not approved for use in Canada.

For new construction installation, the intake and exhaust vent can be run inside a wall, a vertical or horizontal distance prior to exiting the wall. This can be done but not the preferred method of installation due to the inability to perform periodic inspection of the vent system. In doing this, it is important to securely seal the vent system and slope all horizontal runs downward 1/4" (6mm) per foot (305mm)

toward the vent terminal outside to drain out any condensate. It is also necessary to adequately support both the exhaust and intake and to center the exhaust pipe in the wall.

Be sure to consult local codes prior to installation to verify allowable procedures.

Installation of Shroud

To complete inside installation, secure furnace to the wall bracket by attaching the two wall mounting brackets to the wall bracket by using (2) 10 x 1/2" (13mm) hex-head screws provided. **See Figures 4 and 6.** To attach the right shroud and left shroud to the casing back, the 3/4" wide flange on the shroud must be positioned toward the casing side. When positioned correctly, the (6) louvers on the shroud will be facing up and the knock-out on the shroud will be facing down. Attach the right shroud and left shroud to the casing back with (3) 10x1/2" hex-head screws supplied in hardware package, for each shroud. Attach top shroud to right shroud and left shroud with (4) Phillips-head screws, supplied in hardware package. Insert air filter into top shroud.

Attention: If the right shroud and left shroud are installed incorrectly, with the 3/4" wide flanges facing inward, the top shroud will not be able to be installed onto the side shrouds. The top shroud will appear to be 2 inches, too narrow.

Vent Terminal (Figure 10)

Place the 6 3/8" x 6 3/8" (162mm x 162mm) black foam, wall plate gasket within the mounting plate. The 4 3/4" (121mm) diameter hole in the black foam gasket will allow for installation of the concentric vent tube assembly. Slide the outside mounting plate into place on the concentric vent tube assembly. The outside mounting plate should seal against the face of the building and be secured in place using (4) 10 x 1" hex-head screws. Be sure to caulk and seal around the pipe on the exterior using high temperature exterior grade, silicone caulk rated at 204°C/400°F. Wipe some silicone sealant on the 2" (51mm) exhaust pipe extension. The end cap can be pushed into place on the exhaust outlet tube.

Attention: The opening on the bottom of the end cap must be positioned toward the ground. The opening on the bottom cannot be pivoted to the right or left, it must be centered toward the ground.

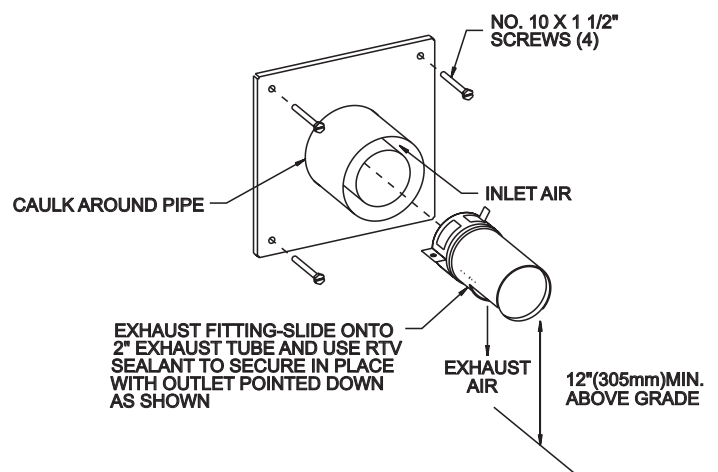


Figure 10

FURNACE INSTALLATION (CONT'D)

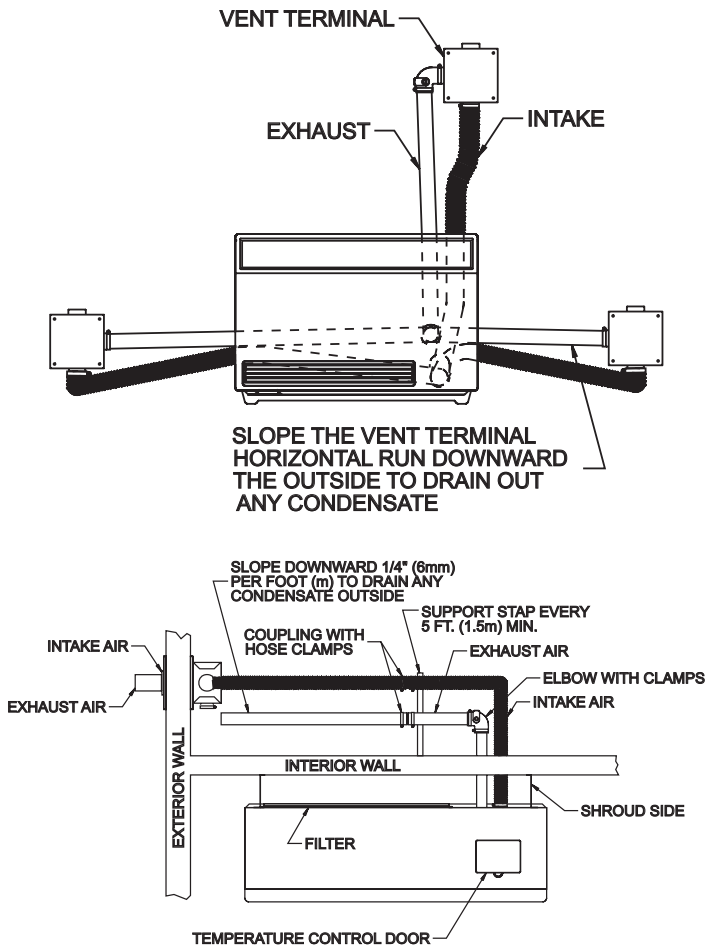


Figure 11

Condensate Removal (Figures 11 and 12)

The condensate drain kit is used in conjunction with DVE and DVE-2, intake/exhaust extension kits. The condensate drain kit is required whenever there is a vertical vent run, in a heated room [10 ft. (3m) or more for DV-40E or 6 ft. (1.8m) or more for DV-20E], in the intake/exhaust venting.

Whenever a vertical vent run, in a heated room [10 ft. (3m) or more for DV-40E or 6 ft. (1.8m) or more for DV-20E] and a horizontal vent run are combined, you must purchase the optional condensate drain kit, part number DV-1108. If the vertical vent run lengths are less than those required for the condensate drain kit, you can slope the horizontal vent run portion, downward 1/4" (6mm) per foot (.3m) to the outside. However, if local codes prohibit condensate from draining outside and the appliance produces condensate, the horizontal portion of the vent run must slope downward, to the appliance, 1/4" (6mm) per foot (.3m). This will allow any condensate to flow into the condensate drain kit. Do not use the orange silicone elbow supplied with unit to catch condensate. You can route the condensate from the condensate drain kit to an existing drain or into the condensate drain pan located within the appliance.

Whenever a horizontal vent run is used, where local codes allow, you can slope the exhaust pipe downward, to the outside, 1/4" (6mm) per foot (305mm). The downward slope on the exhaust pipe will allow any condensate to flow out of the exhaust pipe.

If local codes prohibit condensate from draining to the outside and the appliance produces condensate you must purchase condensate drain kit, part number DV-1108.

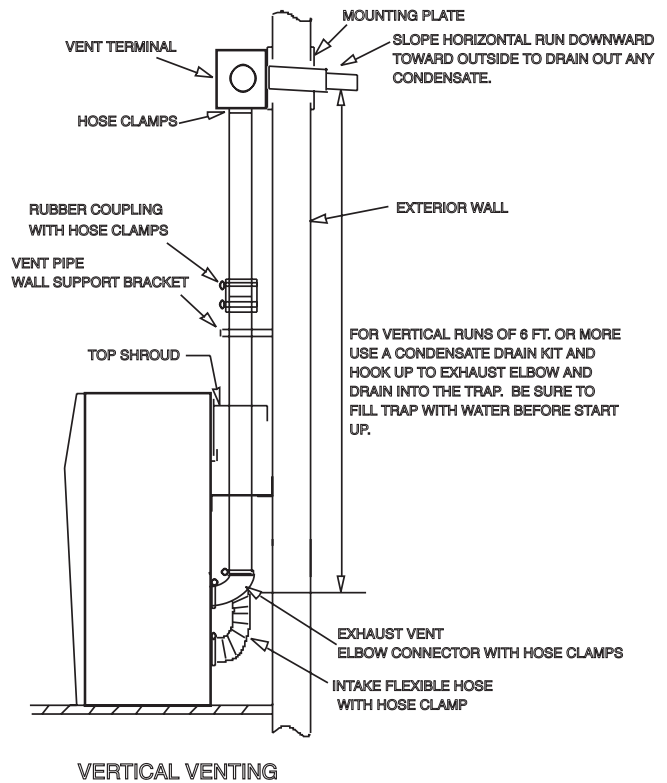


Figure 12

Reassembly and Resealing Vent-Air Intake System

When vent-air intake system is removed for servicing the furnace, the following steps will assure proper reassembly and resealing of the vent-air intake assembly. Be sure all hose connections and elbow assemblies are re-secured in place using the hose clamps removed. Reattach all screws securing mounting flanges and inspect all connections for a tight fit. Use high temperature silicone caulk rated at 204°C/400°F to reseal the inlet air vent pipe and exhaust air vent pipe to the mounting plate.

LIGHTING INSTRUCTIONS



FOR YOUR SAFETY READ BEFORE OPERATING

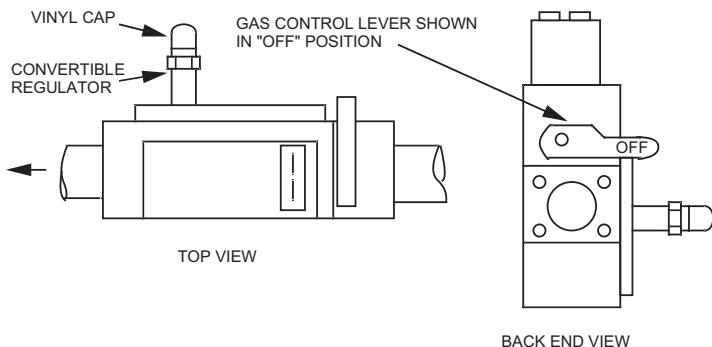
⚠ WARNING

If you do not follow these instructions exactly, a fire or explosion may result causing property damage, personal injury or loss of life.

- A. This appliance does not have a pilot. It is equipped with an ignition device which automatically lights the burner.
Do not try to light the burner by hand.
- B. **BEFORE OPERATING** smell all around the appliance area for gas. Be sure to smell next to the floor because some gas is heavier than air and will settle on the floor.
- WHAT TO DO IF YOU SMELL GAS**
- Do not try to light any appliance.
 - Do not touch any electrical switch; do not use any phone in your building.
 - Immediately call your gas supplier from a neighbor's phone. Follow the gas supplier's instructions.
- If you cannot reach your gas supplier, call the fire department.
- C. Use only your hand to push in or turn the gas control knob. Never use tools. If the knob will not push in or turn by hand, don't try to repair it; call a qualified service technician. Force or attempted repair may result in a fire or explosion.
- D. Do not use this appliance if any part has been under water. Immediately call a qualified service technician to inspect the appliance and to replace any part of the control system and any gas control which has been under water.

OPERATING INSTRUCTIONS

1. STOP! Read the safety information above.
2. Set the thermostat to lowest setting.
3. Turn off all electric power to the appliance.
4. This appliance is equipped with an ignition device which automatically lights the burner. Do not try to light the burner by hand.
5. Remove control access panel (front panel).
6. Turn gas control knob clockwise  to "OFF."
7. Wait ten (10) minutes to clear out any gas. Then smell for gas, including near the floor. If you smell gas, STOP! Follow "B" in the safety information above. If you don't smell gas, go to the next step.
8. Turn gas control knob counterclockwise  to "ON".
9. Replace control access panel (front panel).
10. Turn on all electric power to the appliance.
11. Set thermostat to desired setting.
12. If the appliance will not operate, follow the instructions "TO TURN OFF GAS TO APPLIANCE" and call your service technician or gas supplier.



TO TURN OFF GAS TO APPLIANCE

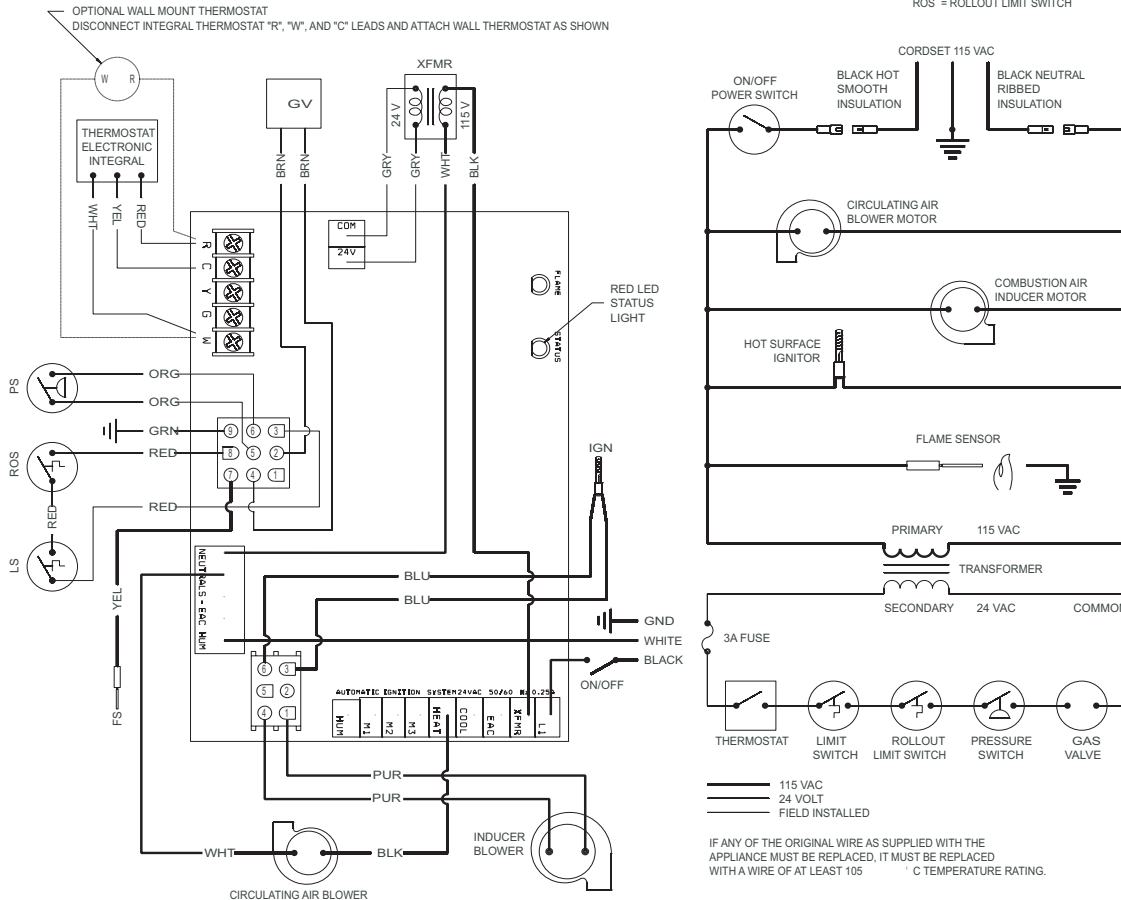
1. Set the thermostat to lowest setting.
2. Turn off all electric power to the appliance if service is to be performed .
3. Remove control access panel (front panel).
4. Turn gas control knob clockwise  to "OFF." Do not force.
5. Replace control access panel (front panel).

WIRING

WIRING DIAGRAM

WARNING: DISCONNECT THE ELECTRIC POWER BEFORE SERVICING

GV = GAS VALVE
LS = LIMIT SWITCH
FS = FLAME SENSOR
XFMR = TRANSFORMER
PS = PRESSURE SWITCH
IGN = HOT SURFACE IGNITOR
ROS = ROLLOUT LIMIT SWITCH



The appliance, when installed, must be electrically grounded in accordance with local codes or, in the absence of local codes, with the National Electrical Code, ANSI/NFPA 70 or Canadian Electrical Code, CSA C22.1, if an external electrical source is utilized. This appliance is equipped with a three-prong [grounding] plug for your protection against shock hazard and should be plugged directly into a properly grounded three-prong receptacle. Do not cut or remove the grounding prong from this plug. For an ungrounded receptacle, an adapter, which has two prongs and a wire for grounding, can be purchased, plugged into the ungrounded receptacle and its wire connected to the receptacle mounting screw. With this wire completing the ground, the appliance cord plug can be plugged into the adapter and be electrically grounded.

CAUTION

Label all wires prior to disconnection when servicing controls. Wiring errors can cause improper and dangerous operation. Verify proper operation after servicing.

NOTE: For testing flame sensor circuit use a micro-amp meter in series with sensor. Minimum current should be 1 micro-amp during operation. Be careful as flame sensor is in the 115VAC circuit. If current is below 1 micro-amp, remove sensor, clean with light sandpaper and retest.

NOTE: This heater is equipped with a remote bulb electronic thermistor control located down low at the back of the furnace.

Sometimes due to field locations different air currents may effect the control sensing of the thermistor. This sensing bulb can be re-located if necessary to provided for better room air sensing and control.

Replacement of Thermistor with 24 Volt Wall Thermostat

1. If furnace is installed, turn off gas supply and electric supply.
2. Remove casing front.
3. Remove black hose from front nipple on pressure switch.
4. Remove junction box cover (4 screws).
5. Please refer to wiring diagram for removal of the following wires.
6. Internal Electronic Thermostat/Temperature Control Board
Attention! No 24 volt wall thermostat wires are to be attached to the internal electronic thermostat.
7. Control Board
 - A. Remove white wire form screw marked W.
 - B. Remove yellow wire from screw marked C.
 - C. Remove red wire from screw marked R.
8. Route (2) wires from any 24 volt wall thermostat through the casing back of furnace to the screws marked W and R on the control board.
9. Replace junction box cover (4 screws).
10. Replace black hose onto front nipple on pressure switch.
11. Replacement of thermistor with 24 volt wall thermostat is completed.

MAINTENANCE

Proper Main Burner Flame

The proper main burner flame will be a blue primary (inner) flame with a larger, lighter blue secondary (outer) blue flame.

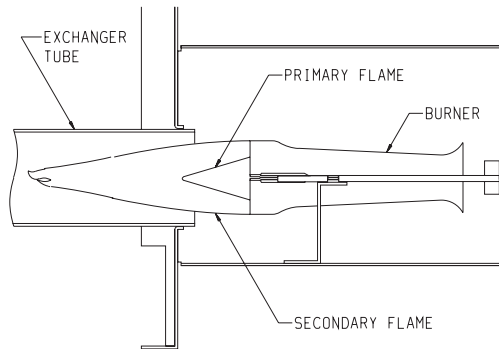


Figure 13

Cleaning Main Burner(s)

Remove main burner(s) and apply air pressure inside the throat and ports of the main burner(s).

Removing Main Burner(s)

1. Remove front grill assembly.
2. Remove burner compartment access panel (2 screws).
3. Remove main burner(s) from burner compartment (2 screws per main burner).

Removing Gas Valve

1. Remove front grill assembly.
2. Disconnect manifold union assembly at gas valve.
3. Remove (2) two 24 volt wires from gas valve. Label wires prior to disconnection from gas valve.
4. Remove gas valve from gas valve bracket.

Removing Main Burner Orifice(s)

1. Remove front grill assembly.
2. Remove burner compartment access panel (2 screws).
3. Disconnect manifold union assembly.
4. Disconnect manifold union assembly brackets (5 screws).

Removing Ignitor and Flame Sensor

1. Remove front grill assembly.
2. Remove ignitor from burner compartment (2 screws).
3. Remove flame sensor from burner compartment (1 screw).

Cleaning Combustion (Exchanger) Assembly

A QUALIFIED SERVICE PERSON should remove the combustion (exchanger) assembly. Apply air pressure to the inside of the combustion (exchanger) assembly in order to clear all passageways.

Oiling

The blower motor has an oil hole located on each end of the motor. Use #20 motor oil only. It is best to oil the motor several times during the heating season using 2 or 3 drops each time.

OPERATION AND TROUBLESHOOTING

Your new furnace should provide many years of trouble free performance, however, a yearly inspection of the burners , flue passageways and the outlet vent assembly should be done. Be sure all passageways are open and clear of any obstruction, or soot build up. Be sure to shut off all power to the unit while performing this inspection.

Periodically remove the circulating air filter and clean with water to remove all dirt. Shake dry and reinstall in unit.

System Operation

1. This furnace has an electronic thermostat and control board to monitor the room temperature and then control the furnace operation to provide the best comfort and performance from a heating appliance. To operate unit turn ON/OFF switch to ON and then turn temperature control knob clockwise slowly till furnace turns on. For typical room comfort, the control knob should be pointed toward medium.
2. The furnace control board follows sequence of operation which allows for self diagnosis in the event there is a problem. The control then blinks a status light, a set number of blinks based on what problem has been encountered. When the furnace is on and there is a no fault condition, the red LED is on.
On a typical call for heat by the integral thermostat 24 VAC is applied to the W terminal on the board.
The inducer blower circuit is energized and the inducer

blower comes on for 15 seconds pre-purging out any gas and closing the pressure switch.

The hot surface ignitor is energized and after a 17 second warm-up, the gas valve circuit is energized, opening the gas valve and igniting the burners. After burning for about 30 seconds, the circulating air blower comes on, delivering warm air to the room. If ignition does not occur, the ignition sequence is repeated again up to 2 more times. (3 trials for ignition-total)

3. After the furnace operates and satisfies the thermostat, the gas valve closes and the circulating air blower continues to run for about 2 minutes and then shuts off. The inducer blower runs for 5 seconds and shuts off.

If for any reason ignition and operation does not occur, the control board will blink the red fault status LED, a sequence code, indicating what to look for as a troubleshooting guide. If the red LED is ON but not blinking check the electronic temperature control to verify its operation. This can be easily done by disconnecting the 3 electronic temperature control leads from the main furnace board and using a pig tail jumper to connect R & W together on the board. If the furnace comes on and runs normally the temperature control board is malfunctioning. If the heater still does not come on, then the main furnace board is malfunctioning. Look for any fault codes below and verify the 3 amp fuse is not blown.

FURNACE CONTROL BOARD DIAGNOSTICS

FAULT SEQUENCE CODE — TROUBLE SHOOTING GUIDE

# of Blinks	Fault Condition	Fault Correction
Steady On	Control OK	
1 Flash	Temperature limit switch is open	-Check Circulating Air Blower Inlet or Grill Outlet for Blockage, Inducer Blower/Circulating Air Blower Run to Cool Heat Exchanger and Limit -Check for Flame Roll Out Condition Causing Roll Out Limit Switch on Burner Box to Open -Clean Circulating Air Filter
2 Flashes	Pressure switch is open with inducer on	-Check Heat Exchanger and Flue System, Outlet and Inlet for Restriction -Check Inducer Blower/Wheel for Operation/Airflow -Check Pressure Switch
3 Flashes	Pressure switch is closed with inducer off	-Check Pressure Switch and Replace
4 Flashes	Lockout due to failed ignition	-Check for Broken Ignitor -Check for Bent Ignitor Bracket - Ignitor too far from Burner -Check for Flame Sensor Malfunction/or False Ground -Check Gas Valve -Reset Thermostat
5 flashes	L1/Neutral reversed or voltage not present on L1	-Shut Off Power to Unit and Dis-Connect Cordset Plug from Wall Receptacle. Open Junction Box and Un-Reverse Polarity of Incoming Power Leads
Rapid Flash	Flame sense or internal control fault	-Check Ignitor Operation -Check Flame Sensor for Malfunction or False Grounding -Check Gas Valve -Reset Thermostat

NOTE: If the hot surface ignitor is to be replaced, be sure to disconnect all power to the unit. Be very careful in handling the new ignitor as they are fragile and can be broken easily if hit or dropped.

HOW TO ORDER REPAIR PARTS

Parts can be ordered only through your service person or dealer. For best results, the service person or dealer should order parts through the distributor. Parts can be shipped directly to the service person/dealer.

All parts listed in the Parts List have a Part Number. When ordering parts, first obtain the Model Number from the name plate on your equipment. Then determine the Part Number (not the Index Number) and the Description of each part from the following appropriate illustration and list. Be sure to give all this information.

Furnace Model Number _____ **Part Description** _____

Furnace Serial Number _____ **Part Number** _____

Type of Gas (Propane or Natural) _____

Do not order bolts, screws, washers or nuts. They are standard hardware items and can be purchased at any local hardware store.

Shipments contingent upon strikes, fires and all causes beyond our control.

PARTS LIST

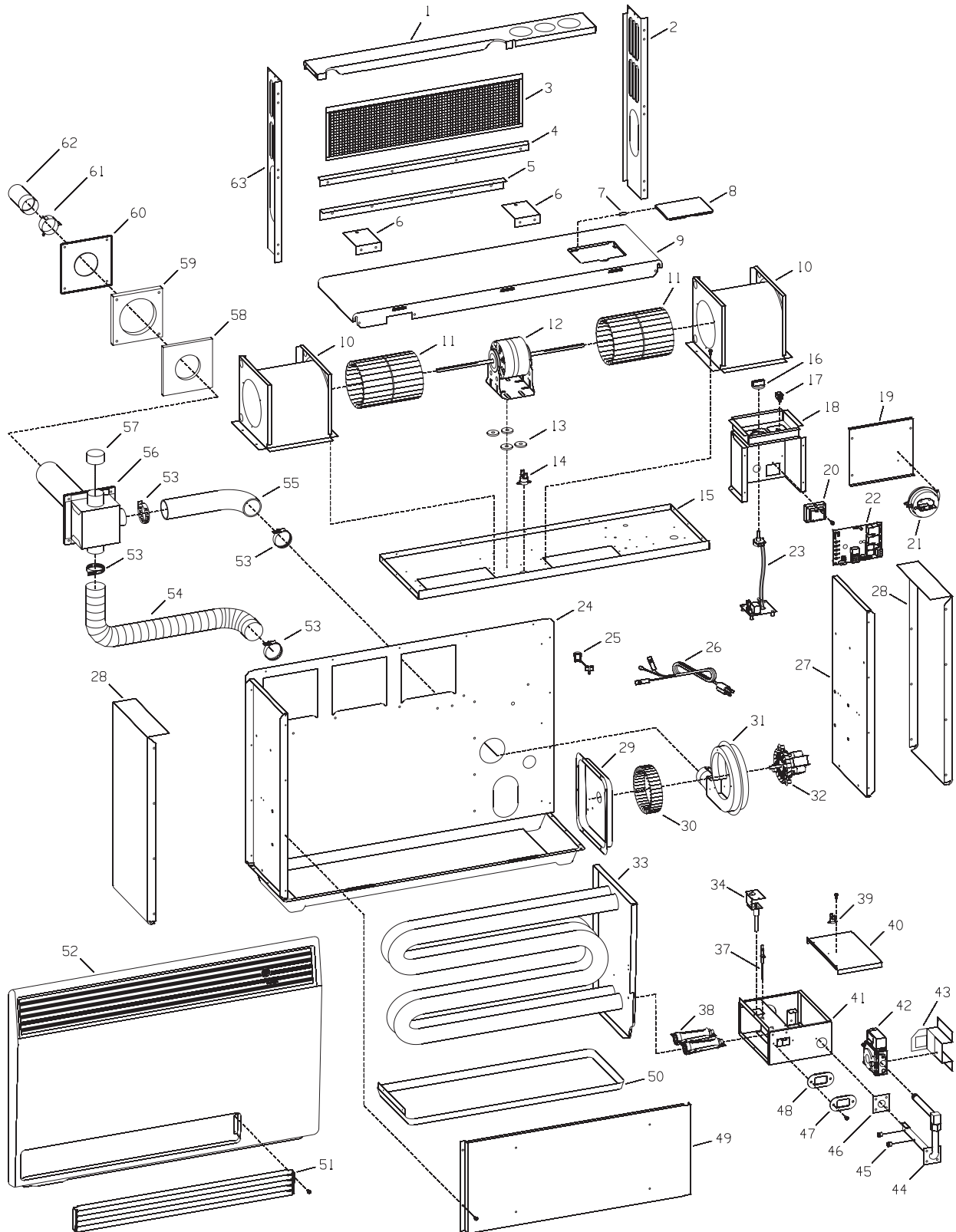
PLEASE NOTE: When ordering parts, it is very important that part number and description of part coincide.

INDEX NO.	PART NO.	DESCRIPTION
1	DV-1378	SHROUD TOP
2	DV-1376	SHROUD SIDE RIGHT
3	R-2521	AIR FILTER
4	DV-1375	FILTER RETAINER
5	DV-1379	WALL MOUNTING BRACKET
6	DV-1048	WALL BRACKET - 2 REQUIRED
7	R-2586	CONTROL DOOR PIN - 2 REQUIRED
8	19676	CONTROL DOOR ASSEMBLY
9	DV-1373	CASING TOP
10	DV-1368	BLOWER HOUSING - 2 REQUIRED
11	R-2584	BLOWER WHEEL - 2 REQUIRED
12	R-2573	BLOWER MOTOR
13	R-2598	MOTOR BASE WASHER - 4 REQUIRED
14	R-1279	LIMIT SWITCH
15	DV-1367	INNER TOP
16	R-2546	CONTROL KNOB
17	R-2522	ON/OFF SWITCH
18	19561	JUNCTION BOX
19	DV-1370	JUNCTION BOX COVER
20	R-1995	TRANSFORMER
21	R-6989	PRESSURE SWITCH
22	R-8140	CONTROL BOARD
23	R-2577A	TEMPERATURE CONTROL BOARD
24	DV-1365	CASING WELDED ASSEMBLY
25	R-1468	STRAIN RELIEF BUSHING
26	R-2099	CORD SET
27	DV-1371	INNER END
28	DV-1372	CASING SIDE - 2 REQUIRED
29	15790	COLLECTOR BOX (DV-20E-5 ONLY)
29	15791	COLLECTOR BOX (DV-40E-5 ONLY)
30	R-2519	INDUCER WHEEL
31	DV-1169	INDUCER BLOWER HOUSING
32	R-2523	INDUCER MOTOR
33	15783	EXCHANGER ASSEMBLY (DV-20E)
33	15784	EXCHANGER ASSEMBLY (DV-40E)
34	27523	IGNITOR KIT
37	R-2543	FLAME SENSOR

INDEX NO.	PART NO.	DESCRIPTION
38	R-12593	BURNER (2 REQUIRED ON DV-40E-5)
39	R-2575	FLAME ROLLOUT SWITCH
40	DV-1038	BURNER COMPARTMENT ACCESS PANEL
41	DV-1039	BURNER COMPARTMENT
42	R-3237	GAS VALVE (NATURAL GAS)
42	R-3238	GAS VALVE (PROPANE GAS)
43	DV-1366	VALVE BRACKET ASSEMBLY
44	DV-1016	MANIFOLD ASSEMBLY (DV-20E-5 ONLY)
44	DV-1013	MANIFOLD ASSEMBLY (DV-40E-5 ONLY)
45	P-88-44	ORIFICE (NATURAL GAS) - 1 REQUIRED ON DV-20E-5
45	P-88-55	ORIFICE (PROPANE GAS) - 1 REQUIRED ON DV-20E-5
45	P-88-44	ORIFICE (NATURAL GAS) - 2 REQUIRED ON DV-40E-5
45	P-88-55	ORIFICE (PROPANE GAS) - 2 REQUIRED ON DV-40E-5
46	M-148	MANIFOLD GASKET
47	DV-781	OBSERVATION HOLE COVER ASSEMBLY
48	M-155	OBSERVATION HOLE COVER GASKET
49	DV-1040	FRONT SHIELD ASSEMBLY
50	DV-1024	BOTTOM SHIELD
51	DV-1363	FRONT GRILL ASSEMBLY
52	DV-1380	CASING FRONT ASSEMBLY
53	R-2539	HOSE CLAMP - 4 REQUIRED
54	R-3113	INLET HOSE
55	R-3111	OUTLET ELBOW
56	DV-1192	VENT PAN ASSEMBLY
57	R-3114	INLET CAP
58	R-3115	WALL PLATE GASKET - INSIDE
59	R-2587	WALL PLATE GASKET - OUTSIDE
60	DV-1195	WALL PLATE - OUTSIDE
61	DV-1193	TUBE SPACER
62	DV-1194	END CAP ASSEMBLY
63	DV-1377	SHROUD SIDE LEFT
NS	DV-1361	BAFFLE - 1 REQUIRED ON DV-20E-5
NS	DV-1108	CONDENSATE KIT
NS	DV-1132	ELBOW KIT
NS	R-8142	WIRE ASSEMBLY - CONTROL BOARD 5-PIN
NS	R-2563	WIRE ASSEMBLY - CONTROL BOARD 9-PIN

NS - NOT SHOWN

PARTS VIEW



APPLIANCE SERVICE HISTORY

Date	Dealer Name	Service Technician Name	Service Performed/Notes

MASTER PARTS DISTRIBUTOR LIST

To Order Parts Under Warranty, please contact your local Empire dealer. See the dealer locator at www.empirecomfort.com. To provide warranty service, your dealer will need your name and address, purchase date and serial number, and the nature of the problem with the unit.

To Order Parts After the Warranty Period, please contact your dealer or one of the Master Parts Distributors listed below. This list changes from time to time. For the current list, please click on the Master Parts button at www.empirecomfort.com.

Please note: Master Parts Distributors are independent businesses that stock the most commonly ordered Original Equipment repair parts for Heaters, Grills, and Fireplaces manufactured by Empire Comfort Systems Inc.

Dey Distributing

1401 Willow Lake Boulevard
Vadnais Heights, MN 55101

Phone: 651-490-9191

Toll Free: 800-397-1339

Website: www.deyistributing.com

Parts: Heater, Hearth and Grills

F. W. Webb Company

200 Locust Street
Hartford, CT 06114

Phone: 860-722-2433

Toll Free: 800-243-9360

Fax: 860-293-0479

Toll Free Fax: 800-274-2004

Websites: www.fwwebb.com & www.victormfg.com

Parts: Heater, Hearth and Grills

East Coast Energy Products

10 East Route 36
West Long Branch, NJ 07764

Phone: 732-870-8809

Toll Free: 800-755-8809

Fax: 732-870-8811

Website: www.eastcoastenergy.com

Parts: Heater, Hearth and Grills

HOW TO ORDER REPAIR PARTS

Parts Not Under Warranty

Parts can be ordered through your Service Person, Dealer, or a Master Parts Distributor. See this page for the Master Parts Distributors list. For best results, the **service person or dealer** should order parts through the distributor. Parts can be shipped directly to the **service person/dealer**.

Warranty Parts

Warranty parts will need a proof of purchase and can be ordered by your Service Person or Dealer. Proof of purchase is **required** for warranty parts.

All parts listed in the Parts List have a Part Number. When ordering parts, first obtain the Model Number and Serial Number from the name plate on your equipment. Then determine the Part Number (**not** the Index Number) and the Description of each part from the following illustration and part list. Be sure to give all this information . . .

Appliance Model Number _____

Part Description _____

Appliance Serial Number _____

Part Number _____

Type of Gas (Propane or Natural) _____

Do not order bolts, screws, washers or nuts. They are standard hardware items and can be purchased at any local hardware store.

Shipments contingent upon strikes, fires and all causes beyond our control.

WARRANTY

Empire Comfort Systems Inc. warrants this space heating product to be free from defects at the time of purchase and for the periods specified below. Space heating products must be installed by a qualified technician and must be maintained and operated safely, in accordance with the instructions in the owner's manual. This warranty applies to the original purchaser only and is not transferable. All warranty repairs must be accomplished by a qualified gas appliance technician.

Limited Ten-Year Parts Warranty – Combustion Chamber

Empire promises to the owner that if the combustion chamber (see parts list) fails because of defective workmanship or material within ten years from the date of purchase, Empire will repair or replace at Empire's option.

Limited Five-Year Parts Warranty – All Other Components (Except Thermostats)

Should any part fail because of defective workmanship or material within five years from the date of purchase, Empire will repair or replace at Empire's option.

Limited Two-Year Labor Warranty – All Components (Except Thermostats)

Within two years from the date of purchase, Empire will pay reasonable labor to have defects repaired at Empire's option.

Limited One-Year Parts Warranty – Remote Controls, Thermostats

Should any remote control or thermostat fail because of defective workmanship within one year from the date of purchase, Empire will repair or replace at Empire's option.

Duties Of The Owner

The appliance must be installed by the selling dealer or his designated installer and operated in accordance with the instructions furnished with the appliance. A bill of sale, cancelled check, or payment record should be kept to verify purchase date and establish warranty period. Ready access to the appliance for service.

What Is Not Covered

Damages that might result from the use, misuse, or improper installation of this appliance.
Travel, diagnostic costs and freight charges on warranted parts to and from the factory.
Claims that do not involve defective workmanship or materials.
Unauthorized service or parts replacements.
Removal and reinstallation cost.
Inoperable due to improper or lack of maintenance.

How To Get Service

To make a claim under this warranty, please have your receipt available and contact your installing dealer. Provide the dealer with the model number, serial number, type of gas, and purchase verification. The installing dealer is responsible for providing service and will contact the factory to initiate any warranted parts replacements. Empire will make replacement parts available at the factory. Shipping expenses are not covered. If, after contacting your Empire dealer, service received has not been satisfactory, contact: Consumer Relations Department, Empire Comfort Systems Inc., PO Box 529, Belleville, Illinois 62222, or send an e-mail to info@empirecomfort.com with "Consumer Relations" in the subject line.

Your Rights Under State Law

This warranty gives your specific legal rights, and you may also have other rights, which vary from state to state.



**Empire Comfort Systems Inc.
Belleville, IL**

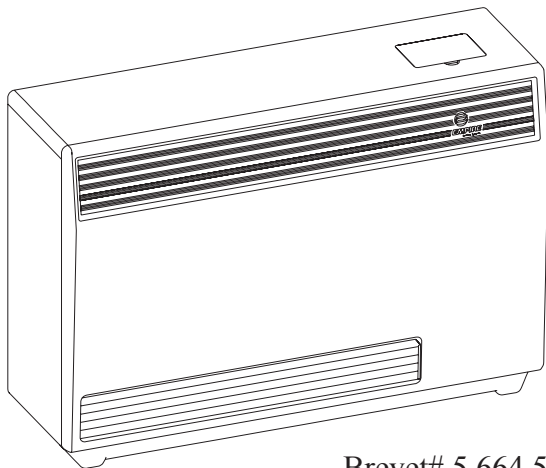
If you have a general question
about our products, please e-mail
us at info@empirecomfort.com.

If you have a service or repair
question, please contact your dealer.

SINCE 1932

www.empirecomfort.com

INSTRUCTIONS POUR L'INSTALLATION ET MANUEL DU PROPRIÉTAIRE



Brevet# 5.664.555

INSTALLATEUR :

Laissez cette notice avec l'appareil.

CONSOMMATEUR :

Conservez cette notice pour consultation ultérieure.

⚠ AVERTISSEMENT

RISQUE D'INCENDIE OU D'EXPLOSION

Si les informations contenues dans ces instructions ne sont pas suivies à la lettre, un incendie ou une explosion pourrait en résulter, causant des dommages matériels, des blessures corporelles ou la mort.

- Ne pas entreposer ni utiliser d'essence ou autres vapeurs et liquides inflammables au voisinage de cet appareil ou d'autres.
- **QUE FAIRE EN CAS D'ODEUR DE GAZ**
 - Ne pas tenter d'allumer un appareil, quel qu'il soit.
 - Ne toucher aucun interrupteur électrique; ne pas utiliser de téléphone dans le bâtiment.
 - Quitter le bâtiment immédiatement.
 - Téléphoner immédiatement au fournisseur de gaz depuis une maison voisine. Suivre les instructions du fournisseur de gaz.
 - S'il est impossible de joindre le fournisseur de gaz, appeler le service d'incendie.
- L'installation et l'entretien doivent être exécutés par un installateur qualifié, une agence de service ou par le fournisseur de gaz.

RADIATEUR MURAL À CIRCULATION FORCÉE AVEC UN ÉVENT DIRECT

POUR L'INSTALLATION DANS DES
MAISONS PRÉ-FABRIQUÉES (MAISON
MOBILE), MODULAIRES OU
RÉSIDENTIELLES

MODÈLES

DV-20E-5 | DV-40E-5



⚠ AVERTISSEMENT

S'il n'est pas installé, utilisé et entretenu selon les instructions du fabricant, ce produit pourrait vous exposer à des substances provenant de carburant ou de sa combustion qui pourraient entraîner la mort ou des maladies graves.

Cet appareil peut être posé dans une maison préfabriquée (États-Unis uniquement) ou une maison mobile installée de façon permanente, lorsque cela n'est pas interdit par la réglementation en vigueur.

Cet appareil doit être utilisé uniquement avec le type de gaz indiqué sur la plaque signalétique.

Cet appareil n'est pas convertible pour fonctionner avec d'autres gaz, sauf si une trousse de conversion certifiée est utilisée.

LA TABLE DES MATIÈRES

SECTION	PAGE
Information Importante de Sécurité	3
Information de Sécurité pour les Utilisateurs de Propane	4
Introduction	5-6
Spécifications	6
Alimentation en Gaz	8
Les Instructions Pour La Conversion des Gaz	9
Espaces Libres	10
Installation du Radiateur.	10-11
Installation du Four.	12-13
Instructions d'Allumage	14
D'Installation Électrique	15
Maintenance	16
Fonctionnement et Détection des Défectuosités	16-17
Façon de Commander les Pièces de Réparations.....	18
Listes des Pièces	18
Vue des Pièces.....	19
Garantie.....	20

INFORMATION IMPORTANTE DE SÉCURITÉ

CECI EST UN APPAREIL DE CHAUFFAGE

NE PAS FAIRE FONCTIONNER CET APPAREIL SANS QUE LE PANNEAU DU DEVANT SOIT INSTALLÉ.

- A cause des hautes températures, cet appareil doit être situé dans un endroit non achalandé et loin des meubles et des rideaux.
- Les enfants et les adultes doivent être avisés des dangers des parois très chaudes et doivent rester loin pour éviter les brûlures ou l'allumage des vêtements.
- Les petits enfants doivent être surveillés étroitement lorsqu'ils sont dans le même appartement que l'appareil.
- Les vêtements ou d'autres matériaux inflammables ne doivent pas être placés sur ou près de l'appareil.
- Tout écran de sûreté qui est enlevé lors de la réparation d'un appareil, doit être replacé avant de remettre en marche cet appareil.
- Garder propre le brûleur et le compartiment de contrôle.
- Le capuchon de l'évent est chaud lorsque le radiateur est en fonction.
- L'installation et la réparation doivent être faites par une personne qualifiée. L'appareil doit être inspecté avant l'usage et au moins une fois par année, par une personne qualifiée. S'il y a un excès de poussière venant du tapis, de la literie, etc..., de fréquents nettoyages seront requis. Il est impératif que les compartiments de commandes, les brûleurs et les passages de circulation d'air de l'appareil soient gardés propres.
- Ne rien mettre autour du radiateur qui pourrait obstruer le débit de combustion et la ventilation d'air.
- Les matériaux combustibles, la gazoline ou les vapeurs et liquides inflammables ne doivent jamais être dans le même endroit que le radiateur.
- Faire périodiquement une inspection visuelle du brûleur. Nettoyer et remplacer les pièces défectueuses.
- Ne pas utiliser ce radiateur s'il y a une pièce qui a été en contact avec l'eau. Appeler immédiatement un technicien qualifié pour inspecter le radiateur et remplacer toute pièce du système de commande et les commandes de gaz qui ont été en contact avec l'eau.

INFORMATION DE SÉCURITÉ POUR LES UTILISATEURS DE PROPANE

Le propane est un gaz inflammable qui peut causer des feux et des explosions. Dans son état naturel, le propane est inodore et sans couleur. Peut-être que vous ne connaissez pas toutes les précautions décrites ci-dessous? Elles peuvent vous protéger ainsi que votre famille contre un accident. Lisez-les attentivement dès maintenant, puis réexaminez les,

point par point avec les membres de votre famille. Un jour, lorsqu'il n'y aura pas une minute à perdre, la sécurité de chacun dépendra de votre savoir-faire. Si après avoir lu les informations suivantes, vous pensez avoir besoin de plus amples informations, s'il vous plaît contactez votre fournisseur de gaz.

AVERTISSEMENT À PROPOS DE L'ODEUR DU PROPANE

Si une fuite de gaz survient, vous devriez sentir le gaz parce qu'il y a une odeur incorporée au propane.

C'est le signal que vous devez agir immédiatement.

- N'utiliser pas les interrupteurs électriques, n'allumer pas des allumettes ou n'utiliser pas le téléphone. Ne rien faire qui pourrait enflammer le gaz.
- Évacuer tout le monde du bâtiment, des véhicules et des lieux. Faire ceci IMMÉDIATEMENT.
- Fermer toutes les soupapes d'approvisionnement des réservoirs et des bouteilles de gaz.
- Le propane est plus pesant que l'air et peut s'accumuler dans des endroits bas comme les soubassements. Lorsque vous avez des raisons de suspecter une fuite de gaz, n'allez pas dans les soubassements ou les endroits bas. Attendez que les pompiers vous assurent de la sûreté de ces endroits avant d'y aller.
- Utiliser le téléphone de votre voisin et appeler les pompiers et une personne entraînée avec le propane.
- Ne pas ouvrir les soupapes d'approvisionnement de gaz même si vous ne le sentez plus. Ne retourner pas dans le bâtiment, sur les véhicules ou sur les lieux.
- Finalement, laisser la personne qualifiée et les pompiers vérifier les fuites de gaz. Laisser-les aérer les lieux avant d'y retourner. Les personnes entraînées avec le propane devront réparer la fuite, vérifier et rallumer l'appareil au gaz, pour vous.

AUCUNE ODEUR DÉCELÉE - FAIBLE ODEUR

Il y a des personnes qui ne peuvent pas sentir très bien. Il y a des personnes qui ne peuvent pas sentir l'odeur chimique mis dans le gaz. Vous devez vérifier si vous pouvez sentir cette odeur. Fumer peut décroître votre capacité de sentir. Sentir une odeur pour un certain temps, peut affecter votre sensibilité ou votre capacité de déceler cette odeur. Quelquefois d'autres odeurs, dans le même endroit, peuvent masquer l'odeur du gaz. Il y a des personnes qui ne peuvent pas sentir l'odeur du gaz ou que leur attention est sur quelque chose d'autre. Penser à sentir l'odeur du gaz peut faciliter la capacité de sentir.

L'odeur dans le propane est sans couleur et peut s'affaiblir selon certaines circonstances. Par exemple, s'il y a une fuite souterraine, le mouvement du gaz à travers le sol peut filtrer l'odeur. Aussi, l'odeur dans le propane peut être exposée à l'oxydation. Cet affaiblissement peut survenir s'il y a de la

rouille à l'intérieur des réservoirs ou dans les tuyaux de fer pour le gaz.

L'odeur de la fuite de gaz peut être adsorbée ou absorbée sur ou dans les murs, maçonnerie et d'autres matériaux et tissus dans une chambre. Ceci enlèvera une quantité de l'odeur du gaz, affaiblissant l'intensité de la senteur.

Le propane peut stratifier dans un endroit fermé et l'intensité de l'odeur peut varier à différents niveaux. Puisque le propane est plus pesant que l'air, l'odeur peut être plus prononcée à un bas niveau. Toujours être sensible à la moindre odeur de gaz. Si vous décelez une odeur, réagissez comme si vous aviez une sérieuse fuite. Passez à l'action immédiatement en suivant les informations précédentes.

QUELQUES POINTS À RETENIR

- Apprendre à reconnaître l'odeur du propane. Votre distributeur de propane peut vous donner un échantillon que vous grattez et sentez. Utilisez-le pour savoir reconnaître l'odeur du propane. Si vous pensez que votre gaz propane a une faible ou anormale odeur, appelez votre distributeur.
- Si vous n'êtes pas qualifié, n'allumer pas la veilleuse, n'effectuer pas l'entretien ou n'ajuster pas les appareils fonctionnant au propane. Si vous êtes qualifié, soyez conscient de l'odeur du propane avant et pendant que vous allumez la veilleuse, effectuez l'entretien ou faites les ajustements.
- Quelquefois un soubassement ou une maison fermée a une senteur de mois qui peut dissimuler l'odeur de propane. N'essayez pas d'allumer des veilleuses, d'effectuer l'entretien ou de faire des ajustements dans des endroits où les conditions sont de telle sorte que vous ne pouvez pas déceler l'odeur du propane en cas de fuite.
- L'affaiblissement d'odeur, attribuable à l'oxydation par la rouille ou l'adsorption sur les parois des nouveaux réservoirs et bouteilles, est possible. Par conséquent, les personnes doivent être particulièrement prudentes lorsque de nouveaux réservoirs ou bouteilles sont mis en service. L'affaiblissement d'odeur peut se produire dans les nouveaux réservoirs ou dans les vieux réservoirs qui sont réinstallés, s'ils sont remplis et inutilisés pour une longue période de temps. La formation de rouille à l'intérieur des bouteilles et des réservoirs qui ne sont pas utilisés pour une longue période de temps, peut provoquer un affaiblissement de l'odeur. Si vous pensez que de telles conditions existent, un test de senteur de gaz est recommandé périodiquement. Si vous avez des questions à propos de l'odeur du gaz, appelez votre distributeur de propane. En toute circonstance, un test de senteur périodique du gaz propane est une mesure de prudence.
- Si en aucun temps vous ne sentez pas l'odeur du propane et que vous devriez, assumez que vous avez une fuite. Agissez immédiatement selon les recommandations ci-dessus, décrivant les actions à suivre en cas de décellement de gaz propane.
- Si vous découvrez que le réservoir est complètement vide de gaz (le réservoir n'a aucune pression de vapeur), fermez la soupape du réservoir immédiatement. Si la soupape du réservoir reste ouverte, le réservoir peut aspirer de l'air par les ouvertures, par exemple les orifices de la veilleuse. Si ceci survient, l'intérieur peut subir une additionnelle formation de rouille. Si la soupape est restée ouverte, considérez le contenant comme étant un nouveau réservoir. Soyez toujours certain que le réservoir est sous pression de vapeur; fermez la soupape du réservoir avant qu'il ne soit complètement vide et faites le remplir.

INTRODUCTION

INTRODUCTION

Toujours consulter le département de construction de votre région en ce qui regarde les règlements, les codes ou les ordonnances qui s'appliquent à l'installation d'un radiateur mural à évacuation directe.

INSTRUCTIONS POUR L'INSTALLATEUR

1. Après l'installation, l'installateur doit laisser le manuel d'instructions au propriétaire.
2. L'installateur doit expliquer au propriétaire la mise en marche et le fonctionnement du radiateur et du thermostat.
3. L'installateur doit placer l'unité près d'une prise de courant murale ayant une mise à la terre pour une puissance de 115VAC, il doit pourvoir une alimentation de gaz et munir l'unité d'un évent adéquat pour assurer un fonctionnement sécuritaire.

AVERTISSEMENT

Tout changement fait à ce radiateur ou à ces commandes peut être dangereux. Ceci est un appareil de chauffage et si un panneau, une porte ou un dispositif protecteur est enlevé pour l'entretien de cet appareil, il doit être remplacé avant de remettre en marche.

INFORMATIONS GÉNÉRALES

Ce radiateur est un modèle conformément certifié avec l'American National Standard / CSA Standard Z21.86 et CSA 2.32 par Canadian Standards Association comme étant un radiateur mural à circulation forcée avec un évent direct, devant être installé en accordance avec ces instructions.

Tout changement du modèle d'origine, installé autrement que décrit dans ces instructions ou fonctionnant avec un genre de gaz qui n'est pas indiqué sur la plaque d'identification, est la responsabilité de la personne et de la compagnie faisant ce changement.

IMPORTANT

Toute la correspondance doit mentionner le numéro complet du modèle et de la série et le genre de gaz.

Avis: Pendant le premier allumage de cette unité, de l'huile provenant de l'échangeur de chaleur peut cuire et de la fumée se produira. Pour révenir les détecteurs de fumée de se déclencher, bien ventiler l'appartement dans lequel l'unité est installée.

Installation dans les Garages Résidentiels

Tous les équipements dans les garages résidentiels employant du gaz, doivent être installés de façon à ce que les brûleurs et les appareils pour allumer

les brûleurs doivent être situés à au moins 457mm au dessus du plancher. Tous ces équipements doivent être situés ou protégés de façon à ce qu'un véhicule en se déplaçant ne puisse les endommager.

AGENCE D'INSTALLATION QUALIFIÉE

L'installation et le remplacement des tuyaux à gaz, des équipements ou accessoires, la réparation et l'entretien de l'équipement doivent être faits seulement par une agence qualifiée. Le terme 'agence qualifiée' signifie tout individu, firme, corporation ou compagnie qui est, en personne ou par un représentant, engagé et responsable de: (a) l'installation ou le remplacement des tuyaux à gaz, ou (b) la connexion, l'installation, la réparation ou l'entretien de l'équipement, qui possède l'expérience nécessaire en ce genre de travail, est familier avec les précautions requises et s'est conformé à toutes les exigences de l'autorité ayant juridiction.

L'installation doit être conforme aux codes locaux ou dans l'absence de codes locaux, avec *National Fuel Gas Code, ANSI Z223.1/NFPA 54* ou *Natural Gas and Propane Installation Code, CSA B149.1*.

** Disponible chez American National Standards Institute, Inc., 11 West 42nd St., New York, N.Y. 10036.*

L'installation d'une maison préfabriquée (USA seulement) ou une maison mobile OEM doit être conforme aux normes de Construction des Maisons préfabriquées et aux normes de sécurité, Titre 24 CFR, Section 3280 ou, lorsque ces normes ne peuvent pas être appliquées, conformez-vous aux Normes d'Installation des Maisons Préfabriquées, ANSI Z225.1 ou les Normes pour les Maisons Mobiles et pour les Véhicules Récréatifs Équipés pour le Gaz, CSA Z240.4

Hautes Altitudes

Pour des altitudes/élevations au dessus de 610m, les puissances d'entrée devront être réduites de 4% pour chaque 305m au dessus du niveau de la mer, ceci peut être accomplie en réduisant la pression dans le tuyau de gaz. La réduction maximum permise des pressions de gaz pour le gaz naturel doit être de .872kPa à .697kPa. La réduction maximum permise des pressions de gaz pour le gaz propane doit être de 2.49kPa à 1.99kPa. Lors des applications pour hautes altitudes au Canada, cet appareil est approprié pour des installations ayant une élévation entre 0m et 1372m et ceci sans changement.

INTRODUCTION (SUITE)

Lorsqu'un radiateur de catégorie 1 existant est retiré ou remplacé, le système de ventilation d'origine peut ne plus être dimensionné pour ventiler correctement les appareils raccordés. Les instructions doivent

également indiquer les effets d'un système de ventilation de taille inadéquate (formation de condensat, fuite, déversement, etc.) et doivent spécifier la procédure d'essai suivante:

⚠ AVERTISSEMENT

DANGER D'EMPOISONNEMENT AU MONOXYDE DE CARBONE

Le fait de ne pas suivre les étapes décrites ci-dessous pour chaque appareil raccordé au système d'évacuation mis en service pourrait entraîner un empoisonnement au monoxyde de carbone ou la mort.

Les étapes suivantes doivent être suivies pour chaque appareil raccordé au système de ventilation mis en service, alors que tous les autres appareils raccordés au système de ventilation ne fonctionnent pas:

1. Sceller toutes les ouvertures inutilisées dans le système d'évacuation.
2. Inspectez le système d'évacuation pour la taille et le pas horizontaux appropriés, tel que requis dans le Code national du gaz combustible, ANSI Z223.1 / NFPA 54 ou le Code d'installation du gaz naturel et du propane, CSA B149.1 et ces instructions. Déterminer qu'il n'y a pas de blocage ou de restriction, de fuite, de corrosion ou d'autres déficiences qui pourraient causer une condition dangereuse.
3. Dans la mesure du possible, fermez toutes les portes et fenêtres du bâtiment et toutes les portes entre l'espace dans lequel se trouvent les appareils raccordés au système de ventilation et les autres espaces du bâtiment.
4. Fermez les registres du foyer.

5. Allumez les sèche-linge et tout appareil non raccordé au système de ventilation. Allumez tous les ventilateurs d'extraction, tels que les hottes de cuisine et les échappements de la salle de bain, afin qu'ils fonctionnent à la vitesse maximale. Faire fonctionner un ventilateur d'extraction d'été.
6. Suivez les instructions d'allumage. Placez l'appareil en cours d'inspection. Ajustez le thermostat pour que l'appareil fonctionne continuellement.
7. Tester le déversement des appareils équipés d'un coupe-tirage au niveau de l'ouverture de dégagement de la hotte après 5 minutes de fonctionnement du brûleur principal. Utilisez la flamme d'une allumette ou d'une bougie.
8. Si une ventilation inadéquate est observée pendant l'un des essais ci-dessus, le système d'évacuation doit être corrigé conformément au Code national du gaz combustible, ANSI Z223.1 / NFPA 54 et / ou au Code d'installation du gaz naturel et du propane, CSA B149.1.
9. Après qu'il a été déterminé que chaque appareil raccordé au système d'évacuation se déclenche correctement lorsqu'il est testé comme indiqué ci-dessus, retournez les portes, les fenêtres, les ventilateurs d'extraction, les registres de cheminée et tout autre appareil à gaz à leurs conditions d'utilisation précédentes.

SPÉCIFICATIONS

Modèle	DV-20E	DV-40E
Puissance BTU/HR (KW/H)	20,000 (5.9)	40,000 (11.7)
Hauteur	26" (660mm)	26" (660mm)
Largeur	37" (940mm)	37" (940mm)
Profondeur avec le blindage	15 3/4" (400mm)	15 3/4" (400mm)
Gas Inlet (Pipe)	1/2" (13mm)	1/2" (13mm)
Électrique - Cette unité est munie d'un cordon électrique de 1.5m ayant une fiche à trois broches et pouvant se brancher à une prise de courant murale approuvée 115VAC 60HZ minimum AMPs - 5A.		

Accessories	
Évent terminal allongé pour des murs jusqu'à 813mm	DVT-2
Ensemble de rallonge pour entrée/évacuation:	
Ensemble long de 137cm avec 2 coudes	DVE-1
*Ensemble long (droit) de 137cm pour des lignes d'évent allongées	DVE-2 (utiliser avec DVE-1)
*Plateforme	DVP-1
Kit de vidange de condensat	DV-1108

*Ce kit peut nécessiter un kit de vidange de condensat DV-1108. Voir page 12 pour les exigences.

KITS DE CONVERSION		
Numéro de modèle	La description	Utilisé sur
DV1124	Propane to Naturel	DV20E-5LPG
DV1123	Naturel to Propane	DV20E-5NAT
DV1097	Propane to Naturel	DV40E-5LPG
DV1096	Naturel to Propane	DV40E-5NAT

Cette page a été intentionnellement laissée vierge.

ALIMENTATION EN GAZ

Emplacement de l'Alimentation de Gaz

La ligne de gaz peut entrer dans l'appareil soit en venant du plancher ou du mur extérieur. L'ouverture pour la ligne de gaz doit être faite à ce moment. L'emplacement de l'ouverture sera déterminé par la position des solives du plancher et par la valve et le raccord utilisé lors de l'entretien.'

Diamètre recommandé pour les tuyaux de gaz.

Longueur du Tuyau (Pieds)	Diamètre Intérieur des Tuyaux Schedule 40		Diamètre Extérieur des Tuyaux Type L	
	Naturel	Propane	Naturel	Propane
0-10ft 0-3m	1/2"	3/8"	1/2"	3/8"
10-40ft 4-12m	1/2"	1/2"	5/8"	1/2"
40-100ft 13-30m	1/2"	1/2"	3/4"	1/2"
100-150ft 31-46m	3/4"	1/2"	7/8"	3/4"

NOTE: Ne jamais utiliser des tuyaux de plastique. Assurez-vous que les codes locaux permettent les tuyaux de cuivre ou galvanisés.

NOTE: Étant donné que certaines municipalités ont des codes locaux additionnels, il est toujours préférable de consulter votre autorité locale et le code d'installation.

L'emploi des connexions de gaz suivantes est recommandé.

— ANS Z21.24 Connexions d'appareil de tuyaux et de raccords en métal ondulé.

— ANS Z21.45 Connexions flexibles d'appareil autre qu'en métal.

Les connexions ci-dessus peuvent être utilisées si elles sont acceptées par les autorités ayant juridiction. Commonwealth de Massachusetts exige qu'une connexion flexible d'un appareil n'excède pas une longueur de trois pieds

Installation d'un Nouveau Robinet Principal pour le Gaz

Chaque appareil doit avoir son propre robinet manuel de gaz. Dans l'État de Massachusetts, le robinet de gaz doit être une poignée en T.

Un robinet manuel principal doit être situé près de l'appareil. S'il n'y en a pas ou si la grosseur ou l'emplacement est inadéquat, contacter votre installateur autorisé pour l'installation ou pour changer l'emplacement.

Les composantes employées sur les joints filetés des tuyaux doivent être résistantes à l'action des gaz de pétrole liquéfiés. La canalisation de gaz doit être vérifiée par l'installateur pour des possibilités de fuites. Ceci doit être fait sur toutes les connexions exposées avec une solution savonneuse. Surveiller pour la formation de bulles. Si les connexions ne sont pas exposées, un test de pression doit être fait.

Ne jamais employer une flamme pour vérifier les fuites. Lors d'un test de pression, le tuyau d'arrivée de la valve de commande doit être débranché de l'appareil et bouché. Ne jamais faire un test de pression lorsque l'appareil est branché; la valve de commande peut être endommagée!

NOTE: La commande de gaz est munie d'une vis servant de prise pour un essai sous pression. Donc, il n'est pas nécessaire de fournir une prise de 1/8" pour essai sous pression en amont de la commande. Pour aider à l'entretien, une valve à gaz et un raccord horizontal doivent être installés sur la ligne de gaz en amont du contrôle de gaz. Le National Fuel Gas Code exige qu'une ligne d'égouttage soit installée près de l'entrée de gaz. Ceci doit consister en une longueur de tuyau vertical qui sera raccordé par un T sur la ligne de gaz et terminé au bas par un bouchon. La condensation et les particules étrangères s'y amasseront.

Lorsque vous utilisez un connecteur en cuivre ou flexible, utilisez seulement des raccords qui sont autorisés. Toujours fournir un raccord ainsi la ligne de gaz pourra être débranchée lors de l'entretien du brûleur.

Pendant un test de pression du système d'alimentation de gaz, l'appareil et sa valve de fermeture doivent être débranchés si une pression supérieure à 1/2 psig (3.5kPa) est employée.

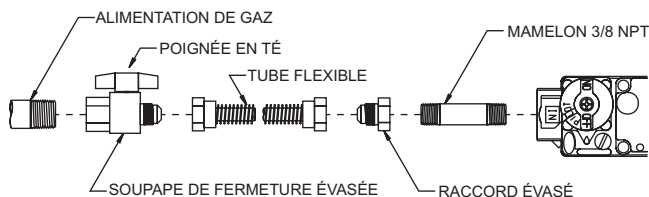
Pendant un test de pression du système d'alimentation de gaz, si une pression égale ou inférieure à 1/2 psig (3.5kPa) est employée, l'appareil doit être isolé du système d'alimentation de gaz en fermant sa propre valve de fermeture manuelle.

Attention! Si une des procédures ci-dessus occasionne une pression supérieure à 1/2 psig (3.5kPa) sur la valve de gaz de l'appareil, une situation dangereuse s'en suivra.

Vérifier les Pressions de Gaz

Un régulateur de pression est incorporé dans la valve de gaz propane et celle de gaz naturel. Les modèles pour le gaz naturel auront des pressions de gaz approximativement de 3.5" w.c. (872kPa) à la sortie de la valve et une pression d'entrée à la valve d'un minimum de 5.0" w.c. (1.245kPa) pour permettre l'ajustement à l'entrée, allant à un maximum de 10.5" w.c. (2.614kPa). Les modèles pour le gaz propane auront des pressions de gaz approximativement de 10.0" w.c. (2.49kPa) à la sortie de la valve et une pression d'entrée à la valve d'un minimum de 11.0" w.c. (2.74kPa) pour permettre l'ajustement à l'entrée, allant à un maximum de 13.0 " w.c. (3.24kPa). Une bonde N.P.T. de 1/8" (3.175mm), accessible pour vérifier le jaugeage des connexions, est située sur le côté de la sortie de la commande de gaz.

CONNEXION D'UNE LIGNE DE GAZ FLEXIBLE



CONNEXION D'UNE LIGNE RIGIDE

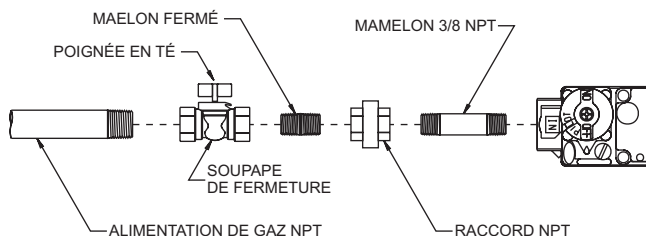


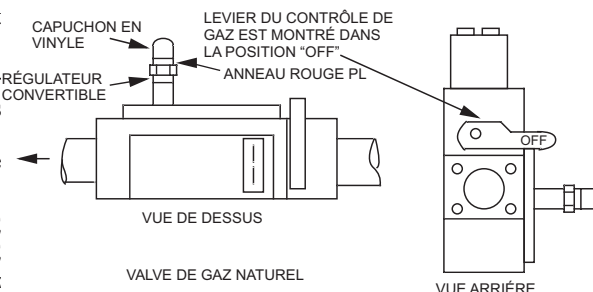
Figure 1

LES INSTRUCTIONS POUR LA TRANSFORMATION DES GAZ

Attention: Conversion doit être faite par un technicien d'entretien qualifié. Les orifices du brûleur principal et la nouvelle étiquette pour le changement des gaz sont fournis dans l'ensemble de conversion qui est attaché au tuyau de gaz.

LES INSTRUCTIONS POUR LA CONVERSION DU GAZ PROPANE AU GAZ NATUREL

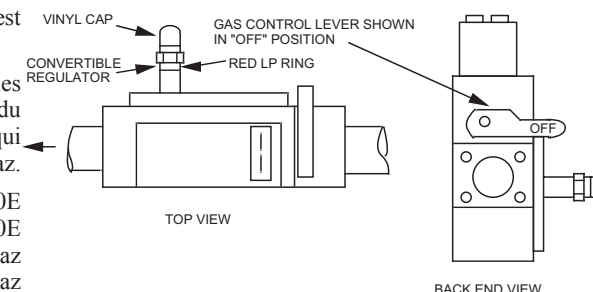
1. Avant de faire la conversion, être certain que l'alimentation de gaz du radiateur est fermée et débrancher le pouvoir électrique de l'unité.
2. Ouvrir le raccord cuivré situé entre la valve de gaz et la boîte du brûleur. Enlever les 4 vis de fixation qui retiennent la plaque de la boîte du brûleur. Enlever les 2 vis du dessus qui retiennent en place le dessus de la boîte du brûleur et puis enlever 1 vis qui retient en place l'extrémité du tuyau de gaz. Saisir le raccord et enlever le tuyau de gaz.
3. Enlever (1) l'orifice du brûleur principal au gaz propane marqué 55 pour le DV- 20E ou (2) les orifices du brûleur principal au gaz propane marqués 55 pour le DV- 40E situés dans le tuyau de gaz et remplacer avec (1) l'orifice du brûleur principal au gaz naturel marqué 44 pour le DV-20E ou (2) les orifices du brûleur principal au gaz naturel marqués 44 pour le DV-40E qui sont fournis dans l'ensemble de conversion.
4. Replacer le tuyau de gaz en étant certain de repérer l'orifice(s) à l'extrémité du brûleur. S'assurer que la plaque et le couvercle du dessus de la boîte du brûleur sont retenus en place avec les vis que vous avez enlevées auparavant. Rebrancher le raccord cuivré.
5. Enlever le capuchon de vinyle, dévisser le régulateur convertible du contrôle de gaz, changer pour gaz naturel et remettre les vis en place. L'anneau rouge PL sera en haut juste en dessous du capuchon de vinyle. Remettre le capuchon de vinyle. Référer à l'illustration pour la valve de gaz.
6. Replacer l'orifice(s) du brûleur principal pour gaz propane dans l'ensemble de conversion. Attacher l'ensemble de conversion au tuyau de gaz. Attacher la nouvelle étiquette à la plaque d'identification du radiateur pour indiquer que l'unité a été convertie pour fonctionner au gaz naturel.
7. Ouvrir l'alimentation de gaz du radiateur et vérifier toutes les connexions de gaz pour possibilité de fuite avec une solution savonneuse. Surveiller pour la formation de bulles.
8. Ouvrir le pouvoir électrique du radiateur et mettre en marche le radiateur pour vérifier le bon fonctionnement. Peut être que vous devrez essayer l'allumage plusieurs fois pour évacuer complètement l'air dans la ligne de gaz.



Attention: Conversion doit être faite par un technicien d'entretien qualifié. Les orifices du brûleur principal et la nouvelle étiquette pour le changement des gaz sont fournis dans l'ensemble de conversion qui est attaché au tuyau de gaz.

LES INSTRUCTIONS POUR LA CONVERSION DU GAZ NATUREL AU GAZ PROPANE

1. Avant de faire la conversion, être certain que l'alimentation de gaz du radiateur est fermée et débrancher le pouvoir électrique de l'unité.
2. Ouvrir le raccord cuivré situé entre la valve de gaz et la boîte du brûleur. Enlever les 4 vis de fixation qui retiennent la plaque de la boîte du brûleur. Enlever les 2 vis du dessus qui retiennent en place le dessus de la boîte du brûleur et puis enlever 1 vis qui retient en place l'extrémité du tuyau de gaz. Saisir le raccord et enlever le tuyau de gaz.
3. Enlever (1) l'orifice du brûleur principal au gaz naturel marqué 44 pour le DV-20E ou (2) les orifices du brûleur principal au gaz naturel marqués 44 pour le DV-40E situés dans le tuyau de gaz et remplacer avec (1) l'orifice du brûleur principal au gaz propane marqué 55 pour le DV-20E ou (2) les orifices du brûleur principal au gaz propane marqués 55 pour le DV-40E qui sont fournis dans l'ensemble de conversion.
4. Replacer le tuyau de gaz en étant certain de repérer l'orifice(s) à l'extrémité du brûleur. S'assurer que la plaque et le couvercle du dessus de la boîte du brûleur sont retenus en place avec les vis que vous avez enlevées auparavant. Rebrancher le raccord cuivré.
5. Enlever le capuchon de vinyle, dévisser le régulateur convertible du contrôle de gaz, changer pour gaz propane (anneau rouge sur le régulateur) et remettre les vis en place. Remettre le capuchon de vinyle. Référer à l'illustration pour la valve de gaz.
6. Replacer l'orifice(s) du brûleur principal pour gaz naturel dans l'ensemble de conversion. Attacher l'ensemble de conversion au tuyau de gaz. Attacher la nouvelle étiquette à la plaque d'identification du radiateur pour indiquer que l'unité a été convertie pour fonctionner au gaz propane.
7. Ouvrir l'alimentation de gaz du radiateur et vérifier toutes les connexions de gaz pour possibilité de fuite avec une solution savonneuse. Surveiller pour la formation de bulles.
8. Ouvrir le pouvoir électrique du radiateur et mettre en marche le radiateur pour vérifier le bon fonctionnement. Peut être que vous devrez essayer l'allumage plusieurs fois pour évacuer complètement l'air dans la ligne de gaz.



ESPACES LIBRES

1. Choisissez un endroit sur un mur qui aura un espace libre de 36" (91.4cm) de haut par 43" (109cm) de large. En choisissant un emplacement, il est nécessaire de fournir l'espace libre adéquat pour l'accès à l'installation et à l'entretien. Pour une adéquate alimentation d'électricité à l'appareil, soyez certain de placer l'unité assez près d'une prise de courant murale de 115 VAC.
2. L'unité est soutenue avec un support mural qui est attaché au mur.
3. Lorsque vous êtes devant le radiateur les espaces libres minimum des parois du radiateur aux constructions combustibles sont de 10" (254mm) sur le dessus, 3" (76mm) de chaque côté tout en recommandant 18" (457mm) pour le côté droit pour l'entretien et 0" (0mm) du plancher et 0" (0mm) au mur arrière.
4. Le tuyau d'évacuation noir rembourré qui se trouve dans l'ensemble DVE-1 ou DVE-2, a zéro (0mm) d'espace libre aux combustibles.
5. La distance minimum du centre du capuchon d'évent au coin extérieur ou obstruction le plus près est de 12" (305mm).
6. La profondeur minimum du mur est 2" (51mm) et la profondeur maximum est de 10" [254mm] (ou 32" (813mm) si vous utilisez l'ensemble d'évent terminal allongé). L'usage de tuyaux d'évacuation qui ne sont pas fournis par le fabricant, peut résulter en une performance insatisfaisante. L'évent terminal d'un événement direct d'un radiateur, ayant une puissance d'entrée de 30,000 Btu (14.6KW) par heure ou moins, doit être situé à au moins 9" (229mm) d'une ouverture dont les gaz d'échappement peuvent entrer dans le bâtiment. Le bas de l'évent terminal d'échappement et l'entrée d'air doit être situé à au moins 12" (305mm) au dessus du niveau du sol et doit être évacuer dehors.

⚠ AVERTISSEMENT

Le point le plus près du capuchon de l'évent doit être éloigné horizontalement d'un minimum de 6 pieds (1.83m) du régulateur de pression. Dans le cas d'un mal fonctionnement du régulateur, la distance de 6 pieds (1.83m) réduira la possibilité pour le gaz d'entrer par le capuchon de l'évent.

Installation sur un Tapis ou Tuille

Si cet appareil est installé directement sur un tapis, tuiles ou tout genre de matériel combustible autre qu'un plancher de bois, cet appareil doit être installé sur un panneau de métal ou de bois, celui-ci ayant la largeur et la profondeur de l'appareil.

La base que nous décrivons ci-dessus ne signifie pas le genre de base contre le feu comme il est utilisé pour les poêles à bois. La protection est pour les tapis extrêmement épais et les tuiles de couleur pâle qui pourraient se décolorer.

INSTALLATION DU RADIATEUR

Localisation de l'Ouverture Murale (Figures 2, 3 et 4)

La localisation recommandée pour ce radiateur est sur un mur extérieur. [L'unité peut être installée sur un mur intérieur mais elle doit être munie d'un évent en utilisant l'ensemble d'évent allongé et celui-ci ne doit pas dépasser 15' (4.6m) de long.] Localiser les montants du mur ainsi vous pourrez faire l'ouverture murale pour l'évent entre les montants du mur. Les montants du mur peuvent servir pour attacher le support de montage mural. L'ouverture murale pour l'évent exige un diamètre de 3-1/4" (83mm).

Référer à la Figure 2 pour placer le radiateur sur le mur et pour localiser la connexion de la ligne de gaz et l'ouverture pour l'évent. Le radiateur peut s'installer sur le plancher et doit être attaché au mur en utilisant le support mural qui est retenu au dessus arrière du blindage.

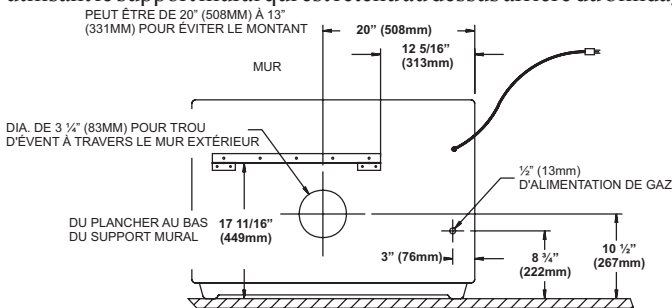


Figure 2

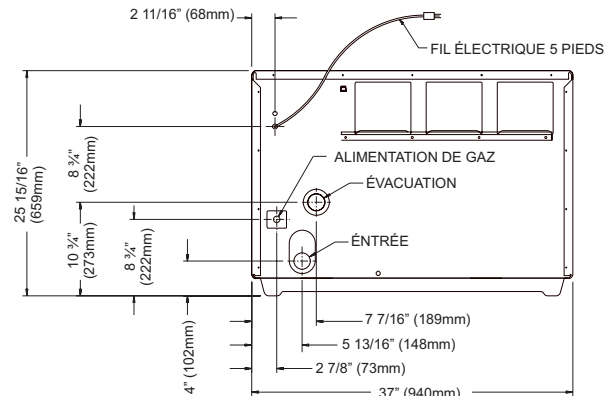


Figure 3

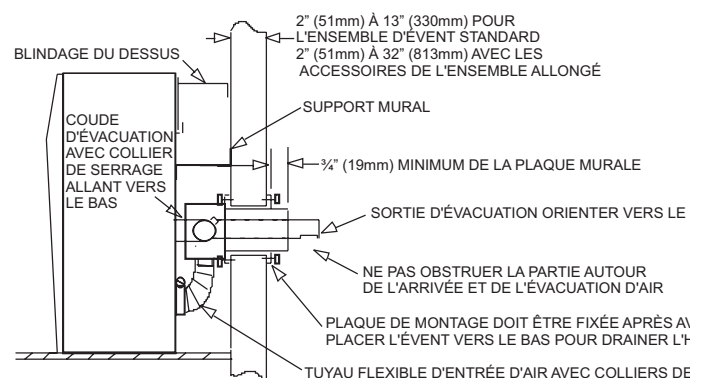


Figure 4

Installation du Support Mural (Figures 5 and 6)

Après avoir trouvé l'emplacement du radiateur, l'alimentation de gaz et l'évent, le support mural doit être placé et installé. Le support doit être attaché aux montants du mur, si possible, ou accroché solidement au mur. Utiliser les (2) vis à tête hex 10 x 1" (25mm) ou les 2 ancrages en plastique qui sont fournis. Si vous utilisez les ancrages de plastique, percez (2) trous de 5/16" (8mm) de diamètre dans le mur. Attacher les deux supports de montage muraux à la paroi arrière en utilisant (4) vis à tête hex 10 x 1/2" (13mm). Les vis sont fournies.

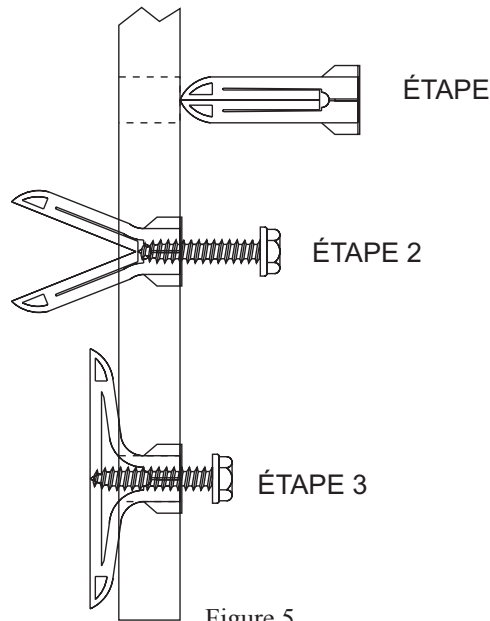


Figure 5

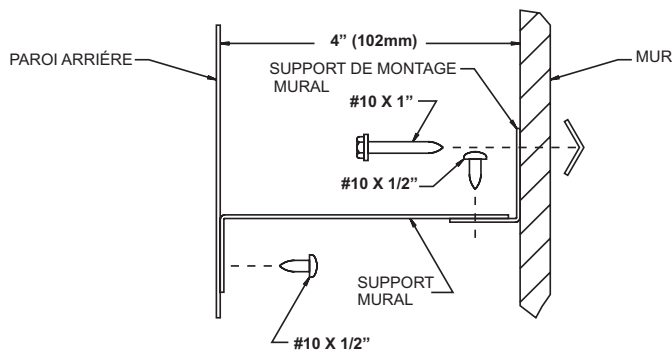


Figure 6

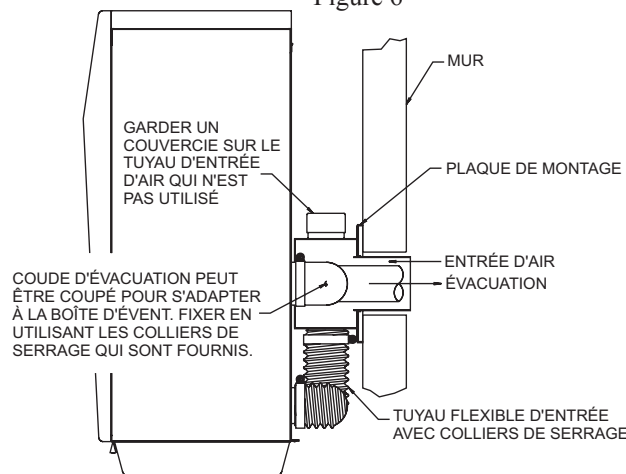
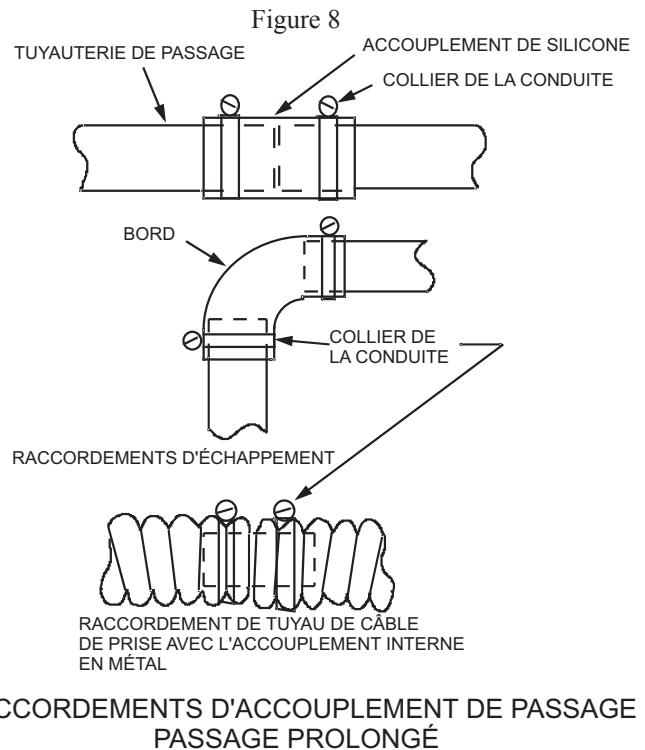
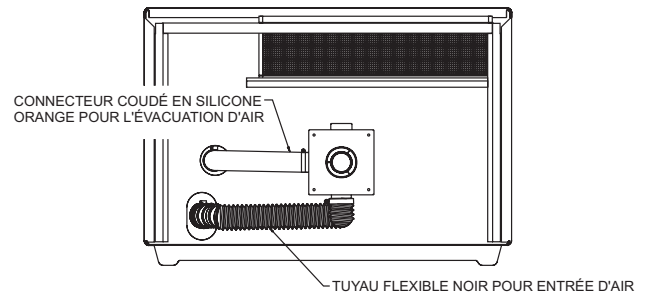


Figure 7



RACCORDEMENTS D'ACCOUPLMENT DE PASSAGE PASSAGE PROLONGÉ

Figure 9

Évacuation (Figures 7, 8 et 9)

L'évacuation des gaz de cet appareil est faite directement à l'arrière en utilisant un ensemble de tuyau d'évent concentrique, fourni avec l'appareil. Voir Figure 1 pour l'emplacement du trou d'évacuation. Si nécessaire, l'emplacement du trou peut être déplacé plus près du tuyau de sortie d'évacuation de l'appareil pour éviter les montants. Le coude d'évacuation en silicone orange devra être coupé à la bonne longueur. Ne placez pas l'évent directement derrière la sortie d'évacuation. N'utilisez pas le coude en silicone orange pour les longueurs d'évent allongé où une possibilité de condensation existe à moins que la longueur soit horizontale et que le coude se dirige vers le bas en s'éloignant du radiateur. Voir Figure 12 pour l'évent vertical allongé.

L'évent qui est fourni s'accommodera aux murs d'épaisseur allant jusqu'à 10" (254mm) et peut être raccourci pour des murs d'épaisseur moindre, en utilisant une scie à métaux. Soyez certain de laisser une longueur de tuyau d'un minimum de 3/4" (19mm) s'allongeant au-delà de la plaque murale extérieure. Les deux tuyaux, intérieur et extérieur, seront coupés de la même longueur et le tuyau d'évacuation intérieur aura une extension qui sera ajoutée lors de l'assemblage extérieur final.

INSTALLATION DU FOUR

Soyez certain d'ébarber l'extrémité coupée avec une lime. L'installation sera facile après avoir coupé l'ouverture murale. Fixer en place la boîte de l'évent terminal en utilisant les (4) vis à tête hex 10 x 1" vis qui sont fournies. Placez la boîte de façon que le milieu du tuyau d'évacuation soit dirigé vers l'ouverture de la sortie d'évacuation du radiateur. Voir Figure 8. Attachez le tuyau flexible noir d'entrée d'air de 2" (51mm) au connecteur du bas de 2" (51mm) sur la boîte d'évent en utilisant un collier de serrage. Attachez l'autre extrémité au connecteur d'entrée d'air situé au bas de la boîte en utilisant un collier de serrage. Ne pas pliez le tuyau. Attachez la longue et droite extrémité du coude d'évacuation de 2" (51mm) en silicone orange au tuyau d'évent terminal du milieu et tournez le coude vers la sortie d'évacuation du radiateur. Attachez le tuyau à la boîte d'évent en utilisant un collier de serrage. Soigneusement, poussez l'arrière du radiateur près du mur et attachez le coude d'évacuation au tuyau d'évacuation de 2" (51mm) sortant du radiateur. Attachez le coude en utilisant le dernier collier de serrage. Maintenant, le radiateur peut être fixé au mur.

Le tuyau d'évacuation du radiateur peut avoir une longueur maximum de 15' (4.6m) incluant l'évent terminal et en utilisant 2 coudes de 90°. Aussi le tuyau d'évacuation du radiateur peut avoir une longueur maximum de 10' (3m) incluant l'évent terminal et en utilisant 3 coudes de 90°. Pour les tuyaux d'évacuation plus longs, vous devez commander l'ensemble d'évent, numéro de la pièce DVE-1 et DVE-2. Voir les Figures 11 et 12 montrant les événements allongés et les options pour l'évacuation.

Note: Si vous utilisez l'ensemble d'évent allongé et que le tuyau d'échappement passera à travers un endroit froid tel qu'un grenier ou un garage, le tuyau devra être isolé en utilisant une isolation en fibre de verre de 1/2" (13mm) d'épaisseur ou l'équivalent pour garder les produits d'évacuation assez chauds pour empêcher la condensation. Aussi, l'évent terminal horizontal devra avoir une inclinaison descendante de 1/4" (6mm) pour chaque 1' (30.5cm), vers l'extérieur de la maison pour assurer aucun passage de condensation dans le système d'évacuation. Les tuyaux d'évent horizontaux d'une longueur de 5' (1.5m) ou plus peuvent accumuler de la condensation dans le tuyau d'évacuation donc ils doivent avoir une inclinaison descendante pour drainer toute condensation à l'extrémité de l'évent terminal. Utiliser des courroies ou tous supports convenables espacés de 5' (1.5m) pour soutenir adéquatement le tuyau. Soyez certain que le tuyau n'ait pas un endroit plus bas ou un affaissement. Soyez certain que toutes les connexions sont étanches en utilisant les colliers de serrage comme il est montré dans la Figure 9, "Les connexions du raccord d'évent".

Pour les murs dont l'épaisseur est plus que 10" (254mm), commander l'ensemble d'évent terminal allongé lequel peut servir pour des murs d'une épaisseur allant jusqu'à 32" (813mm). Tout dépend de l'épaisseur du mur, les tuyaux d'évent doivent être coupés à la longueur désirée.

Pour des événements allongés, il est aussi acceptable d'utiliser des tuyaux PVC ou ABS de 2" (51mm) de diamètre mais seulement pour le tuyau d'alimentation d'air de combustion à l'unité. Si vous utilisez ceci, le tuyau et les raccords doivent être conformes aux ANSI et ASTM Standards D1785 pour SCH.40 PVC, D2665 pour PVC-DWV, D2241 pour SDR-21 et SDR-26 PVC, D2661 pour

ABS-DWV et F628 pour SCH.40 ABS. Le ciment pour tuyau et la couche d'apprêt doivent être utilisés conformément avec ASTM Standard D2564 pour PVC ou D2235 pour ABS. Vous ne pouvez pas utiliser le tuyau PVC ou ABS pour le tuyau d'évacuation.

Note: Le tuyau du genre SDR n'est pas approuvé au Canada.

Pour une installation dans une nouvelle construction, le tuyau d'entrée d'air et le tuyau d'évacuation peuvent passer verticalement ou horizontalement à l'intérieur du mur avant de sortir du mur. Ceci peut être fait mais ce n'est pas la méthode d'installation préférable étant donné l'impossibilité de faire l'inspection périodique du système d'entrée d'air et d'évacuation. Si vous faites cela, il est important que le système d'entrée d'air et d'évacuation soit vraiment étanche et que l'inclinaison descendante des tuyaux horizontaux soit de 1/4" (6mm) pour chaque 1' (30.5cm). Pour drainer la condensation, les tuyaux sont inclinés vers l'extérieur allant vers l'évent terminal. Il est aussi important de supporter adéquatement les tuyaux d'entrée d'air et d'évacuation et de centrer le tuyau d'évacuation dans le mur.

Soyez certain de consulter les codes locaux avant l'installation pour vérifier les procédures autorisées.

Installation du Carter

Pour compléter l'installation intérieure, attacher le radiateur au support mural en attachant les deux supports de montage muraux au support mural en utilisant (2) vis à tête hex de 10 x 1/2" (13mm) qui sont fournies (Voir Figures 4 et 6). Lorsque vous voulez attacher la paroi du côté droit et celle du côté gauche à la paroi arrière, le rebord de la paroi de 3/4" (19mm) de largeur doit être positionné vers la paroi de côté. Lorsqu'elle est bien positionnée, les (6) volets de la paroi seront vers le haut et l'entrée défonçable sera vers le bas.

Attention: Si la paroi du côté droit et celle de gauche ne sont pas bien installées, c'est à dire que le rebord de 3/4" (19mm) de largeur doit se diriger vers l'intérieur, vous ne pourrez pas installer la paroi du dessus sur les parois de côté. La paroi du dessus vous apparaîtra 2 pouces trop étroite.

or be able to be installed onto the side shrouds. The top shroud will appear to be 2 inches, too narrow.

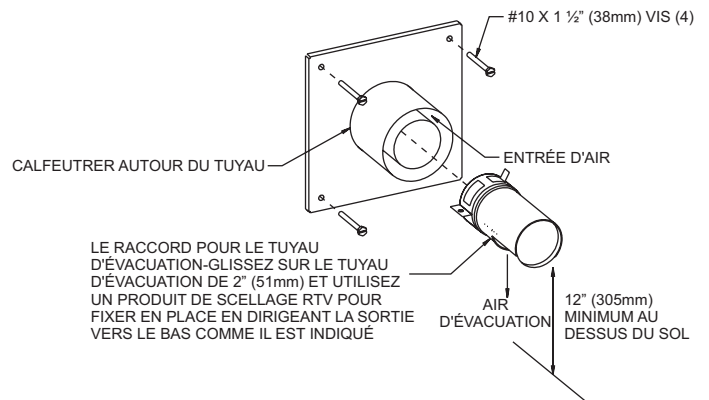


Figure 10

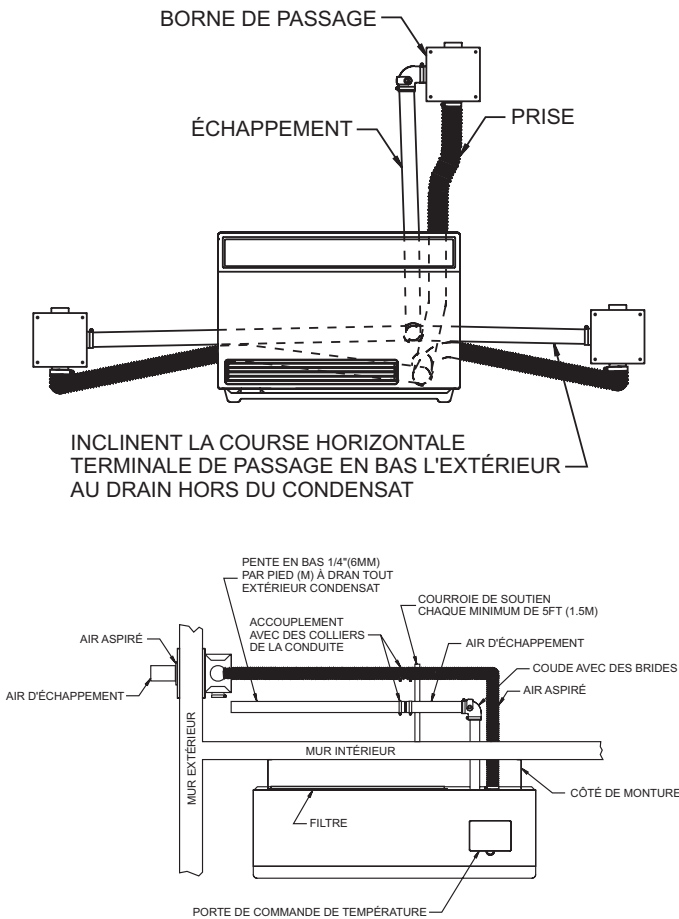


Figure 11

Évent Terminal

Placer l'isolant moussé noir de 6-3/8" x 6-3/8" (162mm x 162mm), le joint d'étanchéité de la plaque murale dans la plaque de montage. Le trou de 4-3/4" (121mm) de diamètre dans le joint d'étanchéité en isolant moussé noir permettra l'installation de l'ensemble du tuyau d'évent concentrique. Glisser en place la plaque de montage extérieure sur l'ensemble du tuyau d'évent concentrique. La plaque de montage extérieure doit être apposée étanchement contre le mur du bâtiment et fixée en place en utilisant 4 vis à tête hex 10 x 1" (26mm). Soyez certain d'assurer l'étanchéité en calfeutrant autour des tuyaux, à l'extérieur, en utilisant du silicone classé 204°C/400°F pour haute température et pour l'extérieur. Mettez du silicone sur l'extension du tuyau d'évacuation de 2" (51mm). Le couvercle pour l'extrémité peut être poussé en place sur le tuyau de sortie de l'évacuation.

Attention: L'ouverture au bas du couvercle doit être dirigée vers le sol. L'ouverture du bas ne peut pas être tournée vers la droite ou la gauche, elle doit être centrée vers le sol.

Évacuation de la Condensation

L'ensemble de drainage de condensation est utilisé avec l'ensemble d'extension pour l'entrée d'air et l'évacuation DVE-1 et DVE-2. L'ensemble de drainage pour la condensation est exigé chaque fois qu'il y a une longueur de tuyau vertical pour les tuyaux d'entrée d'air et d'évacuation dans une chambre chauffée, [10' (3m) ou plus pour le DV-40E ou 1.8m ou plus pour le DV-20E].

Chaque fois qu'il y a une longueur de tuyau verticale dans une chambre chauffée [10' (3m) ou plus pour le DV-40E ou 6' (1.8m) ou plus pour le DV-20E] combinée avec une longueur de tuyau horizontale, vous devez acheter l'ensemble facultatif de drainage de condensation, pièce numéro DV-1108. Si les longueurs de

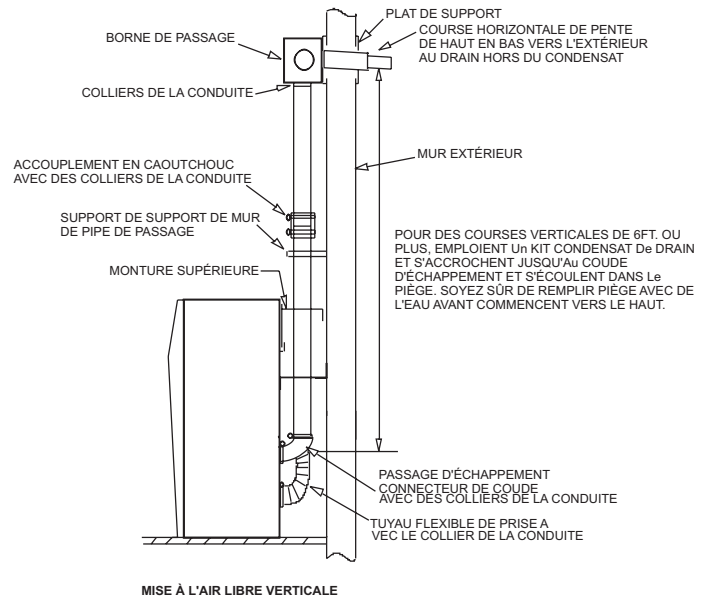


Figure 12

tuyau verticales sont moindre que celles exigées pour l'ensemble de drainage de condensation, vous pouvez incliner vers le bas et vers l'extérieur la portion du tuyau horizontale de 1/4" (6mm) pour chaque pied 30.5cm de tuyau. Par contre, si les codes locaux interdisent le drainage de condensation à l'extérieur et que l'appareil produit de la condensation, la portion horizontale du tuyau doit avoir une inclinaison descendante à l'appareil de 1/4" (6mm) pour chaque pied 30.5cm.

Ceci permettra la condensation de couler dans l'ensemble de drainage de condensation. N'utilisez pas le coude en silicone orange qui est fourni avec le radiateur pour attraper la condensation. Vous pouvez acheminer la condensation de l'ensemble de drainage de condensation vers un drain déjà existant ou dans le plateau de drainage de condensation situé dans l'appareil.

Chaque fois qu'une longueur de tuyau horizontale est utilisée, où les codes locaux le permettent, le tuyau d'évacuation peut avoir une inclinaison descendante vers l'extérieur de 1/4" (6mm) pour chaque pied 30.5cm. L'inclinaison descendante du tuyau d'évacuation permettra à la condensation de s'écouler vers l'extérieur. Si les codes locaux interdisent le drainage de condensation à l'extérieur et que l'appareil produit de la condensation, vous devez acheter l'ensemble de drainage de condensation, pièce numéro DV-1108.

Remontage et Étanchement du Système d'Évacuation et d'Entrée d'air
Lorsque le système d'évacuation et d'entrée d'air est enlevé pour réparer le radiateur, les étapes suivantes vous assureront la bonne méthode de remonter et d'assurer l'étanchéité du système d'évacuation et d'entrée d'air. Soyez certain que tous les raccords de tuyau et les montages coudés sont attachés solidement en place en utilisant les colliers de serrage que vous avez enlevés. Revisser toutes les vis qui attachent les collerettes de fixation et inspecter toutes les connexions pour obtenir l'étanchéité. Pour calfeutrer le tuyau d'entrée d'air et le tuyau d'évacuation à la plaque de montage utilisez du silicone classé 204°C/400°F pour haute température.

INSTRUCTIONS D'ALLUMAGE

POUR VOTRE SÉCURITÉ, LIRE AVANT D'ALLUMER

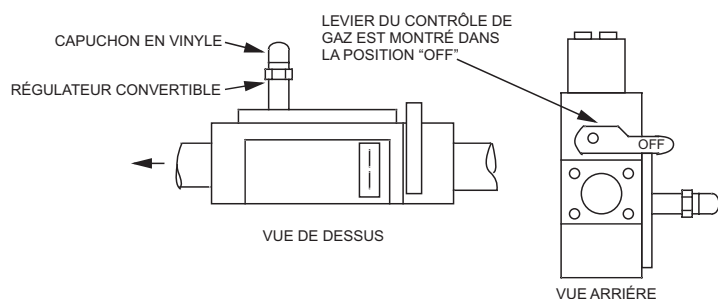
▲ AVERTISSEMENT

Si vous ne suivez pas exactement ces instructions, un feu ou une explosion peut se produire causant des dommages à la propriété, des blessures corporelles ou la mort.

- A. Cet appareil n'a pas de veilleuse. Il est muni d'un dispositif d'allumage lequel allume automatiquement le brûleur.
Ne pas essayer d'allumer le brûleur manuellement.
- B. AVANT LE FONCTIONNEMENT, sentir partout dans l'appartement dans lequel l'appareil est situé pour déceler une odeur de gaz. Soyez certain de sentir près du plancher parce qu'il y a des gaz qui sont plus pesant que l'air et ceux-ci resteront sur le plancher.
QUOI FAIRE SI VOUS SENTEZ LE GAZ.
 - N'essayer pas d'allumer un appareil.
 - Ne toucher pas les interrupteurs électriques.
 - N'utiliser pas les téléphones dans le bâtiment.
 - Appeler immédiatement votre fournisseur de gaz en employant le téléphone de votre voisin. Suivre les instructions du fournisseur de gaz.
 - Si vous ne pouvez pas contacter votre fournisseur de gaz, appeler le poste de pompiers.
- C. Utiliser seulement votre main pour pousser ou tourner le bouton de contrôle de gaz. N'utiliser jamais des outils. Si vous ne pouvez pas pousser ou tourner le bouton avec vos mains, n'essayer pas de le réparer; appeler un technicien qualifié. Forcer ou essayer de réparer peut résulter en un feu ou une explosion.
- D. Ne pas utiliser cet appareil si une pièce a été en contact avec l'eau. Appeler immédiatement un technicien qualifié pour inspecter le radiateur et remplacer toute pièce du système de commande et les commandes de gaz qui ont été en contact avec l'eau.

INSTRUCTIONS DE FONCTIONNEMENT

1. Arrêter! Lire les informations de sécurité ci-dessus.
2. Mettre le thermostat à son plus bas réglage.
3. Éteindre tout pouvoir électrique à l'appareil.
4. Cet appareil est muni d'un dispositif d'allumage lequel allume automatiquement le brûleur. Ne pas essayer d'allumer le brûleur manuellement.
5. Enlever le panneau d'accès à la commande (panneau avant).
6. Tourner le bouton de contrôle de gaz dans le sens des aiguilles d'une montre à la position "OFF."
7. Attendre 10 minutes pour se débarrasser des gaz. Après les 10 minutes, sentir partout y compris près du plancher pour déceler une odeur de gaz. Si vous sentez le gaz, ARRÊTER! Suivre "B" dans les informations de sécurité ci-dessus. Si vous ne sentez aucun gaz, aller à la prochaine étape.
8. Tourner le bouton de contrôle de gaz dans le sens antihoraire à la position "ON."
9. Replacer le panneau d'accès à la commande (panneau avant).
10. Allumer tout le pouvoir électrique de l'appareil.
11. Mettre le thermostat au réglage désiré.
12. Si l'appareil ne fonctionne pas, suivre les instructions "Pour fermer le gaz à l'appareil" et appeler votre technicien d'entretien ou votre fournisseur de gaz.



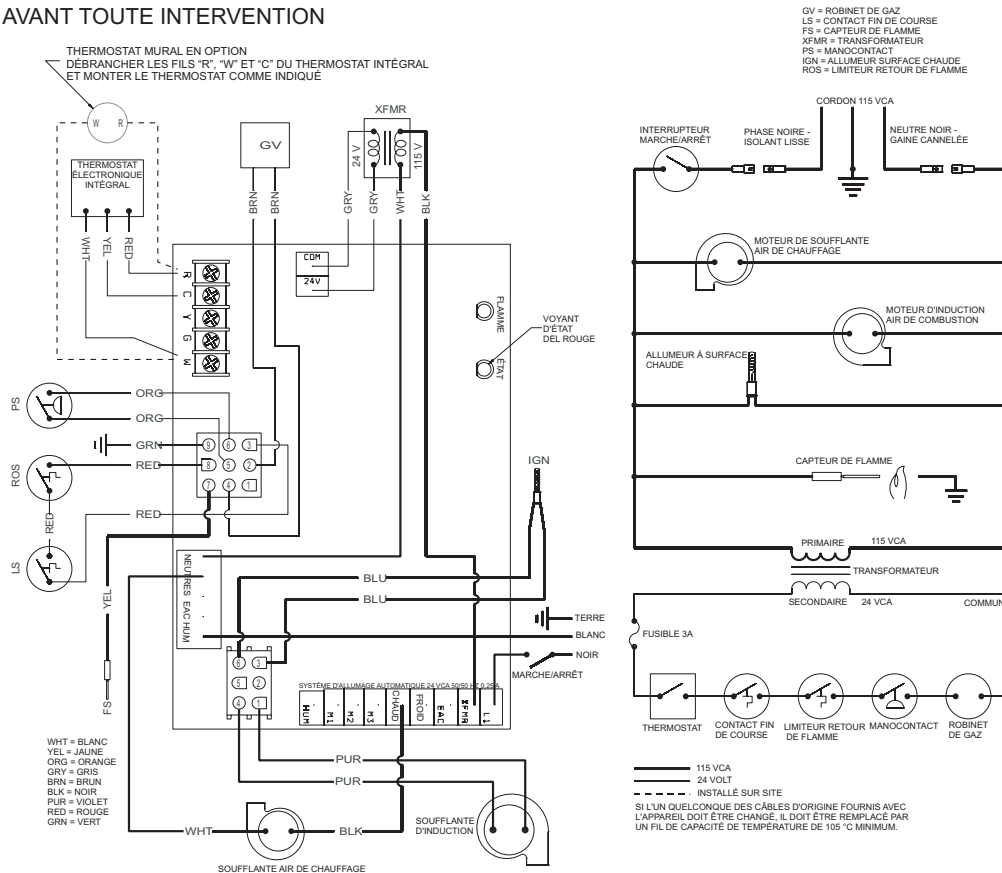
POUR FERMER LE GAZ À L'APPAREIL

1. Mettre le thermostat au plus bas réglage.
2. Si l'entretien doit être fait, éteindre tout le pouvoir électrique à l'appareil.
3. Enlever le panneau d'accès à la commande (panneau avant).
4. Tourner le bouton de contrôle de gaz dans le sens horaire à la position "OFF." Ne pas forcer.
5. Replacer le panneau d'accès à la commande (panneau avant).

D'INSTALLATION ÉLECTRIQUE

SCHÉMA DE CÂBLAGE

AVERTISSEMENT: DÉBRANCHER L'ALIMENTATION ÉLECTRIQUE AVANT TOUTE INTERVENTION



Si vous utilisez une source électrique extérieure, l'appareil, lorsqu'il est installé, doit avoir une prise de terre conforme avec les codes locaux ou dans l'absence de codes locaux, avec le National Electrical Code, ANSI/NFPA70 ou Canadian Electrical Code, CSA C22.1. Pour votre protection contre les dangers de chocs, cet appareil est muni d'une fiche à trois broches (prise de terre) qui doit être branchée directement dans une prise de courant femelle qui a été convenablement mise à la terre. Ne pas couper ou enlever la broche de mise à la terre de cette fiche. Pour une prise de courant femelle qui n'a pas de mise à la terre, un adaptateur qui a deux broches et un fil de mise à la terre peut être acheté et branché dans la prise de courant femelle qui n'a pas de mise à la terre et le fil doit être attaché à la vis du support de la prise de courant. Avec ce fil complétant la mise à la terre, la fiche de l'appareil peut être branchée dans l'adaptateur.

⚠ AVERTISSEMENT

Lors de l'entretien des commandes, tous les fils doivent être identifiés avant de les débrancher. Une erreur de filetage peut entraîner un mauvais et dangereux fonctionnement. Vérifier que le fonctionnement soit convenable après l'entretien.

NOTE: Pour tester le circuit du détecteur de flamme utiliser un compteur série micro-amp avec détecteur. Courant minimum doit être de 1 microamp pendant le fonctionnement. Soyez prudent parce que le détecteur de flamme a un circuit de 115VAC. Si le courant est moins de 1 micro-amp, enlever le détecteur, nettoyer avec un papier sablé fin et tester de nouveau.

NOTE: Ce radiateur est équipé d'une commande lumineuse à distance électronique thermistor, située au bas arrière du radiateur.

Quelquefois, étant donné la localisation de l'appareil, des courants d'air peuvent affecter la commande détectrice du thermistor. Si nécessaire, cet ampoule détectrice peut être relocalisée pour avoir une meilleure détection de l'air.

Remplacement du thermistor pour un thermostat mural de 24 volt.

1. Si le radiateur est installé, fermer l'alimentation de gaz et l'alimentation d'électricité.
2. Enlever la paroi avant.
3. Du mamelon avant sur le manostat, enlever le tuyau noir.
4. Enlever le couvercle de la boîte de jonction. (4 vis)
5. S'il vous plaît, référez vous au schéma de l'installation électrique pour enlever les fils suivants.
6. Thermostat électronique interne/Tableau de commande de température.
Attention! Aucun fil du thermostat mural de 24 volt doit être branché au thermostat électronique interne.
7. Tableau de commande.
A. De la vis marquée W, enlever le fil blanc
B. De la vis marquée C, enlever le fil jaune.
C. De la vis marquée R, enlever le fil rouge.
8. Faire passer les fils (2) du thermostat mural de 24 volt à travers la paroi arrière du radiateur et brancher ceux-ci aux vis marquées W et R sur le tableau de commande.
9. Remettre le couvercle de la boîte de jonction. (4 vis).
10. Rebrancher le tuyau noir avec le mamelon avant sur le manostat.
11. Le remplacement du thermistor pour un thermostat mural de 24 volt est complété.

MAINTENANCE

Aspect Convenable de la Flamme du Brûleur Principal

La flamme convenable pour le brûleur principal consistera d'une flamme (intérieure) primaire bleue avec une flamme secondaire (extérieure) plus large et d'un bleu plus pâle.

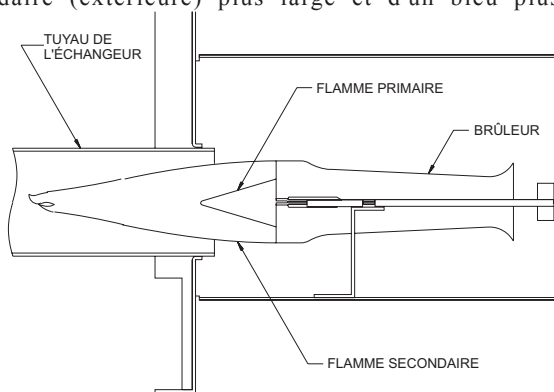


Figure 13

Nettoyage du Brûleur Principal

Enlever le brûleur(s) principal(aux) et diriger une pression d'air à l'intérieur de la gorge et des orifices du brûleur(s) principal(aux).

Enlever le Brûleur Principal

1. Enlever l'assemblage du grillage avant.
2. Enlever le panneau d'accès au compartiment du brûleur principal (2 vis).
3. Enlever le brûleur(s) principal(aux) du compartiment du brûleur (2 vis pour chaque brûleur principal).

Enlever la Valve de Gaz

1. Enlever l'assemblage du grillage avant.
2. De la valve de gaz, débrancher le raccord du tuyau de gaz.
3. De la valve de gaz, enlever (2) deux fils de 24 volt. Identifier les fils avant de les débrancher de la valve de gaz.
4. Enlever la valve de gaz du support de la valve de gaz.

Enlever les Orifices du Brûleur Principal

1. Enlever l'assemblage du grillage avant.
2. Enlever le panneau d'accès du compartiment du brûleur (2 vis).
3. Débrancher le raccord du tuyau de gaz.
4. Débrancher les supports du raccord du tuyau de gaz (5 vis).

Enlever l'Allumeur et le Détecteur de Flamme

1. Enlever l'assemblage du grillage avant.
2. Enlever l'allumeur du compartiment du brûleur (2 vis).
3. Enlever le détecteur de flamme du compartiment du brûleur (1 vis).

Nettoyage de l'Ensemble de Combustion (Échangeur)

UNE PERSONNE D'ENTRETIEN QUALIFIÉE doit enlever l'ensemble de combustion (échangeur). Diriger une pression d'air à l'intérieur de l'ensemble de combustion (échangeur) de façon à débloquer tous les passages.

Huiler

Le moteur de la soufflerie a un trou pour l'huile situé à chaque bout du moteur. Utiliser seulement de l'huile à moteur #20. Nous recommandons de huiler le moteur quelque fois durant la saison de chauffage en employant 2 ou 3 gouttes chaque fois.

FONCTIONNEMENT ET DÉTECTION DES DÉFECTUOSITÉS

Votre nouveau radiateur vous apportera plusieurs années de performance sans trouble, par contre, une inspection annuelle des brûleurs, des tuyaux d'évacuation et l'ensemble d'évent extérieur doit être faite. Soyez certain que tous les tuyaux sont dégagés et sans obstruction ou sans une accumulation de suie. Soyez certain de fermer tout le pouvoir électrique à l'appareil lorsque vous exécutez cette inspection.

Périodiquement enlever le filtre à air circulant et nettoyer avec de l'eau pour enlever les saletés. Secouer pour faire sécher et réinstaller le dans l'appareil

Fonctionnement du Système

1. Ce radiateur a un thermostat électronique et un tableau de commande pour surveiller la température de la pièce et puis contrôler le fonctionnement du radiateur, ceci procurera le meilleur confort et performance venant d'un appareil de chauffage. Pour faire fonctionner l'unité, tourner l'interrupteur en/hors circuit à la position en circuit et puis tourner lentement le bouton de contrôle de température dans le sens horaire jusqu'à ce que le radiateur se mette en marche. Pour obtenir un confort normal dans la pièce, le bouton de contrôle doit être pointé vers médium.
2. Le tableau de commande du radiateur suit une séquence d'opération lequel permet un auto-diagnostic au cas qu'il y est un mal fonctionnement. Alors le tableau de commande clignotera un signal lumineux, un nombre de clignotants prédéterminé et basé sur le genre de mal fonctionnement rencontré. Lorsque le radiateur fonctionne et qu'il n'y a pas de problème, la DEL verte est en circuit.
Lors d'un appel normal de chaleur par le thermostat intégral, 24 VAC est appliqué à la borne W sur le tableau.
Le circuit d'induction pour la soufflerie est alimenté et l'inducteur de la soufflerie se met en marche pour 15 secondes purgeant tout gaz et fermant l'interrupteur de pression.
L'allumeur à surface chaude est alimenté et après un 17 secondes de réchauffement, le circuit de la valve de gaz est alimenté ouvrant la valve

de gaz et allumant les brûleurs. Après avoir brûlé pour 30 secondes, la soufflerie d'air circulant se met en marche pour distribuer de l'air chaud dans la chambre. Si l'allumage ne survient pas, la séquence d'allumage est répétée pour 2 autres fois. (3 essais d'allumage- au total).

3. Après que le radiateur fonctionne et que le thermostat atteint la température satisfaisante, la valve de gaz se ferme et la soufflerie d'air circulant continue de fonctionner pour à peu près 2 minutes et puis s'arrête. L'inducteur de la soufflerie fonctionne pour 5 secondes et puis s'arrête.
Si pour une raison quelconque l'allumage et le fonctionnement ne surviennent pas, le tableau de commande clignotera la DEL verte, un code séquentiel indiquera le problème en vous référant au guide de détection des défauts. Si la DEL verte est en circuit mais ne clignote pas, vérifiez la commande de température électronique pour voir si elle fonctionne. Ceci peut être facilement fait en débranchant les (3) conducteurs de la commande de température électronique qui est située sur la plaque principale du radiateur et utilisez une pince crocodile pour connecter ensemble le R(rouge) & B(bleu) sur le tableau.
Si le radiateur démarre et fonctionne normalement, alors le tableau de commande de la température ne fonctionne pas bien. Si le radiateur ne démarre pas, alors le tableau principal du radiateur ne fonctionne pas bien. Regardez ci-dessous les codes pour défauts de mal fonctionnement et vérifiez si le fusible de 3amp est toujours en bon état.

DIAGNOSTIC DU CIRCUIT DE COMMANDE DE CHAUDIÈRE
CODE D'ERREUR SÉQUENTIEL — GUIDE DE DÉPANNAGE

Clignotements	État d'erreur	Correction de l'erreur
Allumé en continu	Commande OK	
1 clignotement	Le rupteur thermique est ouvert	-Vérifier l'absence d'obstruction de l'admission ou la grille de refoulement de soufflante d'air de chauffage, conduite de soufflante d'induction/air de chauffage vers échangeur et rupteur -Voir s'il y a un retour de flamme causant l'ouverture du limiteur de retour de flamme sur le brûleur -Nettoyer le filtre d'air de chauffage
2 clignotements	Le manocontact est ouvert avec la soufflante d'induction en marche	-Vérifier l'absence de restriction du système d'échangeur et cheminée, de l'admission et du refoulement -Vérifier le fonctionnement/écoulement d'air de la soufflante/roue d'induction -Contrôler le manocontact
3 clignotements	Le manocontact est fermé avec la soufflante d'induction arrêtée	-Contrôler et changer le manocontact
4 clignotements	Verrouillage causé par l'absence d'allumage	-Contrôler l'état de l'allumeur -Vérifier le bon état du support d'allumeur - Allumeur trop loin du brûleur -Contrôler le fonctionnement du capteur de flamme/absence de fausse terre -Contrôler le robinet de gaz -Réinitialiser le thermostat
5 clignotements	L1/Neutre inversés ou absence de tension sur L1	-Couper l'alimentation de l'appareil et débrancher le cordon de la prise murale. Ouvrir le boîtier de jonction et rectifier la polarité des fils d'arrivée de courant
Clignotement rapide	Erreur de détection de flamme ou de commande interne	-Contrôler le fonctionnement de l'allumeur -Contrôler le fonctionnement du capteur de flamme/absence de fausse terre -Contrôler le robinet de gaz -Réinitialiser le thermostat

Remarque : Si l'allumeur à surface chaude doit être changé, veiller à débrancher toute alimentation électrique de l'appareil. Manipuler l'allumeur neuf avec beaucoup de précaution car il est fragile et peut se casser en cas de heurt ou de chute.

FAÇON DE COMMANDER LES PIÈCES DE RÉPARATION

Les pièces peuvent être commandées seulement par l'entremise du technicien d'entretien ou du vendeur. Pour de meilleurs résultats, le technicien d'entretien ou le vendeur devrait commander les pièces chez le distributeur. Les pièces peuvent être expédiées directement au technicien d'entretien ou au vendeur.

Toutes les pièces énumérées dans la liste ont un numéro de pièce. Lorsque vous commandez des pièces, premièrement obtenez le numéro du modèle sur la plaque d'identification de l'appareil. Puis en vous référant à l'illustration et à la liste des pièces, déterminer le numéro de la pièce (pas le numéro d'index) et la description de chaque pièce. Soyez certain de donner toutes ces informations ...

Numéro du modèle du radiateur _____ Description de la pièce _____

Numéro de série du radiateur _____ Numéro de la pièce _____

Sorte de Gaz (Propane ou Naturel) _____

Ne pas commander les boulons, les vis, les rondelles ou les écrous. Ce sont des pièces standard que vous pouvez acheter dans les quincailleries. L'expédition des marchandises se fera sans délai, excepté en cas de grèves, de feux ou toutes autres circonstances indépendantes de notre volonté.

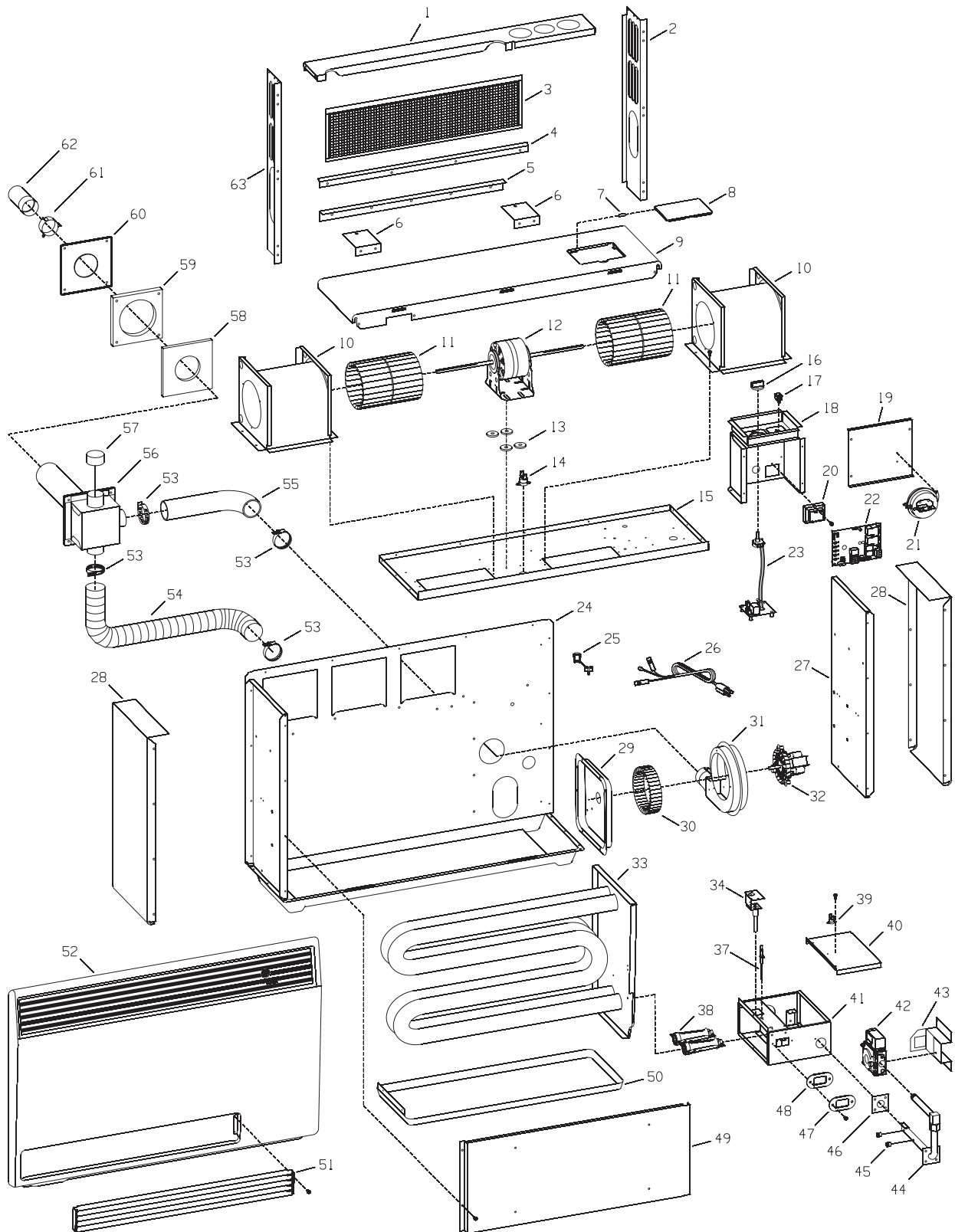
Empire Comfort Systems, Inc. Nine Eighteen Freeburg Ave. Belleville, IL 62222-0529

LISTE DES PIÈCES

S'IL VOUS PLAÎT NOTER: LORSQUE VOUS COMMANDEZ LES PIÈCES, IL EST TRÈS IMPORTANT QUE LE NUMÉRO DE LA PIÈCE ET LA DESCRIPTION COÏNCIDENT.

NUMÉRO D'INDEX	NUMÉRO DE LA PIÈCE	DESCRIPTION	NUMÉRO D'INDEX	NUMÉRO DE LA PIÈCE	DESCRIPTION
1	DV-1378	Blindage du dessus	41	DV-1039	Compartiment du brûleur
2	DV-1376	Blindage du côté droit	42	R-3237	Valve de gaz (Gaz Naturel)
3	R-2521	Filtre à air	42	R-3238	Valve de gaz (Gaz Propane)
4	DV-1375	Support pour filtre	43	DV-1366	Assemblage de Support de la valve
5	DV-1379	Support de montage mural	44	DV-1016	Assemblage des tuyaux de gaz (DV-20E-5 seulement)
6	DV-1048	Support mural - exige 2	44	DV-1013	Assemblage des tuyaux de gaz (DV-40E-5 seulement)
7	R-2586	Goujon de la porte de commande – exige 2	45	P-88-44	Orifice (Gaz Naturel) exige 1 pour le DV-20E-4
8	DV-1381	Porte de commande	45	P-88-55	Orifice (Gaz Propane) exige 1 pour le DV-20E-5
9	DV-1373	Paroi du dessus	45	P-88-44	Orifice (Gaz Naturel) exige 2 pour le DV-40E-5
10	DV-1368	Compartiment de la soufflerie - exige 2	45	P-88-55	Orifice (Gaz Propane) exige 2 pour le DV-40E-5
11	R-2584	Roue de la soufflerie - exige 2	46	M-148	Joint d'étanchéité pour le tuyau de gaz
12	R-2573	Moteur de la soufflerie	47	DV-781	Assemblage du couvercle du trou d'observation
13	R-2598	Rondelle pour la base du moteur – exige 4	48	M-155	Joint d'étanchéité du couvercle pour le trou d'observation
14	R-1279	Interrupteur de fin de course	49	DV-1040	Assemblage de l'écran protecteur avant
15	DV-1367	Dessus intérieur	50	DV-1024	L'écran protecteur du bas
16	R-2546	Bouton de commande	51	DV-1363	Assemblage du grillage avant
17	R-2522	Interrupteur en/hors circuit	52	DV-1380	Assemblage de la paroi avant
18	DV-1029	Boîte de jonction	53	R-2539	Collier de serrage - exige 4
19	DV-1370	Couvercle de la boîte de jonction	54	R-3113	Tuyau d'entrée
20	R-1995	Transformateur	55	R-3111	Coude de la sortie
21	R-6989	Interrupteur de pression	56	DV-1192	Ensemble du plateau de l'évent
22	R-2576	Tableau de commande	57	R-3114	Couvercle d'entrée
23	R-2577A	Tableau de contrôle de température	58	R-3115	Joint d'étanchéité de la plaque murale- Intérieur
24	DV-1365	Assemblage des parois soudées	59	R-2587	Joint d'étanchéité de la plaque murale - Extérieur
25	R-1468	Bague d'allègement de tension	60	DV-1195	Plaque murale - Extérieur
26	R-2099	Cordon électrique	61	DV-1193	Écarteur pour les tuyaux
27	DV-1371	Extrémité intérieure	62	DV-1194	Couvercle pour l'extrémité.
28	DV-1372	Paroi de côté - exige 2	63	DV-1377	Blindage du côté gauche
29	15790	Boîte collectrice (DV-20E-5 seulement)	NS	DV-1361	Déflecteur - exige 1 pour DV-20E-5
29	15791	Boîte collectrice (DV-40E-5 seulement)	NS	DV-1108	Ensemble de drainage
30	R-2519	Roue d'induction	NS	DV-1132	Ensemble coudé
31	DV-1169	Compartiment de la soufflerie d'induction	NS	R-8142	Assemblée De Fil - Tableau De Commande 5-Pin
32	R-2523	Moteur d'induction	NS	R-2563	Assemblée De Fil - Tableau De Commande 9-Pin
33	15783	Assemblage de l'échangeur (DV-20E-5 seulement)			
33	15784	Assemblage de l'échangeur (DV-40E-5 seulement)			
34	27523	Kit D'Ignitor			
37	R-2543	Détecteur de flamme			
38	R-12593	Brûleur (exige 2 pour le DV-40E-5)			
39	R-2575	Interrupteur rotatif de la flamme			
40	DV-1038	Panneau d'accès du compartiment du brûleur			

VUE DES PIÈCES



GARANTIE

Empire Comfort Systems Inc. garantit que ce produit de chauffage est exempt de défauts au moment de l'achat et pour les périodes indiquées ci-dessous. Les produits de chauffage des locaux doivent être installés par un technicien qualifié et doivent être entretenus et utilisés en toute sécurité, conformément aux instructions du manuel du propriétaire. Cette garantie s'applique uniquement à l'acheteur original et n'est pas transférable. Toutes les réparations sous garantie doivent être effectuées par un technicien d'appareils à gaz qualifié.

Garantie Limitée De Dix Ans Sur Les Pièces - Chambre De Combustion

Empire promet au propriétaire que si la chambre de combustion (voir la liste des pièces) tombe en panne à cause d'un navire ou d'un matériel de fabrication défectueux et qu'il a dix ans à compter de la date d'achat, Empire réparera ou remplacera à sa convenance.

Garantie Limitée De Cinq Ans Sur Les Pièces - Tous Les Autres Composants (Sauf Les Thermostats)

En cas de défaillance d'une pièce en raison d'un vice de fabrication ou de matériel dans les cinq ans suivant la date d'achat, Empire réparera ou remplacera, à la discrétion d'Empire.

Garantie Limitée De Deux Ans Sur La Main-D'œuvre - Tous Les Composants (Sauf Les Thermostats)

Dans les deux ans suivant la date d'achat, Empire paiera une main d'œuvre raisonnable pour faire réparer les défauts à Option Empire.

Garantie Limitée D'un An Sur Les Pièces - Télécommandes, Thermostats

En cas de défaillance de la télécommande ou du thermostat en raison d'un défaut de fabrication dans un délai d'un an à compter de la date d'achat, Empire réparera ou remplacera à sa convenance.

Devoirs Du Propriétaire

L'appareil doit être installé par le revendeur ou son installateur désigné et utilisé conformément aux instructions fournies avec l'appareil. Un acte de vente, un chèque annulé ou un enregistrement de paiement doit être conservé pour vérifier la date d'achat et établir la période de garantie. Accès rapide à l'appareil pour le service.

Ce Qui N'est Pas Couvert

Les dommages pouvant résulter de l'utilisation, de la mauvaise utilisation ou de l'installation incorrecte de cet appareil.
Frais de déplacement, de diagnostic et de transport des pièces sous garantie à destination et en provenance de l'usine.
Réclamations n'impliquant pas un défaut de fabrication ou de matériaux.
Service ou remplacement de pièces non autorisé.
Frais de suppression et de réinstallation.
Inutilisable en raison d'un manque d'entretien ou de maintenance.

Comment Obtenir Du Service

Pour faire une réclamation dans le cadre de cette garantie, veuillez vous procurer votre reçu et contacter votre revendeur. Fournissez au revendeur le numéro de modèle, le numéro de série, le type de gaz et la vérification d'achat. Le revendeur installateur est responsable de la prestation des services et contactera l'usine pour procéder au remplacement de pièces sous garantie. Empire fabriquera des pièces de rechange à l'usine. Les frais d'expédition ne sont pas couverts. Si, après avoir contacté votre revendeur Empire, le service reçu n'a pas été satisfaisant, contactez: Relations avec les consommateurs Département, Empire Comfort Systems Inc., boîte postale 529, Belleville, Illinois 62222, ou envoyer un courriel à info@empirecomfort.com avec «Relations clients» dans la ligne d'objet.

Vos Droits En Vertu De La Loi De L'état

Cette garantie donne vos droits légaux spécifiques et vous pouvez également avoir d'autres droits, qui varient d'un État à l'autre.



SINCE 1932

Empire Comfort Systems Inc.
Belleville, IL

Pour toute question générale concernant nos produits, veuillez nous envoyer un courriel à info@empirecomfort.com.

Pour toute question d'entretien ou de réparation, veuillez contacter votre concessionnaire.

www.empirecomfort.com