

# Primo Oval G 420



**NEW FOR  
2017**



The **Primo Oval G 420** transcends standard gas grills by integrating a premium grade ceramic shell. Unlike metal gas grills that radiate high amounts of heat and pull the moisture out of food, the ceramic shell of the Primo Oval G 420 acts as an insulator to retain more heat and help retain the natural moisture and oils of the food. Every Primo is built for years of use and enjoyment.



## Specifications

Grill Head Weight .....	172 lbs. ....	78.01kg
Grill & Cart Weight .....	291 lbs. ....	131.99kg
Cooking Area .....	420 sq in.....	2,710cm <sup>2</sup>
Optional Rack System .....	195 sq in. ....	1,258cm <sup>2</sup>
Total Cooking Area .....	615 sq in .....	3,968cm <sup>2</sup>
Cooking Grid .....	19.5" x 28" .....	47cm x 64cm
Temperature Range .....	220°-650°F+ .....	104°C-342°C+
BTU-per-hour Input (Main) .....	21,000 .....	(4) Burners

## Features

- < Comes Fully Assembled
- < Grill Head/Cart Ship Together
- < Grill Head Only for Built-in Applications
- < Patented Oval Design
- < Premium-Grade Ceramics
- < 304 Stainless Exterior (Head)
- < 304 Stainless Side Shelves
- < 304 Stainless Cooking Grates
- < 304 Stainless Tube Burners
- < 304 Stainless Flavor Grids
- < (2) High Temp. Tube Burners
- < (2) Low Temp. Tube Burners
- < (2) Sliding Storage Drawers
- < LP Tank Compartment w/Tank Securing Tab
- < Powder Coated Steel Cart
- < Fold-Down Side Shelves
- < Smoker Box Included
- < Full-size Drip Tray
- < Rounded Edges
- < (2) Locking Casters
- < Optional Racks & Accessories
- < Grill Head Only: Natural Gas\*
- < Grill Cart: LP\*

*\*Gas conversion orifices are included with each model.*



# Primo Oval G 420 Accessories



## Grill Cover

Protect your grill from the elements with our grill cover. Custom fitted with embroidered Primo logo.



## Heat Deflector Plates

Converts your grill into an oven, for roasting and smoking. *Heat Deflector Racks Required.*



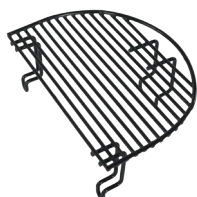
## Heat Deflector Racks

Holds the Heat Deflector Plates for indirect cooking and may be used to hold a drip pan.



## Chicken/Turkey Sitters

Add flavor and moisture into whole poultry. Add herbs or make "beer can" chicken.



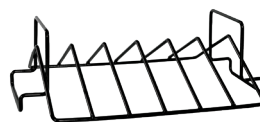
## Extension Rack(s)

Two extension racks add almost 50% more cooking area to the grill. One rack per box. All extension racks are compatible.



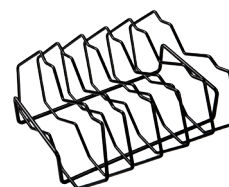
## Baking/Pizza Stones

Bake bread, hot appetizers and true wood-fired pizza. Available in glazed and natural finish.



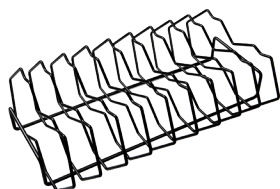
## "V" Rack

Roast or smoke large cuts of meat simultaneously. Invert it (shown) to hold multiple racks of ribs or other cuts of meat.



## 5-Slot Rib Rack

The rib rack allows you to easily smoke up to five racks of ribs or other meats. Porcelain coated for easy cleaning. One rack per box.



## 9-Slot Rib Rack

The rib rack allows you to easily smoke up to nine racks of ribs or other meats. Porcelain coated for easy cleaning. One rack per box.



## Grate Lifter

Easily remove the cooking grate or any of our racks from the grill. Chrome plated steel for years of use.



## Grate Cleaning Bar

The cleaning fork easily removes food residue from cooking grate rods and it will not damage the stainless steel grates.



## Gasket Replacement

These high heat-resistant replacement kits can be installed in less than 30 minutes and are designed to last for years.





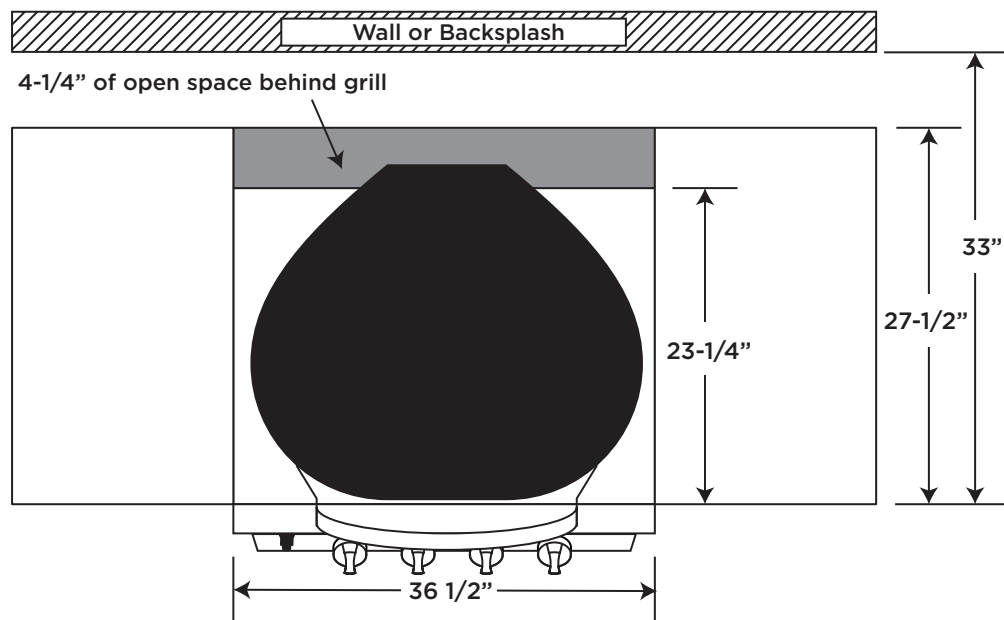


# G420H HEAD UNIT ONLY CUTOUT AND INSTALLATION

## Top View

**NOTE:** 4-1/4" open space behind grill shroud is required for hinge clearance.

**NOTE:** 10" of clearance from back of hinge required to open lid.



**NOTE:** The control panel is designed to protrude past the front of the countertop surface. (fig. 1)

**IMPORTANT:** The G420H is a slide-in installation, not a hanging installation. The base of the metal grill surround must be supported from the bottom edges.

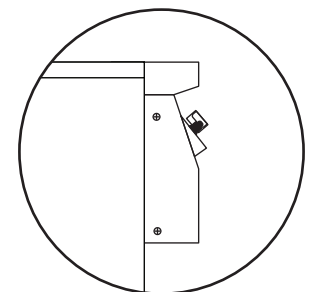
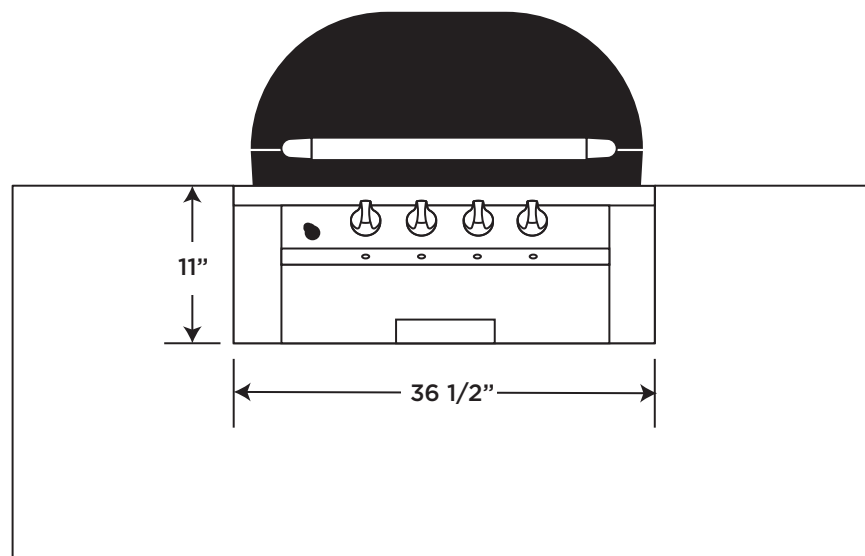


fig. 1

## Front View



\* Note: If installing this grill in a combustible enclosure, the correct insulating liner must be used. Consult liner instructions for counter cut-out dimensions and installation.