

# Installation Manual

## Installation and Appliance Setup

**INSTALLER:** Leave this manual with party responsible for use and operation.  
**OWNER:** Retain this manual for future reference.

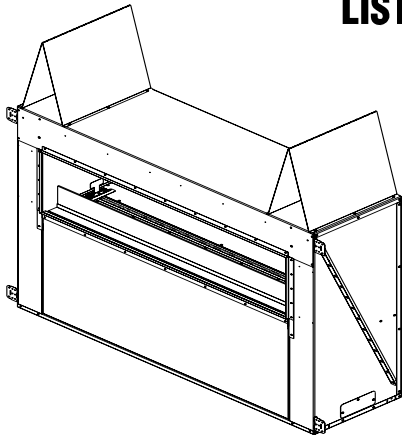
**NOTICE:** DO NOT discard this manual!



### Models:

ODPALG-48  
ODPALGST-48

GAS-FIRED



### **⚠ WARNING! Risk of Fire!**

Do not install glass doors on this fireplace.  
Glass doors could cause overheating of adjacent structures.

### **⚠ DANGER**

If you smell gas:

1. Shut off gas to the appliance.
2. Extinguish any open flame.
3. If odor continues, keep away from the appliance and immediately call your gas supplier or fire department.

### **⚠ WARNING: For Outdoor Use Only.**

### **⚠ WARNING**

Do not store or use gasoline or other flammable vapors and liquids in the vicinity of this or any other appliance.

An LP-cylinder not connected for use shall not be stored in the vicinity of this or any other appliance.

**⚠ WARNING:** Improper installation, adjustment, alteration, service or maintenance can cause injury or property damage. Read the installation, operating and maintenance instructions thoroughly before installing or servicing this equipment.

# **⚠ DANGER**



### **CARBON MONOXIDE HAZARD**

This appliance can produce carbon monoxide which has no odor.

Using it in an enclosed space can kill you.

Never use this appliance in an enclosed space such as a camper, tent or home.

## ▲ Safety Alert Key:

- **DANGER!** Indicates a hazardous situation which, if not avoided will result in death or serious injury.
- **WARNING!** Indicates a hazardous situation which, if not avoided could result in death or serious injury.
- **CAUTION!** Indicates a hazardous situation which, if not avoided, could result in minor or moderate injury.
- **NOTICE:** Used to address practices not related to personal injury.

## Table of Contents

Installation Standard Work Checklist . . . . .	3
--	---

### 1 Product Specific and Important Safety Information

A. Appliance Certification . . . . .	4
B. BTU Specifications . . . . .	4
C. High Altitude Installations . . . . .	4
D. Non-Combustible Materials Specification . . . . .	4
E. Combustible Materials Specification . . . . .	4
F. Electrical Codes . . . . .	4
G. Fuel . . . . .	4

### 2 Getting Started

A. Design and Installation Considerations . . . . .	5
B. Tools and Supplies Needed . . . . .	5
C. Inspect Appliance and Components . . . . .	6

### 3 Framing and Clearances

A. Appliance/Decorative Front Dimension Diagrams . . . . .	7
▶ B. Clearances to Combustibles . . . . .	9
C. Vent Termination Minimum Clearances . . . . .	12
D. Hearth Extension/Floor Protection . . . . .	13
E. Stand-Alone Installation . . . . .	13
F. Built-in Installation . . . . .	13
G. Moisture Resistance . . . . .	13

### 4 Appliance Preparation

A. Securing and Leveling Appliance . . . . .	14
B. Flashing . . . . .	14

### 5 Electrical Information

A. Wiring Requirements . . . . .	15
B. Intellifire Wiring . . . . .	15
▶ C. Installing the Electrical . . . . .	15
▶ D. Wall Switch Control Panel . . . . .	18

### 6 Gas Information

A. Fuel Conversion . . . . .	19
B. Gas Pressure . . . . .	19
C. Gas Connection . . . . .	19
D. Valve Access . . . . .	20
E. High Altitude Installations . . . . .	21

### 7 Finishing

A. Facing Material . . . . .	22
B. Mantel and Wall Projections . . . . .	22

### 8 Appliance Setup

A. Remove the Shipping Materials . . . . .	25
B. Clean the Appliance . . . . .	25
C. Optional Accessories . . . . .	25
D. Verify Pilot Shield . . . . .	25
E. Clear Crystal Media . . . . .	25
F. Remove Media Placement Template . . . . .	25
G. Glass Windshields . . . . .	25

### 9 Reference Materials

A. Accessories . . . . .	26
--------------------------	----

➔ = Contains updated information.

# Installation Standard Work Checklist

## ATTENTION INSTALLER: Follow this Standard Work Checklist

This standard work checklist is to be used by the installer in conjunction with, not instead of, the instructions contained in this installation manual.

<b>Customer:</b> _____ <b>Lot/Address:</b> _____  <b>Model (circle one):</b> <b>ODPALG-48</b> <b>ODPALGST-48</b>	<b>Date Installed:</b> _____ <b>Location of Fireplace:</b> _____ <b>Installer:</b> _____ <b>Dealer/Distributor Phone #</b> _____ <b>Serial #:</b> _____
--	---

**WARNING! Risk of Fire or Explosion!** Failure to install appliance according to these instructions could lead to a fire or explosion.

		YES	IF NO, WHY?
<b>Appliance Install Section 3 &amp; 4 (Pg. 7-14)</b>			
Verified that the enclosure is sealed.	<input type="checkbox"/>		_____
Required non-combustible board is installed.	<input type="checkbox"/>		_____
Verified clearances to combustibles.	<input type="checkbox"/>		_____
Fireplace is leveled and secured.	<input type="checkbox"/>		_____
<b>Electrical Section 5 (Pg. 15-18)</b>			
Unswitched power (110-120 VAC) provided to the appliance.	<input type="checkbox"/>		_____
Switch wires properly installed.	<input type="checkbox"/>		_____
<b>Gas Section 6 (Pg.19-21)</b>			
Proper appliance for fuel type.	<input type="checkbox"/>		_____
Was a conversion performed?	<input type="checkbox"/>		_____
Leak check performed and inlet pressure verified.	<input type="checkbox"/>		_____
<b>Finishing Section 7 (Pg. 22-24)</b>			
Combustible materials not installed in non-combustible areas.	<input type="checkbox"/>		_____
Verified all clearances meet installation manual requirements.	<input type="checkbox"/>		_____
Mantels and wall projections comply with installation manual requirements.	<input type="checkbox"/>		_____
<b>Appliance Setup Section 8 (Pg. 25)</b>			
All packaging and protective materials removed (inside & outside of appliance).	<input type="checkbox"/>		_____
Media installed correctly.	<input type="checkbox"/>		_____
Mesh, doors, or decorative front properly installed.	<input type="checkbox"/>		_____
Manual bag and all of its contents are removed from inside/under the appliance and given to party responsible for use and operation.	<input type="checkbox"/>		_____
Started appliance and verified no gas leaks exist.	<input type="checkbox"/>		_____

**Hearth & Home Technologies recommends the following:**

- Photographing the installation and copying this checklist for your file.
- That this checklist remain visible at all times on the appliance until the installation is complete.

**Comments:** Further description of the issues, who is responsible (Installer/ Builder/ Other Trades, etc) and corrective action needed \_\_\_\_\_  
 \_\_\_\_\_  
 \_\_\_\_\_

Comments Communicated to party responsible \_\_\_\_\_ by \_\_\_\_\_ on \_\_\_\_\_  
 (Builder / Gen. Contractor/) (Installer) (Date)

# 1 Product Specific and Important Safety Information

## A. Appliance Certification

**MODEL:** ODPALG-48, ODPALGST-48

**LABORATORY:** Underwriters Laboratories, Inc. (UL)

**TYPE:** Outdoor Decorative Gas Appliances

**STANDARD:** ANSI Z21.97-2014, CSA 2.41-2014

This product is listed to ANSI standards for “Outdoor Decorative Gas Appliances” and “Gas Fired Appliances for Use at High Altitudes.”

**NOTICE:** *This installation must conform with local codes. In the absence of local codes you must comply with the National Fuel Gas Code, ANSI Z223.1-latest edition in the U.S.A. and the CAN/CGA B149 Installation Codes in Canada.*

## B. BTU Specifications

Models	Max Input BTUH	Natural Gas Orifice Size	Propane Orifice Size
ODPALG-48 ODPALGST-48	43,000	0.125	.076(#48)

## C. High Altitude Installations

**NOTICE:** *If the heating value of the gas has been reduced, these rules do not apply. Check with your local gas utility or authorities having jurisdiction.*

When installing above 2000 feet elevation:

- In the USA: Reduce input rate 4% for each 1000 feet above 2000 feet.
- In CANADA: Input ratings are certified without a reduction of input rate for elevations up to 4500 feet (1370 m) above sea level. Please consult provincial and/or local authorities having jurisdiction for installations at elevations above 4500 feet (1370 m).

Check with your local gas utility to determine proper orifice size.

## D. Noncombustible Materials Specification

Material which will not ignite and burn. Such materials are those consisting entirely of steel, iron, brick, tile, concrete, slate, glass or plasters, or any combination thereof.

Materials that are reported as passing **ASTM E 136, Standard Test Method for Behavior of Materials in a Vertical Tube Furnace at 750 °C** shall be considered non-combustible materials.

## E. Combustible Materials Specification

Materials made of or surfaced with wood, compressed paper, plant fibers, plastics, or other material that can ignite and burn, whether flame proofed or not, or plastered or unplastered shall be considered combustible materials.

## F. Electrical Codes

**NOTICE:** *This appliance must be electrically wired and grounded in accordance with local codes or, in the absence of local codes, with **National Electric Code ANSI/NFPA 70-latest edition** or the **Canadian Electric Code CSA C22.1**.*

- A 110-120 VAC circuit for this product must be protected with ground-fault circuit-interrupter protection, in compliance with the applicable electrical codes.

## G. Fuel

This appliance must not be used to burn solid fuel.

When an appliance is connected to a fixed piping system, the installation must conform with local codes, or in the absence of local codes with the **National Fuel Gas Code, ANSI Z223.1/NFPA 54, or International Fuel Gas Code**.

## 2 Getting Started

### A. Design and Installation Considerations

The Palazzo series gas appliance is designed for outdoor use and may be installed as a stand alone unit or built into a wall. It may be installed in screened porches and lanais that meet these minimum requirements:

- Minimum porch area - 96 square feet
- Minimum ceiling height - 88 in.
- Minimum distance from top of appliance opening to ceiling - 50 1/8 in.

A minimum of two walls can be screened but must be open to outside ventilation. Minimum requirements are:

- Minimum screen area - 64 square feet
- Minimum screen top height - 80 in.

If this appliance is to be installed within a wall, you must:

- Provide access to the gas controls.
- Slope outdoor floor (and hearth) away from appliance.
- Flash the perimeter of the appliance, corners and the appliance face in a manner consistent with regional practices as required to prevent water penetration around the appliance or manage water that may penetrate the appliance. See Section 3 for more information regarding wall and enclosure construction.



The appliance may be installed on a wood or noncombustible deck.

Refer to Section 3 for clearances.

Installation MUST comply with local, regional, state and national codes and regulations. Consult the authorities having jurisdiction over restrictions, installation inspection and permits.

Before installing, determine the following:

- Where the appliance is to be installed.
  - Clearance to side walls
  - Location of indoor appliance terminations, air inlets, gas meters, etc.
  - Doors
  - Location of the fireplace to a door that swings open to ensure it does not interfere with the fireplace when opened
  - Windows
  - Walkways
  - Wires
  - Possibility of flooding or running water
- Gas supply piping requirements.
- Electrical wiring requirements.
- Framing and finishing details.

	Installation and service of this appliance should be performed by qualified personnel. Hearth & Home Technologies recommends HHT Factory Trained or NFI certified professionals.	
--	--	---

Improper installation, adjustment, alteration, service or maintenance can cause injury or property damage. For assistance or additional information, consult a qualified service technician, service agency or your dealer.
---

### B. Tools and Supplies Needed

Before beginning the installation be sure that the following tools and building supplies are available.

Tape measure	Framing material
Pliers	Hammer
Phillips screwdriver	Manometer
Gloves	Framing square
Voltmeter	Electric drill and bits (1/4 in.)
Plumb line	Safety glasses
Level	Reciprocating saw
3/4 in. wrench	Crescent wrench
7/8 in. wrench	1/4 in. nut driver
7/16 in. wrench	Pipe sealant
Flat blade screwdriver	
Non-corrosive leak check solution	
1/2 - 3/4 in. length, #6 or #8 Self-drilling screws	
Caulking material (300°F minimum continuous exposure rating)	

## C. Inspect Appliance and Components

- Carefully remove the appliance and components from the packaging.
- Remove noncombustible material located on front of the appliance.
- Remove crystal media which is packaged separately and located beneath the firebox.
- Remove wall control which is located on the top standoff.
- Remove blue protective coating.
- Report any damaged in shipment to your dealer.
- **Read all of the instructions before starting the installation. Follow these instructions carefully during the installation to ensure maximum safety and benefit.**

**WARNING! Risk of Fire or Explosion!** Damaged parts could impair safe operation. **DO NOT** install damaged, incomplete or substitute components.

Hearth & Home Technologies disclaims any responsibility for, and the warranty will be voided by, the following actions:

- Installation and use of any damaged appliance.
- Modification of the appliance.
- Installation other than as instructed by Hearth & Home Technologies.
- Improper positioning of the media.
- Installation and/or use of any component part not approved by Hearth & Home Technologies.

**Any such action may cause a fire hazard.**

**WARNING! Risk of Fire, Explosion or Electric Shock!** **DO NOT** use this appliance if any part has been under water. Call a qualified service technician to inspect the appliance and to replace any part of the control system and/or gas control which has been under water.

# 3 Framing and Clearances

## A. Appliance Dimension Diagrams

Dimensions are actual appliance dimensions. Use for reference only. For framing dimensions and clearances refer to Figure 3.3 and Figure 3.4.

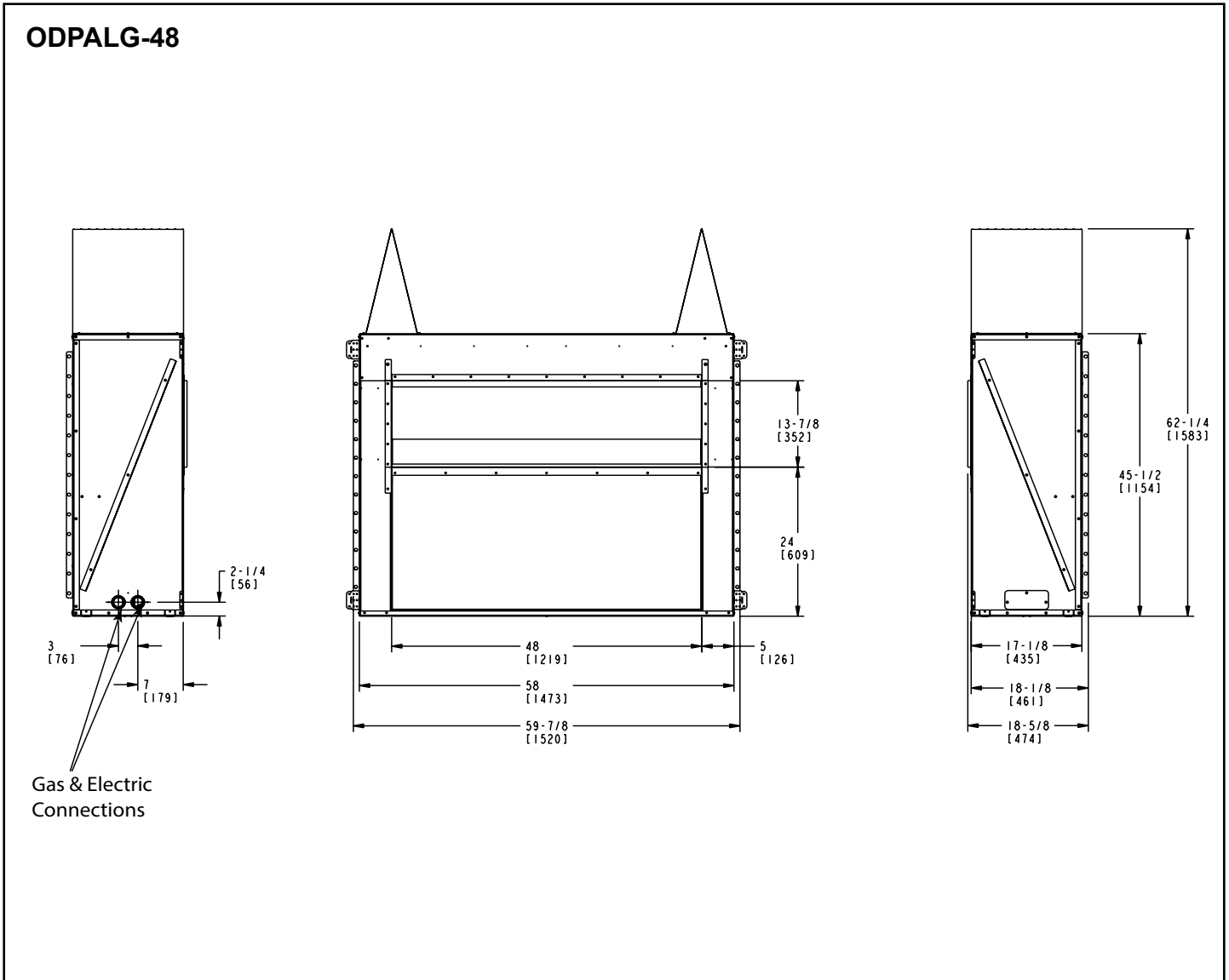


Figure 3.1 Appliance Dimensions - ODPALG-48

# ODPALGST-48

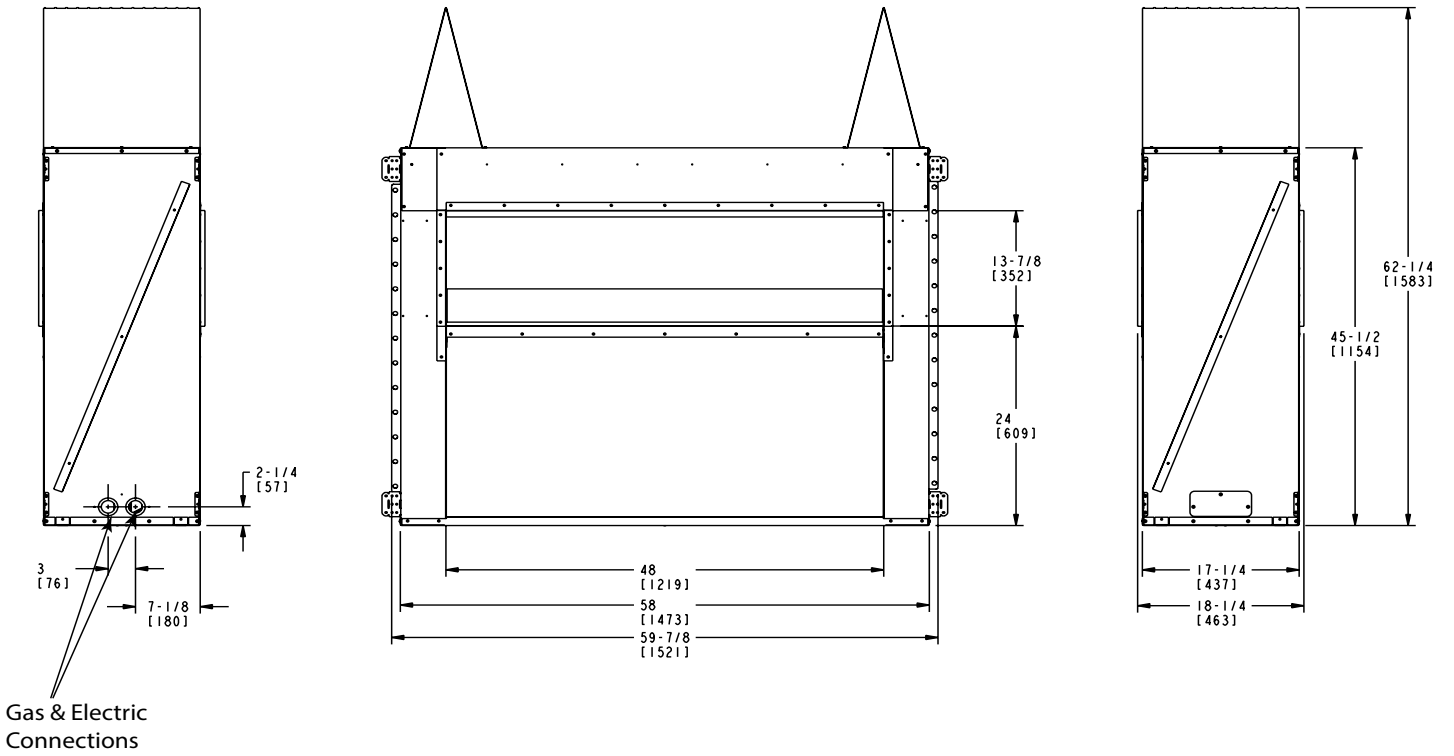


Figure 3.2 Appliance Dimensions - ODPALGST-48



## B. Clearances to Combustibles

When selecting a location for the appliance it is important to consider the required clearances to walls (see Figure 3.3, 3.4, 3.5 & 3.6).

**WARNING! Risk of Fire or Burns!** *Provide adequate clearance around air openings and for service access. Due to high temperatures, the appliance should be located out of traffic and away from furniture and draperies.*

**WARNING! Risk of Fire or Burns!** *The appliance is hot and wind may cause flames to reach out in front.*

- Keep furniture, draperies and other combustibles away.
- Locate the appliance away from traffic areas.
- Clean up fallen leaves, branches and other combustible materials before using the appliance.
- See Figure 3.3, 3.4 & 3.5 for required clearances.
- Only install on wood or solid noncombustible surfaces extending full width and depth to prevent damage.

**WARNING! Risk of Fire!** *Maintain specified air space clearances to appliance:*

- *Insulation and other materials must be secured to prevent accidental contact.*
- *The chase/enclosure must be properly blocked to prevent blown insulation or other combustibles from entering and making contact with the appliance.*
- *Failure to maintain airspace may cause overheating and a fire.*

# ODPALG-48 SINGLE SIDED

**NOTICE:** Illustrations reflect typical installations and are FOR DESIGN PURPOSES ONLY. Illustrations/diagrams are not drawn to scale. Actual installation may vary due to individual design preference.

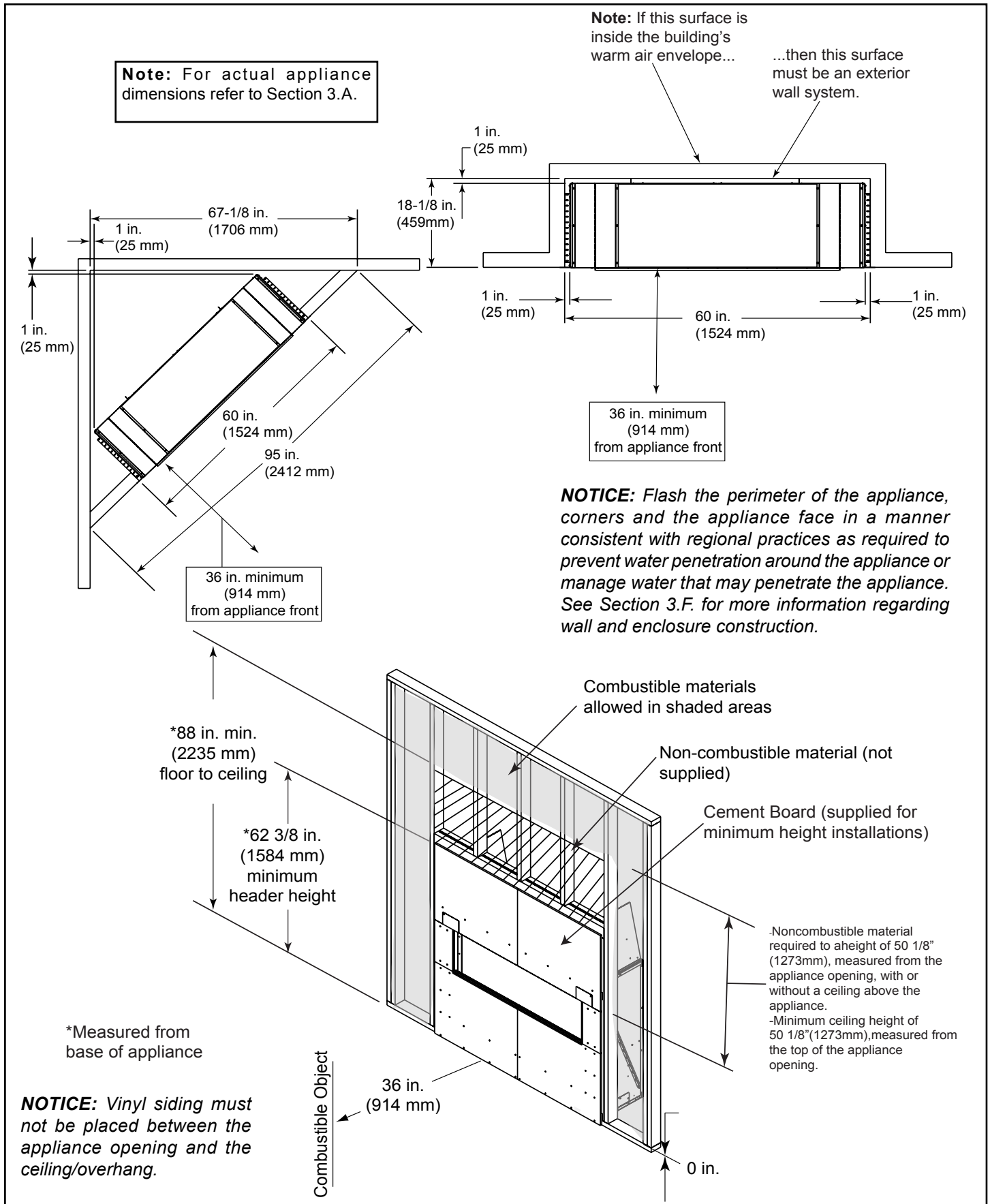
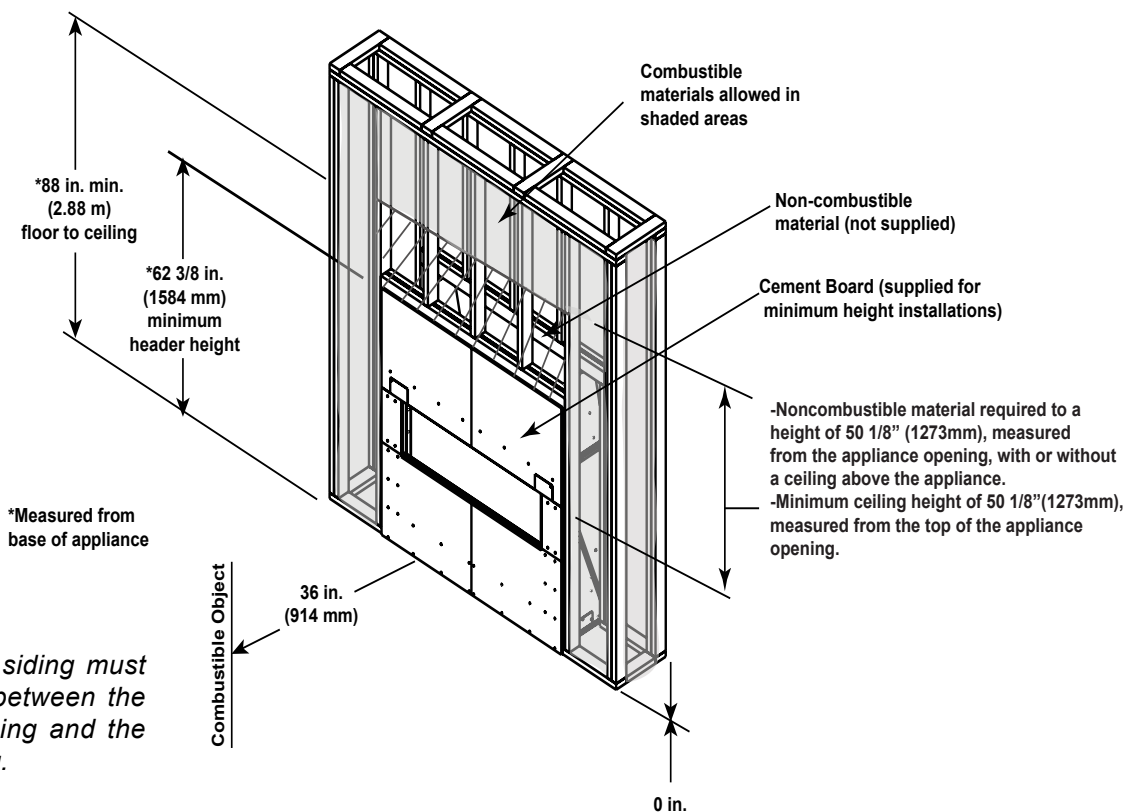
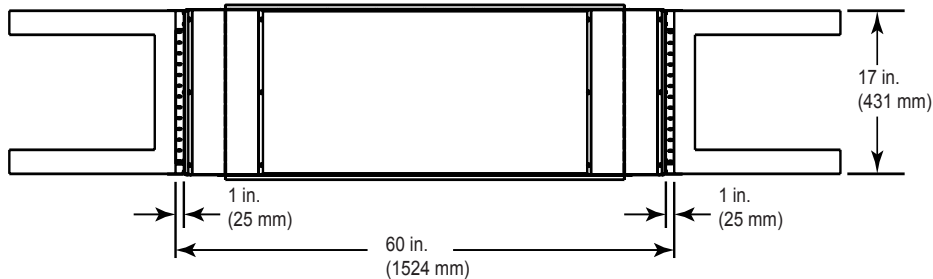


Figure 3.3 Appliance Locations and Framing Dimensions - ODPALG-48

## ▶ ODPALGST-48 SEE THROUGH

**NOTICE:** Illustrations reflect typical installations and are FOR DESIGN PURPOSES ONLY. Illustrations/diagrams are not drawn to scale. Actual installation may vary due to individual design preference.

**Note:** For actual appliance dimensions refer to Section 3.A.

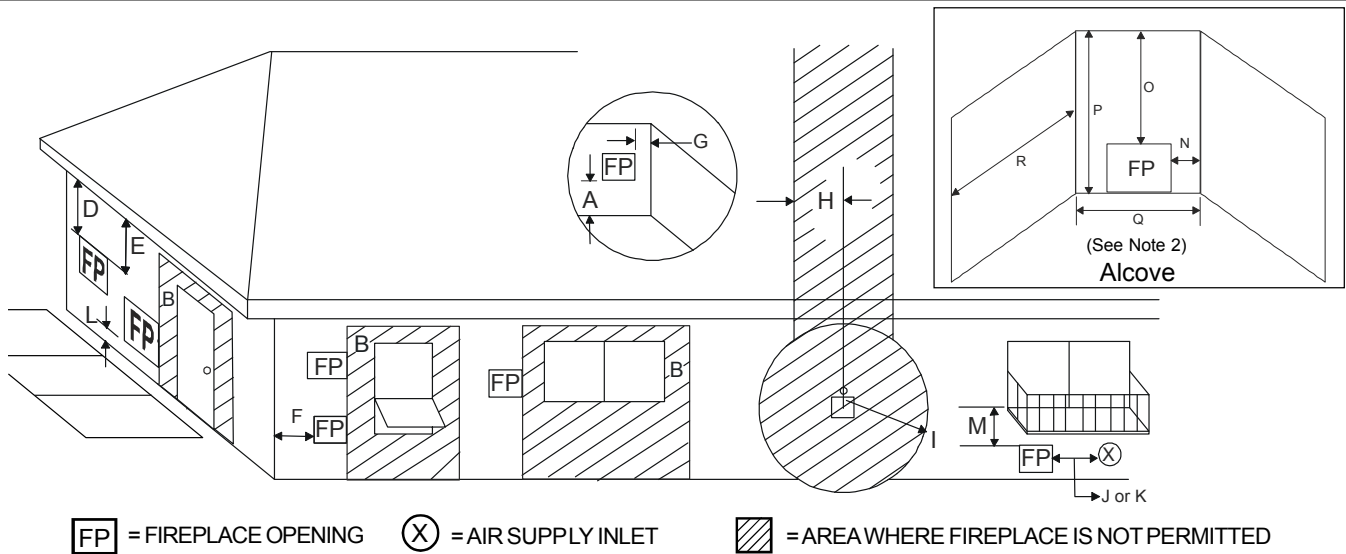


**NOTICE:** Vinyl siding must not be placed between the appliance opening and the ceiling/overhang.

**NOTICE:** Flash the perimeter of the appliance, corners and the appliance face in a manner consistent with regional practices as required to prevent water penetration around the appliance or manage water that may penetrate the appliance. See Section 3.F. for more information regarding wall and enclosure construction.

Figure 3.4 Appliance Locations and Framing Dimensions - ODPALGST-48

## C. Vent Minimum Clearances



<p>A = 24 in. . . . . clearances above grade, veranda, porch, deck or balcony.</p> <p>B = 12 in. . . . . clearances to window or door that may be opened, or to permanently closed window. vinyl windows or siding.</p> <p>D = 50 in. . . . . vertical clearance to unventilated soffit or to ventilated soffit located above the terminal. vinyl clad soffits.</p> <p>F = 9 in. . . . . clearance to outside corner.</p> <p>G* = 7 in. . . . . clearance to inside corner, non-vinyl siding.</p> <p>H = 3 ft. (Canada) . . . . . not to be installed above a gas meter/regulator assembly within 3 ft (914 mm) horizontally from the center line of the regulator.</p> <p>I = 3 ft. (USA) 6 ft. (Canada) . . . . . clearance to service regulator vent outlet and electric service.</p>	<p>J = 9 in. (USA) 12 in. (Canada) . . . . . clearance to non-mechanical air supply inlet to building or the combustion air inlet to any other appliance.</p> <p>K = 3 ft. (USA) 6 ft. (Canada) . . . . . clearance to a mechanical air supply inlet.</p> <p>L = . . . . . (See note 4)</p> <p>M** = 50 in. . . . . clearance under veranda, porch, deck, balcony or overhang.</p> <p>Not allowed: . . . . . vinyl</p> <p>N* = 14 in. . . . . clearance to inside corner, non-vinyl siding. (Alcove)</p> <p>O = 50 in.</p> <p>P = 88 in.</p>
--	--

	Q <sub>MIN</sub>	R <sub>MAX</sub>
Palazzo	10 feet	2 x Q <sub>ACTUAL</sub>
1 additional termination cap	Q + 3 feet	1 x Q <sub>ACTUAL</sub>
2 additional termination caps	Q + 6 feet	2/3 x Q <sub>ACTUAL</sub>
3 additional termination caps	Q + 9 feet	1/2 x Q <sub>ACTUAL</sub>
<small>R<sub>MAX</sub> = (2 / # caps plus fireplace ) x Q<sub>ACTUAL</sub></small>		

\* 48 in. minimum for vinyl windows or vinyl siding.  
 \*\* only permitted if veranda, porch, deck or balcony is fully open on a minimum of 2 sides beneath the floor, or if the screened porch guidelines are followed.

**Note 1:** Local codes or regulations may require different clearances.  
**Note 2:** Appliance in an alcove space (spaces open only on one side and with an overhang) are permitted with the dimensions specified for vinyl or non-vinyl siding and soffits. **1)** There must be a 3 ft minimum between terminations or between the fireplace and termination. **2)** All mechanical air intakes within 10 ft of a termination must be a minimum of 3 ft below the fireplace hood. **3)** All gravity air intakes within 3 ft of the fireplace opening must be a minimum of 1 ft below the termination.

This fireplace is approved for installation onto screen porches with the following guidelines:

- Minimum porch area: 96 sq ft
- Minimum ceiling height: 88 in.
- Minimum of two walls must be screened
- Minimum top of screen height, side walls: 80 in.
- Minimum screen area: 64 sq ft

**Note 3:** There may be some odor and small amounts of soot associated with burning outdoor gas fireplaces on a screened porch. Consider prevailing wind direction for best flame performance.

**Note 4:** For appliances installed facing or opening onto public property or property servicing more than one single family dwelling, such as driveways, sidewalks, etc. refer to local building codes/regulations for proper clearances.

Figure 3.5 Minimum Clearances

**WARNING! Risk of Fire!** Comply with all minimum clearances to combustibles as specified. Framing or finishing material closer than the minimums listed must be constructed entirely of non-combustible materials (i.e., steel studs, concrete board, etc).

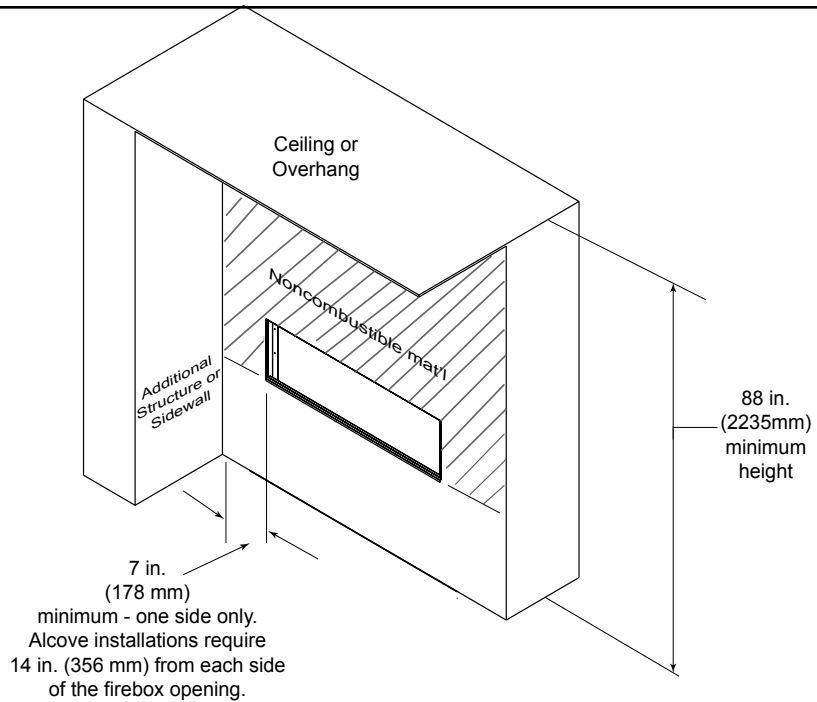


Figure 3.6 Clearances to Combustibles

## D. Hearth Extension/Floor Protection

This application does not require a hearth extension.

## E. Stand-Alone Installation

This appliance may be installed as a stand-alone unit.

- Construct a stand-alone framing of combustible or noncombustible materials.
- Cement board or other noncombustible material can be applied directly to the face of the appliance.
- Air space clearances are not required for stand-alone construction with noncombustible materials.
- Tape and seal all joints and corners.
- Provide proper flashing and moisture management if installed on surfaces that may rot or otherwise be damaged by water. (See also Section 4.B.)

When the stand-alone surround is constructed completely of noncombustible materials, stand-offs may be removed to permit a smaller structure.

## F. Built-in Installation

When this appliance is installed into a wall, we recommend that the wall be an exterior wall system.

- See framing measurements in Figure 3.3 and 3.4.
- You must maintain 1 in. (25mm) air space at the back and sides. See Figures 3.3 and 3.4.
- The header must not be placed below the top of the top standoffs.
- Noncombustible wall sheathing material is required from bottom of appliance opening to ceiling. (See Figure 3.6)

- A 25 3/8 inch tall cement board has been provided for this installation and has been fastened to the front of the appliance for shipping purposes.
- Flash the perimeter of the appliance, corners and the appliance face in a manner consistent with regional practices as required to prevent water penetration around the appliance or manage water that may penetrate the appliance. See Section 3B and Figure 3.3 and 3.4 for more information regarding wall and enclosure construction.

## G. Moisture Resistance

This outdoor appliance will shed moderate amounts of water, but is not waterproof. This appliance must be enclosed or covered with noncombustible finish material and all joints sealed to prevent water infiltration.

The firebox will not perform as an exterior wall. Moisture penetration must be considered for construction that places the appliance in structure walls or on moisture sensitive surfaces.

**When installed on exterior walls:** Hearth & Home Technologies recommends that the chase be constructed outside the structure's weather envelope. Where the platform meets the wall, use a flashing detail similar to that required for attached decks. Chase platforms, including hearths should slope away from the structure at 1/8 in. to 1/4 in. per foot. The appliance can be shimmed level.

# 4 Appliance Preparation

## A. Securing and Leveling Appliance

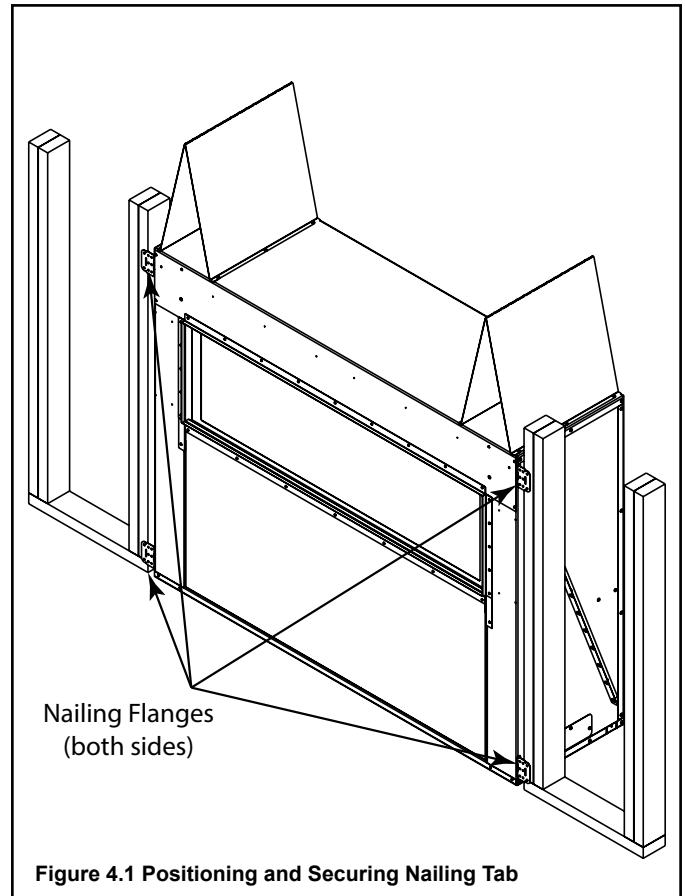
**CAUTION! Risk of Cuts, Abrasions or Flying Debris.** Wear protective gloves and safety glasses during installation. Sheet metal edges are sharp.

Position, level, and secure the appliance.

- Place the appliance into position on either a wood or noncombustible continuous flat surface.
- Level the appliance from side to side and front to back.
- Shim the appliance with noncombustible material, such as sheet metal, as necessary.
- Chase platforms, including hearths should slope away from the structure at 1/8 in. to 1/4 in. per foot.
- Nailing tabs must be moved from shipping position to installation position and secured to framing. Bend the two nailing tabs out on each side. See Figure 4.1.

## B. Flashing

- Flash the appliance in a manner consistent with regional practices to prevent water penetration around the appliance. Due to elevated temperatures across the top of the appliance, metal flashing and high temperature sealant must be used. Adhesive polymeric flashing materials may melt.
- For brick, stone, stucco and similar construction, weep screeds should be installed per regional codes.
- See Section 3.F. and Figures 3.3 and 3.4 for more information regarding wall and enclosure construction required to prevent moisture penetration into the structure. The appliance will shed moderate amounts of water but is not waterproof.



# 5 Electrical Information

## A. Wiring Requirements

**Note:** The Palazzo appliance **MUST** be connected to a GFCI (Ground Fault Circuit Interrupt) protected circuit breaker.

**WARNING! Risk of Shock or Explosion! DO NOT** wire 110-120 VAC to the valve or to the appliance wall switch. Incorrect wiring will damage controls.

**NOTICE:** This appliance must be electrically wired and grounded in accordance with local codes or, in the absence of local codes, with **National Electric Code ANSI/NFPA 70-latest edition** or the **Canadian Electric Code CSA C22.1**.

**Total Electrical Requirements: 110-120Vac, 60Hz., less than 12 Amperes**

- Wire the appliance junction box to unswitched 110-120 VAC. This is required for proper operation of the appliance.
- A 110-120 VAC circuit for this appliance must be protected with ground-fault circuit-interrupter protection in compliance with the applicable electrical codes.
- Low voltage and 110-120 VAC voltage cannot be shared within the same wall box.

## Electrical Service and Repair

**WARNING! Risk of Shock!** Label all wires prior to disconnection when servicing controls. Wiring errors could cause improper and dangerous operation. Verify proper operation after servicing.

**WARNING! Risk of Shock!** Replace damaged wire with type 105° C rated wire. Wire must have high temperature insulation.

## B. IntelliFire Pilot Ignition System Wiring

- Wire the appliance junction box to 110-120 VAC for proper operation of the appliance.

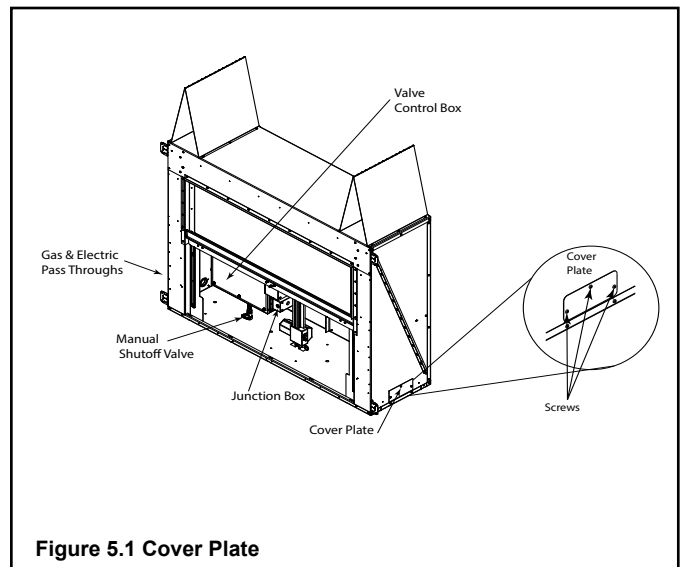
**WARNING! Risk of Shock or Explosion! DO NOT** wire IPI controlled appliance junction box to a switched circuit. Incorrect wiring will override IPI safety lockout.

**THIS APPLIANCE SUPPLIED STANDARD WITH:**

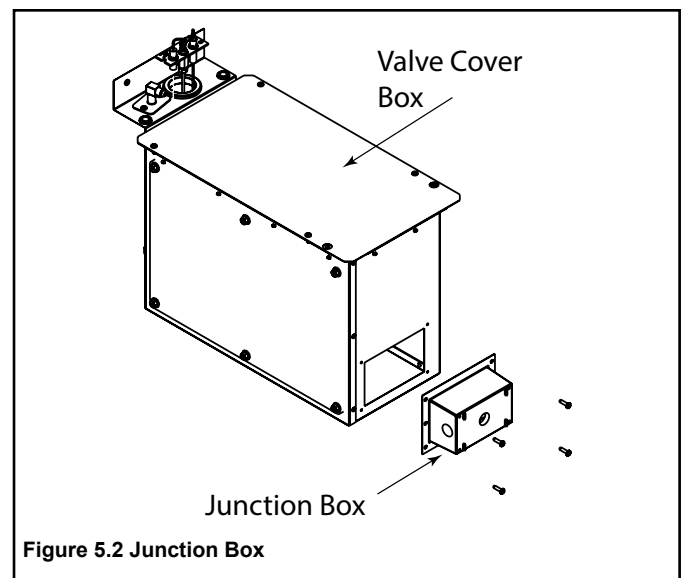
- IntelliFire control valve (3V)
- Wall Switch Control - Operates Unit On/Off, Power Screen Up/Down and LED lights.
- 2 RGB LED outdoor rated light strips (12V)
- Linear actuator, for power screen (120V/5A).
- 12 conductor wall switch wire

## C. Installing the Electrical

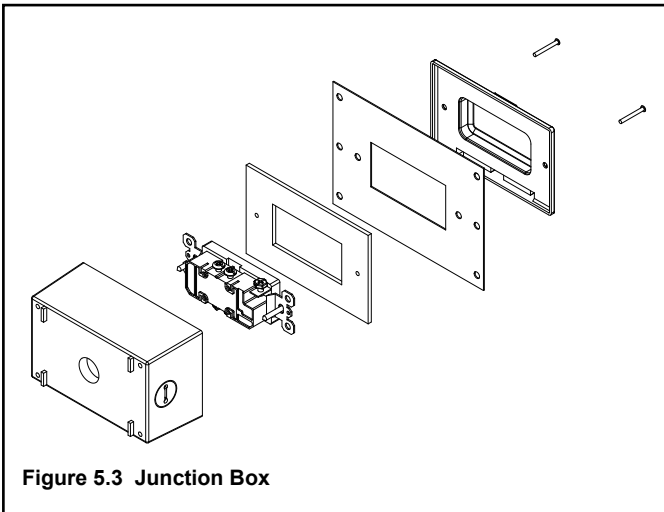
**Note:** The Palazzo is supplied with two rubber grommets installed on the left side of the appliance for gas and electrical connections. See Figure 3.1 & 3.2. A cover plate is also provided on the right side of the appliance in the event that gas and electrical must be run from the right. If it is determined that gas and electrical are to be run through the right side of the appliance, the grommets and cover plates must be repositioned. See Figure 5.1



- Remove Lower Access Panel by lifting up on the panel to disengage from hook and pull panel away from unit. Set aside.
- Remove screws securing Junction Box & Mounting Bracket as shown in Figure 5.2.
- Unplug transformer and power supply.

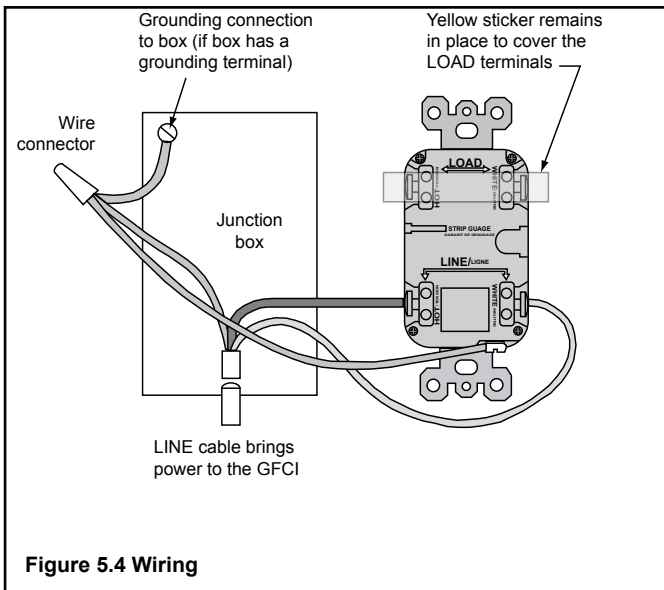


- Disassemble Junction Box. See Figure 5.3.



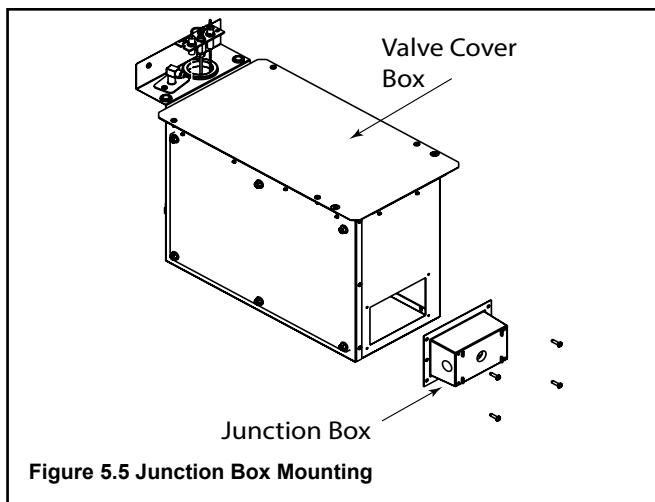
**Figure 5.3 Junction Box**

- Route a minimum 14/2 w/ground electrical wiring through hole provided on the left side of the appliance.
- Wire & Assemble Junction Box. See Figure 5.4.



**Figure 5.4 Wiring**

- Reinstall Junction Box & Mounting Bracket removed in Step 2. See Figure 5.5.
- Plug in transformer and power supply.



**Figure 5.5 Junction Box Mounting**



## ► Wiring Diagram

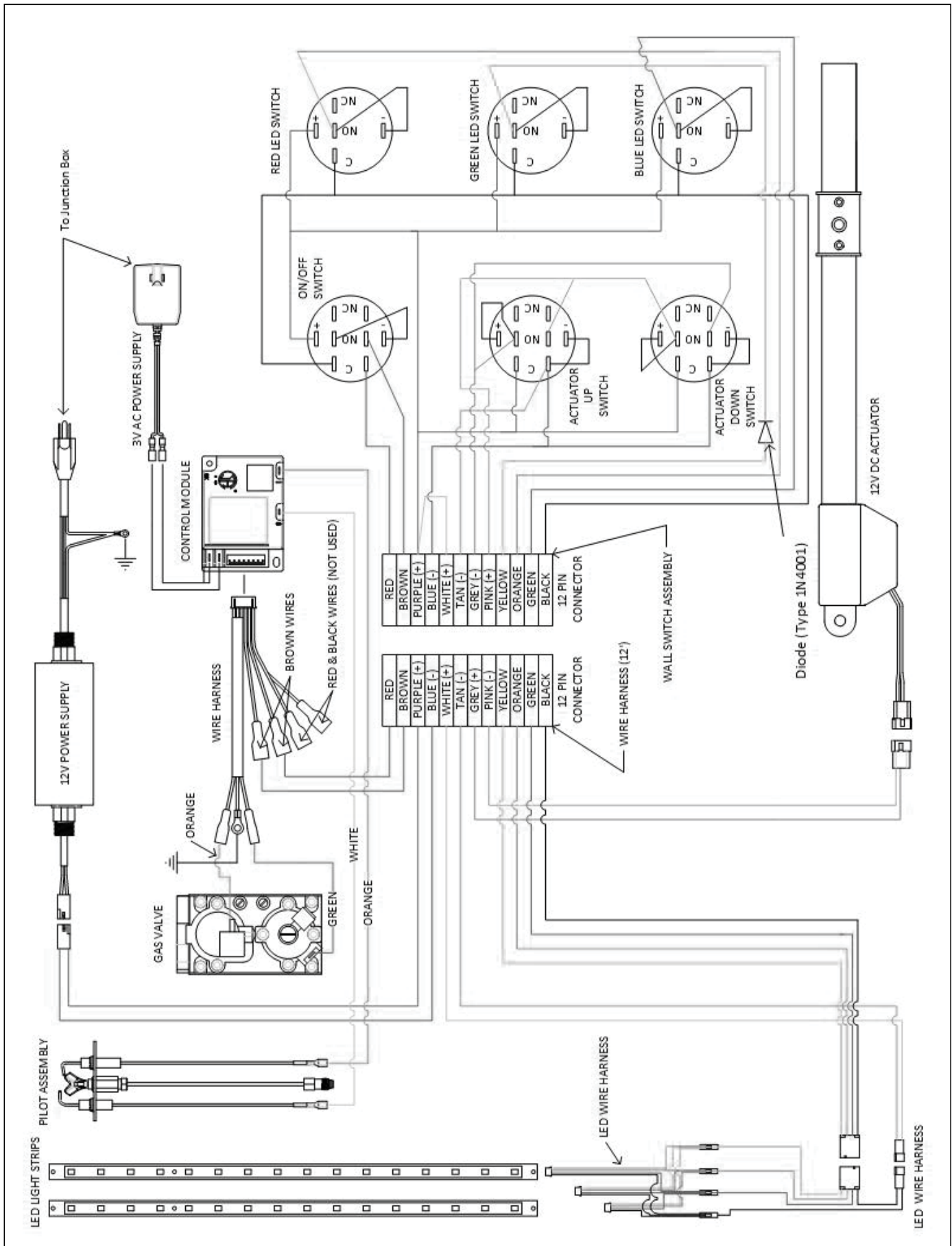
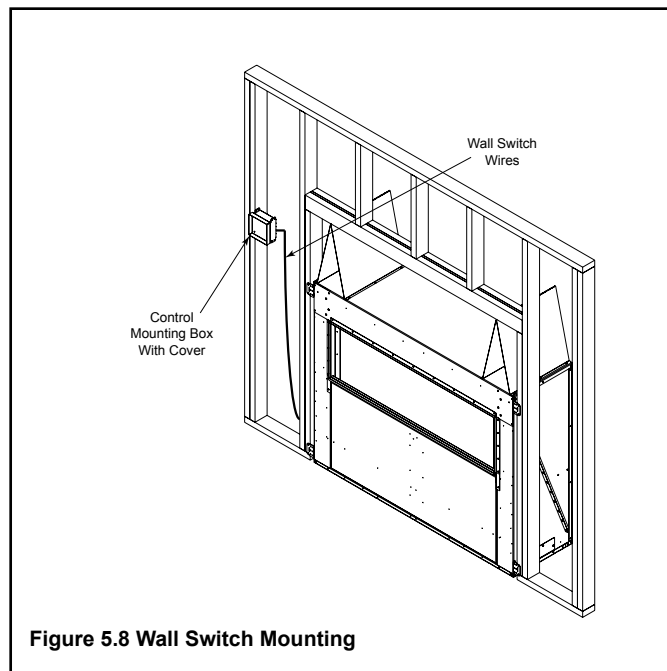
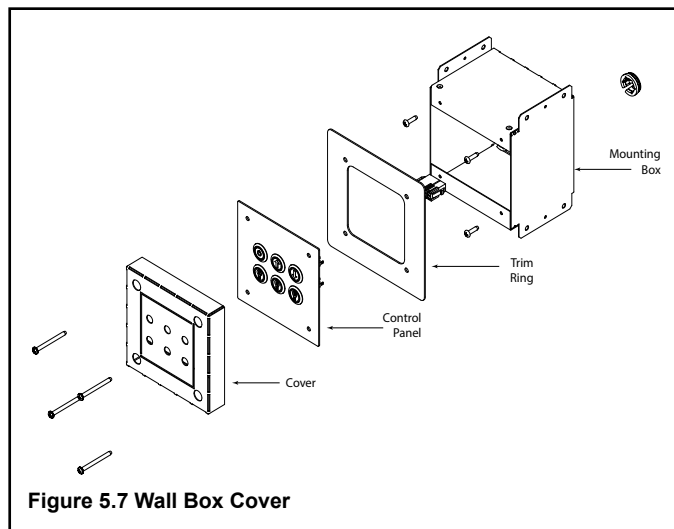


Figure 5.6

## D. Wall Switch Control Assembly

The Palazzo series outdoor gas appliance is supplied with a wired wall switch control panel, a control mounting box with cover, and trim ring. See Figure 5.7.



- The wall switch control assembly is shipped prewired and mounted on appliance top standoff.

NOTE: Trim ring shipped in manual bag.

- Remove (2) screws securing wall switch control assembly, to standoff.
- Install mounting box in the desired location prior to finishing materials being installed. See Figure 5.8.

NOTE: Supplied wire allows for control assembly to be mounted up to 8 ft. from appliance. 15 ft. control wire extension kits are available (ODPALG-WH15), if needed. A maximum of two extension kits (30 ft.) can be used.

- The cover is designed to protect the switch during the installation of finishing materials as well as to ensure the clearance necessary for future service of the control panel. Remove cover once finishing is complete.
- The trim ring is designed to cover any gaps left between smooth finishing materials such as tile, stucco, etc. and the control box.

# 6 Gas Information

## A. Fuel Conversion

- Make sure the appliance is compatible with available gas types.
- The Palazzo series gas appliance is supplied from the factory for use with natural gas. If a propane (LP) conversion is required, kit LPK-ODPALG-48 must be purchased in order to convert the unit for use with propane.
- Conversions must be made by a qualified service technician using Hearth & Home Technologies specified and approved parts.

## B. Gas Pressure

- Optimum appliance performance requires proper input pressures.
- Gas line sizing requirements will be determined in ANSI Z223.1 National Fuel Gas Code in the USA and CAN/CGA B149 in Canada.
- Pressure requirements are:

Gas Pressure	Natural Gas	Propane
Minimum inlet pressure	5.0 in. w.c.	11.0 in. w.c.
Maximum inlet pressure	10.0 in. w.c.	13.0 in. w.c.
Manifold pressure	3.5 in. w.c.	10.0 in. w.c.

These pressures can be verified through the access panel as shown in Section 6.D Valve Access.

When an appliance is connected to a fixed piping system, the installation must conform with local codes, or in the absence of local codes with the **National Fuel Gas Code, ANSI Z223.1/NFPA 54, or International Fuel Gas Code.**

**Note:** Have the gas supply line installed in accordance with local codes, if any. If not, follow ANSI 223.1. Installation should be done by a qualified installer approved and/or licensed as required by the locality. (In the Commonwealth of Massachusetts installation must be performed by a licensed plumber or gas fitter).

## ⚠ WARNING



Fire Risk.

Explosion Hazard.

High pressure will damage valve. Low pressure could cause explosion.



- Disconnect gas supply piping BEFORE pressure testing gas line at test pressures above 1/2 psig.
- Close the manual shutoff valve BEFORE pressure testing gas line at test pressures equal to or less than 1/2 psig.
- Verify inlet pressures. Verify minimum pressures when other household gas appliances are operating.
- Install regulator upstream of valve if line pressure is greater than 1/2 psig.

**Note:** A listed (and Commonwealth of Massachusetts approved) 1/2 in. (13 mm) T-handle manual shut-off valve and flexible gas connector are connected to the 1/2 in. (13 mm) control valve inlet.

- **If substituting for these components, please consult local codes for compliance.**

**Note:** An individual manual shutoff valve (not supplied) is required when installing this appliance. The manual shutoff valve must be located in an easily accessible area, no more than 6 feet from the appliance.

## C. Gas Connection

- Refer to Reference Section 3 for location of gas line access in appliance.

**Note:** The Palazzo is supplied with two rubber grommets installed on the left side of the appliance for gas and electrical connections. A cover plate is also provided on the right side of the appliance in the event that gas and electrical must be run from the right. If it is determined that gas and electrical are to be run through the right side of the appliance, the grommets and cover plates must be repositioned. See Figure 6.1.

- The gap between supply piping and gas access hole may be caulked with caulk with a minimum of 300°F continuous exposure rating or stuffed with non-combustible, unfaced insulation to help prevent rodents and insects from getting into the control area of the appliance.
- Ensure that gas line does not come in contact with outer wrap of the appliance. Follow local codes.

- Pipe incoming gas line into lower compartment.
- Connect incoming gas line to the 1/2 in. (13 mm) connection on manual shutoff valve.

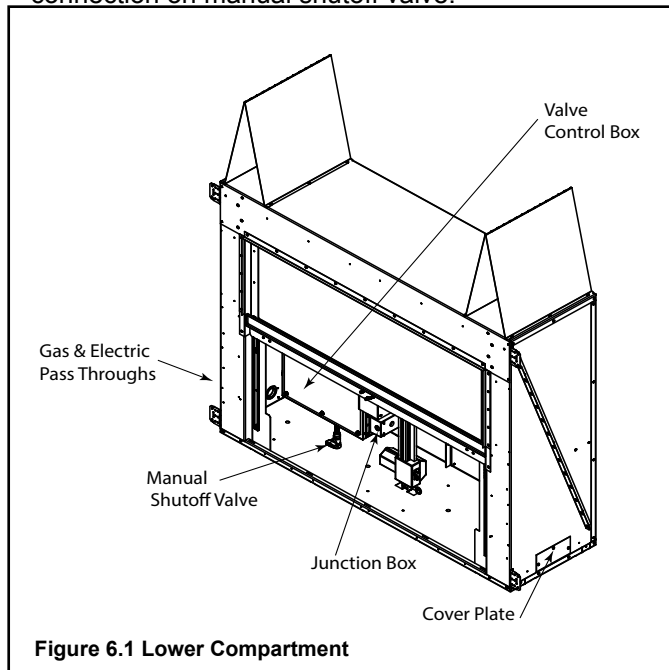


Figure 6.1 Lower Compartment

**WARNING! Risk of Fire or Explosion!** Support control when attaching pipe to prevent bending gas line.

- A small amount of air will be in the gas supply lines.
- Light the appliance. It will take a short time for air to purge from lines. When purging is complete the appliance will light and operate normally.

**CAUTION! Damage to appliance may occur.**

When test burning the Palazzo appliance, without glass media installed on hearth pan area, including burner tube, do not burn the appliance for more than 30 seconds, as damage to the stainless steel hearth pan/burner may occur.

**WARNING! Risk of Fire! DO NOT** change valve settings. This valve has been preset at the factory.

**WARNING! Risk of Fire, Explosion or Asphyxiation!** Check all fittings and connections with a non-corrosive commercially available leak-check solution. **DO NOT** use open flame. Fittings and connections could have loosened during shipping and handling.

**WARNING! Risk of Fire or Explosion!** Gas build-up during line purge could ignite.

- Purge should be performed by qualified service technician.
- Ensure adequate ventilation.
- Ensure there are no ignition sources such as sparks or open flames.

## D. Valve Access

The valve and controls are located in the appliance control box. See Figure 6.2.

Prior to finishing materials:

The control box and controls can be accessed from the front of the appliance, prior to finishing materials being added to the face of the appliance.

- Remove Lower Access Panel by lifting up on the panel to disengage from hook, pull panel away from unit and set aside. See Figure 6.2.

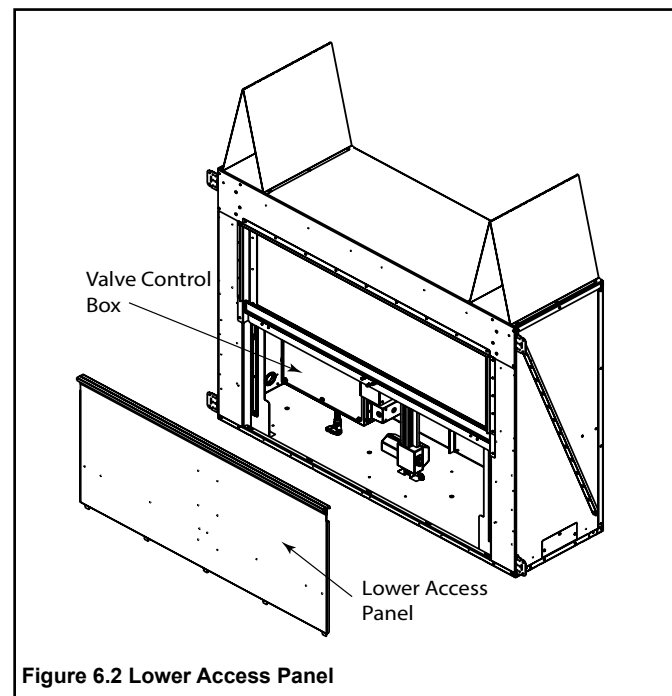


Figure 6.2 Lower Access Panel

- Remove screws securing control box access panel.
- Remove control box lower access panel. See Figure 6.3.

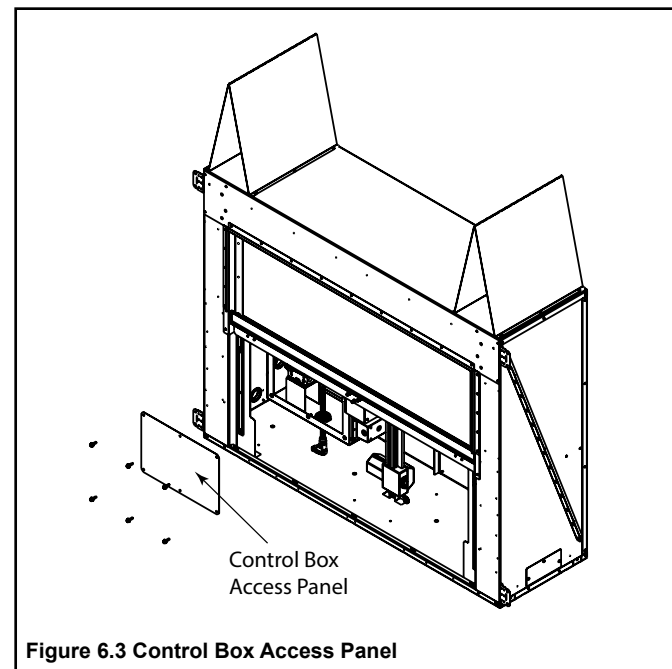
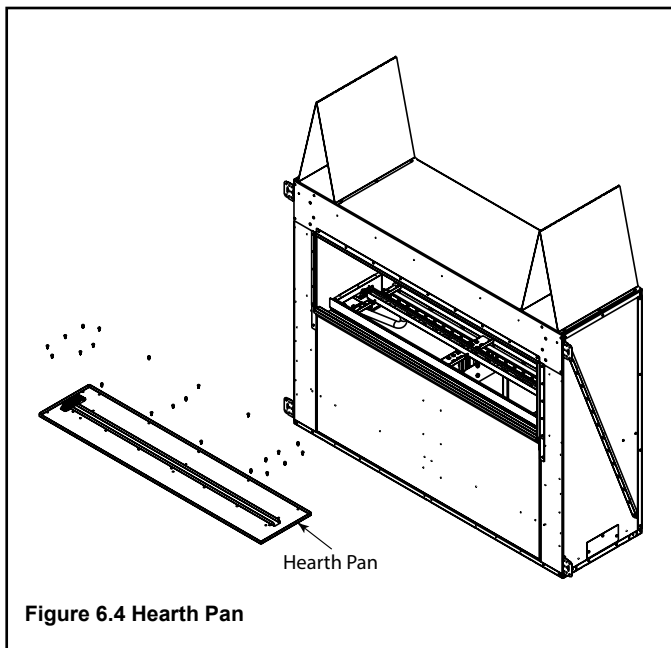


Figure 6.3 Control Box Access Panel

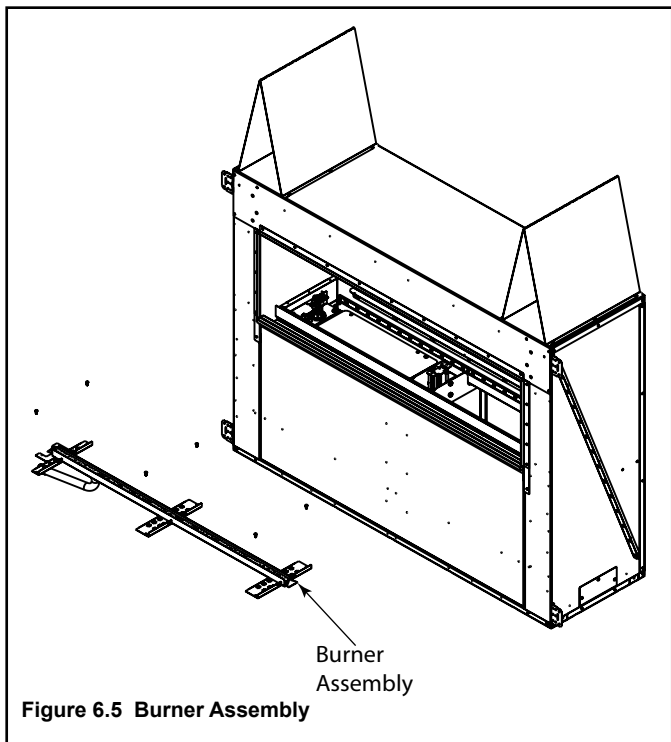
After finishing:

Once finishing materials are added to the face of the appliance, the control box and controls **MUST** be accessed through the firebox.

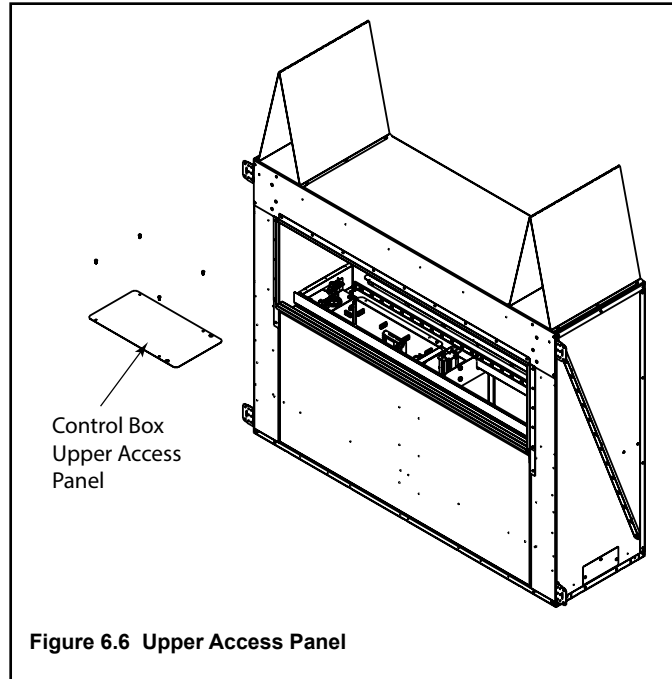
- Make sure unit is off and cool.
- Remove media from hearth pan.
- Remove screws securing hearth pan to firebox bottom.
- Lift and remove hearth pan, set aside. See Figure 6.4.



- Remove screws securing burner and pilot.
- Slide burner to the right to disengage orifice.
- Lift and remove burner, set aside. See Figure 6.5.



- Remove screws securing control box upper access panel.
- Remove control box upper access panel. See Figure 6.6.



## E. High Altitude Installations

**NOTICE:** If the heating value of the gas has been reduced, these rules do not apply. Check with your local gas utility or authorities having jurisdiction.

When installing above 2000 feet elevation:

- In the USA: Reduce input rate 4% for each 1000 feet above 2000 feet.
- In CANADA: Input ratings are certified without a reduction of input rate for elevations up to 4500 feet (1370 m) above sea level. Please consult provincial and/or local authorities having jurisdiction for installations at elevations above 4500 feet (1370 m).

Check with your local gas utility to determine proper orifice size. See conversion kit for instructions on how to change main burner orifice. (#LPK-ODPALG-48)

# 7 Finishing

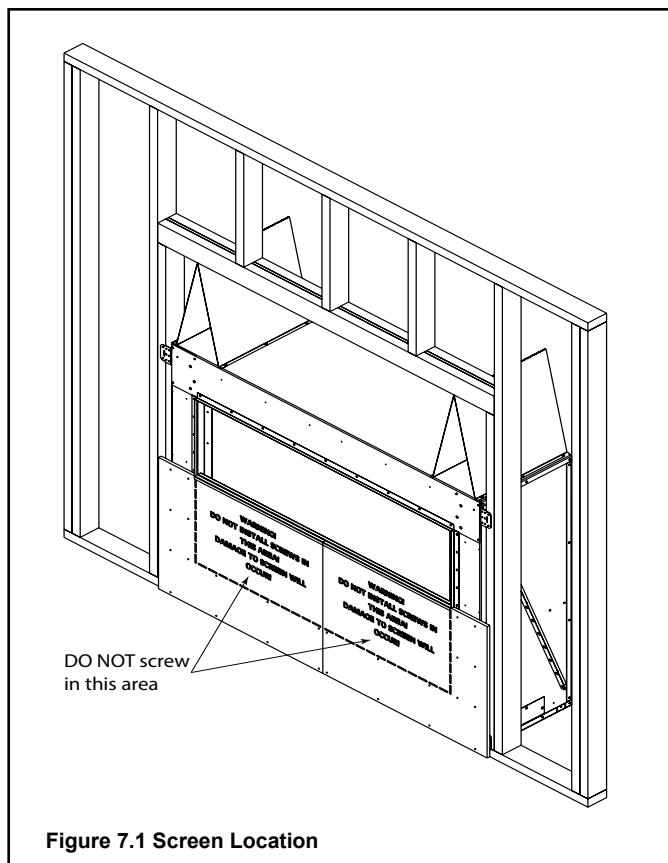
## A. Facing Material

The fireplace structure can be covered with any non-combustible material. Refer to Section 1.D.

It is possible for the face of the appliance above the appliance opening to show signs of soot. It is recommended that a noncombustible ledge (shelf) approximately 3 inches above the opening and a minimum of 3 inches out from the face of the appliance incorporated into the facing material will help prevent soot from going up the wall.

**WARNING! Risk of Fire! DO NOT** apply combustible materials beyond the minimum clearances. Comply with all minimum clearances to combustibles as specified in this manual. Overlapping materials could ignite. Any installation outside the scope as stated in this manual please contact your authorized HHT dealer prior to installation.

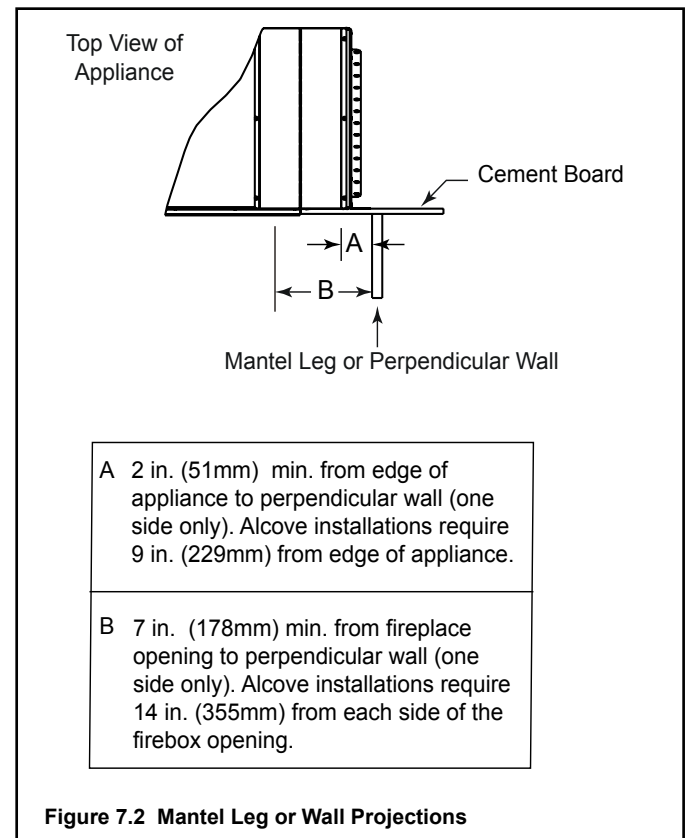
**CAUTION! The motorized power screen is located directly behind the Lower Access Panel.** When installing facing material DO NOT screw into the labeled areas as damage to the screen will occur. Note: Use of a general purpose construction adhesive in this area is acceptable. See Figure 7.1.



## B. Mantel and Wall Projections

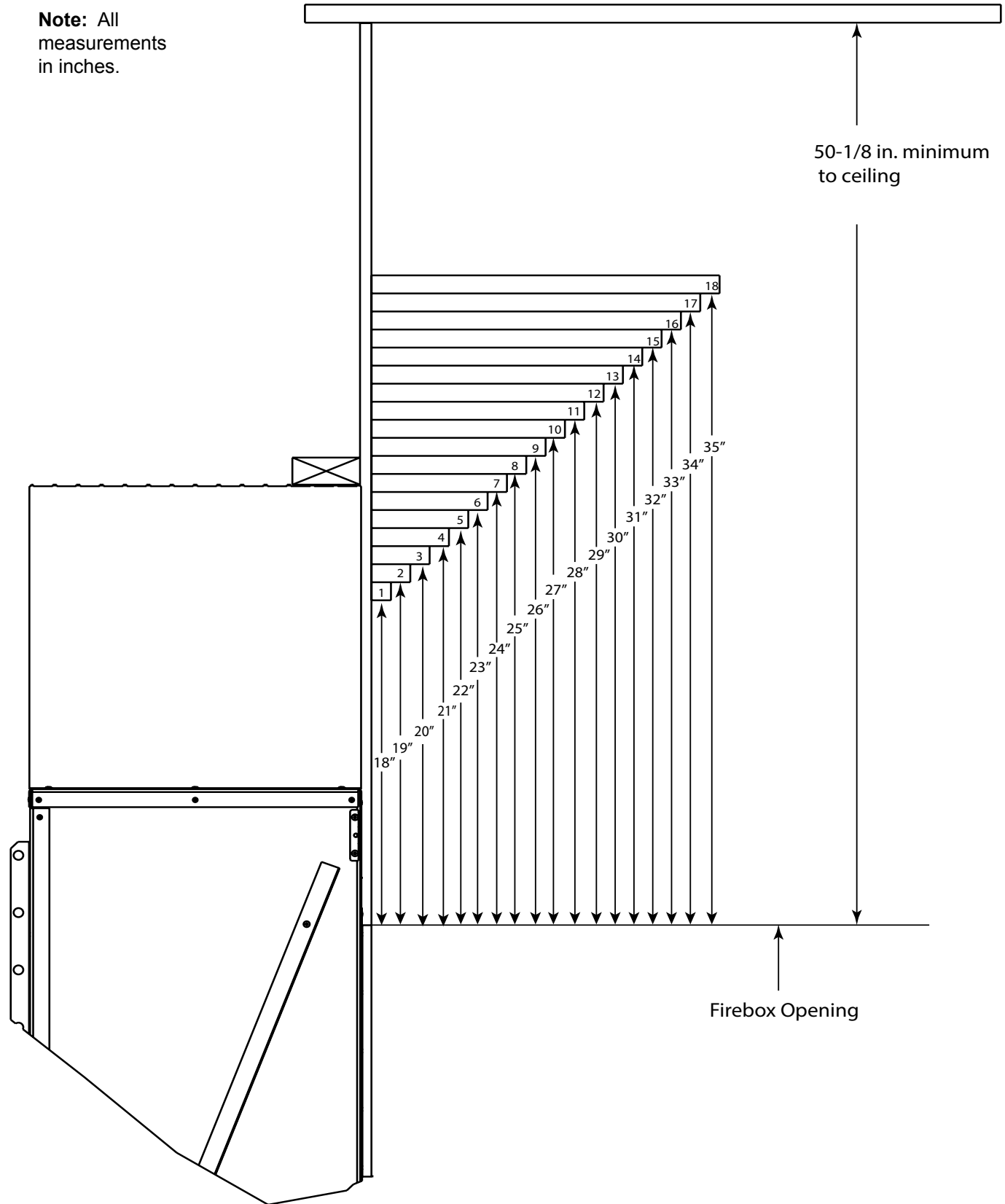
**WARNING! Risk of Fire!** Comply with all minimum clearances to combustibles as specified. Framing or finishing material closer than the minimums listed must be constructed entirely of noncombustible materials (i.e., steel studs, concrete board, etc.).

Figure 7.2 and 7.3 show the dimensions for mantels or other combustible projections above the appliance opening.



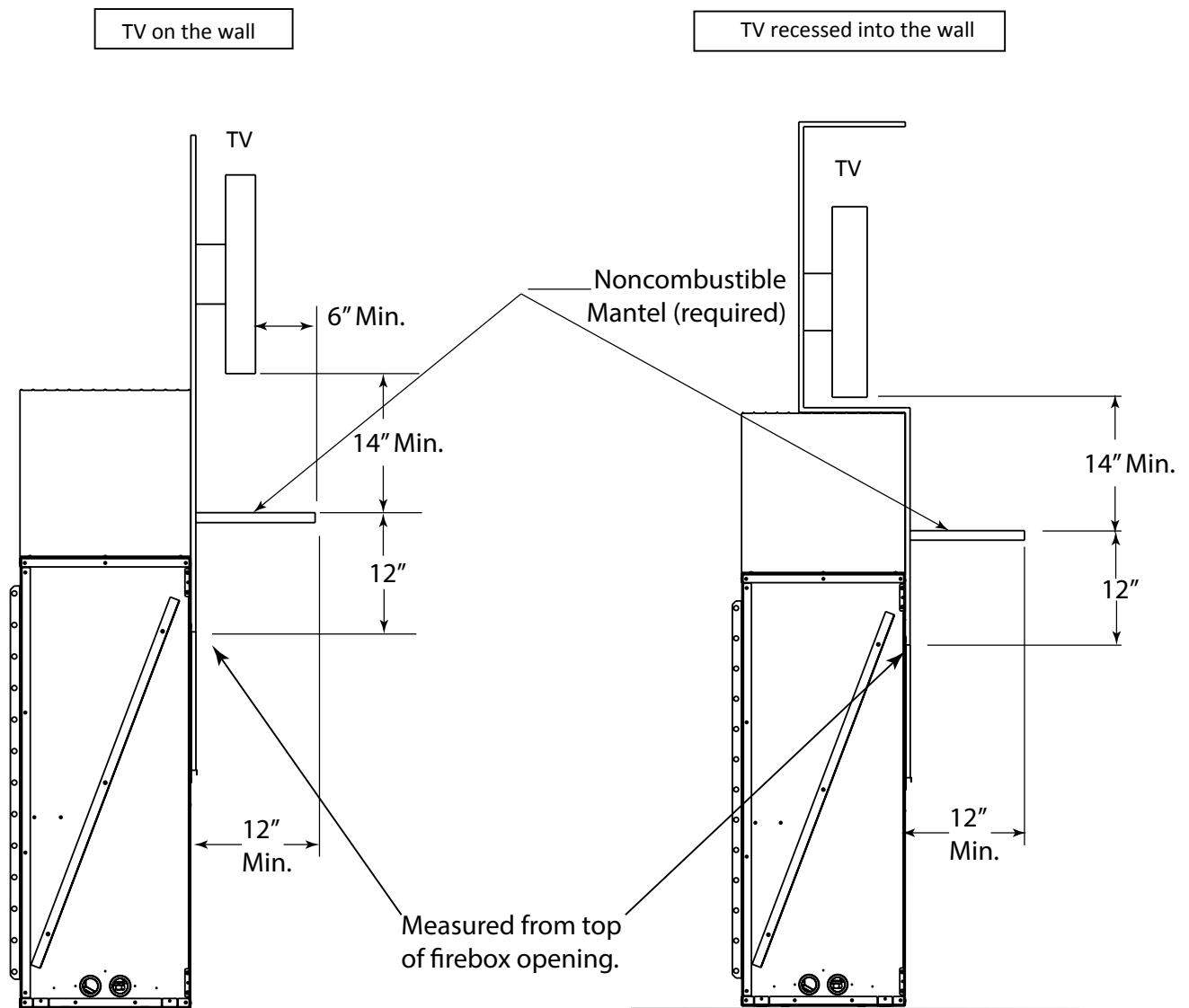
# Mantel Projections

**Note:** All measurements in inches.



**Figure 7.3 Minimum Vertical and Maximum Horizontal Mantel Dimensions For Combustible Materials**

## Good Faith Guidelines for TV Installation's above a Typical Gas Fireplace



### Notes:

1. **TV installation as shown requires the mantel be constructed entirely of non-combustible material as it is below the allowable height for a combustible mantel.**
2. These are good faith recommended clearances only and not a guarantee of compliance with all TV manufacturers' maximum allowable operating temperatures.
3. Since every home has unique air flow characteristics and maximum allowable operating temperatures can vary from manufacturer to manufacturer and from model to model, actual TV temperatures should be validated at the time of each installation. TVs should not be used in situations where the actual TV temperature exceeds the manufacturers' maximum allowable operating temperatures identified in the TV's technical specifications. Contact the TV's manufacturer directly if you cannot locate this information or have questions regarding the information.
4. Mantel height and depth must conform to mantel requirements specified in the fireplace installation manual.

Figure 7.4 Good Faith TV Guidelines



# 8 Appliance Setup

## A. Remove the Shipping Materials

Remove shipping materials from inside the firebox and remove the blue plastic coating from the firebox.

**WARNING! Risk of Fire!** Close the ball valve before installing the splatter guard to prevent accidental lighting. Remove the splatter guard before lighting the appliance.

## B. Clean the Appliance

Clean/vacuum any sawdust that may have accumulated inside the firebox.

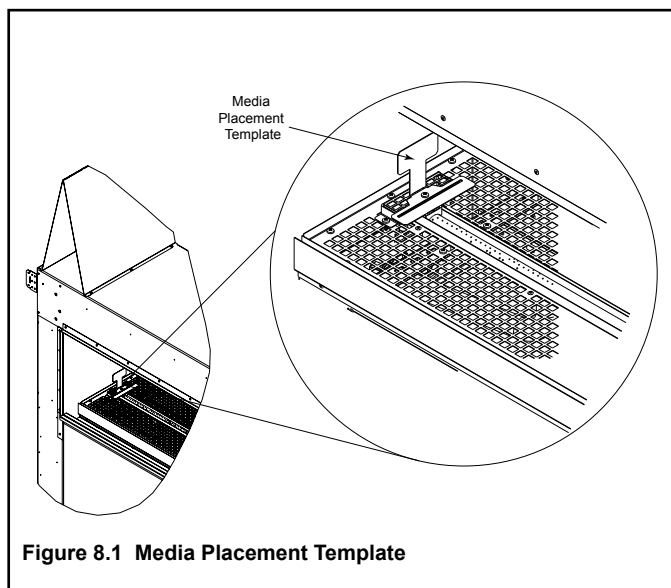
## C. Optional Accessories

Install approved accessories per instructions included with accessories. Contact your dealer for a list of approved accessories.

**WARNING! Risk of Fire and Electric Shock!** Use ONLY Hearth & Home Technologies-approved optional accessories with this appliance. Using non-listed accessories could result in a safety hazard and will void the warranty.

## D. Verify Pilot Shield

Ensure proper placement of the pilot shield and media placement template, See Figure 8.1. Shipping could cause them to become displaced.

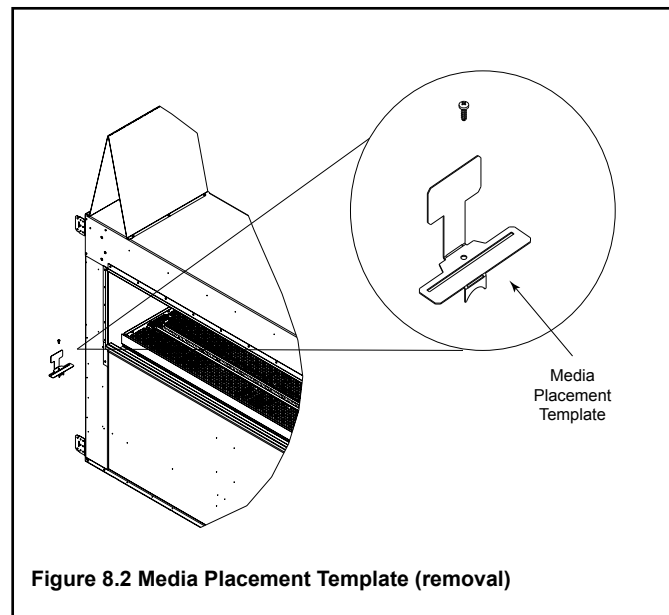


## E. Install Clear Crystal Media

Pour crystal media into the hearth area. Cover the entire hearth pan area evenly, including burner tube.

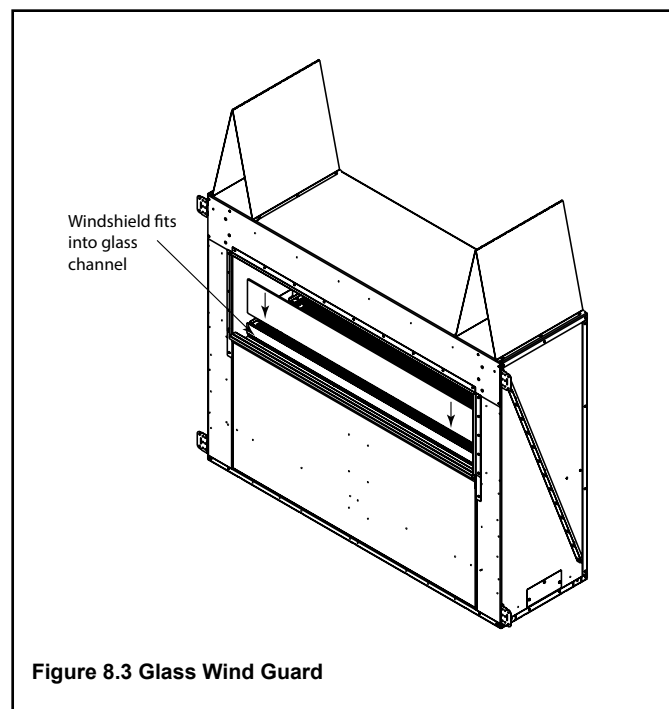
## F. Remove Media Placement Template

Remove screw attaching the media placement template and remove. See Figure 8.2. Do not discard template.



## G. Glass Wind Guard

Remove wind guard packaging. Carefully place windshields into glass channels provided. See Figure 8.3.



# 9 Reference Materials

---

## A. Accessories

LP Conversion Kit:

- LPK-ODPALG-48

Wall Control Wire Extension:

- ODPALG-WH15

Media Kits:

- Media-Ebony-48
- Media-Cobalt-48
- Media-Red-48
- Media-Amber-48

Outdoor Lifestyles, a brand of Hearth & Home Technologies  
7571 215<sup>th</sup> Street West, Lakeville, MN 55044  
[www.hearthnhome.com](http://www.hearthnhome.com)

Please contact your Outdoor Lifestyles dealer with any questions or concerns.  
For the location of your nearest Outdoor Lifestyles dealer,  
please visit [www.hearthnhome.com](http://www.hearthnhome.com).

*Printed in U.S.A. - Copyright 2014*