

TUNGSTEN SMART-HEAT™ PORTABLE

It's neutral black finish, and award-winning design makes it a piece of modern art. The Tungsten Smart-Heat™ Portable heater offers efficient directional heat and a versatile heating solution for the outdoor settings. It's modular construction with built-in wheels allows for easily manoeuvrability throughout tighter spaces.

ANGLED BRACKET
Provides flexibility
of heat direction

**ADJUSTABLE
HEAT CONTROLS**
Offers ease of
operation and precise
heat comfort levels

**MODULAR
CONSTRUCTION**
For simple storage

UNIQUE DESIGN
Honeycomb fascia
facilitates precise
heat distribution

SAFETY FEATURE
Anti tilt shut off

CONTOURED DESIGN
Allows for superior
wind resistance

PORTABLE
For ease of movement

SPECIFICATIONS

Reference the specification guide below to help you select the correct solution for your needs.

MODEL NUMBER

FUEL TYPE	LPG NG
COLOR	BLACK
HEAT AREA	215FT
ELECTRICAL CONNECTION	-
MINIMUM CEILING CLEARANCE	36"

MOUNTING OPTIONS

CEILING MOUNT	-
WALL MOUNT	-
RECESSED FLUSH MOUNT	-
CEILING POLE MOUNT	-
FREESTANDING	✓

CONTROL OPTIONS

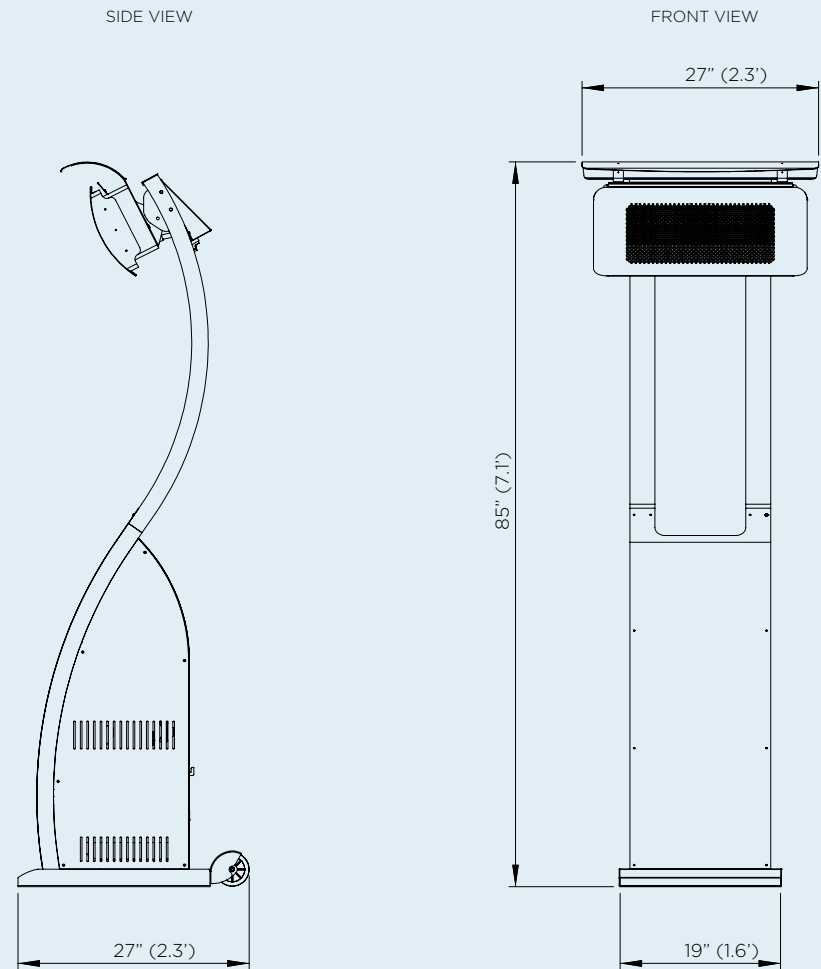
ON OFF	-
DIMMER	-
MASTER REMOTE	-

Measurements displayed within this document are minimum requirements for installation. Bromic takes no responsibility for incorrect or non-compliant installations. All measurement in this document are displayed in inches.

DIMENSIONS

With a wide range of sizes available, find the ideal heater to suit your outdoor space.

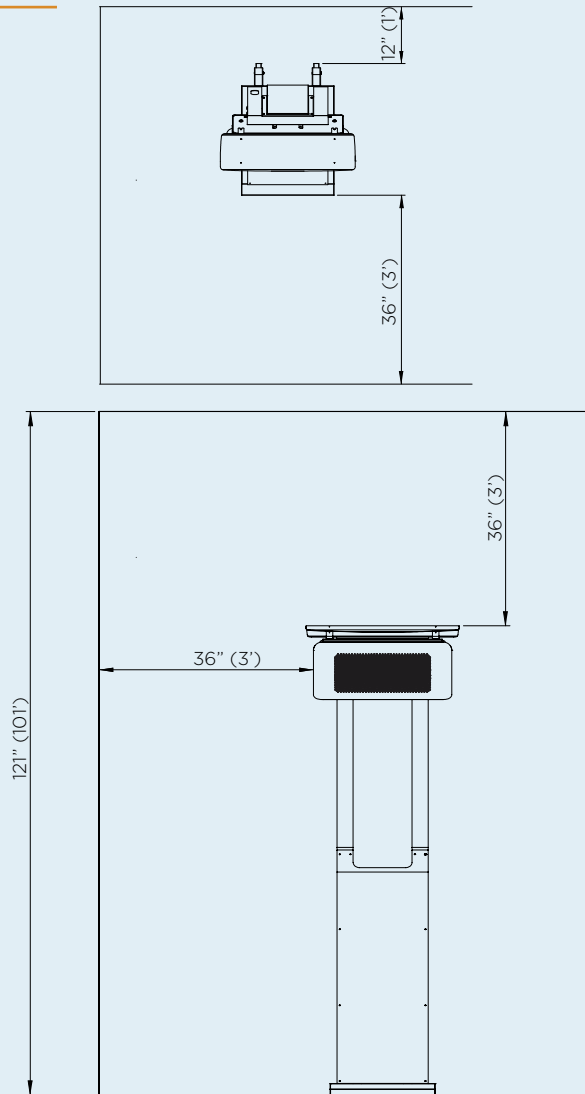
PROFILE



CLEARANCE

With a wide array of mounting options, Bromic offers solutions to compliment any décor and provide functionality for ambiance and comfort.

CEILING & WALL CLEARANCE

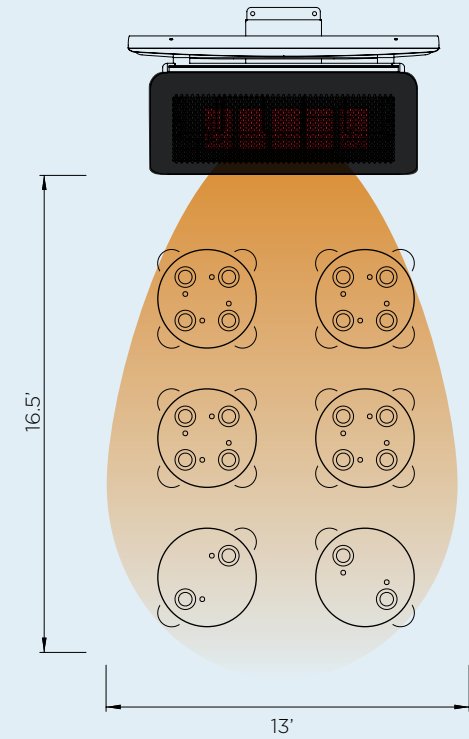


HEATING REACH

Creating ideal comfort levels, Bromic heaters offer a variety of heat distribution options to suit your outdoor heating needs.

HEAT AREAS

TUNGSTEN PORTABLE
HEATING APPROXIMATELY 215FT
38,500 BTU HEATING POWER





EXTEND THE BOUNDARIES OF
INSIDE SPACE, BY INCLUDING
THE OUTDOORS. CONTROL THE
CLIMATE IN YOUR NEXT PROJECT
WITH BROMIC SMART-HEAT™.

[BROMIC.COM/HEAT](https://www.bromic.com/heat)

ASIA PACIFIC | NORTH AMERICA | EUROPE

Bromic pursues a policy of continuing improvement in design and performance of its products. The right is therefore reserved to vary specifications without notice.