
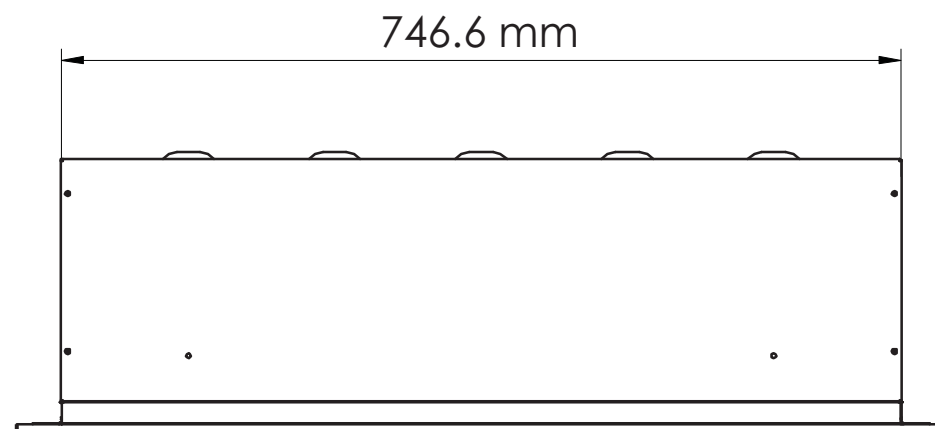
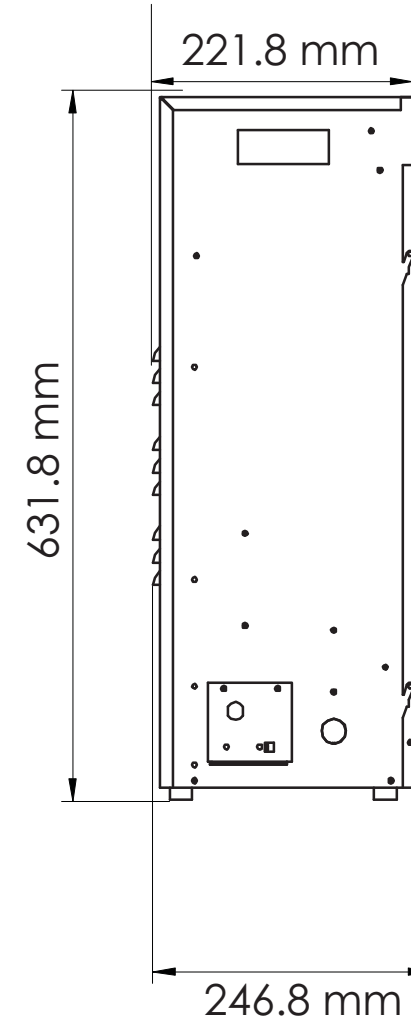
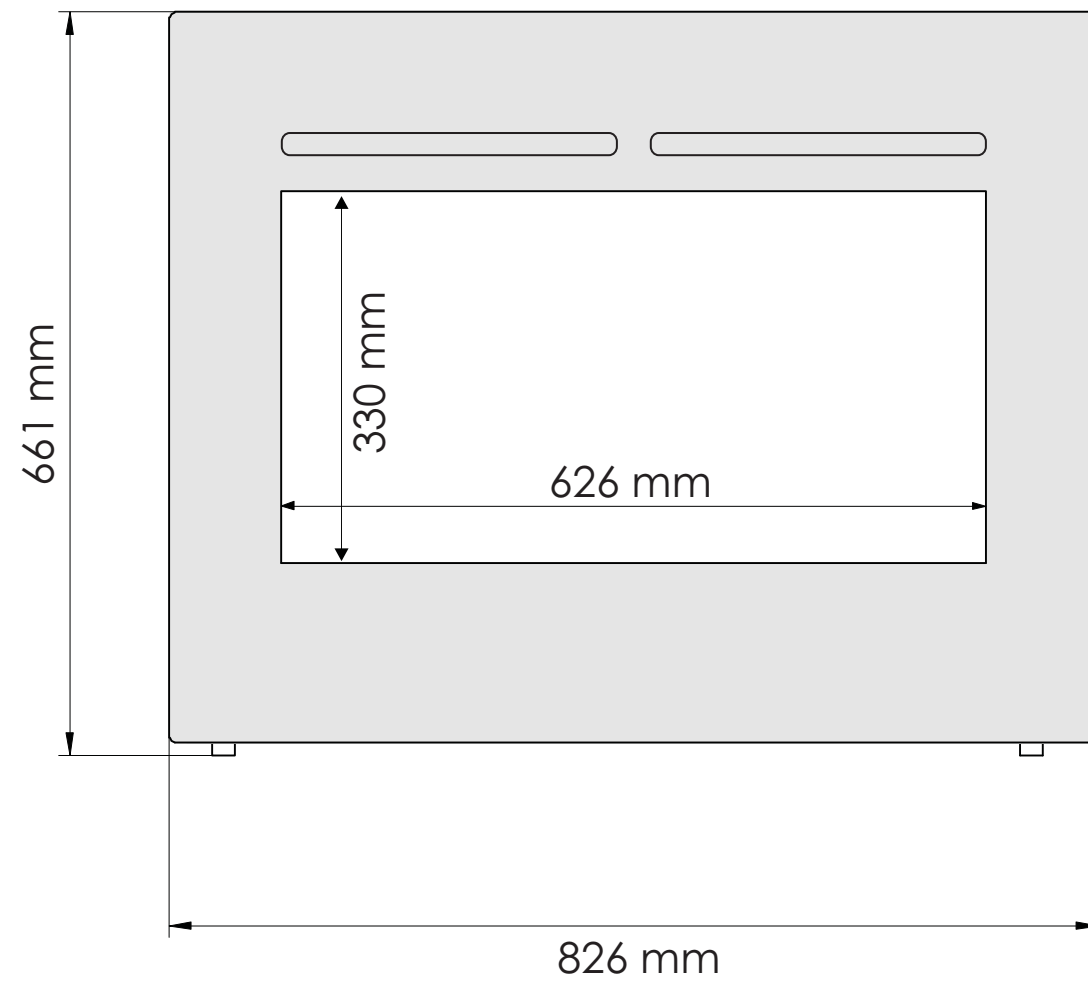



TECHNICAL SPECIFICATIONS		
VOLTS	120	
AMPS	12.5	
WATTS	1500	
HEATER	HIGH	1500 watts
	LOW	750 watts
NO HEATER	22 watts	
LAMPS	QUANTITY	LED
	WATTS	
	TOTAL WATTS	22 watts
ROTOR MOTOR	1 at 5 watts	
HEIGHT, WIDTH, DEPTH	24 3/4 x 29 1/2 x 8 1/2	
GLASS VIEWING OPENING	24 5/8 x 13	
GLASS SIZE	32 1/2 x 25 5/8	
SHIPPING SIZE	27 3/4 x 35 1/4 x 12 1/4	
SHIPPING WEIGHT	UNIT	64 lbs
	GLASS FRONT	Included
PLUG LOCATION	Left Side	
CORD LENGTH	76"	
APPROX. HEATING AREA	400 sq ft	




SERIES	MODEL		REV
ZERO CLEARANCE	ZECL-30-3226-FLUSHMT		1
SCALE 1" = 1'-0"	DATE: 6/1/2013	SHEET 1 OF 1	



TECHNICAL SPECIFICATIONS		
VOLTS	120	
AMPS	12.5	
WATTS	1500	
HEATER	HIGH	1500 watts
	LOW	750 watts
NO HEATER	22 watts	
LAMPS	QUANTITY	LED
	WATTS	
	TOTAL WATTS	22 watts
ROTOR MOTOR	1 at 5 watts	
HEIGHT, WIDTH, DEPTH	63.2 x 74.7 x 22.2 cm	
GLASS VIEWING OPENING	62.6 x 33 cm	
GLASS SIZE	82.6 x 66.1 cm	
SHIPPING SIZE	70.5 x 89.5 x 31 cm	
SHIPPING WEIGHT	UNIT	29 kg
	GLASS FRONT	Included
PLUG LOCATION	Left Side	
CORD LENGTH	193 cm	
APPROX. HEATING AREA	37 sqm	



SERIES ZERO CLEARANCE	MODEL ZECL-30-3226-FLUSHMT		REV 1
SCALE 1:12	DATE: 6/1/2013	SHEET 1 OF 1	