

## BD SERIES BI-FOLD GLASS DOOR KITS

[FOR USE WITH MODELS BRT2032, BRT2332, BRT2532, BRT4036/42, BRT4336/42, BRT4536/42, WRT2036/42, WCT2036/42, WRT3036/42, WCT3036/42, WRE3036/42, WRT35ST, WRT3836, WCT3836, WRE3836, WRT40ST/PF/CR/CL, WCT40CR/CL, VRE3036/42, CRAFTSMAN36/42, CRAFTSMANST, INGLENOOK36, MISSION36/42, MONTEREYPF, ODYSSEY36/42, TUSCAN36/42, WINDSORST, BLACKSTONE36/42, COLUMBUS36/42, SAVANNAH36/42, SHILOH36/42]

### KIT CONTENTS

- 1 ea. Right Door Assembly
- 1 ea. Left Door Assembly
- 1 ea. Instruction Sheet

Cat. No.	Model	Description
F0972	BDB36	36" Standard Bi-Fold Door, Black
F0973	BDB36B	36" Standard Bi-Fold Door, Brushed Brass
F0974	BDB36P	36" Standard Bi-Fold Door, Platinum
F0975	BDB42	42" Standard Bi-Fold Door, Black
F0976	BDB42B	42" Standard Bi-Fold Door, Brushed Brass
F0977	BDB42P	42" Standard Bi-Fold Door, Platinum
F0978	BD32	32" Standard Bi-Fold Door, Black
F0979	BD32B	32" Standard Bi-Fold Door, Brushed Brass
F0980	BD32P	32" Standard Bi-Fold Door, Platinum
F0981	BD36	36" Standard Bi-Fold Glass Door, Black
F0982	BD36B	36" Standard Bi-Fold Glass Door, Brushed Brass
F0983	BD36P	36" Standard Bi-Fold Glass Door, Platinum
F0984	BD42	42" Standard Bi-Fold Glass Door, Black
F0985	BD42B	42" Standard Bi-Fold Glass Door, Brushed Brass
F0986	BD42P	42" Standard Bi-Fold Glass Door, Platinum
F0987	BDO36	36" Outdoor Bi-Fold Glass Door, Black
F0988	BDO36B	36" Outdoor Bi-Fold Glass Door, Brushed Brass
F0989	BDO36P	36" Outdoor Bi-Fold Glass Door, Platinum
F0990	BDO42	42" Outdoor Bi-Fold Glass Door, Black
F0991	BDO42B	42" Outdoor Bi-Fold Glass Door, Brushed Brass
F0992	BDO42P	42" Outdoor Bi-Fold Glass Door, Platinum
F1023	VDBP36C	36" Corner WB Bi-Fold Door & End Panel, Black
F1024	DC36L/R/LS/RS	36" Corner WB Bi-Fold Door & End Panel, Platinum
F1025	DBP368ST	36" See Thru WB Bi-Fold Door (1 side), Black
F1026	DC368ST	36" See Thru WB Bi-Fold Door (1 side), Platinum
1/8" Shim	DBPPN36	36" Peninsula WB Bi-Fold Door (3 pcs.), Black
Phillips Screwdriver	DBPPN36	36" Peninsula WB Bi-Fold Door (3 pcs.), Platinum

### REQUIRED TOOLS AND SUPPLIES

### GENERAL INFORMATION

Bi-Fold glass doors are available in black, brushed brass and platinum finishes.

**READ ALL THE STEPS BEFORE STARTING THE INSTALLATION  
THE FIREPLACE MUST BE OFF AND COLD BEFORE BEGINNING.**

**ALL WARNINGS, PRECAUTIONS AND INSTRUCTIONS IN THE  
INSTALLATION AND OPERATION MANUAL PROVIDED WITH THE  
APPLIANCE APPLY TO THESE INSTRUCTIONS.**

If you encounter any problems, need clarification of these instructions or are not qualified to properly install this kit, contact your local distributor or dealer.

If any of these parts are missing or damaged, contact your dealer or IHP.us.com for referral information.

### **! WARNING**

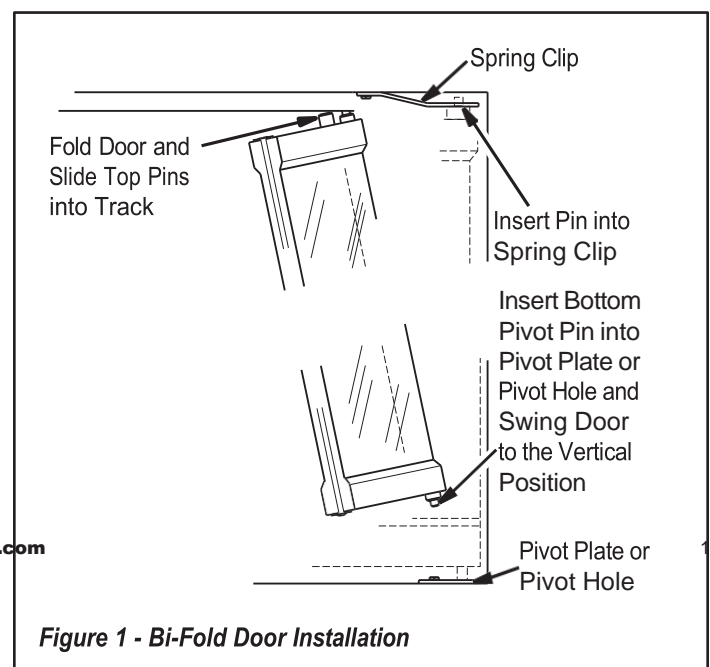
**USE GLASS DOORS CERTIFIED FOR USE WITH YOUR  
APPLIANCE OR FIREPLACE ONLY**

### INSTALLATION

Pivot and spring clips have been installed and pretested at the factory, but some readjustments may be needed due to movement during shipping or handling.

Install doors using the following steps. If you find the doors do not close properly or do not appear level or straight, proceed with section on door adjustment.

1. With bi-fold door completely folded, insert bottom pivot pin into pivot plate or pivot hole located near bottom corner of front face. Open and swing door to vertical position making sure top pins slide into door track. Door is installed when top door pin snaps into spring clip (see **Figure 1**).
2. Repeat step 1 for remaining door.

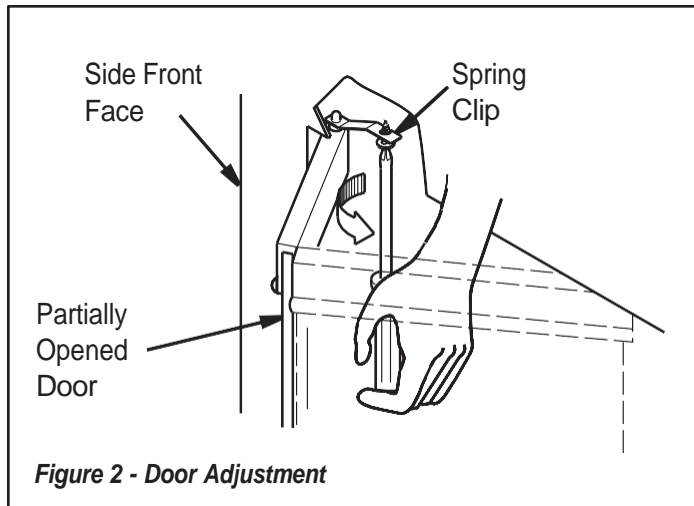


**Figure 1 - Bi-Fold Door Installation**

## DOOR ADJUSTMENT

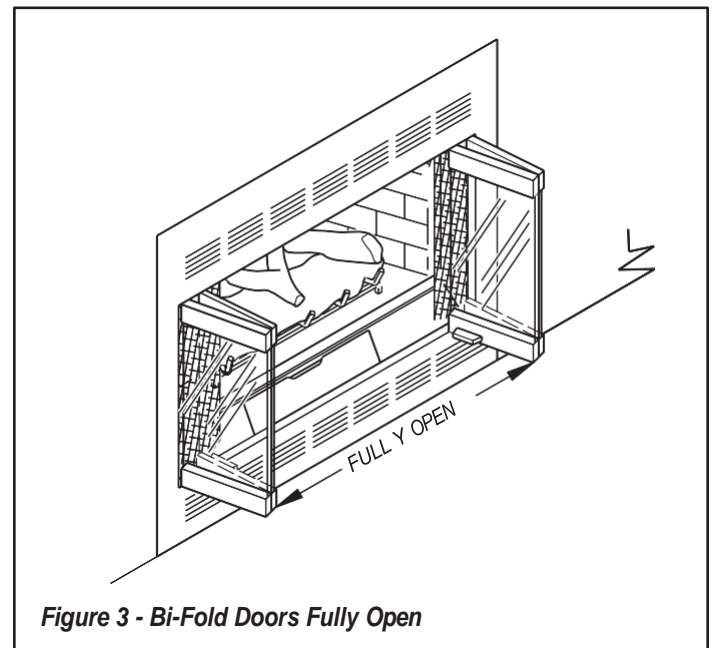
Remove doors and slightly loosen lower pivot plate (if equipped) and upper spring clips. Replace doors and fully close them. Use 1/8" shims (any material) to level doors. Once the proper setting is achieved, carefully open doors enough so that you can access pivot and spring clips with a Phillips screwdriver. Tighten screws (see **Figure 2**).

Please read *Care and Operating Guidelines*, column 2, before operating your appliance or fireplace.



## CARE AND OPERATING GUIDELINES

- Glass doors should be operated in the fully open or fully closed positions only (see **Figure 3**).
- When operating doors, do not slam shut or abuse them.
- Always keep area below bottom edge of doors clear from obstacles or debris.
- Do not operate this appliance if glass doors are broken or damaged.
- Do not use abrasive liquids or cleaners for cleaning of glass and door trims. Any household glass cleaner should suffice. Do not clean doors when hot, allow appliance to cool completely.



IHP reserves the right to make changes at any time, without notice, in design, materials, specifications, prices and also to discontinue colors, styles and products. Consult your local distributor for fireplace code information.