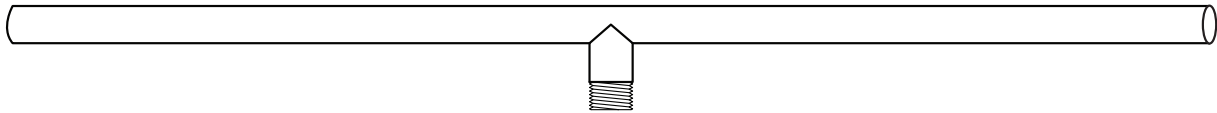




DO NOT DISCARD. THIS MANUAL HAS IMPORTANT OPERATING AND MAINTENANCE INSTRUCTIONS. LEAVE WITH THE HOMEOWNER.

MODEL:
SERIAL #:



Outdoor Fire Pit T-Burners & Kits

T-Burner Only	Description	T-Burner Kit	Description	Natural Gas (NG)
FG-T-21SS	21" T-Burner	FG-T-21SSK	21" T-Burner Kit	50,000 Btu's
FG-T-27SS	27" T-Burner	FG-T-27SSK	27" T-Burner Kit	50,000 Btu's
FG-T-33SS	33" T-Burner	FG-T-33SSK	33" T-Burner Kit	75,000 Btu's
FG-T-45SS	45" T-Burner	FG-T-45SSK	45" T-Burner Kit	100,000 Btu's
FG-T-57SS	57" T-Burner	FG-T-57SSK	57" T-Burner Kit	125,000 Btu's
FG-T-69SS	69" T-Burner	FG-T-69SSK	69" T-Burner Kit	150,000 Btu's
FG-T-81SS	81" T-Burner	FG-T-81SSK	81" T-Burner Kit	175,000 Btu's
FG-T-93SS	93" T-Burner	FG-T-93SSK	93" T-Burner Kit	200,000 Btu's

Installation and Operating Instructions

IF YOU CANNOT READ OR UNDERSTAND THESE INSTALLATION INSTRUCTIONS DO NOT ATTEMPT TO INSTALL OR OPERATE THIS APPLIANCE

These fire pit burners are manufactured from the factory for Natural gas only. If you intend using LP gas then you must purchase a LP conversion kit. See Table of Contents for LP conversion kit information.

INSTALLATION PRECAUTION:

Fire pit burners require a minimum 18-square inches (per side) of cross ventilation in an enclosure. Failure to provide proper ventilation can void the warranty.



Warning: For Outdoor Use Only



We recommend that our gas hearth products be installed and serviced by professionals who are certified in the U.S. by the National Fireplace Institute® (NFI) as NFI Gas Specialists.



DANGER

CARBON MONOXIDE HAZARD

This appliance can produce carbon monoxide which has no odor.

Using it in an enclosed area can kill you.

Never use this appliance in an enclosed space such as a camper, tent, car or home.



DANGER

If you smell gas:

1. Shut off gas to the appliance
2. Extinguish any open flame.
3. If odor continues, keep away from the appliance and immediately call your gas supplier or fire department.



WARNING

Do not store or use gasoline or other flammable vapors and liquids in the vicinity of this or other appliances.

Any LP cylinder not connected for use shall not be stored in the vicinity of this or other appliances.

WARNING

Do not leave unattended during use.
Do not use for cooking.
Follow all gas leak procedures in this manual prior to operation.



WARNING

Improper installation, adjustment, alteration, service or maintenance can cause injury or property damage. Read the installation, operating and maintenance instructions thoroughly before installing or servicing this equipment.

WARNING

If the information in these instructions is not followed exactly, a fire or explosion may result causing property damage, personal injury or death.

FOR YOUR SAFETY

Do not store or use gasoline or other flammable vapors and liquids in the vicinity of this or other appliances.



Fuels used in gas fired appliances, and the products of combustion such as fuels, contain chemicals known to cause cancer, birth defects and/or other reproductive harm. This warning is issued pursuant to the California Health & Safety Code Sec. 25249.1

CALIFORNIA PROPOSITION 65



WARNING

This product can expose you to Chromium, which is known to the state of California to cause cancer and birth defects or other reproductive harm. (For more information, go to www.p65warnings.ca.gov)

TABLE OF CONTENTS

Specifications	4
Preparation for Non-Combustible Structure	5
High Elevation	5
Cross Ventilation Requirements	5
Pipe Sizing Chart	6
Installation into an Approved Enclosure	7
H-Burner Assembly	8
Installing Key Valve / Media	9
Typical Installation Drawings	10
Operation	11
Lighting Instructions	11
Replacement Parts	12
Replacement Parts List	13
Converting to LP Gas	14
Optional Accessories	15
Fire Pit Maintenance	15
Trouble Shooting	15



CAUTION

All media (i.e. lava rock, lava stones, lava boulders and fire glass) has the potential of thermal spalling. This is a process that may occur when media is wet and moisture gets trapped inside of the material due to rapid temperature differences. When this happens the media has the potential to crack or “pop” outside the fire feature.

WE HIGHLY RECOMMEND COVERING ALL FIRE FEATURES WHEN NOT IN USE

The use of a cover can lessen the impact of thermal spalling; however, heavy rains, high humidity and the presence of moisture may still cause the media to pop.

ALWAYS USE CAUTION WHEN USING THE FIRE FEATURE

Extra caution should be taken when lighting a fire feature when heavy rains, high humidity and moisture are present. Light the fire feature; leave the area allowing any moisture in the media to dissipate. We strongly recommend that during this drying out time that you monitor the fire feature from a distance. This drying out period should be no less than 30 minutes. Continue monitoring the flame from distance to ensure that all popping has ceased before fully enjoying the fire.

SPECIFICATIONS

Models:	Pan/Disc Depth	Burner Length	Min. Inside Pan Dimension	Ground Level	Side Wall	Combustible Ceiling	Combustible Floor	Center Hub Size
H-Burner Only/ H-Burner Kit								
FG-T-21SS/ FG-T-21SSK	2 1/2" - 3"	21"	24" x 6"	8"	36"	96"	18"	7/8"-1"
FG-T-27SS/ FG-T-27SSK	2 1/2" - 3"	27"	30" x 6"	8"	36"	96"	18"	7/8"-1"
FG-T-33SS/ FG-T-33SSK	2 1/2" - 3"	33"	36" x 6"	8"	36"	96"	18"	7/8"-1"
FG-T-45SS/ FG-T-45SSK	2 1/2" - 3"	45"	48" x 6"	8"	36"	96"	18"	7/8"-1"
FG-T-57SS/ FG-T-57SSK	2 1/2" - 3"	57"	60" x 6"	8"	36"	96"	18"	7/8"-1"
FG-T-69SS/ FG-T-69SSK	2 1/2" - 3"	69"	72" x 6"	8"	36"	96"	18"	7/8"-1"
FG-T-81SS/ FG-T-81SSK	2 1/2" - 3"	81"	84" x 6"	8"	36"	120"	18"	7/8"-1"
FG-T-93SS/ FG-T-93SSK	2 1/2" - 3"	93"	96" x 6"	8"	36"	120"	18"	7/8"-1"

Table 1 Suggested pan sizes and clearance specifications

Description: T-burners are provided with a burner and orifice only (i.e. FG-T-21SS) and T-burner Kits are provided with T-burner, orifice, key valve assembly and flex line (i.e. FG-T-21SSK).

BEFORE INSTALLING A T-BURNER DETERMINE PAN SIZE TO BE USED:

The T-Burners listed above are not provided with a burner pan for installation. You must provide an appropriate non-combustible burner pan to install the T-Burner. Suggested burner pans sizes in Table 1 are strictly recommended based on the T-Burner model size. The pans can be a rectangular style pan or flat disc type. **NOTE:** It is recommended to use 304 Stainless Steel. Burner pans should have 1/4" drainage holes to prevent standing water in pan and the center hole for burner connection should be 7/8" - 1" diameter for all sizes.

CAUTION: DO NOT use stiff screen/perforated metal as a burner pan. Some gases are heavier than air and screen/perforated metal can allow gas to flow downward in an enclosure which could cause delayed ignition or explosions.

Model:	NG Orifice	BTU's NG	LP Orifice
H-Burner Only/ H-Burner Kit			
FG-T-21SS/ FG-T-21SSK	OAS-NG34	50,000 (14.65kW)	OAS-LP47
FG-T-27SS/ FG-T-27SSK	OAS-NG34	50,000 (14.65kW)	OAS-LP47
FG-T-33SS/ FG-T-33SSK	OAS-NG29	75,000 (21.98kW)	OAS-LP41
FG-T-45SS/ FG-T-45SSK	OAS-NG22	100,000 (29.31kW)	OAS-LP35
FG-T-57SS/ FG-T-57SSK	OAS-NG16	125,000 (36.63kW)	OAS-LP31
FG-T-69SS/ FG-T-69SSK	OAS-NG11	150,000 (43.96kW)	OAS-LP29
FG-T-81SS/ FG-T-81SSK	OAS-NG05	175,000 (51.29kW)	OAS-LP26
FG-T-93SS/ FG-T-93SSK	OAS-NG02	200,000 (58.61kW)	OAS-LP22

Table 2 Btu Specifications

Disclaimer: Btu listings are based on 7.0"WC for Natural Gas and 11.0"WC for Liquid Propane (LP) at the burner orifice. Flex line size and proper gas pipe sizing will also affect Btu's. As a result your Btu's may vary slightly from Table 2 specifications.

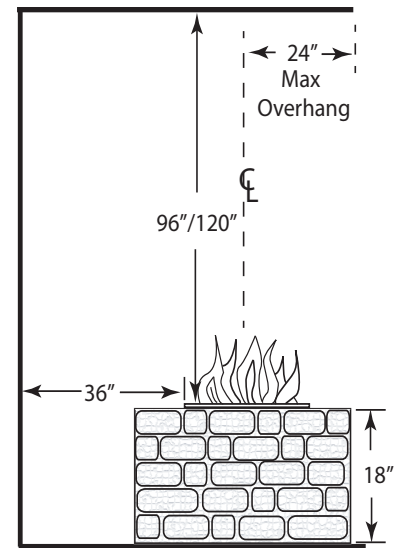


Fig. 1 Clearance to combustibles

Pressure	NG	LP
Min. Inlet	5.0" WC (1.24 kPa)	10.5" WC (2.61kPa)
Max. Inlet	10.5" WC (2.61kPa)	13.0" WC (3.23kPa)
Normal Inlet	7.0" WC (1.74kPa)	11.0" WC (2.73kPa)

Table 3 Gas Pressures



PREPARING A NON-COMBUSTIBLE STRUCTURE

The fire pit it so be installed on a flat, stable surface, away from any combustible materials. Install fire pit on any level, outdoor non-combustible enclosure, specified in this manual. **NOTE:** Do not place fire pit directly on grass, dirt, or rocks this may prevent proper ventilation in Fig. 3. In addition, do not recess the fire pit into the ground. **Ensure proper water drainage is also incorporated underneath the fire pit enclosure.**

HARD PIPING TO FIRE PIT WITHOUT GAS PROXIMITY

NOTE: Refer to the NFPA54 (National Fuel Gas Code) for proper pipe sizing. See gas line sizing chart on page 6 as a reference.

1. Turn **OFF** gas supply system. **NOTE:** All gas connections (except for brass to brass) require the following. Clean pipe threads using either a wire brush or steel wool. Apply pipe sealant to the fittings before making any connection.
2. Ensure all gas connections are snug, but do not over tighten! **BE CAREFUL!**
3. Consult a plumber for proper installation to ensure you are providing adequate gas supply for your application.
4. The primary gas shut-off (not supplied) will require a ½" male flared fitting to enable connection of the stainless steel flex gas line supplied with the fire pit (see Fig. 7 page 10).
5. Do not place an LP tank inside any fire pit enclosure. Locate all propane (LP) tanks outside the enclosure.
6. To prevent performance problems in Propane (LP) fire pits, do not use a Propane tank less than 100lbs. capacity.

WARNING: Proper clearances from combustible materials must be maintained from all sides, top and bottom of this appliance. Use the specifications listed in Table 1 and Fig. 2 for proper clearance to combustibles.

IMPORTANT

Installation of Natural or LP gas should be done by a qualified installer, service agency or gas supplier. This appliance must be isolated from the gas supply piping system by closing its manual shutoff valve during any pressure testing of the gas supply piping system at test pressures equal to or less than ½" psi (3.5kPa).

HIGH ELEVATION INSTALLATION

This appliance is listed for elevations from 0-4500 feet in Canada and the U.S. If elevation exceeds 4500 feet it may be necessary to decrease the input rating by changing the existing burner orifice to a smaller size. Input should be reduced 4% for each 1000 feet beyond the 4500 feet above sea level. Check with your local gas utility for assistance in determining the proper orifice in your location. In some cases the heating value may already be reduced and downsizing the orifice may not be necessary.

VENTILATION FOR NON-COMBUSTIBLE ENCLOSURE

Fire pits are subjected to many outdoor elements such as rain, snow, wind, heat or cold. **A minimum of 18 square inches (per side) of cross ventilation is required to keep the components in good working order.** Use Fig. 3 as guide to assist to incorporate proper ventilation.

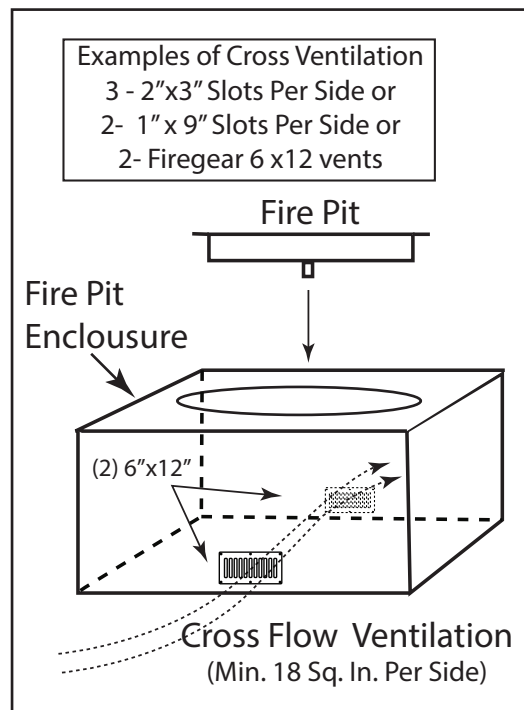


Fig. 2 Cross Ventilation Example

GAS PIPE SIZING CHART

NATURAL GAS : PIPE SIZING CHART

Length of Pipe in Feet	1/2"	3/4"	1"	1 - 1/4"	1 - 1/2"	2"	2 - 2 1/2"	3"	4"
10	108	230	387	793	1237	2259	3640	6434	-
20	75	160	280	569	877	1610	2613	5236	9521
30	61	129	224	471	719	1335	2165	4107	7859
40	52	110	196	401	635	1143	1867	3258	6795
50	46	98	177	364	560	1041	1680	2936	6142
60	42	89	159	336	513	957	1559	2684	5647
70	38	82	149	317	476	896	1447	2492	5250
80	36	76	140	239	443	840	1353	2315	4900
90	33	71	133	275	420	793	1288	2203	4667
100	32	68	126	266	411	775	1246	2128	4518
125	28	60	117	243	369	700	1143	1904	4065
150	25	54	105	215	327	625	1008	1689	3645
175	23	50	93	196	303	583	993	1554	3370
200	22	47	84	182	280	541	877	1437	3160
300	17	37	70	145	224	439	686	1139	2539

- Natural Gas (NG) flow is given in thousands of BTU/hr. = 1 cubic foot of NG gas - 1000 BTU
- Nominal pressure at the burner for Natural Gas is 3.5" of water column. (Typical machine supply 5"-7")
- Pipe length must include additional length for all fittings. Add approximately 5 feet of pipe per fitting.
- Natural Gas Example: A machine with a burner that requires 440,000 BTU would need a 1 -1/4" pipe for a 20" long run.

LIQUID PROPANE : PIPE SIZING CHART

Length of Pipe in Feet	1/2"	3/4"	1"	1 - 1/4"	1 - 1/2"	2"	2 - 2 1/2"	3"	4"
10	275	567	1071	2205	3307	6221	10140	17990	35710
20	189	393	732	1496	2299	4331	7046	12510	25520
30	152	315	590	1212	1858	3465	5695	10110	20620
40	129	267	504	1039	1559	2992	4778	8481	17300
50	114	237	448	913	1417	2646	4343	7708	15730
60	103	217	409	834	1275	2394	3908	6936	14150
70	89	185	346	724	1086	2047	3329	5908	12050
80	78	162	307	630	976	1811	2991	5309	10830
90	69	146	275	567	866	1606	2654	4711	9613
100	63	132	252	511	787	1496	2412	4281	8736
125	54	112	209	439	665	1282	2083	3618	7382
150	48	100	185	390	590	1138	1808	3210	6549
175	43	90	168	353	534	1030	1637	2905	5927
200	40	83	155	325	491	947	1505	2671	5450
300	37	77	144	303	458	887	1404	2492	5084

- Liquid Propane (LP) Gas flow is given in thousands of BTU/hr. = 1 cubic foot of LP gas - 2500 BTU.
- This chart refers to low pressure LP, after regulation, Standard nominal pressure at the burner for Liquid Propane Gas is 11" of water column.
- Pipe length must include additional length for all fittings. Add approximately 5 feet of pipe per fitting.
- LP Example: A machine with a burner that requires 440,000 BTU would need a 1" pipe for a 20' long run.

NOTE: The sizing charts above list the specific pipe sizes required for the amount of BTU's for a new gas line installations. If you are using an existing gas line you must take into consideration the existing gas line capacities to ensure you will have proper pressure. **This chart is for reference only, we recommend you consult with a Licensed Plumber/Gas Fitter or NFPA54 (National Fuel Gas Code - current edition) for more details.**

Table 4 Gas Pipe Sizing Chart



INSTALLATION OF FIRE PIT INTO AN APPROVED ENCLOSURE

REQUIREMENTS

1. Only non-combustible materials should come in direct contact with any part of the fire pit. Underneath area should be non-combustible or a flat level combustible surface according to the clearances specified in this manual.
2. Refer to the NFPA54 (National Fuel Gas Code) for proper pipe sizing. Determine the size of the fire pit you are preparing to install (Refer to page 6, Table 4).
3. Determine the size of the round or square fire pit you are preparing to install (Refer to page 4).
4. You must provide a round or square opening out to place the fire pit into the non-combustible enclosure. A minimum burner pan dimension is listed in Table 1.
5. Follow the local code requirements for the gas type being used. This fire pit should be installed in accordance with local codes and ordinances or in the absence of local codes, with the latest National Fuel Gas Code, ANSI Z223.1 NFPA54 or CSA B149.1, Natural and Propane Installation Code in Canada.
6. Fire pits create high temperatures, it is very important to have any combustibles at a safe distance.
7. Do not fill the enclosure with gravel, rock or sand. The enclosure requires free flowing air underneath to keep enclosure cool, provide ventilation to prevent moisture, and provide an outlet for gas in the case of a gas leak.
8. **CAUTION: A minimum of 18 square inches of cross ventilation (opposite sides) is required to keep the enclosure dry.**
9. These products are designed for outdoor use only. **Not approved for any indoor use or any enclosed space.**
10. This fire pit is designed to have Firegear Outdoors lava rock or glass media completely covering the burner tube, so that the burner is not visible. Do not cover more than 1" above the top of burner. Use lava rock a minimum of 1" diameter as a base to fill the burner pan. DO NOT USE STONE OR RIVER ROCK.
11. Gas lines and fittings must be installed in to the non-combustible structure. All gas connections must be leak tested before installation of the fire pit. Soapy water leak detection is required before regular use of the fire pit.
12. Do not use material that will absorb moisture over time and will not release this moisture quickly. Moisture can boil in this material and can rapidly break apart and cause damage or personal injury.
13. Never leave any other combustible material on top of the fire pit. This could cause unsafe operation of this system and damage to the component that will not be covered under our warranty.
14. **Ensure proper water drainage is also incorporated into the fire pit enclosure.**

T-Burner ASSEMBLY

CAUTION: Do not assemble the OAS and U3-8D-S until you are ready to install the T-Burner into the burner pan. The OAS is 1½" in diameter and would not fit the recommended center hole size per Fig. 6 and Fig. 9.

ALL T-BURNER MODELS

Before you begin installing the T-Burner into a burner pan ensure the center hole is 7/8" to 1-inch in diameter (See Fig. 6). **Ensure to seal the burner nipple and each NPT fitting with thread tape or pipe compound.** **NOTE:** Flared fittings will not require tape or compound on the flared side.

Step 1: Install the T-Burner through the pan (See Fig. 4) then install the OAS and U3-8D-S to the nipple connect inlet gas line as shown in Fig. 5.

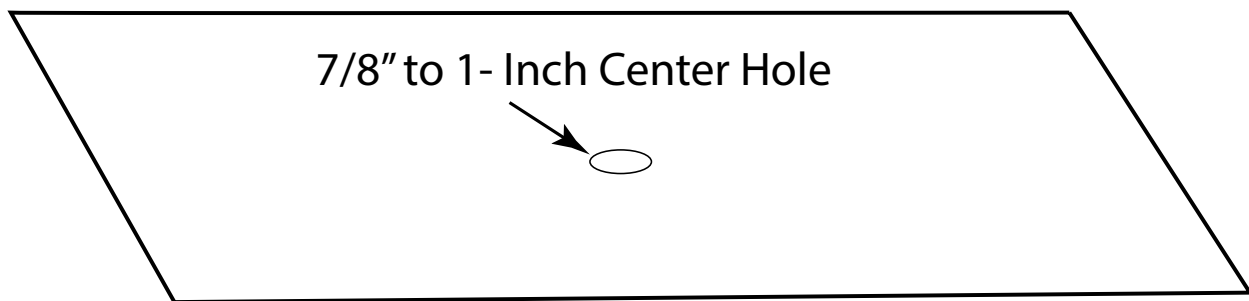


Fig. 3 Minimum center clearance hole in burner pan.

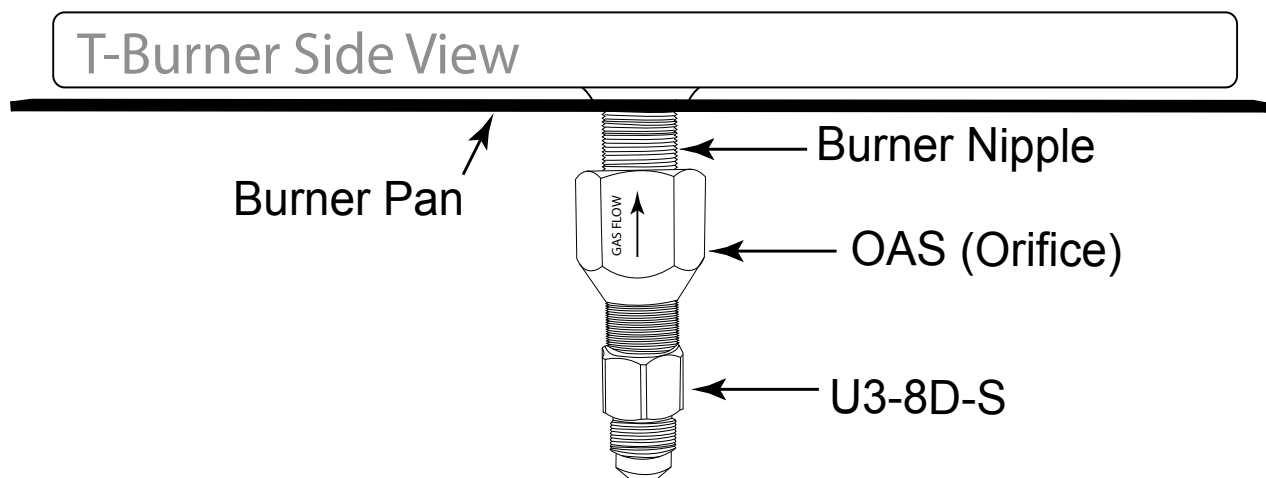


Fig. 4 T-Burner Installed into Burner pan/disc.

INSTALLING KEY VALVE

Note: If you did not order a T-Burner kit with a key valve assembly you will need to provide a key valve for the installation or order one from Firegear Outdoors. See replacement parts list in manual for model numbers.

The key valve contents: 1- key valve, 1- key and 1- flange. (See Fig 6). The valve requires a 1¼" round clearance hole in the non-combustible enclosure wall. See the instructions supplied with the key valve for more specific details.

Note: Be sure to leak test all fitting before operation. Fig. 7 on page 10 shows an example of a typical installation.

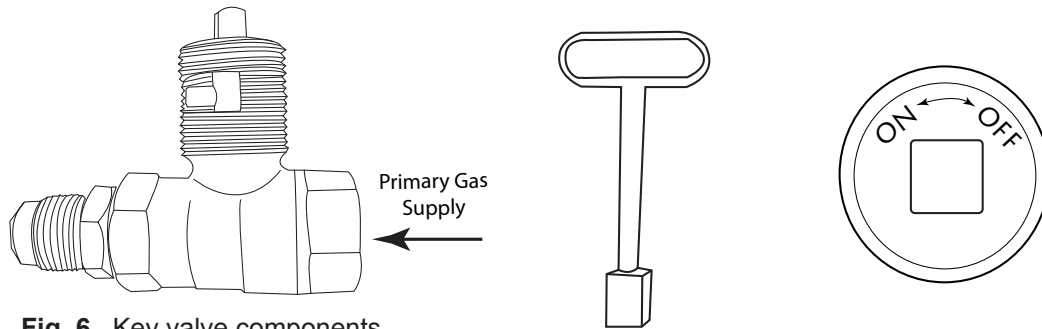


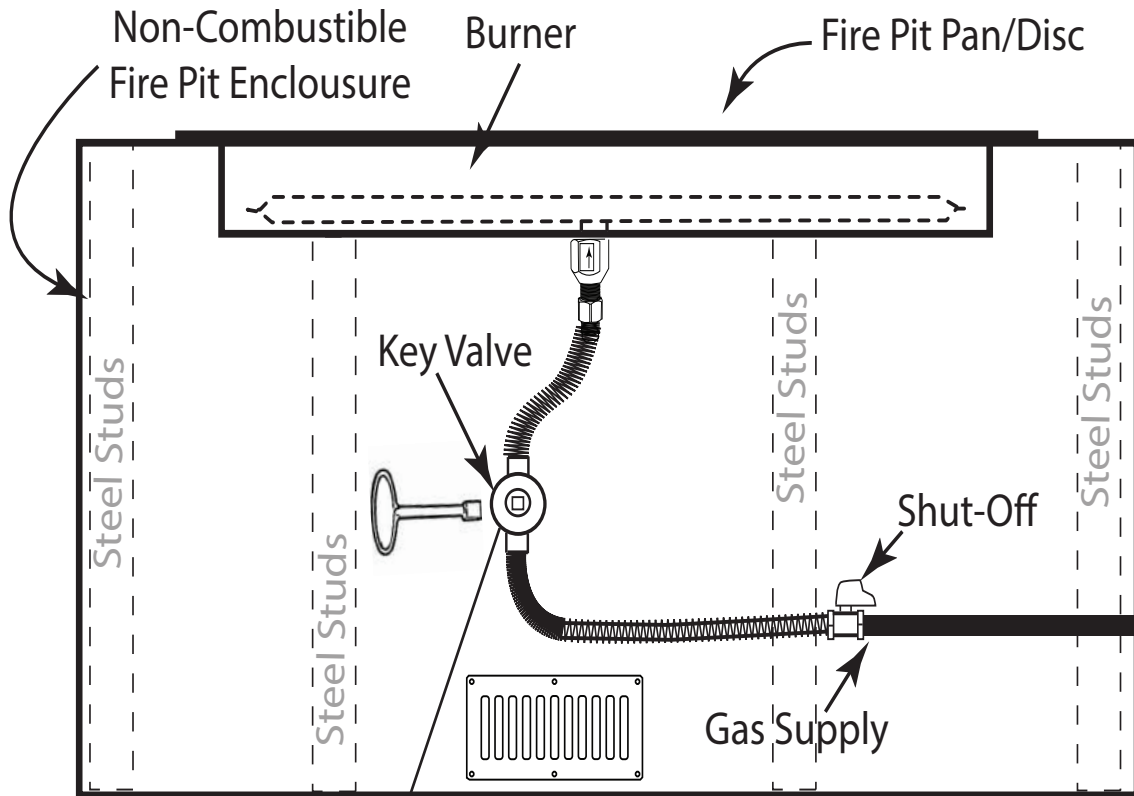
Fig. 6 Key valve components.

INSTALLATION OF LAVA ROCK/MEDIA INTO BURNER PAN

Install lava rock into the burner pan. Ensure the lava rock is a 1-inch diameter for proper operation. **Note:** Do not pour Lava Rock directly from bag. It should be placed naturally and NOT packed in tight. Loose fitting is important to ensure robust flames. Be sure rocks are free of any excessive dust. This prevents the burner pan weep holes from being plugged and holding water. Cover the burner completely with media but do not make the depth greater than 1-inch over top of the burner portholes. Other approved Firegear Outdoors media such as glass or Lava Stones can also be used.

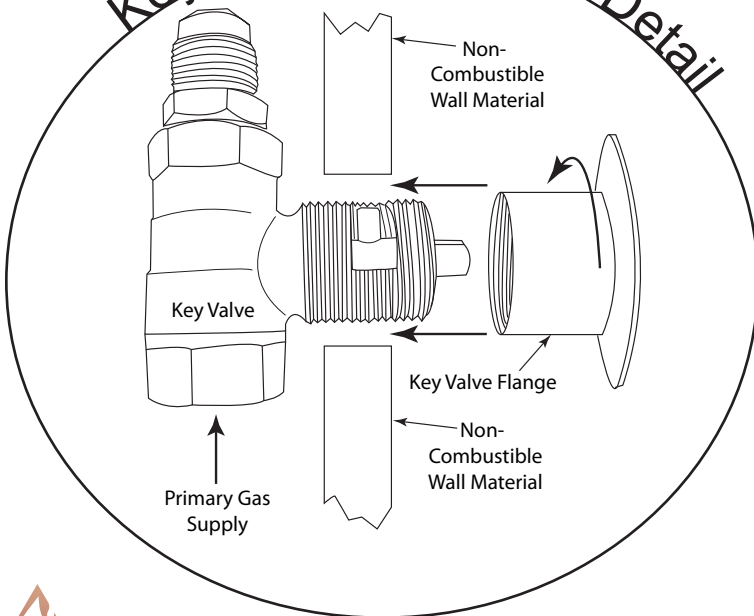
MEDIA MUST BE USED DURING OPERATION OF FIRE PIT AT ALL TIMES.

TYPICAL INSTALLATION DRAWINGS



NOTE: Key valve and flexible gas lines are supplied. Gas shut-off is not supplied.

Key Valve Side View Detail



Note: A 1 $\frac{1}{4}$ " x 2" black iron or galvanized coupler/nipple (not supplied) can be used as a spacer between the manual valve and the valve flange to add additional support to hold the manual key valve in place.

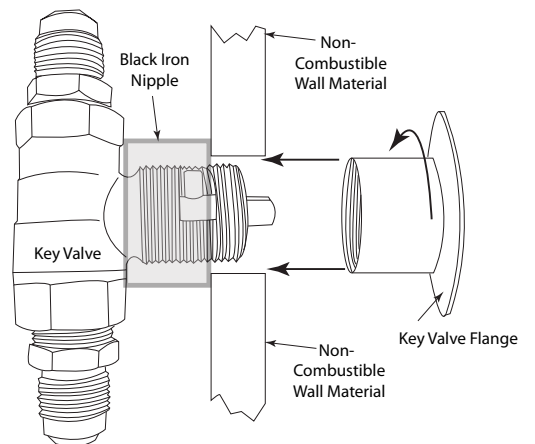


Fig. 5 Typical installation.

OPERATION

CAUTION: Children and adults should be alerted to the hazards on high surface temperatures and should stay away to avoid burns or clothing ignition. Young children should be carefully supervised when they are in the area of the appliance.

WARNING: Do not use this appliance if any part has been under water. Immediately call a qualified service technician to inspect the appliance and to replace any part of control system and any gas control, which has been under water.

SAFETY WARNINGS

1. Never leave the fire pit unattended during operation.
2. Clothing or other flammable materials should not be placed on or near the appliance.
3. Any guard or other protective device removed for servicing the appliance must be replaced prior to operating the appliance.
4. Installation and repair should be done by a qualified service person. The appliance should be inspected before use and at least annually by a qualified service person. More frequent cleaning may be required as necessary. It is imperative the control compartment, burners and circulating air passageways of the appliance be kept clean.
5. Inspect the fuel supply connection before each use of the appliance.
6. Temporary storage of this appliance indoors is permissible only if it has been disconnected from its fuel supply (Natural or L.P. gas line).

WARNING

1. This appliance is hot when operated and can cause severe burns if contacted.
2. Do not burn any solid fuels in this appliance.

LIGHTING INSTRUCTIONS

READ ALL WARNING AND SAFETY INFORMATION ABOVE BEFORE ATTEMPTING TO LIGHT FIRE PIT

CAUTION: Ensure you have leak tested the fire pit before operating.

TURNING ON FIRE PIT

1. Insert key into shut-off valve and secure into square end (See Figs. 8-10).
2. Light a long match or butane lighter and hold it near the burner (see Fig. 10).
3. Turn the key slowly counter-clockwise in key valve (ON position) to allow gas to flow and simultaneously apply the long burning match or Butane lighter as close to the end burner as possible to light the fire pit.
4. Gas should ignite within 10 seconds or less. If fire pit does not light within 10 seconds turn key clockwise to turn **OFF** the gas supply. Ensure there is not too much media on top of the burner that might inhibit gas flow and try again in 5 minutes.

TURNING OFF FIRE PIT

1. Insert key into shut-off valve and secure into square end.
2. Turn key clockwise until it stops.
3. After cooling off install cover.

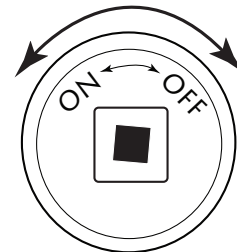


Fig. 8 Key valve flange

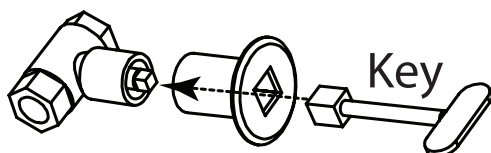


Fig. 9 Inserting Key into Valve

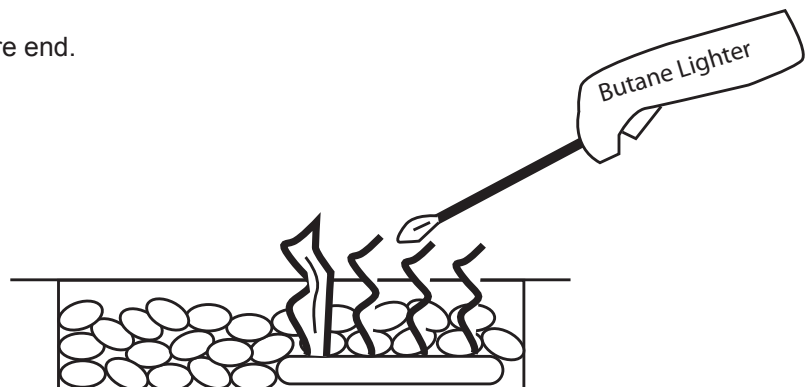
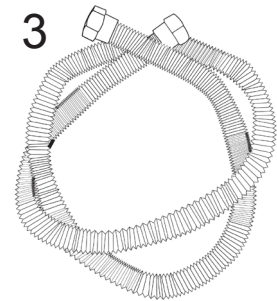
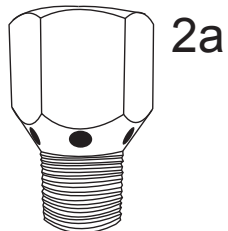
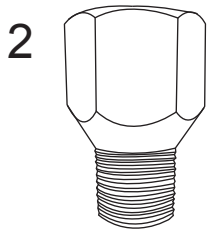
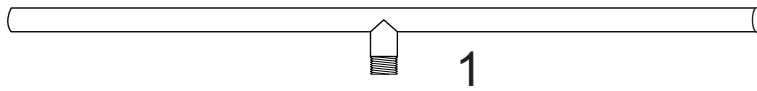
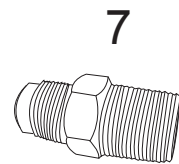
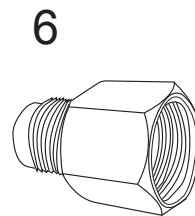
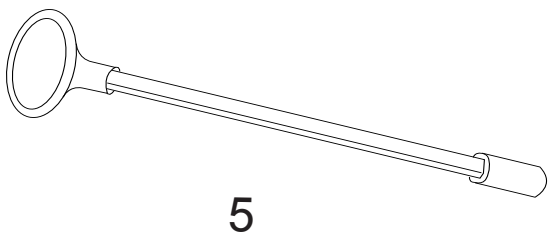
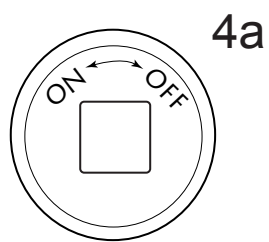
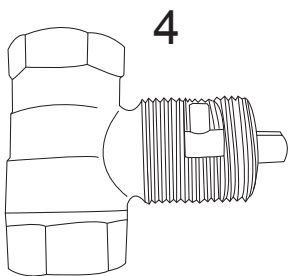


Fig. 10 Lighting fire pit with lighter

REPLACEMENT PARTS



Drawings not to scale



REPLACEMENT PARTS

Item	Description	Qty.	Part Number
1	21" T-Burner Burner Only (used with FG-T-21SS or FG-T-21SSK)	1	10615
1	27" T-Burner Burner Only (used with FG-T-27SS or FG-T-27SSK)	1	10600
1	33" T-Burner Burner Only (used with FG-T-33SS or FG-T-33SSK)	1	10601
1	45" T-Burner Burner Only (used with FG-T-45SS or FG-T-45SSK)	1	10602
1	57" T-Burner Burner Only (used with FG-T-57SS or FG-T-57SSK)	1	10603
1	69" T-Burner Burner Only (used with FG-T-69SS or FG-T-69SSK)	1	10612
1	81" T-Burner Burner Only (used with FG-T-81SS or FG-T-81SSK)	1	10617
1	93" T-Burner Burner Only (used with FG-T-93SS or FG-T-93SSK)	1	10618
2 2a	OAS (Orifice Air Shutter) for Natural Gas or LP Gas Fire Pits	1	Refer to Table 2 on page 4
3	1/2" Flex Gas Line (46-inch Length) (used with all kits)	1	T200-9898-46
4	High Capacity Key Valve	1	BVL2S
4a	Chrome Plated Flange Cover (used with BVL2S key valve)	1	CVR-BVL2CP
5	8-inch Chrome Key (used with all key valves)	1	8" or 12"
6	1/2" Flare to 1 1/2" FIP Fitting (used with all DBS Kits)	1	48-88

See the Firegear Outdoors catalogue for a variety of fittings and flex connectors also available.

CONVERTING TO LP GAS

Conversion Kit	Common Parts	Btu Ratings	LP Orifice	T- Burner Model
78071	#99-8, #113-SS4-D5, U3-8D-S	50,000 (14.65kW)	OAS-LP47	FG-T-21SS, FG-T-21SSK FG-T-27SS, FG-T-27SSK
78072	#99-8, #113-SS4-D5, U3-8D-S	75,000 (21.98kW)	OAS-LP41	FG-T-33SS, FG-T-33SSK
78073	#99-8, #113-SS4-D5, U3-8D-S	100,000 (29.30kW)	OAS-LP35	FG-T-45SS, FG-T-45SSK
78074	#99-8, #113-SS4-D5, U3-8D-S	125,000 (36.63kW)	OAS-LP31	FG-T-57SS, FG-T-57SSK
78075	#99-8, #113-SS4-D5, U3-8D-S	150,000 (43.96kW)	OAS-LP29	FG-T-69SS, FG-T-69SSK
78076	#99-8, #113-SS4-D5, U3-8D-S	175,000 (51.28kW)	OAS-LP26	FG-T-81SS, FG-T-81SSK
78077	#99-8, #113-SS4-D5, U3-8D-S	200,000 (58.61kW)	OAS-LP22	FG-T-93SS/ FG-T-93SSK

Table 6 LP conversion chart

When converting Burners to LP gas the main burner orifice must be kept a minimum of 6-inches away from the burner connection (nipple) to prevent any back pressure at the LP orifice. See Fig. 11 below for details. **Note:** It is acceptable to install a 90° elbow, if necessary, to run the gas line the opposite direction (see Fig 12). A 90° elbow is not provided with the kit.



All NPT pipe threads must be sealed with approved gas Teflon tape or pipe compound.
Check for any gas leaks before presuming normal operation after conversion is complete.

CAUTION: Ensure there is ventilation under the burner to provide fresh air for air shutter/orifice.

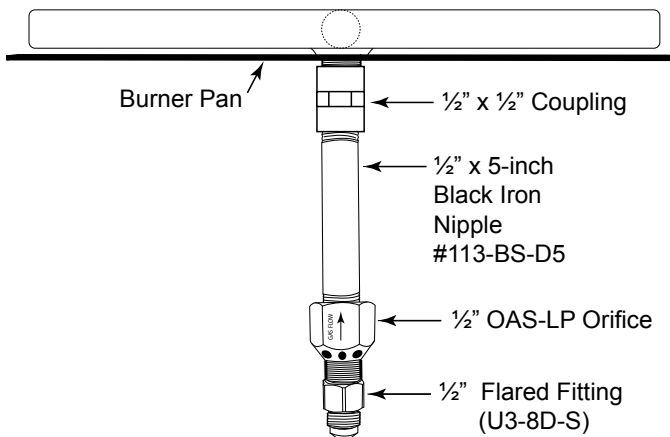


Fig. 11 Proper LP conversion illustration.

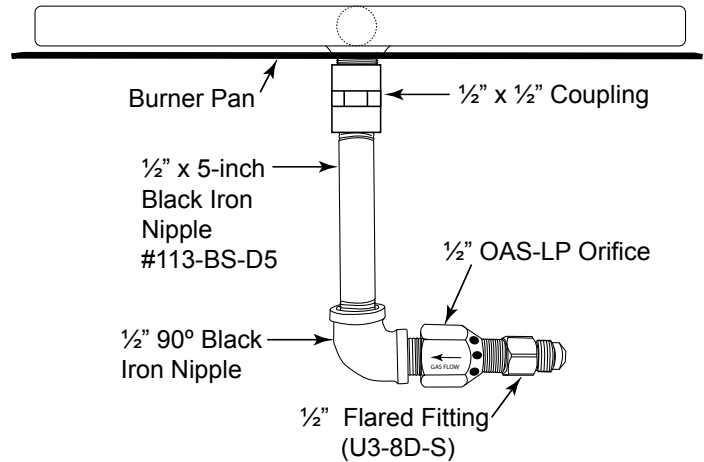


Fig. 12 Optional LP conversion illustration shows a 90° elbow (not supplied).

ACCESSORIES

The following accessories are available from your local Firegear Outdoors dealer/distributor. Each accessory comes with a separate installation manual. Read each instruction thoroughly before installing.

Lava Stones 1" to 2" size. Model: FG-LS50 (50lb. bag)	Lava Rock 1" to 2" diameter Model: FG-LAVA-10 (10lb. bag), FG-LAVA40 (40lb bag.)	Vent Kits provide 18 square inches of ventilation per side of enclosure Model: VENT-KIT-6X12SS
---	---	--

FIRE PIT MAINTENANCE

1. The fire pit should be inspected and cleaned before initial use at least annually by a qualified field service person.
2. Any component that is found faulty must be replaced with an approved component.
3. Any tampering or modifying with the fire pit is dangerous and voids all warranties.
4. During winter months in cold climates and various seasons operation the fire pit may be affected by weather conditions. It is recommended to use a ventilated cover ovetop of your fire pit to protect it from humid/rainy weather conditions when not in use. Heavy rains/downpours could affect the fire pit operation if not covered; if this occurs ensure you allow the fire pit time to dry out before attempting to operate. **NOTE:** If a combustible type cover is used over the fire pit when not in use be sure to remove it before operation to prevent a severe safety hazard.
5. Over time stainless steel parts can discolor when heated, usually a golden or brown hue. This discoloration is normal and does not affect the performance of the appliance.

TROUBLE SHOOTING

<u>Symptom</u>	<u>Remedy</u>
Fire pit won't light	1. Bleed gas line. 2. Ensure all gas supply lines are turned ON. 3. Ensure there is not too much media ovetop of burner; it can inhibit gas from flowing. 4. Check gas pressure.
Low flame	1. Ensure the base media is at least 1-inch in diameter and top media is no more than 1-inch over top of burner. 2. Ensure all shut-off valves and key valve is fully open. See page 11; Figure 14 3. Check gas pressure. 4. Check for spider webs blocking the air shutter orifice.
Water in my fire pit	1. Excess dust/sand material from media may be blocking the weep holes to relieve water. Remove all media and unplug weep holes. Clean or install new media free of dust and dirt. 2. Ensure fire pit enclosure has proper drainage for water and proper ventilation to dry out.

FOR TECHNICAL SERVICE, CALL: (800) 966-8126

Firegear Outdoors
 17322 Gothard St
 Huntington Beach, CA 92647
 Web Site: www.firegearoutdoors.com



FIREGEAR LIMITED WARRANTY - 2020

Firegear Outdoors hereby warrants to the end user that products will be free from material and workmanship defects that prevent safe and correct operation of the product. The warranty commences from date of sale to the end user for the following period:

CONSUMER RESIDENTIAL APPLICATIONS – MANUFACTURED AFTER 12/02/2019

BURNER SYSTEMS, BURNERS, COMPONENTS AND ACCESSORIES

- LIFETIME WARRANTY ON CONSTRUCTION AND MANUFACTURER DEFECTS
- LIFETIME WARRANTY - STAINLESS STEEL BURNERS AND PANS
- LIFETIME WARRANTY - BRASS BURNERS
- FIVE (5) YEAR WARRANTY - GAS VALVE, SPARK IGNITER, PILOT ASSEMBLIES
- FIVE (5) YEAR WARRANTY - AWS ELECONITC IGNITION SYSTEMS (24VAC, 30 VDC)
- FIVE (5) YEAR WARRANTY - TFS/TMSI ELECTRONIC COMPONENTS
- FIVE (5) YEAR WARRANTY – MT COMPONENTS (KEY VALVE)
- FIVE (5) YEAR WARRANTY - REFRACTORY GAS LOG SETS
- FIVE (5) YEAR WARRANTY - READY TO FINISH/ANF FIRE PIT ENCLOSURES
- FIVE (5) YEAR WARRANTY – SKYTECH MANUACFTURED OPTIONAL CONTROLS

OUTDOOR FIREPLACE – KALEA BAY

- LIFETIME WARRANTY - CONSTRUCTION AND MANUFACTURER DEFECTS
- LIFETIME WARRANTY - STAINLESS STEEL COMPONENTS
- FIVE (5) YEAR WARRANTY - GAS VALVE, PILOT ASSEMBLY, POWER SUPPLY, CONTROLS
- FIVE (5) YEAR WARRANTY – SKYTECH MANUACFTURED OPTIONAL CONTROLS

SANCTUARY SERIES – GFRC FIRE FEATURES

- THREE (3) YEAR WARRANTY - GFRC STRUCTURE
- REFER TO THE APPROPRIATE BURNER SYSTEM FOR WARRANTY
WARRANTY COVERS MANUFACTURING DEFECTS OR STRUCTURAL FAILURE. SMALL STRESS CRACKS AND SURFACE CRAZING ARE A NATURAL OCCURRENCE IN GFRC PRODUCTS AND NOT COVERED BY WARRANTY.

READY TO FINISH/ANF ENCLOSURES

- FRAME – LIFETIME WARRANTY ON CONSTRUCTION AND MANUFACTURER DEFECTS

ACCESSORIES

- LIFETIME WARRANTY - CONSTRUCTION AND MANUFACTURER DEFECTS
- LIFETIME WARRANTY - STAINLESS STEEL COMPONENTS (LIDS, STAINLESS STEEL COVERS)
- ONE (1) YEAR WARRANTY – ESTOP1-OH, ESTOP2-5H WINDSHIELDS, HOSES AND REGULATORS

COMMERCIAL APPLICATIONS – MANUFACTURED AFTER 12/02/2019

BURNER SYSTEMS, BURNERS, COMPONENTS AND ACCESSORIES

- TWO (2) YEAR WARRANTY ON CONSTRUCTION AND MANUFACTURER DEFECTS
- TWO (2) YEAR WARRANTY - STAINLESS STEEL BURNERS AND PANS
- TWO (2) YEAR WARRANTY - BRASS BURNERS
- TWO (2) YEAR WARRANTY - GAS VALVE, SPARK IGNITER, PILOT ASSEMBLIES
- TWO (2) YEAR WARRANTY - AWS ELECTRONIC IGNITION SYSTEMS (24VAC, 30 VDC)
- TWO (2) YEAR WARRANTY – MT COMPONENTS (KEY VALVE)
- TWO (2) YEAR WARRANTY - REFRACTORY GAS LOG SETS
- FIVE (5) YEAR WARRANTY - READY TO FINISH/ANF FIRE PIT ENCLOSURES
- TWO (2) YEAR WARRANTY – SKYTECH MANUFACTURED OPTIONAL CONTROLS

OUTDOOR FIREPLACE – KALEA BAY

- LIFETIME WARRANTY - CONSTRUCTION AND MANUFACTURER DEFECTS
- LIFETIME WARRANTY - STAINLESS STEEL COMPONENTS
- TWO (2) YEAR WARRANTY - GAS VALVE, PILOT ASSEMBLY, POWER SUPPLY, CONTROLS
- TWO (2) YEAR WARRANTY – SKYTECH MANUFACTURED OPTIONAL CONTROLS

SANCTUARY SERIES – GFRC FIRE FEATURES

- THREE (3) YEAR WARRANTY - GFRC STRUCTURE
- REFER TO THE APPROPRIATE BURNER SYSTEM FOR WARRANTY
WARRANTY COVERS MANUFACTURING DEFECTS OR STRUCTURAL FAILURE. SMALL STRESS CRACKS AND SURFACE CRAZING ARE A NATURAL OCCURRENCE IN GFRC PRODUCTS AND NOT COVERED BY WARRANTY.

READY TO FINISH/ANF ENCLOSURES

- FRAME – LIFETIME WARRANTY ON CONSTRUCTION AND MANUFACTURER DEFECTS

ACCESSORIES

- LIFETIME WARRANTY - CONSTRUCTION AND MANUFACTURER DEFECTS
- LIFETIME WARRANTY - STAINLESS STEEL COMPONENTS (LIDS, STAINLESS STEEL COVERS)
- ONE (1) YEAR WARRANTY – ESTOP1-OH, ESTOP2-5H WINDSHIELDS, HOSES AND REGULATORS

The end-user must provide a bill of sale, canceled check, or payment record to verify the purchase date and to establish the warranty period. This Limited Warranty shall be valid and limited to the original purchaser only.

WARNING Any modification to the product will void the warranty.

This Limited Warranty shall be limited to the repair and/or replacement of parts that have been proven to be defective under normal use and service. All warranty claims must be made by the OEM/Distributor/Dealer account on behalf of the end-user. You may contact Technical Support at 800-966-8126.

Our Technical Service Department must confirm all approved defects. If a defect is confirmed and we approve the claim, we will replace such parts without charge. This warranty gives you specific legal rights, and you may also have other rights, which vary from state to state.

The manufacturer may request defective products returned with an RMA (Return Merchandise Authorization) issued by Firegear Outdoors for specific products, which is considered to be the nature of the defect and or warranty claim. Product to be returned should; be packed so as not to incur damages during transportation. Firegear is not responsible for damages on returned items. RMA is valid for thirty (30) days from the date issued. The RMA must be clearly marked on the outside of the package.

Please check with your local building code department or governing agency for proper approvals before purchasing. Firegear Outdoors is not responsible for any violation of local codes.

Travel, diagnostic cost, service labor to repair the defect on warranty parts to and from the factory will be the responsibility of the owner. We will not be responsible for labor charges and/or damage incurred in installation, repair, and replacement. Firegear is not responsible for Issues related to gas or electrical installation.

The Limited Warranty is voided if not assembled, installed, and operated as intended. This Limited Warranty does not cover any defects due to accident, abuse, misuse, alteration, misapplication, vandalism, improper installation or improper maintenance or service, removal from the original location, or re-installation into another location, or failure to perform normal and routine maintenance.

Damage due to severe weather conditions such as hail, hurricanes, earthquakes, tornadoes, discoloration due to overheating, exposure to chemicals (including chlorine and salt), either directly or in the atmosphere, or very high humidity, is not covered by this Limited Warranty. Costal, humid and/or salt environments are subject to manufacturer review. All out-of-box claims must be made within 30 days of purchase and must be made prior to installation. Any product installed damaged will be considered damaged during installation and not covered under warranty.

There are no other express warranties except as set forth herein. For consumer applications, any applicable implied warranties of merchantability and fitness are limited induration to the period of coverage of this Limited Warranty. Some states do not allow limitation on how long an implied warranty lasts, so this limitation may not apply to you.

For Commercial Applications, the liability of Firegear Outdoors is limited to the express terms of this warranty. We expressly disclaim any and all implied warranties, including any warranties of fitness for a particular purpose or merchantability.



We are not liable for any special, indirect or consequential damages. Our maximum liability is limited to the purchase price of the purchased units. Some states do not allow the exclusion or limitation of incidental or consequential damages, so this limitation or exclusion may not apply to you.

We do not authorize any person or company to assume for it any other obligation or liability in connection with the sale, installation, use, removal, return, or replacement of its equipment, and or such representation are binding.

Firegear Outdoors
17322 Gothard Street, Huntington Beach, CA 92647
www.firegearoutdoors.com
Phone: 800-966-8126
Email: order@firegearoutdoors.com

