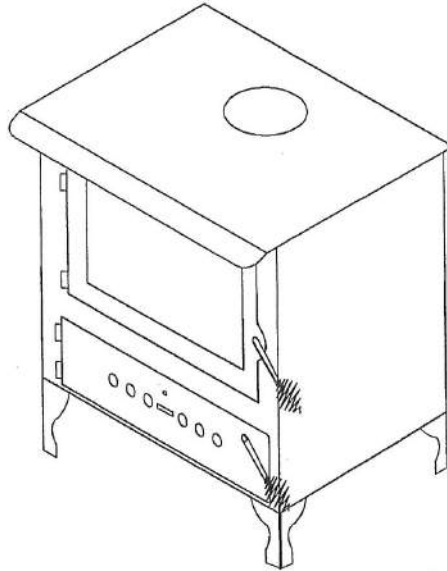


BUCK STOVE MODEL 24

COAL STOVE OWNER'S MANUAL



SAFETY NOTICE

IF THIS HEATER IS NOT PROPERLY INSTALLED, A HOUSE FIRE MAY RESULT. FOR YOUR SAFETY, FOLLOW THE INSTALLATION INSTRUCTIONS. THE AUTHORITY HAVING JURISDICTION (SUCH AS MUNICIPAL BUILDING DEPARTMENT, FIRE DEPARTMENT, FIRE PREVENTION BUREAU, ect.) SHOULD BE CONSULTED BEFORE INSTALLATION TO DETERMINE THE NEED TO OBTAIN A PERMIT. KEEP THESE INSTRUCTIONS FOR FUTURE USE.

TESTED AND LISTED TO UL 1482 BY:



ITS/WARNOCK HERSEY, MIDDLETON, WI

MANUFACTURED BY NEW BUCK CORPORATION

200 ETHAN ALLEN DRIVE

PO BOX 69

SPRUCE PINE, N.C. 28777

www.buckstove.com

REVISED AUGUST 2010

TABLE OF CONTENTS

Introduction	2
Assembly	3
Installation	4-6
Operation	7-9
Clearance to Combustible Wall / Single Wall Pipe.....	10
Clearance to Combustible Wall / Single Wall Pipe (Optional Rear Shield)	11
Methods of Installation.....	12-13
Alternatives for Wall Protection.....	14
New Buck Warranty	15-17

INTRODUCTION

The Keystone Coal Stove is a highly efficient heating unit. Proper installation will ensure years of heating satisfaction. Read the manual carefully. For more information contact your local Buck Stove dealer.

Safety is a vital factor in installing your stove. Without correct installation and operation, a house fire may result. Check local building and fire codes.

Read the complete manual before installation and operation.
Failure to follow instructions may result in property damage,
bodily injury or death

NOTE: When burning any unit or appliance that combust fuel for heat, such as coal, oil, wood or natural and (L.P.) liquid petroleum gas, we highly recommend the use of smoke and carbon monoxide detectors in your home.

ASSEMBLY

1. LEGS, CHIMNEY CONNECTOR AND BOTTOM SHIELD

- A. To install legs on your stove, place the unit at least 12" off the floor using blocks for support. Bolt each leg to the bottom of the unit using four (4) 3/8 - 16 bolts (furnished). After legs are in place, position the unit for use.
- B. For chimney connector installation, secure connector over the flue exit with (2) two "J" hooks. These hooks are furnished with the unit.
- C. If the heater is being installed on a non-combustible surface, a heat shield is required. Center galvanized heat shield underneath the unit. This will position the shield for proper clearance. (See Figure 4).

2. BLOWER AND PIPE SHIELD (OPTIONAL)

- A. Attach optional blower to the back of unit by using the motor bracket provided. Do not route power cord over or under the unit.
- B. Allow 1 1/2" air space between top of stove and pipe shield. Install optional pipe shield by placing piece against top of rear shield. Mark holes and drill two (2) 1/8" holes. Attach pipe shield using the two (2) self tapping screws provided.
- C. Insert shaker handle into opening of tube at the right side of unit.

Note: Buck Stove's Model 24 Coal Stove is painted with a specially formulated high temperature paint that cures during the first two or three firings. You may notice a slight smoking effect and an odor of burning paint when building the first fires. This is normal. Do not be alarmed. In some cases, these fumes will activate a smoke alarm. Slightly open a window to allow fumes to escape. **DO NOT BUILD A LARGE FIRE UNTIL THIS CURING IS COMPLETE. THIS WILL CAUSE HEATER FINISH TO BE DAMAGED.**

INSTALLATION

FLOOR PROTECTION

1. If the floor is constructed of a combustible material it must be placed on a floor protector.
2. Floor protector must be a listed floor protector of 1-1/2" thick or any combination to consist of 3 or more R factor.
3. Remove any carpeting before positioning floor protector.
4. Any horizontal length of 24 gauge steel single wall chimney connector must have floor protection at least 2" in diameter underneath.
5. Floor protector must extend 8" from sides and rear and 16" from door of stove. (See figure 3)

CLEARANCE TO COMBUSTIBLES

1. Clearances shown in Figures 1 and 2 are for your protection.
2. For close clearances see Figure 4.
3. When locating your stove consider safety, convenience and traffic flow.
4. Keep furniture, draperies, curtains, wood, paper and other combustibles away from stove.

WARNING: Never install the stove in locations where gasoline, kerosene, charcoal lighter or any other flammable liquids are used or stored.

NOTE: THIS UNIT IS NOT APPROVED FOR MOBILE HOME USE.

REDUCED WALL CLEARANCES

1. The National Fire Protection Association (NFPA) Standard 211 recognizes eight (8) Wall Protection Systems. The following are two samples we suggest:
 - A. Galvanized steel sheet metal with minimum thickness of 24 gauge.
 - B. 4" nominal thickness brick. (See figure 9).

Either of these materials must be spaced 1" from the wall surface. With sheet metal, non-combustibles are used to maintain the 1" air space. With a brick wall, metal ties are used to anchor the brick to the wall and maintain the 1" air space.

To avoid excessive heat transmission, the spacers or wall ties should not be placed directly behind the heater or chimney connector. The 1" space provides free air circulation. For best insulating results, it is essential that there are openings completely around the system, including the bottom, so that cool air can circulate the 1" air space. The clearance reduction system should extend 13" beyond the heater in height and width. It must extend as high as the thimble penetration of the wall to the chimney to protect the wall behind the vertical run of the chimney connector.

CHIMNEY CONNECTOR

1. Chimney connector must be 6" diameter 24 gauge minimum steel.
2. Do not use aluminum or galvanized steel.
3. Do not use chimney connector pipe as a chimney.
4. Connect stove to a chimney comparable to those illustrated in this manual.
5. Chimney connector sections must be attached to stove and to each other with the crimped end toward the stove. (See Figure 5). This allows creosote to run into the stove and not onto the outside of the pipe.
6. Secure all joints with three sheet metal screws. Without proper security, in the event of a creosote fire, the connector may vibrate apart.
7. For maximum operation, the chimney connector should be as short as possible.
8. Horizontal lengths of chimney connector should have an upward slope of $1/4''$ per foot.
9. Maintain an 18" clearance between the chimney connector and the wall and ceiling unless a wall protection system is installed.

CHIMNEY

This room heater must be connected to:

- (1) A chimney complying with the requirements for Type HT chimneys, Factory-Built Residential Type and Building Heating Appliance; UL 103.
- (2) A code-approved masonry chimney with a flue liner.

Your stove will operate satisfactorily with any listed factory-built chimney or any masonry flue or chimney meeting the NFPA-211 Codes. A round chimney is preferable to a square or rectangular chimney. The ideal chimney will have a cross-sectional area of the flue collar opening of your stove.

Maximum flue collar draft = .06" w.c.

MASONRY CHIMNEY

If stove is connected to a masonry chimney, it should be examined for cracks, loose mortar, blockage or other signs of deterioration. Do not install the stove until the chimney is determined safe for use. (See figure 5.5). An oversized flue contributes to the accumulation of creosote. Check the flue size to determine it is not too large for stove. The flue should be no larger than 8" square or 9" in diameter.

Chimney must be the required height above roof for proper draft operation.

Chimney height requirement:

- At least 3' above the roof
- At least 2' above highest point on roof
- At least 10' away from the highest point (See figure 6).

THIMBLE

Listed prefabricated 2100 degree metal thimbles can be purchased for use. (See figure 8). Installation instructions from the manufacturer must be strictly followed to ensure the safety of the system. Clearances to combustible materials must be maintained. Confirm local building codes for restrictions when connecting stove to masonry thimble through a combustible wall.

CONNECTION TO A METAL PREFABRICATED CHIMNEY

When a metal prefabricated chimney is used, follow the pipe manufacturer's installation instruction exactly. Purchase (from the same manufacturer) and install:

1. Ceiling support package
2. Wall pass through
3. "T" section package
4. Firestops (when needed)
5. Insulation shield
6. Roof flashing
7. Chimney cap

These parts must be listed to 2100 degree UL 103 HT.

Two methods of chimney installation:

1. Install chimney inside residence through roof. (See figure 7).
2. Install exterior chimney outside the residence. (See figure 8).

Components illustrated may not look like system you choose, but this demonstrates basic components needed for a proper and safe installation.

See figure 6 for chimney height. Refer to page 5, "Masonry Chimney" for dimensions.

NOTE: Follow the manufacturer's installation instructions and maintain specified clearance requirements.

**DO NOT CONNECT THIS UNIT TO A CHIMNEY
FLUE SERVING ANOTHER APPLIANCE.**

OPERATION

The Model 24 Coal Stove is designed to burn a variety of coals. Because of its high carbon content and smokeless combustion, anthracite (hard) coal is the preferred fuel. The best size for this unit is chestnut.

Use coal only. Do not use any other fuel.

TO START A FIRE:

1. Open air draft control on ash door to the "Open" position.
2. Open top door and place up to six (6) sheets of crumpled newspaper on top of grate.
3. Place a layer of kindling wood or charcoal on top on newspaper. Allow air space between the pieces of wood or charcoal.

NOTE: Never use gasoline, gasoline type lantern fuel, kerosene, charcoal lighter fluid, or any similar flammable liquid in your stove to start or "freshen up" the fire. Keep all such materials away from the stove during use.

4. Light paper and close top door.
5. When wood/charcoal is burning' to the point that red, glowing charcoal can be seen throughout the firebox, place a layer of coal over the wood/charcoal.

Never add so much fuel to the stove at one time that you cannot see some red glowing coals or charcoal under the coal.

6. Repeat this process until the firebox is filled to the top of the brick retainer in front.
7. Reduce the air control on ash door to your desired comfort zone.

Never leave the top door of the stove open longer than necessary when refueling. This will prevent noxious gases from escaping from the stove.

AIR INTAKE SETTING

Draft controls on ash door should be open less than halfway for the most efficient operation of the stove.

The fully "open" position should only be used when starting a fire or for short periods of time after adding more fuel.

Never leave the ash door open for longer than is necessary to remove the ash pan or to replace it.

MAINTAINING A FIRE

After a fire has been started in your Keystone Coal Stove, it is possible to keep it burning for long periods of time. Simply use a minimum draft setting. Normally, you should remove the ashes and refuel twice a day. As the ash builds up, it is necessary to periodically remove it to make room for more fuel and to allow an unrestricted flow of air through the fuel bed. After removing the ashes, replenish coal to level of brick retainers in front.

ASH REMOVAL (SHAKING)

Insert shaker handle rod through bar which protrudes from side of stove through restraint channel. Move handle front and back, keeping end in restraint channel to prevent moving grate system too far and accidentally dumping fire. Ash will fall into ash pan underneath the grates. Keep all 12" layer of ash on top of grates. It is best to remove and empty ash pan each time you "shake".

Through extensive ash removal, a piece of unburned coal may lodge between two grates and prevent movement. If this occurs, do not try to force the handle. Damage to grates may result. Lift handle clear of restraint channel and gently jiggle it loose. If this does not work, allow the stove to burn normally for an hour or two and unburned coal will burn itself out.

If you still have no success, lift the handle clear of restraint channel and move the handle front and back, dumping a portion of the ash and fire into the ash pan. Use this procedure if you want to empty all of ash and coal from the unit.

ASH DISPOSAL

1. Place ashes in a metal container with a tight fitting lid.
2. Place the closed container in a non-combustible area.
3. Retain ashes in closed container until all cinders have thoroughly cooled before final disposal.

OVERFIRING

Do not over fire. Flammable liquids, wood or trash in stove may cause over firing. If the chimney connector or stove glows red, stove is over fired. If this occurs, close stove damper and door. This will reduce air supply to fire.

A chimney fire may cause structural damage to chimney. Do not use stove until chimney and chimney connector have been thoroughly inspected and damaged parts have been replaced. A chimney sweep can perform the inspection.

CREOSOTE AND SOOT

The Model 24 Keystone Coal Stove has been designed specifically to burn coal. This conforms to United States Governmental Protection Agency regulations for coal stoves. Wood should not be used in your stove except as kindling to start the coal fire. When coal is burned, products of combustion combine with moisture to form soot residue. This residue accumulates on flue lining. When ignited, this soot creates an extremely hot fire. Your chimney and chimney connector should be inspected once every two months. Any build-up of soot should be removed to prevent the risk of a chimney fire.

CLEARANCE TO COMBUSTIBLE WALL SINGLE WALL PIPE

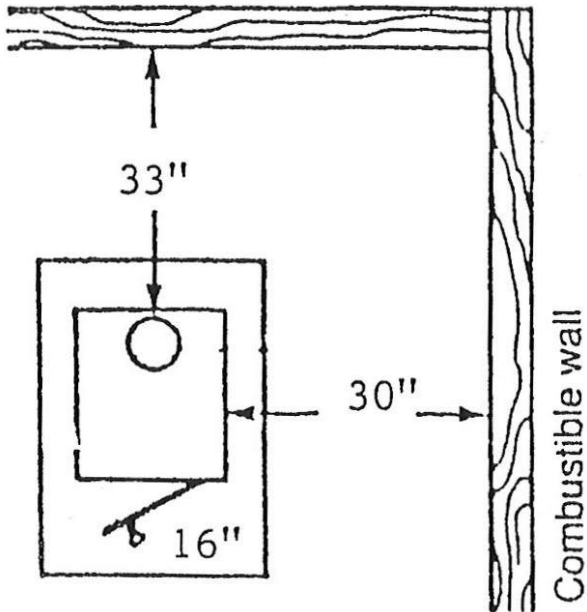


FIGURE 1

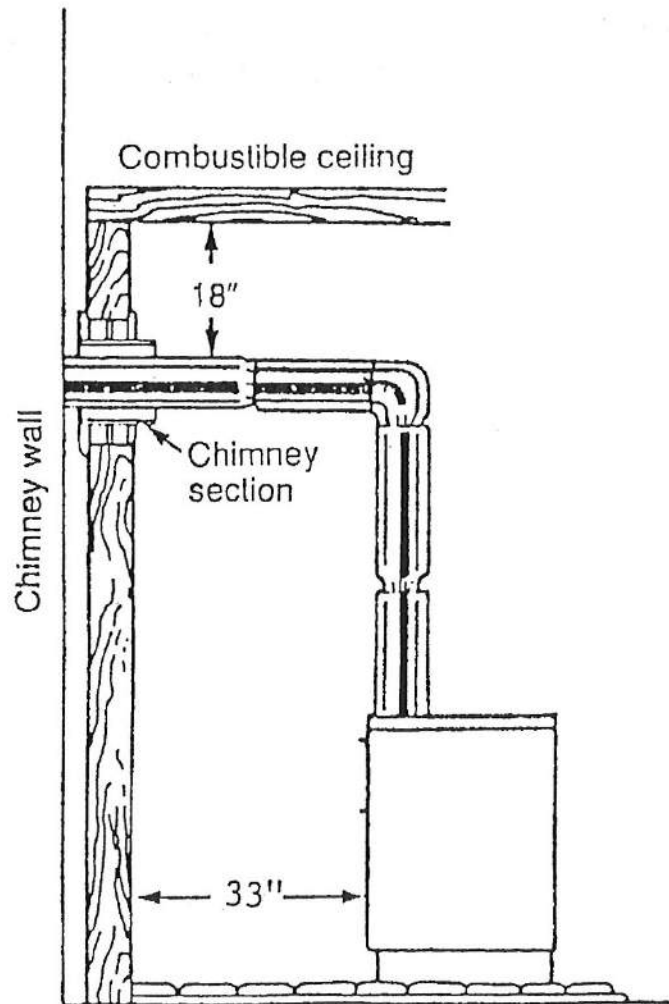


FIGURE 2

CLEARANCE TO COMBUSTIBLE WALL SINGLE WALL PIPE (With Optional Rear Shield)

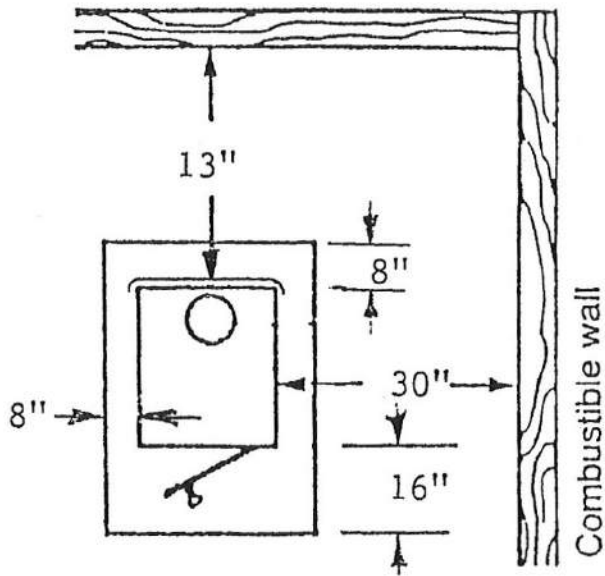


FIGURE 3

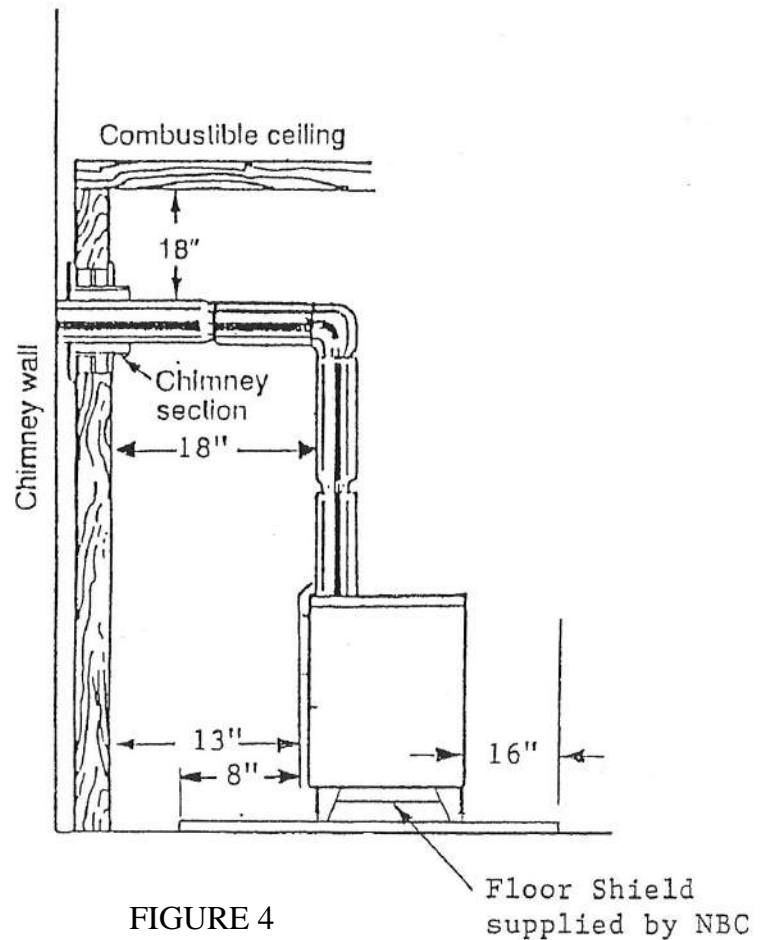


FIGURE 4

METHODS OF INSTALLATION

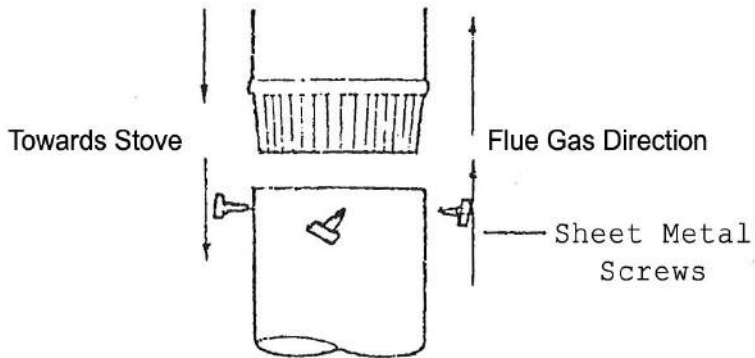


FIGURE 5

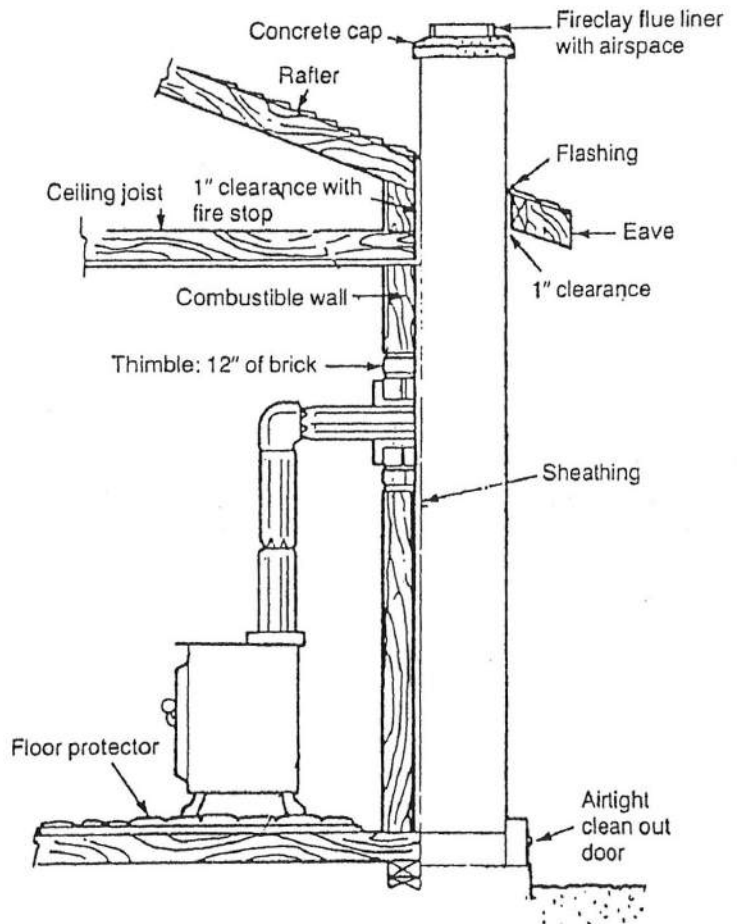
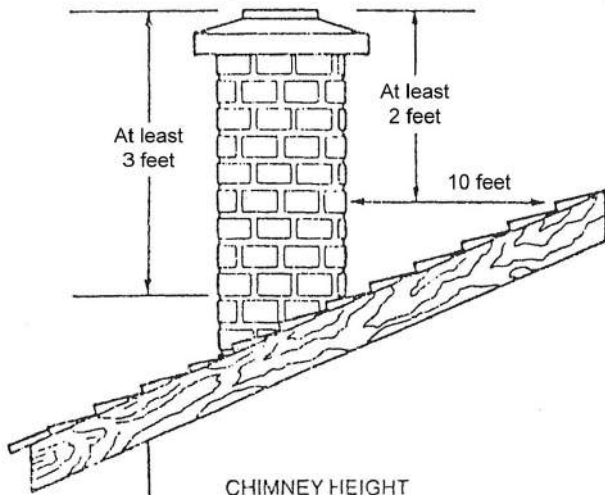


FIGURE 5.5



CHIMNEY HEIGHT
FIGURE 6

METHODS OF INSTALLATION

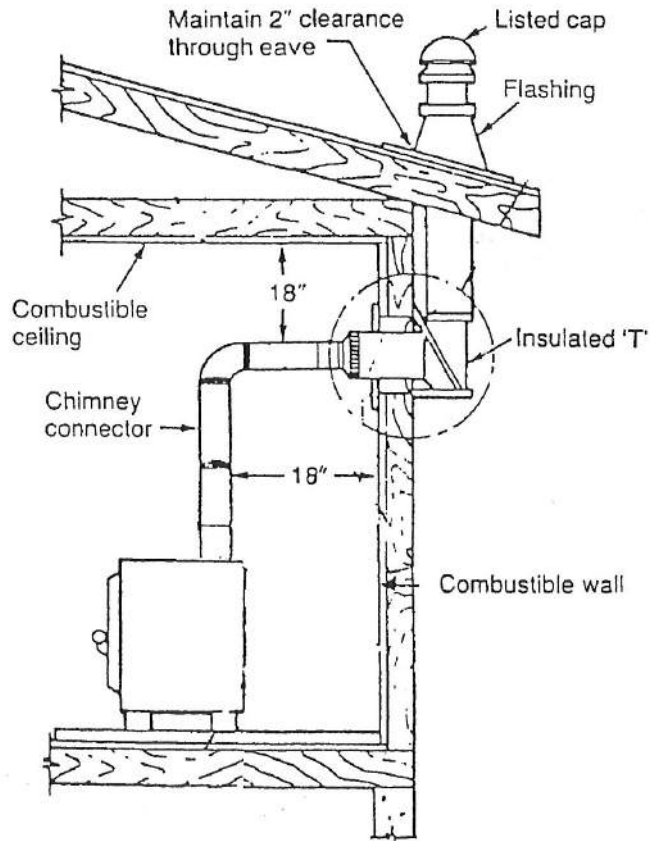


FIGURE 7

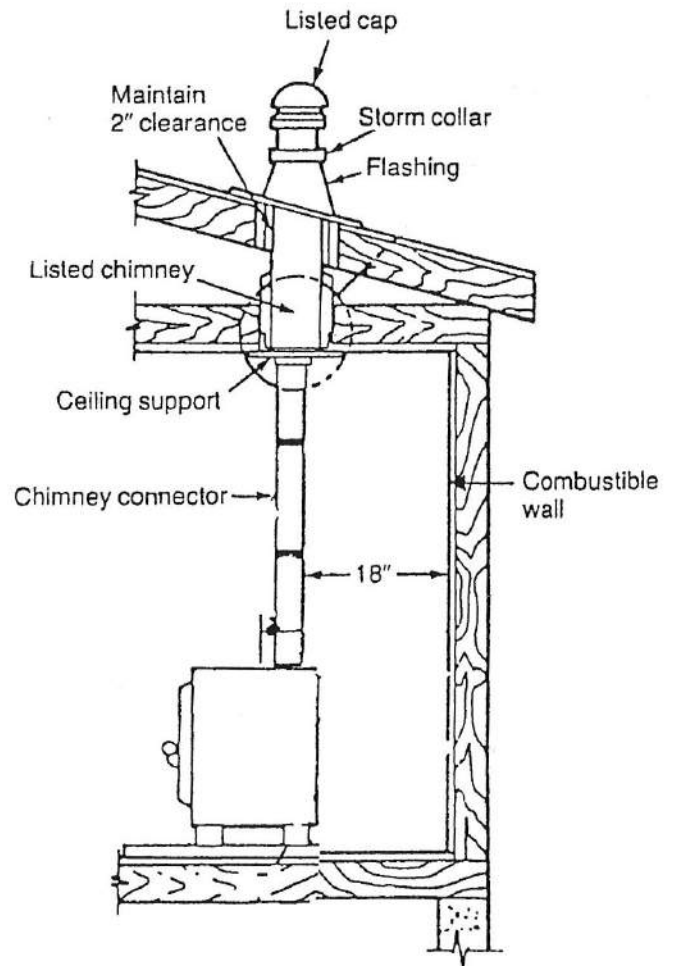


FIGURE 8

ALTERNATIVES FOR WALL PROTECTION

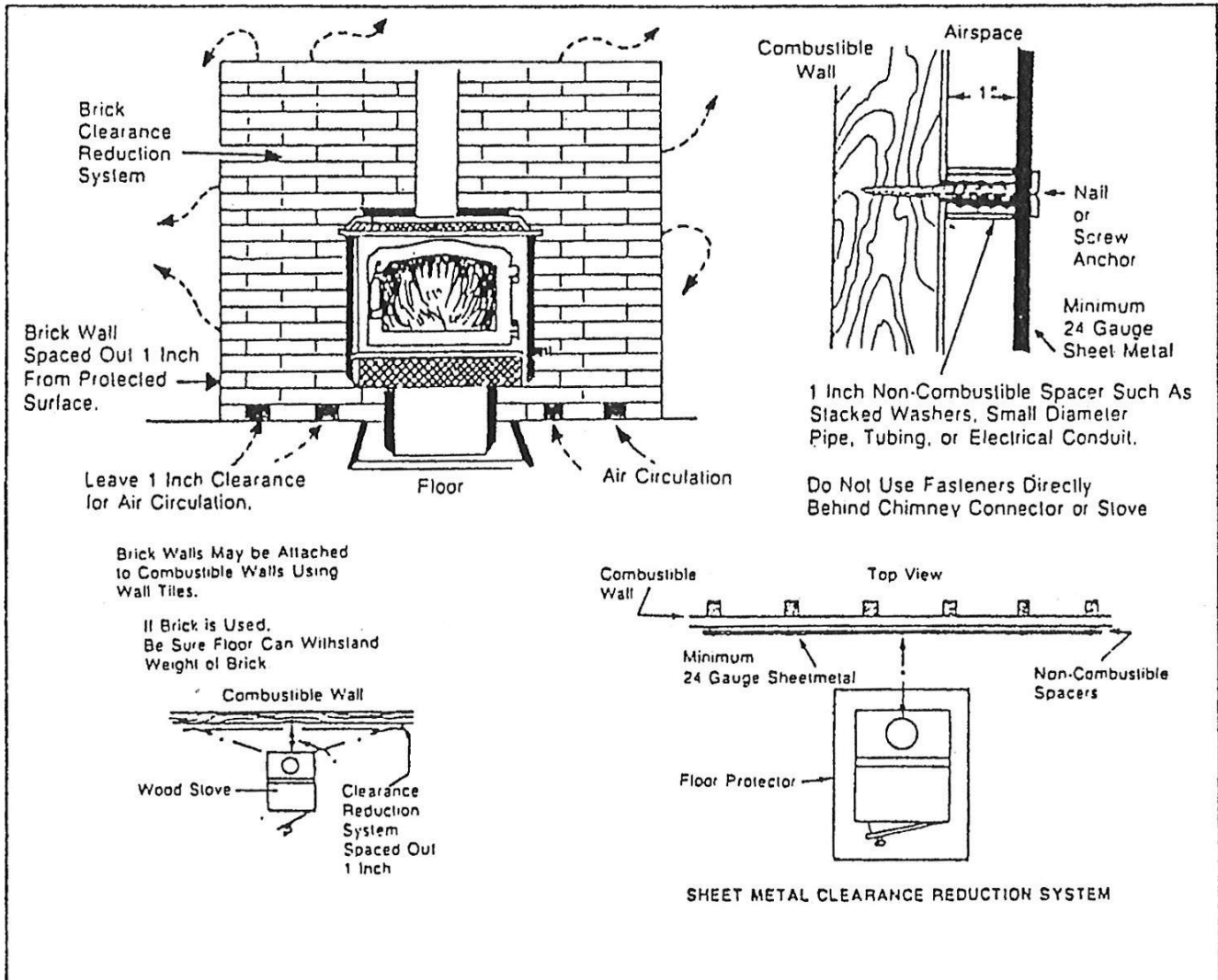


FIGURE 9

NEW BUCK CORPORATION (NBC) LIMITED WARRANTY KEYSTONE COAL STOVE

PLEASE READ THIS WARRANTY CAREFULLY

PRODUCTS COVERED

This warranty covers the New Buck Stove heating unit, so long as it is owned by the original purchaser, including optional and standard accessories purchased at the same time, subject to terms, limitations, and conditions herein set out.

PRODUCTS NOT COVERED

This warranty does not cover the following:
Glass, Refractory Material, Firebrick or Gaskets.

This warranty will also not cover any damage and/or failure caused by abuse or improper installation of the products covered.

WARRANTY TIME PERIODS

(A)Period 1

For one year from the date of purchase, NBC will replace or repair, at its option, any part defective in materials or workmanship. The cost of parts only are included. The customer pays any labor or transportation charges required.

THEREAFTER;

(B)Period 2

For the period after the first year from the date of purchase and extending for 5 years as long as the Buck Stove is owned by the original purchaser, NBC will repair or replace, at its option, any part defective in materials or workmanship, with the exception of : electrical motors, wiring, switches, components, optional and standard accessories; and all parts not permanently attached to the heating units. Parts not permanently attached to the heating unit are defined as those items designed to be removed from the stove, including those removable with common hand tools. The costs of parts only are included. This customer pays any labor or transportation charges required.

PROCEDURE

Should you feel that your Buck Stove is defective, you should contact any Buck Stove dealer for the name of your nearest authorized Buck Stove service representative, who will instruct you on the proper procedure, depending on which Warranty Time Period (Period 1 or Period 2) applies. If for any reason you are dissatisfied with the suggested procedures, you may contact us in writing at:

**New Buck Corporation
P. O. Box 69
Spruce Pine, NC 28777
Email: info@buckstove.com**

CONDITIONS AND EXCLUSIONS

- (A) Replacement of parts may be in the form of new or fully reconditioned parts, at NBC's option.
- (B) There is no other express warranty. All implied warranties or merchantability and fitness for use are limited to the duration of the Express Warranty.
- (C) New Buck Corporation is not liable for indirect, incidental, or consequential damages in connection with the use of the product including any cost or expense of providing substitute equipment or service during periods of malfunction or non-use. Some states do not allow the exclusion of incidental or consequential damages, so the above exclusion may not apply to you.
- (D) All warranty repairs under this warranty must be performed by an authorized Buck Stove service representative. Repairs or attempted repairs by anyone other than an authorized service representative are not covered under this warranty. In addition, these unauthorized repairs may result in additional malfunctions, which is not covered by the warranty.

OTHER RIGHTS

This warranty gives you specific legal rights and you may also have other rights which vary from state to state.

OWNER REGISTRATION CARD

The attached owner registration card must be completed in its entirety and mailed within 30 days from the date of installation in order for warranty coverage to begin to:

New Buck Corporation
P. O. Box 69
Spruce Pine, NC 28777
Email: info@buckstove.com

PLEASE NOTE: The Owner Registration Card must contain the Authorized Buck Stove Dealer Number and the Certified Installer's number (if applicable) for warranty coverage to begin.

NAME _____

ADDRESS _____

CITY _____ S T A T E _____ ZIP _____

MODEL # _____

SERIAL # _____ DATE OF INSTALLATION _____

INSTALLER'S NAME _____