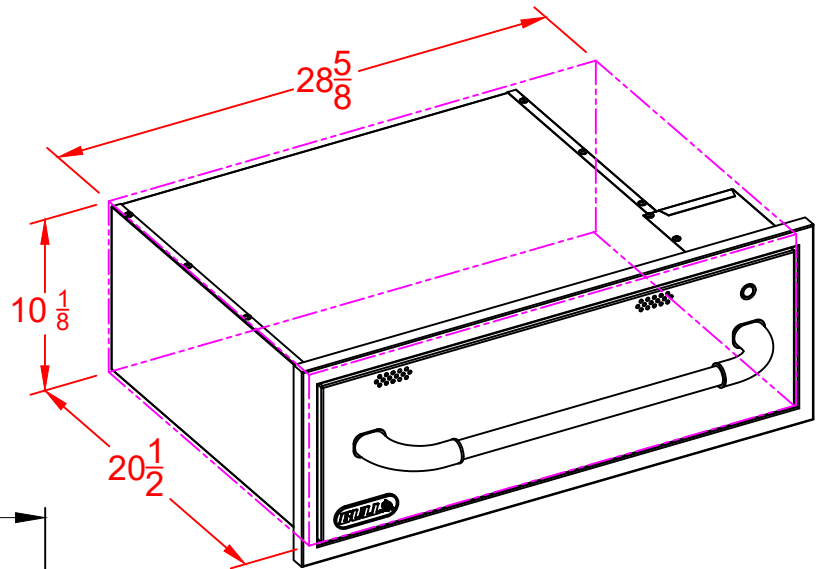


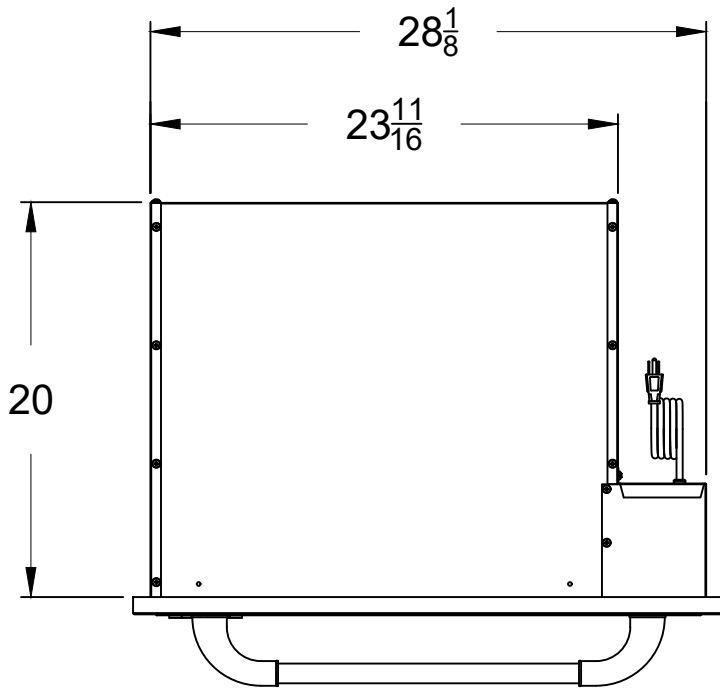


WWW.BULLBBQ.COM

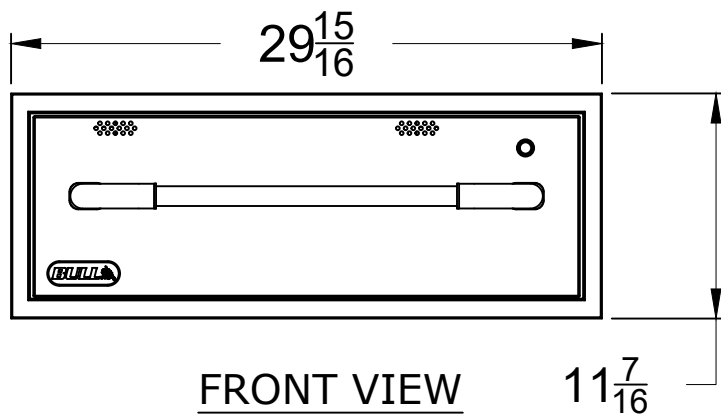
WARMING DRAWER
SPEC SHEET
ITEM # 85747



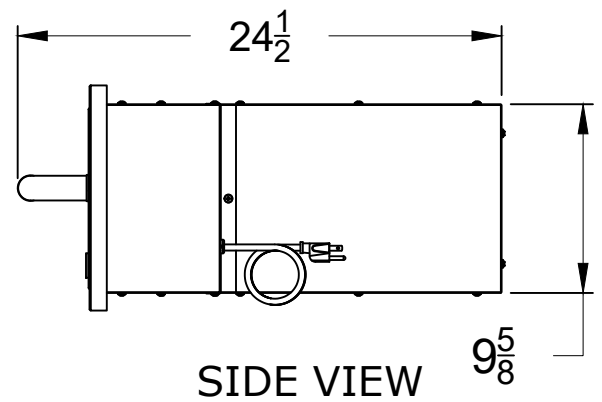
PERSPECTIVE VIEW
WITH INSTALLATION
CUT OUT DIMENSIONS



TOP VIEW



FRONT VIEW



SIDE VIEW

NOTES:

- 1) ALL DIMENSIONS ARE IN INCH UNITS
- 2) REFER TO PERSPECTIVE VIEW FOR INSTALLATION CUTOUT DIMENSIONS.