

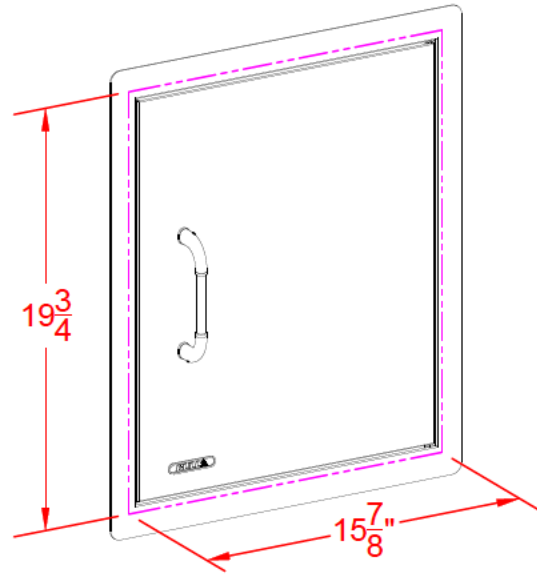


[WWW.BULLBBQ.COM](http://WWW.BULLBBQ.COM)

**SPEC SHEET**

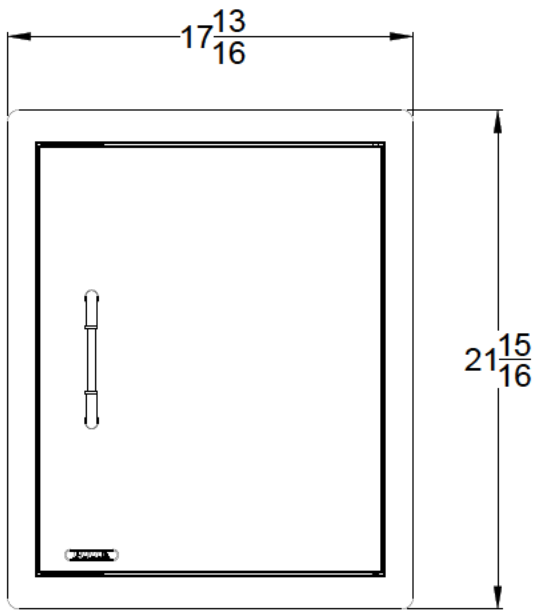
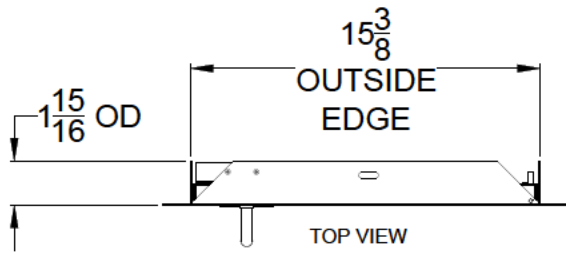
**ITEM # 89975**

**VERTICAL SINGLE DOOR  
RIGHT HINGE**

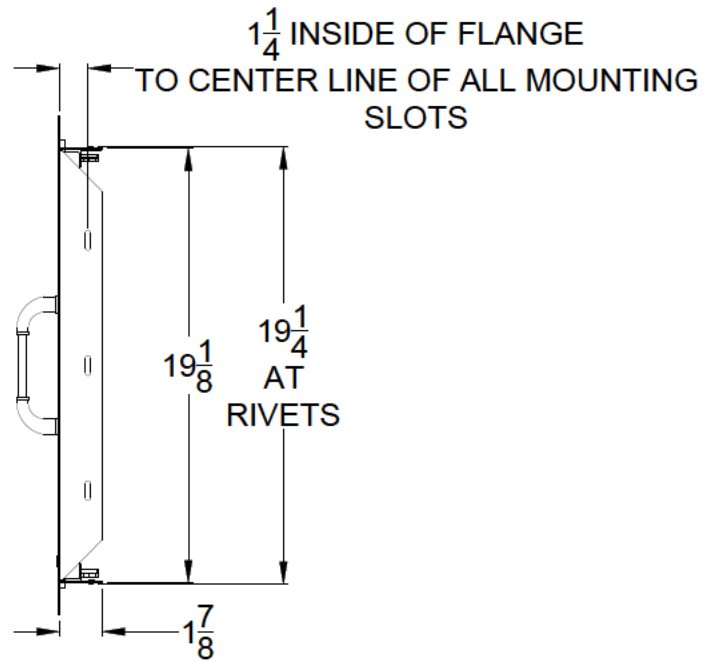


**PERSPECTIVE VIEW**

**WITH INSTALLATION  
CUT OUT DIMENSIONS**



FRONT VIEW



RIGHT SIDE VIEW

**NOTES:**

- 1) ALL DIMENSIONS ARE IN INCH UNITS
- 2) REFER TO PERSPECTIVE VIEW FOR INSTALLATION CUTOUT DIMENSIONS.