



STANDARD FEATURES

- ◆ Available in 35", 40" and 45" models

- ◆ Mid-size 17" depth saves installed floor space

- ◆ Combo top/rear flue configuration

- ◆ Millivolt or Electronic ignition with seamless battery backup provides continued operation in the event of a power outage (IPI/CPI switch standard).

- ◆ Outstanding heating efficiency for increased comfort and lower operating costs

- ◆ Standard tempered glass and a protective screen*

- ◆ Beautifully crafted high-definition ceramic fiber log set with heavy-duty grate

- ◆ Face selections include a Classic inside fit façade or one of several Designer overlap fit façades (required)

- ◆ Black painted interior (optional liners available)

- ◆ Wireless wall mounted control provides variable flame settings (electronic models only)

- ◆ Optional blower and touch remote or hand-held remote control available for all models

- ◆ Durable textured powder coat finish

- ◆ Limited lifetime warranty

*All applicable models comply with ANSI Z21.88 barrier requirements.

FACADES (One Required)



CLASSIC — Black



ARTISAN — Charcoal/Aged Iron



REFLECTION — Black



REFLECTION — Warm Chestnut



CRAFTSMAN — Black



CRAFTSMAN — Warm Chestnut

LINERS



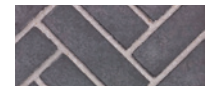
Black Painted (Standard)



Black Reflective



Black Tie Stacked



Black Tie Herringbone



Heritage Brown Stacked



Heritage Brown Herringbone



Wireless Wall-Mounted Control
(Standard with Electronic Ignition Models)



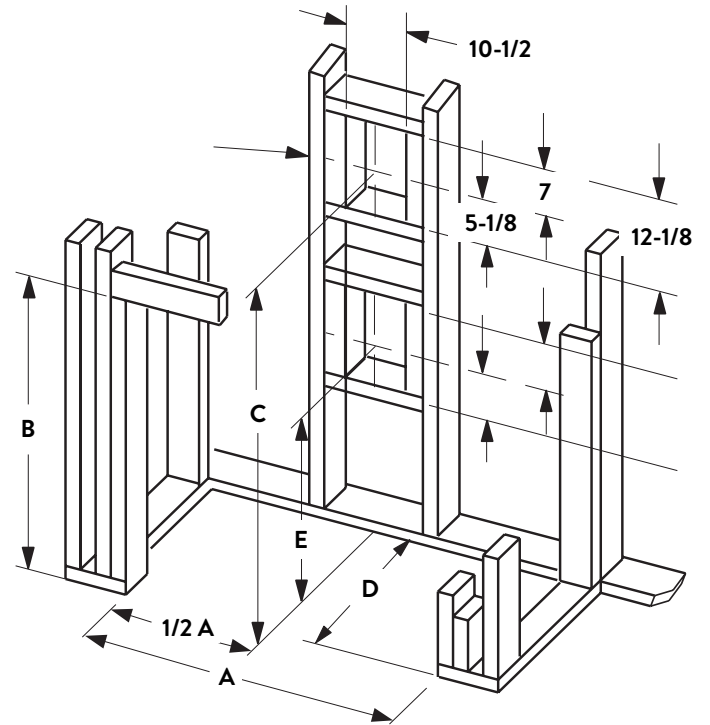
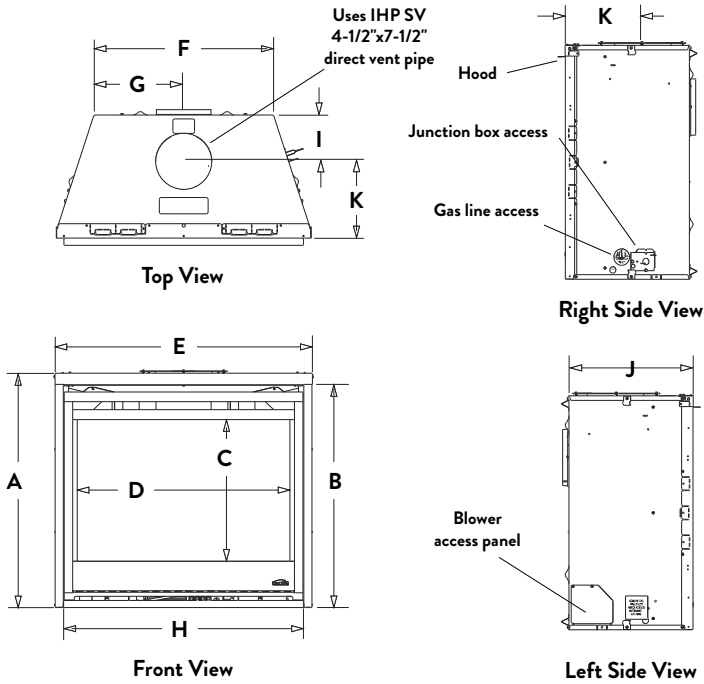
Multi-Function Touch Remote
(Optional)



Hand-Held On/Off High/Low Remote Control
(Optional)

APPLIANCE SPECIFICATIONS

FLAT WALL FRAMING SPECIFICATIONS



	GEMINI 35" MODELS	GEMINI 40" MODELS	GEMINI 45" MODELS
A	32-1/8"	37-1/8"	37-1/8"
B	30-1/2"	35-1/2"	35-1/2"
C	19-1/2"	24-1/2"	24-1/2"
D	29-1/4"	34-1/4"	39-1/4"
E	35-1/4"	40-1/4"	45-1/4"
F	25"	30"	35"
G	12-1/2"	15"	17-1/2"
H	32-7/8"	37-7/8"	42-7/8"
I	6-7/8"	6-7/8"	6-7/8"
J	17"	17"	17"
K	10-1/8"	10-1/8"	10-1/8"

	GEMINI 35" MODELS	GEMINI 40" MODELS	GEMINI 45" MODELS
A	35-7/8"	40-7/8"	45-7/8"
B	36-1/4"*	41-1/4"*	41-1/4"*
C	38-3/4"	43-3/4"	43-3/4"
D	18-1/2"	18-1/2"	18-1/2"
E	23-3/8"	28-1/4"	28-1/4"

* Includes 4" for fold-up standoffs

FIREPLACE EFFICIENCIES – Listed to ANSI Z21.88 as a gas fireplace heater.

MODEL	FUEL	BTU/HR	AFUE**	P4 / ENERGIDE*
GEMINI 35	NG	20,000-14,000	68.7%	63.2%
GEMINI 35	LP	17,000-11,000	68.3%	64.0%
GEMINI 40	NG	24,000-18,000	70.0%	64.9%
GEMINI 40	LP	24,000-18,000	72.2%	63.3%
GEMINI 45	NG	28,000-20,000	70.8%	63.6%
GEMINI 45	LP	27,000-20,000	74.4%	62.6%

*Intermittent ignition systems.

**Annual Fuel Utilization Efficiency (AFUE) is the recognized U.S. rating system for the total efficiency of heating products.

FRONT COVER

Gemini 40 with Black Porcelain Liner and Reflection Warm Chestnut Facade

astria
FIREPLACES®

© 2021 Innovative Hearth Products
785770M 11/21

Visit us online
Astria.us.com

IMPORTANT NOTES:

As with any fireplace, this appliance is extremely hot during operation. Read and understand all operating instructions before using this appliance. For further information, consult your dealer.

Local conditions, such as elevation, wind, vent configuration and choice of fuel will affect overall appearance of the fire and heating performance. Performance can also vary with home design and insulation, climate, condition and type of fuel used, appliance location, burn rate, accessories chosen, chimney installation and how the appliance is operated.

Diagrams, illustrations and photographs are not to scale—consult installation instructions. Product designs, materials, dimensions, specifications, colors and prices are subject to change or discontinuance without notice.

PFS
C US
Report #F13-094

