

Abbott Direct Vent Fireplace



SIERRA FLAME SERIES

SIERRA FLAME

Gas Fireplaces 2020



GAS MODELS

DIRECT VENT INSERT



Abbot 30IN gas fireplace with logs



Abbot 30IN gas fireplace with Rock and glass media and Design Specialties Laurel overlay in Natural Iron



Newcomb gas fireplace

THE ABBOT 30IN SPECIFICATIONS

The Abbot 30IN

Premiere System

- True clean face design • Ceramic glass • 26,000 BTU • Hi/low modulating flame control • Electronic ignition • 100% safety shut off • On/off thermostat • Battery powered

Deluxe System

- True clean face design • Ceramic glass • 26,000 BTU • 7 day programmable thermostat remote control • 7 stage modulating flame control • Full fan kit w/6 stage adjustable fan control • 110v required • Electronic ignition • 100% safety shut off

Glass Viewing Area:

16" H x 25" W

Optional Accessories:

- Chimney cap
- Extra decorative rock media - 3 piece set

Surround Options:

- Standard black surround
- 4 sided black surround
- Child safety screen

Fuel Options: NG or LP



LOG DIRECT VENT INSERT with Design Specialties Diamond overlay in Silver

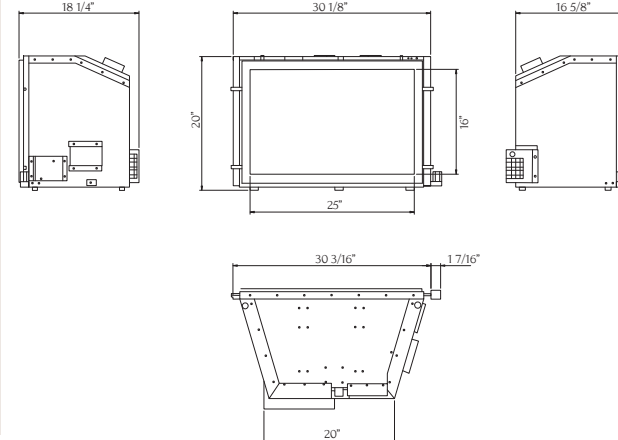


GLASS DIRECT VENT INSERT with Design Specialties Laurel overlay in Rustic Copper

You will be impressed with the large glass viewing area. The Abbot is available in Deluxe and Premiere systems that offer you superior flame and heat control. Each unit comes with the standard black porcelain panels, black reflective glass and a 9 piece rock set. For a more traditional look try the optional ceramic brick panels and log set. Comes standard to run on natural gas but also available for liquid propane use.

IDEAL APPLICATIONS:

- Renovations, but has to have an existing masonry fireplace



THE NEWCOMB 36DV SPECIFICATIONS

The Newcomb 36DV

Standard System

- True clean face design • Tempered glass • Black porcelain panels • 21,000 BTU • 100% Safety shut off • Top vent only • Electronic ignition • Remote control (basic) • Black reflective fire glass & 3 piece decorative rock set

Deluxe System

- True clean face design • Tempered glass • Black porcelain panels • 21,000 BTU • 100% Safety shut off • Top vent only • Fan kit • Modulating valve • Electronic ignition • Remote control (basic) • Deluxe digital remote control • Black reflective fire glass & 3 piece decorative rock set

Glass Viewing Area:

15" H x 32-1/2" W

Optional Accessories:

- Termination kit
- Extra decorative rock media - 3 piece set

Surround Options:

- Clean face surround
- Stainless steel surround
- Basic black surround with screen
- Decorative black surround with screen

Fuel Options: NG or LP

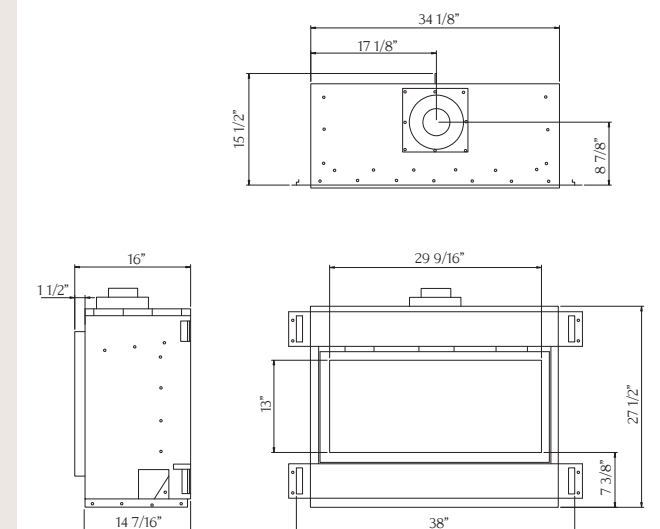
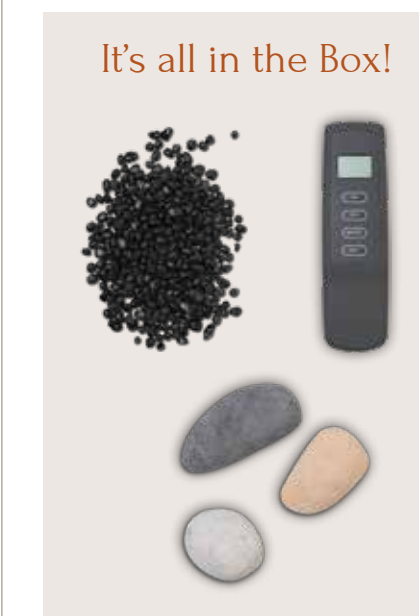


NEWCOMB CONTEMPORARY DV LINEAR

With the contemporary styled Newcomb gas fireplace you can make that first impression a good one! Imagine cozying up with this unit!

IDEAL APPLICATIONS:

- New builds & Renovations
- Commercial Spaces
- Restaurants
- Condominiums



SEE-THRU DIRECT VENT LINEAR



Palisade 36ST gas fireplace

DELUXE DIRECT VENT LINEARS



Austin gas fireplace with Clean Face surround

THE PALISADE 36ST SPECIFICATIONS

The Palisade 36ST

Standard System

- True clean face design • 2 safety screens • 20,000 BTU • Electronic ignition • Tempered glass • 100% safety shut off • Side vent only • Black porcelain panels • Remote control (Basic) • Black reflective fire glass and rock set

Deluxe System

- True clean face design • 2 safety screens • 20,000 BTU • Electronic ignition • Tempered glass • 100% safety shut off • Side vent only • Black porcelain panels • Deluxe digital remote control • Fan kit • Modulating valve • Black reflective fire glass and rock set

Glass Viewing Area:

15" H x 32-1/2" W

Optional Accessories:

- Termination kit
- Extra decorative rock media - 3 piece set

Surround Options:

- Black surround without access panel
- Black surround with access panel
- Child safety screen (2 per box)

Fuel Options: NG or LP



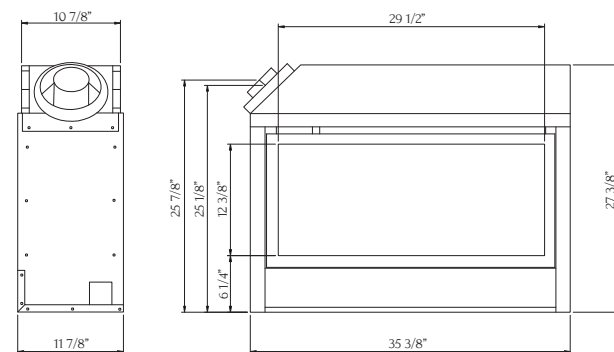
PALISADE SEE-THRU DV LINEAR

The Palisade see-thru direct vent unit is a perfect choice for today's contemporary floor plans, allowing you a great view of your fireplace from more than one room. The finishing material can also be built right up to the glass. Not only is the Palisade smart but sexy as well with it's curved front face design.

IDEAL APPLICATIONS:

- New builds & Renovations
- Commercial Spaces
- Restaurants
- Condominiums

It's all in the Box!



The Austin 65L

Deluxe System

- Borosilicate glass • Flush mount design • 38,000 BTU (Austin)
- Electronic Ignition • 7 day programmable thermostat deluxe remote • 7 stage modulating valve (flame control)
- Linear style burner • 100% Safety shut off • NG or LP • Top vent only • Black Porcelain panels • Deluxe digital remote control • Dual Fan kit with 6 stage adjustable control • Black reflective fire glass media & 9 piece decorative rock media set • Dual stainless steel pan burner

Glass Viewing Area:

18-1/2" H x 62-3/4" W

Accessories:

- Termination kit
- Extra decorative rock media - 3 piece set
- Liquid propane conversion kit
- Hard pipe vent
- Flex vent to hard pipe adaptor

Surround Options:

- Clean face surround
- Basic black surround with safety barrier

Fuel Options: NG or LP

THE AUSTIN 65L SPECIFICATIONS



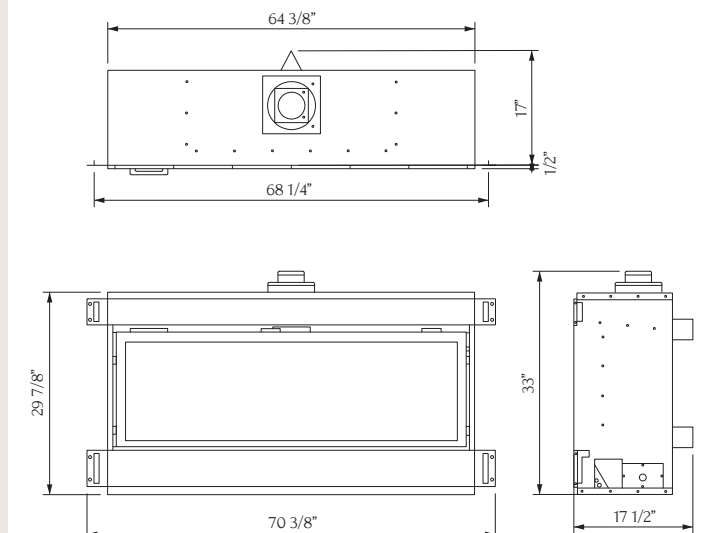
AUSTIN 65L DELUXE DIRECT VENT LINEAR

Just like it's little brother, the Stanford, the new Austin features a sleek contemporary linear look. At 65" it now features our largest viewing area with our signature large flame presentation. The Austin comes standard with our Deluxe system including 7 day programmable thermostat remote, 6 stage dual fan control and modulating valve so you can control the flame. This unit is available in gas and liquid propane (LP by special order). Contemporary black porcelain panels, black reflective glass and 9 piece rock set all come standard with this stunning gas fireplace. A surround with safety barrier is mandatory.

IDEAL APPLICATIONS:

- New builds & Renovations
- Commercial Spaces
- Restaurants
- Condominiums

It's all in the Box!





Stanford 55L gas fireplace



Bennett gas fireplace with Clean Face surround

THE STANFORD 55L SPECIFICATIONS

The Stanford 55L

Deluxe System

- Ceramic glass • Flush mount design
- 36,000 BTU (Stanford) • Electronic Ignition • 7 day programmable thermostat deluxe remote • 7 stage modulating valve (flame control) • Linear style burner • 100% Safety shut off • NG or LP • Top vent only
- Black Porcelain panels • Deluxe digital remote control • Dual Fan kit with 6 stage adjustable control • Black reflective fire glass media & 9 piece decorative rock media set • Dual stainless steel pan burner

Glass Viewing Area:
18-1/2" H x 52-3/4" W

Accessories:

- Termination kit
- Extra decorative rock media - 3 piece set
- Liquid propane conversion kit
- Hard pipe vent
- Flex vent to hard pipe adaptor

Surround Options:

- Clean face surround
- Basic black surround with safety barrier
- Decorative black surround with safety barrier
- Decorative stainless steel surround with safety barrier

Fuel Options: NG or LP

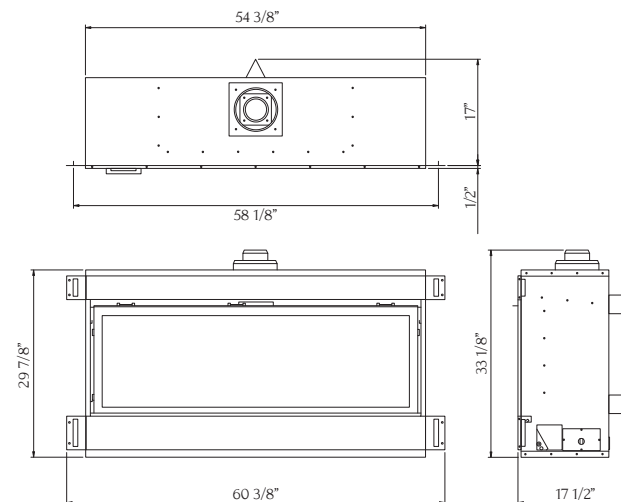


STANFORD 55L DELUXE DIRECT VENT LINEAR

This baby must work out! Who could resist this fireplace with it's long, lean design. The contemporary styled Stanford offers up our largest flame viewing area at an impressive 55" wide. More flame – more game!

IDEAL APPLICATIONS:

- New builds & Renovations
- Restaurants
- Commercial Spaces
- Condominiums



THE BENNETT 45L SPECIFICATIONS

The Bennett 45L

Deluxe System

- Ceramic glass • Black porcelain panels
- Flush mount design • Black reflective fire glass media & 9 piece decorative rock media set • 30,000 BTU (Bennett) • 7 stage modulating valve (flame control) • Linear style burner • Electronic ignition • 7 day programmable thermostat deluxe remote • 100% Safety shut off • NG or LP • Top vent only • Deluxe digital remote control • Dual fan kit with 6 stage adjustable control • Dual stainless steel pan burner

Glass Viewing Area:
16-1/2" H x 42" W

Accessories:

- Termination kit
- Extra decorative rock media - 3 piece set
- Liquid propane conversion kit
- Hard pipe vent
- Flex vent to hard pipe adaptor

Surround Options:

- Clean face black surround with safety barrier
- Basic trim & safety barrier
- Decorative black surround with safety barrier
- Decorative stainless steel surround with safety barrier

Fuel Options: NG or LP

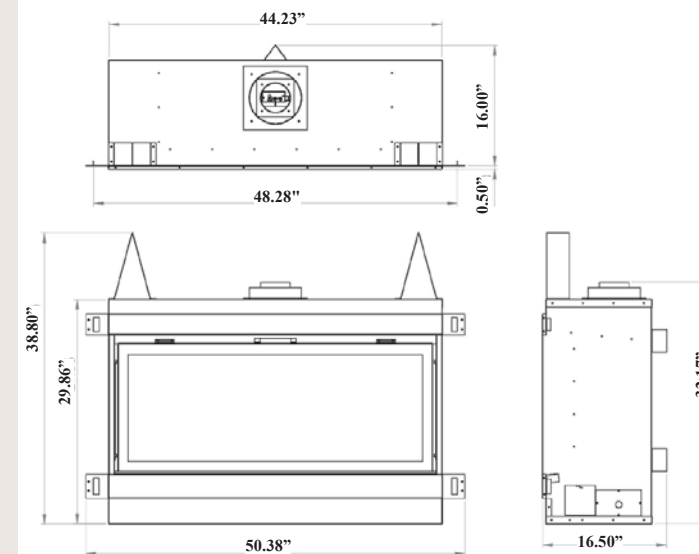


BENNETT 45L DELUXE DIRECT VENT LINEAR

The Bennett 45L offers you a choice of black metal surround with safety barrier

IDEAL APPLICATIONS:

- New builds & Renovations
- Restaurants
- Commercial Spaces
- Condominiums



'BUILDERS' DIRECT VENT LINEAR



Langley 36L gas fireplace with black surround



Thompson gas fireplace with decorative 3-piece shroud and black fire glass

THE LANGLEY 36L SPECIFICATIONS

The Langley 36L
'Builders' Linear Gas Fireplace

Standard System

- Borosilicate black glass kit
- Shallow depth design
- Linear style burner
- 8-3/4" deep for framing
- 15,500 BTU
- Non-combustible board
- 45 degree vent off the back of unit
- Basic remote control with receiver
- Standing pilot
- Basic remote control
- Electronic ignition
- Basic trim & safety barrier (Required)
- Termination kit (Required)
- 3" & 6" Venting

Deluxe System

- True clean face design
- 15,500 BTU
- Electronic ignition
- Borosilicate glass
- 45 degree vent off the back of the unit
- Black reflective fire glass media
- Deluxe digital remote control
- Fan kit
- Modulating valve

Glass Viewing Area:
12" H x 29-1/2" W

- Optional Accessories:
- Extra decorative rock media - 3 piece set

Fuel Options: NG

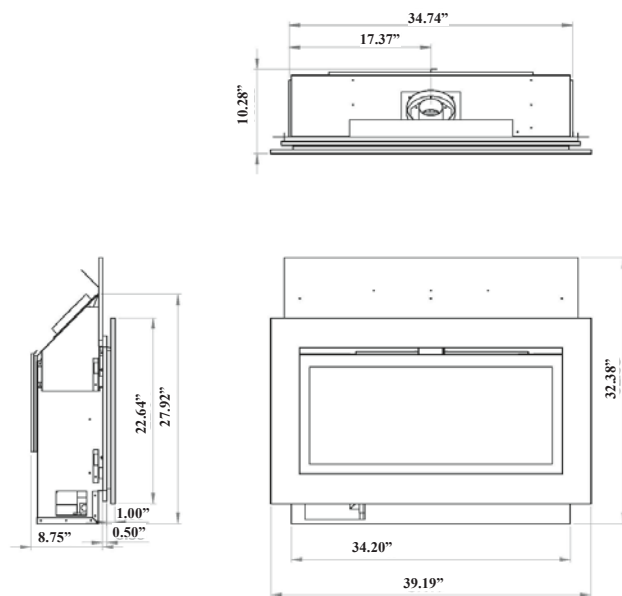


LANGLEY 'BUILDERS' DIRECT VENT LINEAR

The Langley is a true linear gas fireplace available at builder pricing. This unit might be shallow but this unit gives you all the advantages and beauty of our linear electric fireplaces. At only 8 3/4" deep the Langley is one of the shallowest linear units on the market. Excellent choice for new home construction and renovations. Featuring Borosilicate glass that will not shatter and can tolerate the heat produced from the stainless steel burner.

IDEAL APPLICATIONS:

- New builds & Renovations
- Commercial Spaces
- Restaurants
- Condominiums



THE THOMPSON SPECIFICATIONS

The Thompson

- Black trim & safety barrier (both attached to unit)
- 26,000 BTU · Electronic ignition
- Borosilicate glass
- 100% Safety shut off
- Top vent only
- Black Porcelain panels
- 4 piece log set
- Deluxe digital remote control
- Fan kit
- Modulating valve

Glass Viewing Area:
16-1/2" H x 29" W

Optional Accessories:

- Termination kit
- Liquid propane conversion kit
- Natural gas conversion kit

Fuel Options: NG or LP



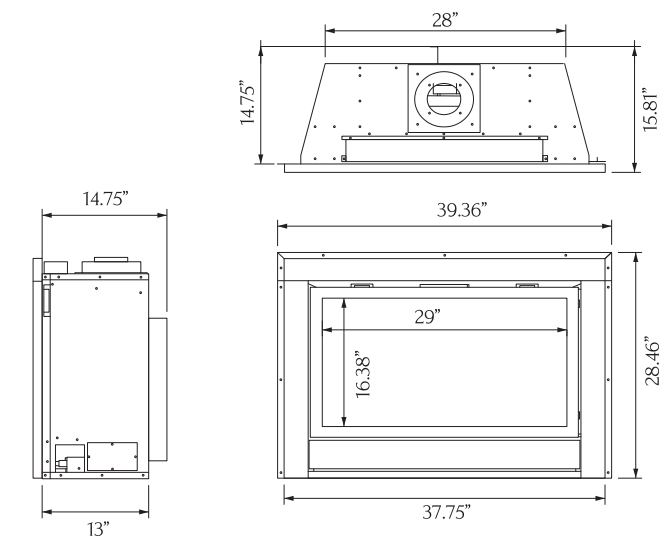
THOMPSON

Big things come in small packages.

A direct vent fireplace that can really put out the heat - at 36" x 15" it is a compact fireplace that has an output of 26,000 BTU's. Available in deluxe models only and in natural gas and propane.

IDEAL APPLICATIONS:

- New builds & Renovations
- Commercial Spaces
- Restaurants
- Condominiums



OUTDOOR VENT-FREE
LINEAR



Tahoe 45OL outdoor linear gas fireplace with stainless steel frame

Emerson 48ST



THE TAHOE 45OL SPECIFICATIONS

The Tahoe 45OL
All stainless steel unit.

The Tahoe can be built-in to highlight the 3" trim or install with finishing material right up to the glass viewing area.

- 6" glass shield
- 40,500 BTU
- Stainless steel cover
- Kill switch for cover
- Electronic ignition - battery powered
- Remote control
- Stainless steel pan burner - criss cross pattern
- Wood framing is allowed
- 9 piece decorative rock media set
- Black reflective fire glass media

Glass Viewing Area:
14-1/2" H x 39" W

Fuel Options: NG or LP



OUTDOOR VENT-FREE LINEAR

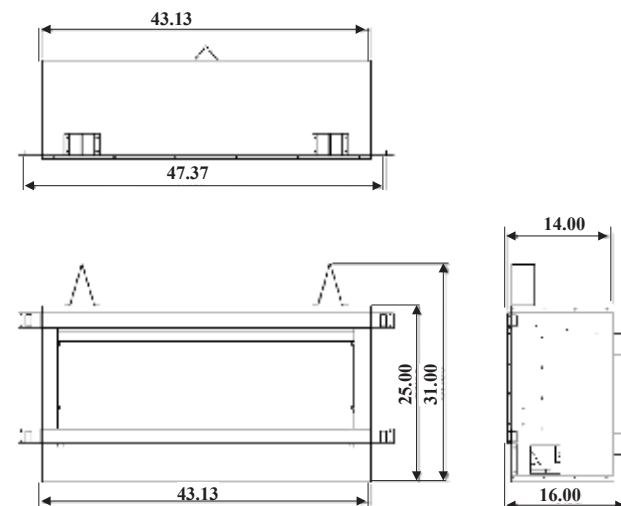
The Tahoe 45OL outdoor linear gas fireplace has been built tough to weather whatever the elements can throw at it. This unit allows wood framing and can be installed without a surround, finishing material installed right up to the glass for a simplified modern look or with the durable 3" stainless steel surround. Unit even comes with a stainless steel cover for protecting when not in use.

Tahoe 45OL comes with rock and Black Onyx fire glass media, and a stainless steel frame.

IDEAL APPLICATIONS: (Outside Only)

- New builds & Renovations
- Restaurants
- Commercial Spaces
- Condominiums

It's all in the Box!



THE EMERSON 48ST SPECIFICATIONS

The Emerson

- Borocilicate glass • Just 9" deep
- No fan • 2 safety screens • Flush Clean face design • 26,000 BTU • Electronic Ignition • 7 day programmable thermostat deluxe remote
- 7 stage modulating valve (flame control) • Linear style burner • NG or LP
- Top vent only • 2 non combustible boards • Steel header • Black reflective fire glass media • Dual stainless steel pan burner

Glass Viewing Area:
13" H x 41" W

Optional Accessories:

- Extra decorative rock media - 3 piece set
- Natural gas conversion kit

Fuel Options: NG or LP



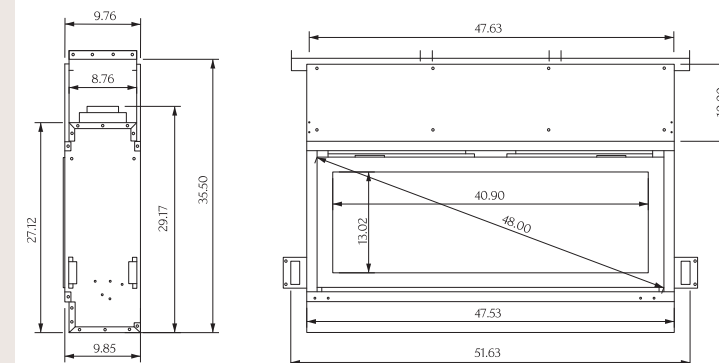
EMERSON

A 48" wide See-Thru unit that is just 9" deep. Featuring a robust flame and a significant heat output at 26,000 BTU's, the Emerson is a lovely addition to any space. Comes standard in the Deluxe version, it comes with black fire glass media and deluxe remote control. New vertical installation adapter kit available for through the roof applications. *Note: unit does not come with a fan.*

IDEAL APPLICATIONS:

- New builds & Renovations
- Restaurants
- Commercial Spaces
- Condominiums

It's all in the Box!



GAS SPECIFICATIONS

Model	Framing Dimensions (For Abbot: Minimum Fireplace Opening)	Viewing Area	BTUs (NG)		AFUE / P4 (NG Efficiency)	Weight*
			Hi	Lo		
Abbot	20-1/4" H x 27" W x 15" D - Premiere 20-1/4" H x 27" W x 16-1/4" D - Deluxe	16" H x 25" W	26,000	10,500	68.3 %	115 lbs.
Newcomb	33-1/2" H x 38" W x 15-1/2" D	15" H x 32-1/2" W	21,000	13,000	65.1 %	115 lbs.
Palisade	32" H x 39-1/2" W x 10-7/8" D	15" H x 32-1/2" W	20,000	13,000	63.45%	105 lbs.
Austin	39" H x 70-1/2" W x 17 1/2" D	18-1/2" H x 62-3/4" W	38,000	27,000	69.10%	240 lbs.
Stanford	39" H x 58-1/2" W x 17-1/2" D	18-1/2" H x 52-3/4" W	36,000	21,250	68.75%	200 lbs.
Bennett	39" H x 44-1/4" W x 16-1/2" D	16-1/2" H x 42" W	30,000	22,000	69.5%	170 lbs.
Langley	32-1/2" H x 34-3/4" W x 8-3/4" D	12" H x 29-1/2" W	15,500	11,000	64.91%	90 lbs.
Thompson	37" H x 38" W x 15" D	16-1/2" H x 29" W	26,000	18,000	67.68%	125 lbs.
Tahoe	31" H x 47-1/4" W x 16" D	14-1/2" H x 39" W	40,500	29,000	Not applicable outdoor model	110 lbs.
Emerson	51-3/4" W x 56" H x 8-3/4" D	13" H x 41" W	26,000	16,500	65.8 %	150 lbs.

*For surrounds add between 5-20 lbs depending on the size of the unit.

Model	Venting**	Ceiling / Mantle Height
Abbot	3" flex vent on exhaust side 3" flex vent on the air intake side	Mantle Height = minimum 33" with a 4" deep mantle Please see manual for other mantle clearances
Newcomb	4" flex vent on exhaust side 7" flex vent on the air intake side	Internal ceiling = minimum 48" Mantle Height = minimum 40"
Palisade	4" flex vent on exhaust side 7" flex vent on the air intake side	Internal ceiling = minimum 40" Mantle Height = minimum 40"
Austin	4" flex vent on exhaust side 7" flex vent on the air intake side	Internal ceiling = 58" from top of unit Mantel height = 45"
Stanford	4" flex vent on exhaust side 7" flex vent on the air intake side	Internal ceiling = 58" Mantle height = minimum 45"
Bennett	4" flex vent on exhaust side 7" flex vent on the air intake side	Internal ceiling = 58" Mantle height = minimum 42"
Langley	3" flex vent on exhaust side 6" flex vent on the air intake side	Internal ceiling = 38" Mantle height = 40"
Thompson	4" flex vent on exhaust side 7" flex vent on the air intake side	Internal ceiling= 52" from top of unit Mantel height=42"
Tahoe	No venting required	Internal ceiling = 48" Mantle height = 42"
Emerson	4" flex vent on exhaust side 6" flex vent on the air intake side	Please refer to manual pages 16 & 17

**Venting - Any certified 2 ply flex piping can be used. Certified on Duravent, Selkirk, Metal Fab, ICC Valves - American Flame & Skytech EI system

The Sierra Flame Advantage

All Sierra Flame units are manufactured with the highest quality parts available, from the smallest component to the optional hand crafted overlays. Our units are designed for ease of installation and servicing and our focus is on keeping the styles fresh and current. As well, our realistic and exceptionally large flame is a noticeable feature that sets us apart from the competition. Our standard units include upgrades that would be costly add-ons with other suppliers like the remote control, quality fire glass media, decorative rock and log sets. We offer to you a finely tuned selection of units – focusing on quality not quantity and hope that you choose a Sierra Flame fireplace to enjoy for years to come!



Austin 65L gas fireplace



Stanford gas fireplace with Clean Face surround



Bennett 45L gas fireplace



Newcomb gas fireplace with Clean Face surround

DESIGNER MEDIA KITS

Inspired by the natural beauty of the outdoors, each kit comes with a rustic log set, colored pebble mix, smooth river rocks, Sierra Flame black fire glass and grey/black and natural vermiculite ash. This designer media kit is for use with the listed gas models as well as our new Amantii TRU-VIEW 3 sided electric fireplace. Designed by Sierra Flame and Amantii - Inspired by Mother Nature!



Note: Sierra flame gas fireplace units can be outfitted with our high quality, realistic looking log sets.

You will find there are more log set pieces in the box than can be used. Every precaution has been taken to ensure the log sets are not damaged in transit - but in the event that there is some breakage there will be extra pieces to use in their place.

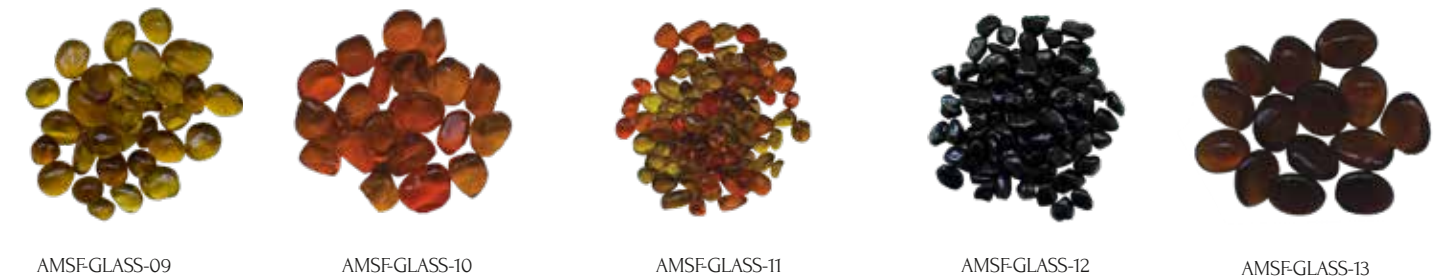
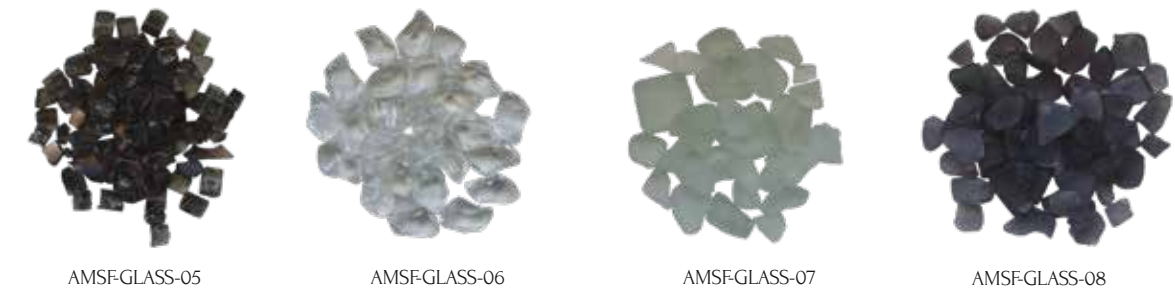
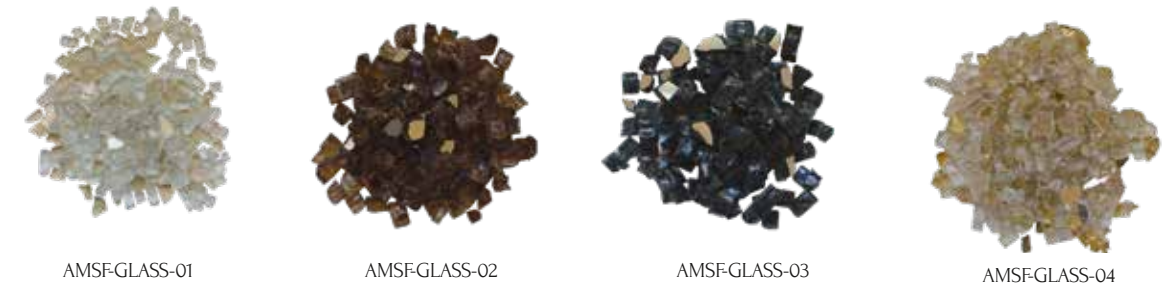
Please refer to the set up guide for placement of your log set pieces for proper function and the most realistic display.

FIRE GLASS OPTIONS

Sierra Flames decorative fire glass media is a beautiful addition to your gas fireplace. Turn your fireplace into a expressive work of art by simply adding Sierra Flame decorative fire glass media. Our fire glass adds a distinctly modern feel to your gas fireplace - mix colors and textures for a unique appearance.

Sierra Flames decorative fire glass is tempered and will not melt or degrade, some discoloration is normal on glass that is placed directly on the flame. Always wear protective gloves when handling fire glass media.

One 5lb container of media will cover 1 square foot.



SIERRA FLAME



Langley gas fireplace

OUTSIDE SURROUND DIMENSIONS

Model	Model Number	Outside Surround Dimensions	Description
Abbot	ABBOT-30-BLK-28 ABBOT-30-BLK-26 ABBOT-4PCE-BLK-32	28.03 x 40.12 26.03 x 40.12 please see website	Standard black 3 sided surround Standard black 3 sided surround 4 sided black surround
Newcomb	NEWCOMB-CLEAN-BLK NEWCOMB-SURR-BLK-SCR NEWCOMB-36-SURR-BLK-SCR	14.89 x 32.66 22.62 x 39.71 26.67 x 43.34	Clean Face Black Black Surround with safety barrier Basic black surround with screen Decorative Black surround with screen
Palisade	PALISADE-36-SURR PALISADE-36-SURR-AP	26.56 x 42.87 26.56 x 42.87	Black surround (without access panel) Black surround with access panel
Austin	AUSTIN-CLEAN-BLK AUSTIN-SB	18.57 x 62.59 26.10 x 69.64	Clean Face Black Black Surround with safety barrier Basic trim & safety barrier
Stanford	STANFORD-CLEAN-BLK STANFORD-SB STANFORD-SUR-BLK	18.50 x 52.70 26.10 x 49.46 30 x 63.05	Clean face black surround with safety barrier Basic trim & safety barrier Decorative black surround with safety barrier
Bennett	BENNETT-CLEAN-BLK BENNETT-SB BENNETT-SUR-BLK	18.50 x 42.70 26.10 x 49.46 30 x 53.17	Clean face black surround with safety barrier Basic trim & safety barrier Decorative black surround with safety barrier
Langley	LANGLEY-SB	22.72 x 39.30	Basic trim & safety barrier (Required)
Thompson	Attached to unit	27.76 x 37.87	Black trim & safety barrier
Tahoe	N/A	N/A	N/A
Emerson	EMERSON-48-DELUXE		

Distributed By:

SIERRA FLAME

877-850-9458

502-1027 Davie Street, Vancouver, BC V6E 4L2

August 2019