

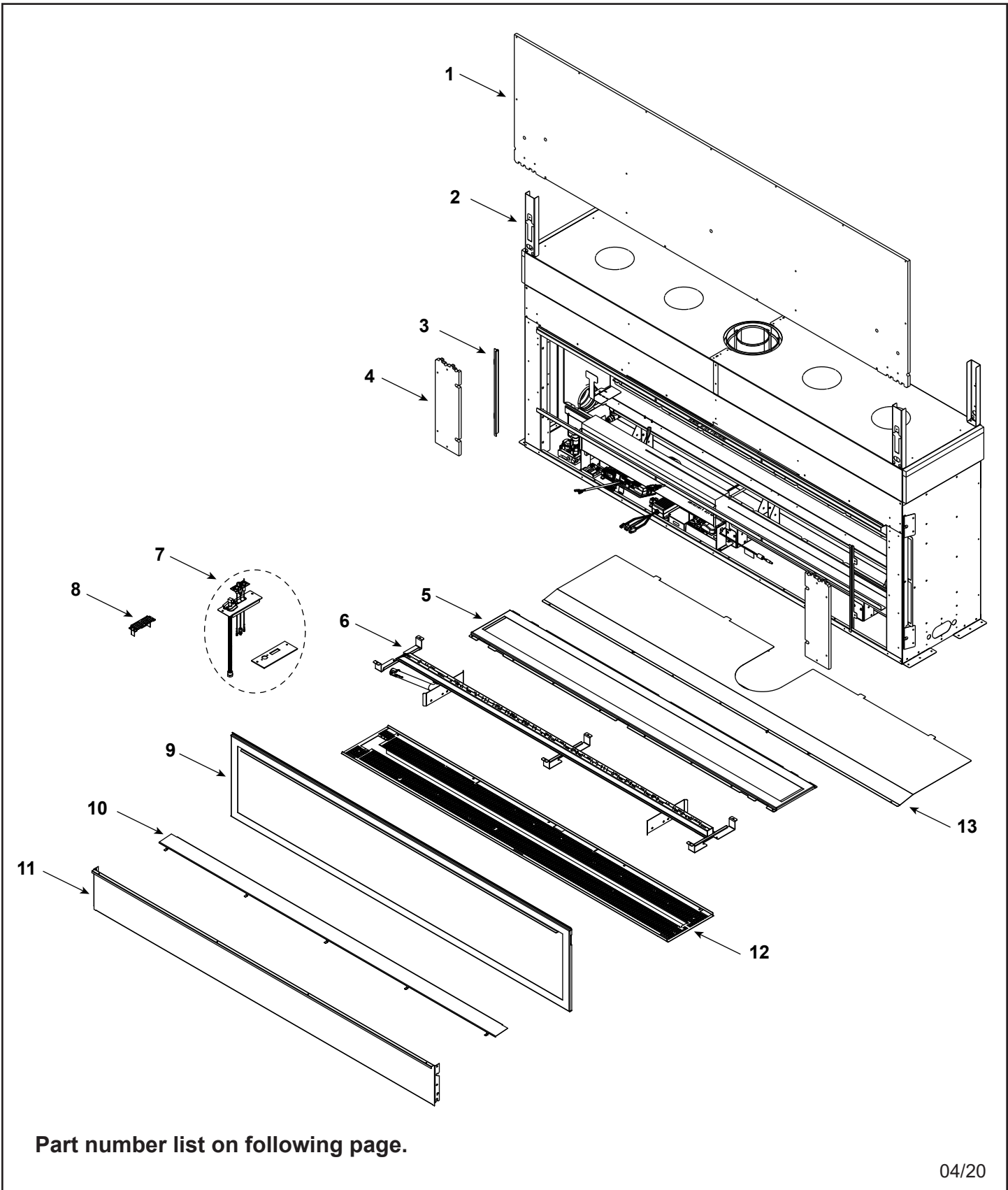


# Service Parts

# ECHEL72IN-C

Echelon 72" Gas Fireplace - DV

Beginning Manufacturing Date: Aug 2019  
Ending Manufacturing Date: Active



Part number list on following page.



## Service Parts

# ECHEL72IN-C

Beginning Manufacturing Date: Aug 2019  
Ending Manufacturing Date: Active

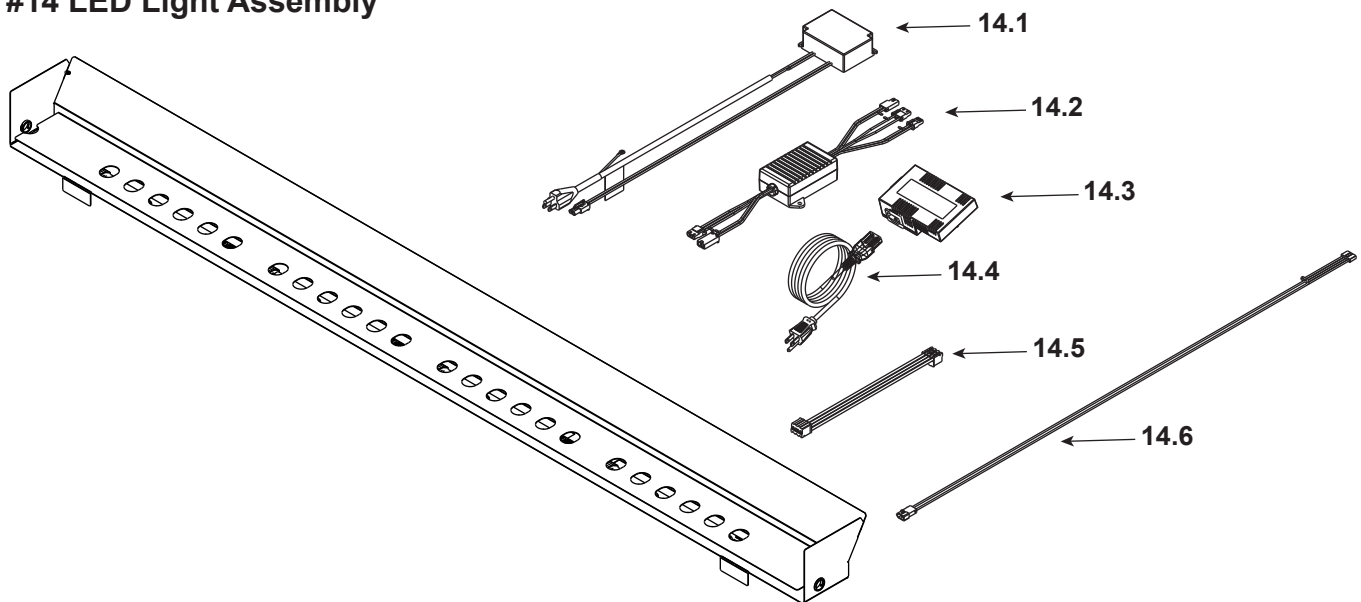
IMPORTANT: THIS IS DATED INFORMATION. Parts must be ordered from a dealer or distributor. **Hearth and Home Technologies does not sell directly to consumers.** Provide model number and serial number when requesting service parts from your dealer or distributor.



Stocked  
at Depot

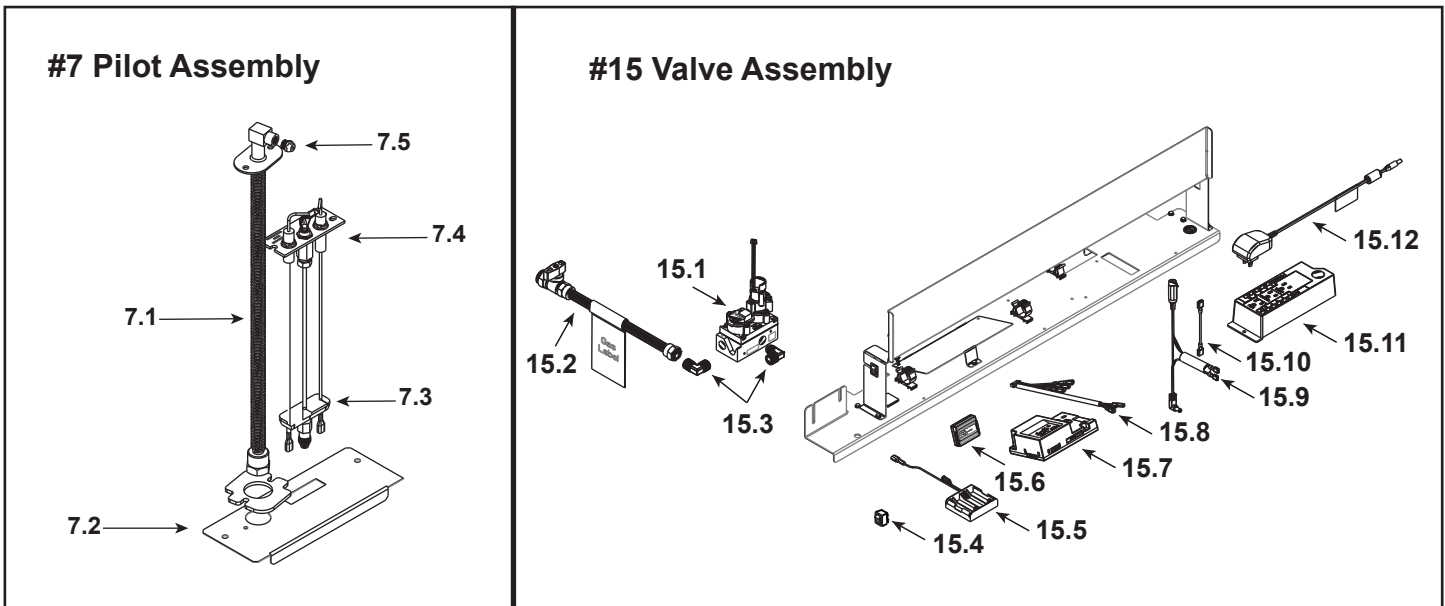
| ITEM | DESCRIPTION                 | COMMENTS  | PART NUMBER               |  |
|------|-----------------------------|-----------|---------------------------|--|
| 1    | Non-combustible Board, Top  |           | SRV2331-460               |  |
| 2    | Standoff, Top               | Qty 4 req | 2604-283                  |  |
| 3    | Side Trim                   | Qty 2 req | 2300-281                  |  |
| 4    | Non-combustible Board, Side | Qty 2 req | 2300-461                  |  |
| 5    | Bottom Glass                |           | 2331-018                  |  |
| 6    | Burner                      |           | 2411-007                  |  |
| 7    | Pilot Assembly              |           | <b>See Following Page</b> |  |
| 8    | Shield, Pilot               |           | 2410-196                  |  |
| 9    | Glass Assembly              |           | GLA-72-MAJ                |  |
| 10   | Shield, Bottom Glass        |           | 2331-179                  |  |
| 11   | Panel, Bottom               |           | 2331-147                  |  |
| 12   | Rock Tray                   |           | 2411-151                  |  |
| 13   | Heat Shield                 |           | 2606-150                  |  |

### #14 LED Light Assembly



|      |                         |  |             |   |
|------|-------------------------|--|-------------|---|
| 14   | LED Light Assembly      |  | ALK-72-C    |   |
| 14.1 | Power Supply, LED 40W   |  | 2326-113    | Y |
| 14.2 | LED Dimmer              |  | 2326-112    | Y |
| 14.3 | Module, B Type AC       |  | 2326-150    | Y |
| 14.4 | Cable, B Type AC Module |  | SRV2326-152 | Y |
| 14.5 | LED Lightbar Connection |  | 2300-753    | Y |
| 14.6 | Cable, Linear LED       |  | 2300-754    | Y |

Additional service part numbers on following page.



IMPORTANT: THIS IS DATED INFORMATION. Parts must be ordered from a dealer or distributor. **Hearth and Home Technologies does not sell directly to consumers.** Provide model number and serial number when requesting service parts from your dealer or distributor.



**Stocked at Depot**

| ITEM  | DESCRIPTION              | COMMENTS                         | PART NUMBER |   |
|-------|--------------------------|----------------------------------|-------------|---|
| 7.1   | Bulkhead w/Flex tube     |                                  | 2166-119    | Y |
| 7.2   | Plate, Flex and Pilot    |                                  | 2300-163    |   |
| 7.3   | 3-Hole Grommet           |                                  | SRV2118-420 |   |
| 7.4   | Pilot Assembly, NG       |                                  | 2406-012    | Y |
|       | Pilot Assembly, Propane  | Convert 2406-012 with SRV593-527 |             | Y |
| 7.5   | Orifice, NG #23C         |                                  | 582-823     | Y |
|       | Orifice, Propane #46C    |                                  | 582-846     | Y |
| 15.1  | Valve, NG                |                                  | 2166-302    | Y |
|       | Valve, Propane           |                                  | 2166-303    | Y |
| 15.2  | Flex Ball Valve Assembly |                                  | 2078-022    | Y |
| 15.3  | Elbow                    | Qty 2 req                        | SRV4021-045 |   |
| 15.4  | Reset Switch             |                                  | 2206-298    | Y |
| 15.5  | Battery Pack**           |                                  | SRV2326-134 | Y |
| 15.6  | Module, RF               |                                  | 2326-120    | Y |
| 15.7  | Module, IFT Control      |                                  | SRV2326-130 | Y |
| 15.8  | Wire Harness             |                                  | SRV2326-132 | Y |
| 15.9  | Reset Switch Wire        |                                  | 2326-135    | Y |
| 15.10 | Jumper Wire, 2.5 inch    |                                  | 2155-033    | Y |
| 15.11 | Junction Box             |                                  | SRV4021-013 | Y |
| 15.12 | Transformer, 6 Volt Wall |                                  | SRV2326-131 | Y |

\*\*Fuse for battery pack can be sourced locally, not a warranty item. Specs are 250v, 3A fuse, 3/4" long  
Additional service part numbers on following page.

