

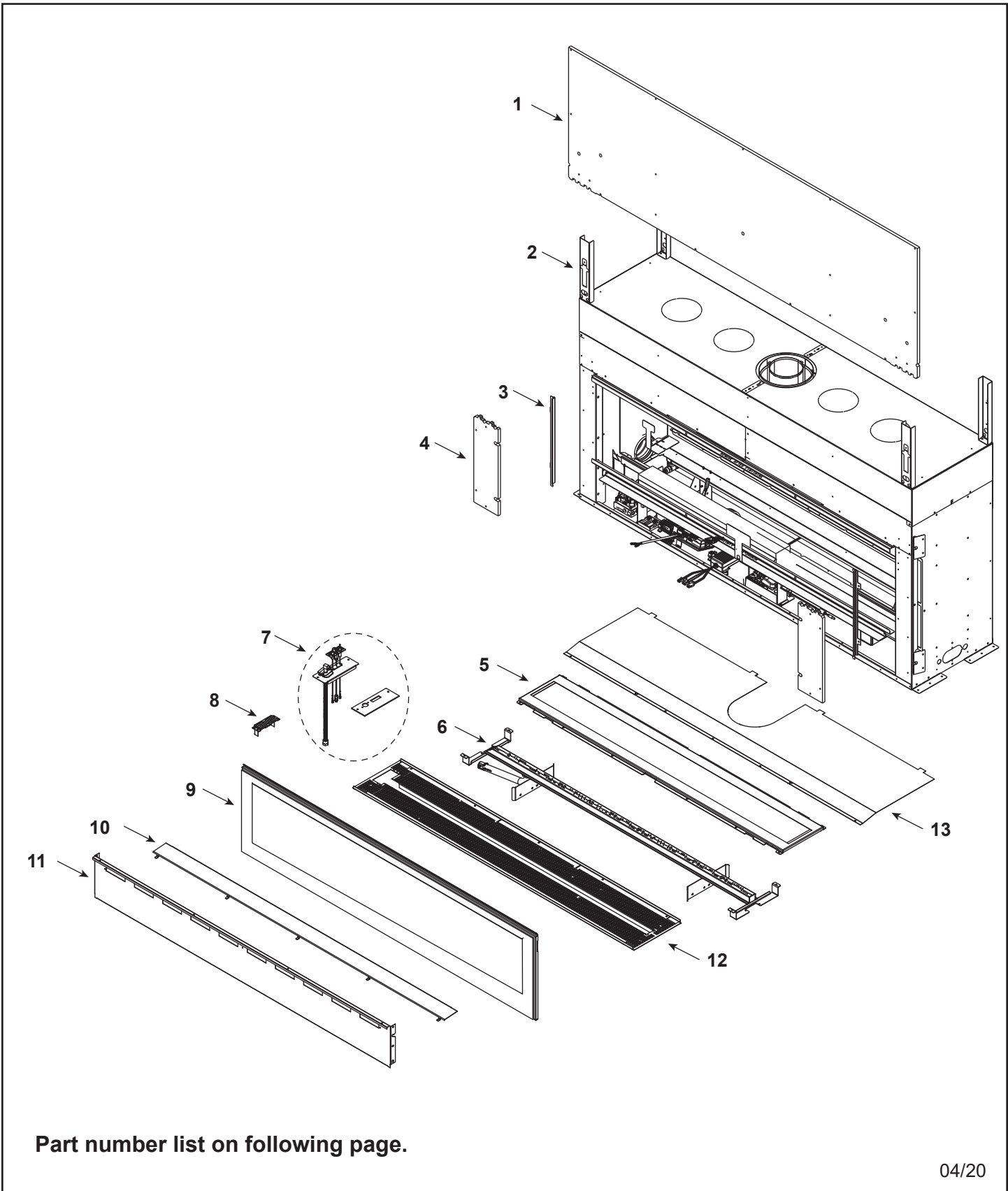


Service Parts

ECHEL60IN-C

Echelon 60" Gas Fireplace - DV

Beginning Manufacturing Date: Aug 2019
Ending Manufacturing Date: Active



Part number list on following page.



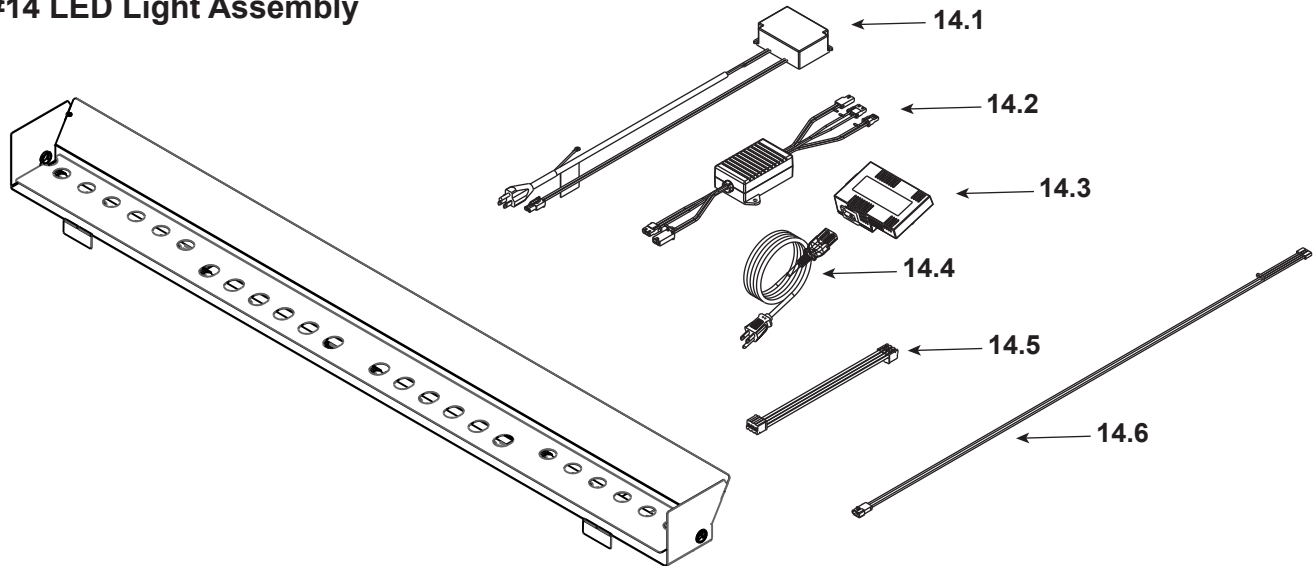
IMPORTANT: THIS IS DATED INFORMATION. Parts must be ordered from a dealer or distributor. **Hearth and Home Technologies does not sell directly to consumers.** Provide model number and serial number when requesting service parts from your dealer or distributor.



Stocked at Depot

| ITEM | DESCRIPTION | COMMENTS | PART NUMBER | |
|------|-----------------------------|-----------|---------------------------|--|
| 1 | Non-combustible Board, Top | | SRV2321-460 | |
| 2 | Standoff, Top | Qty 4 req | 2604-283 | |
| 3 | Side Trim | Qty 2 req | 2300-281 | |
| 4 | Non-combustible Board, Side | Qty 2 req | 2300-461 | |
| 5 | Bottom Glass | | 2321-018 | |
| 6 | Burner | | 2410-007 | |
| 7 | Pilot Assembly | | See Following Page | |
| 8 | Shield, Pilot | | 2410-196 | |
| 9 | Glass Assembly | | GLA-60-MAJ | |
| 10 | Shield, Bottom Glass | | 2321-179 | |
| 11 | Panel, Bottom | | 2321-147 | |
| 12 | Rock Tray | | 2410-151 | |
| 13 | Heat Shield | | 2604-150 | |

#14 LED Light Assembly

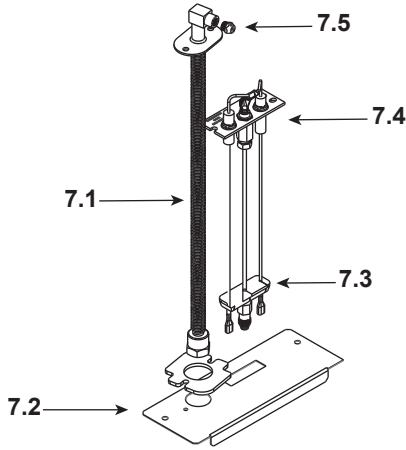


| | | | | |
|------|-------------------------|--|-------------|---|
| 14 | LED Light Assembly | | ALK-60-C | |
| 14.1 | Power Supply, LED 40W | | 2326-113 | Y |
| 14.2 | LED Dimmer | | 2326-112 | Y |
| 14.3 | Module, B Type AC | | 2326-150 | Y |
| 14.4 | Cable, B Type AC Module | | SRV2326-152 | Y |
| 14.5 | LED Lightbar Connection | | 2300-753 | Y |
| 14.6 | Cable, Linear LED | | 2300-754 | Y |

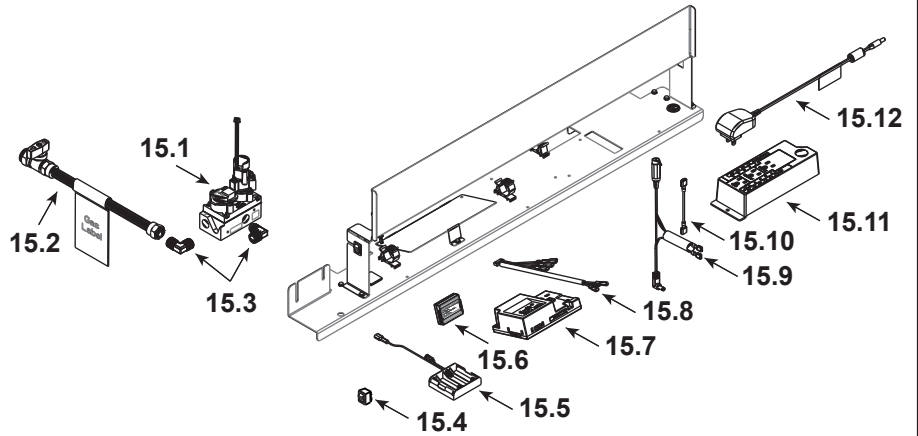
Additional service part numbers on following page.



#7 Pilot Assembly



#15 Valve Assembly



IMPORTANT: THIS IS DATED INFORMATION. Parts must be ordered from a dealer or distributor. **Hearth and Home Technologies does not sell directly to consumers.** Provide model number and serial number when requesting service parts from your dealer or distributor.



Stocked at Depot

| ITEM | DESCRIPTION | COMMENTS | PART NUMBER | |
|-------|--------------------------|----------------------------------|-------------|---|
| 7.1 | Bulkhead w/Flex tube | | 2166-119 | Y |
| 7.2 | Plate, Flex and Pilot | | 2300-163 | |
| 7.3 | 3-Hole Grommet | | SRV2118-420 | |
| 7.4 | Pilot Assembly, NG | | 2406-012 | Y |
| | Pilot Assembly, Propane | Convert 2406-012 with SRV593-527 | | Y |
| 7.5 | Orifice, NG #28C | | 582-828 | Y |
| | Orifice, Propane #49C | | SRV582-849 | Y |
| 15.1 | Valve, NG | | 2166-302 | Y |
| | Valve, Propane | | 2166-303 | Y |
| 15.2 | Flex Ball Valve Assembly | | 2078-022 | Y |
| 15.3 | Elbow | Qty 2 req | SRV4021-045 | |
| 15.4 | Reset Switch | | 2206-298 | Y |
| 15.5 | Battery Pack** | | SRV2326-134 | Y |
| 15.6 | Module, RF | | 2326-120 | Y |
| 15.7 | Module, IFT Control | | SRV2326-130 | Y |
| 15.8 | Wire Harness | | SRV2326-132 | Y |
| 15.9 | Reset Switch Wire | | 2326-135 | Y |
| 15.10 | Jumper Wire, 2.5 inch | | 2155-033 | Y |
| 15.11 | Junction Box | | SRV4021-013 | Y |
| 15.12 | Transformer, 6 Volt Wall | | SRV2326-131 | Y |

**Fuse for battery pack can be sourced locally, not a warranty item. Specs are 250v, 3A fuse, 3/4" long

Additional service part numbers on following page.

