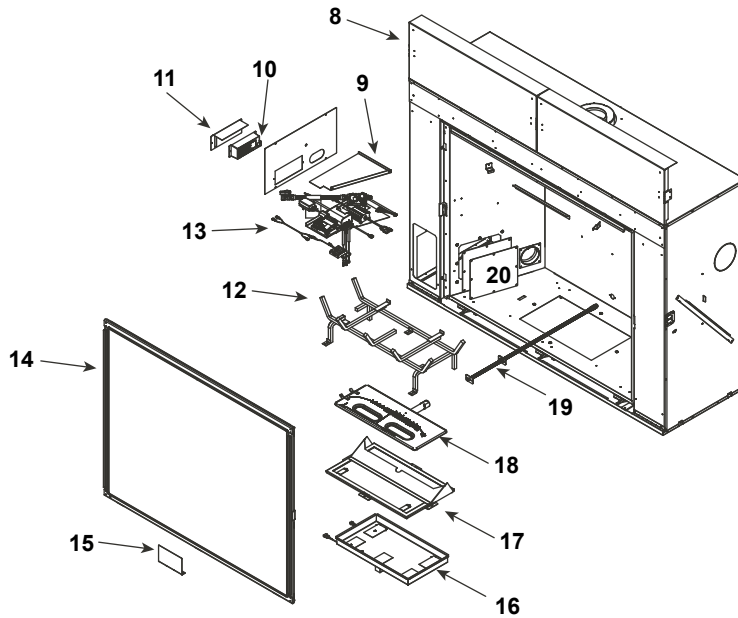




Log Set Assembly



IMPORTANT: THIS IS DATED INFORMATION. Parts must be ordered from a dealer or distributor. **Hearth and Home Technologies does not sell directly to consumers.** Provide model number and serial number when requesting service parts from your dealer or distributor.



Stocked at Depot

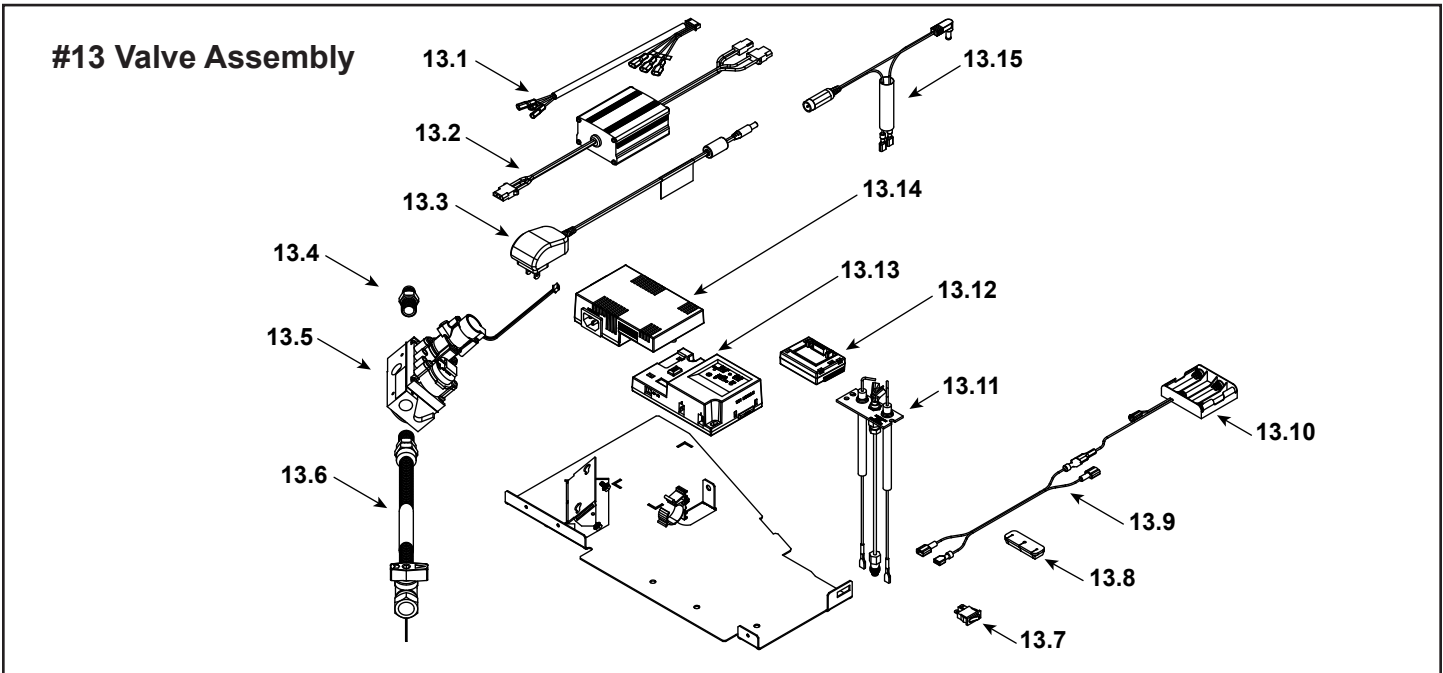
ITEM	DESCRIPTION	COMMENTS	PART NUMBER	
	Log Assembly		LOGSMQ42	Y
1	Log 1		SRV2271-701	
2	Log 2		SRV2271-702	
3	Log 3		SRV2271-703	
4	Log 4		SRV2271-704	
5	Log 5		SRV2271-705	
6	Log 6		SRV2271-706	
7	Log 7		SRV2271-707	
8	Heat Shield, Header	Qty 2 req	2281-105	
9	Heat Shield, Valve		2281-153	
10	Junction box		SRV4021-013	Y
11	J-Box Bracket		2281-154	
12	Grate Assembly		2271-015	
13	Valve Assembly		Refer to Valve Page	
14	Glass Assembly		GLA-2281	
15	Finishing Spacer		2281-113	
16	LED Tub Assembly		2271-027	
17	Inner Glass Frame Assembly		2281-019	
18	Burner Assembly		2271-007	Y
19	Orifice Bracket Flex		2012-008	Y
20	Access Plate		2281-117	



Service Parts

MARQ42IN

Beginning Manufacturing Date: Oct 2016
Ending Manufacturing Date: Feb 2019



IMPORTANT: THIS IS DATED INFORMATION. Parts must be ordered from a dealer or distributor. **Hearth and Home Technologies does not sell directly to consumers.** Provide model number and serial number when requesting service parts from your dealer or distributor.



Stocked at Depot

ITEM	DESCRIPTION	COMMENTS	PART NUMBER	Stocked at Depot
13.1	Wire Harness		SRV2326-132	Y
13.2	Led Controller		2166-336	Y
13.3	Power Supply		SRV2326-131	Y
13.4	Male connector	Pkg of 5	303-315/5	Y
13.5	Valve NG		2166-302	Y
	Valve Propane		2166-303	Y
13.6	Flex Ball Valve Assembly. 12"		SRV302-320	Y
13.7	Rocker Switch		SRV2206-299	Y
13.8	Grommet		SRV2118-420	
13.9	Wire, Battery jumps, 10 in		2281-196	Y
13.10	**Battery Pack		SRV2326-134	Y
13.11	Pilot Assembly, NG		2270-012	Y
13.12	Module, RF FCC		2326-120	Y
13.13	Module, Control IFT		SRV2326-130	Y
13.14	Aux Module, B Type		2326-150	Y
13.15	Wall Switch Jumper Wire		2326-135	Y
	Cable, B Type AC Module		2326-152	Y
	Orifice NG (#26C)		582-826	Y
	Orifice Propane (#45C)		582-845	Y

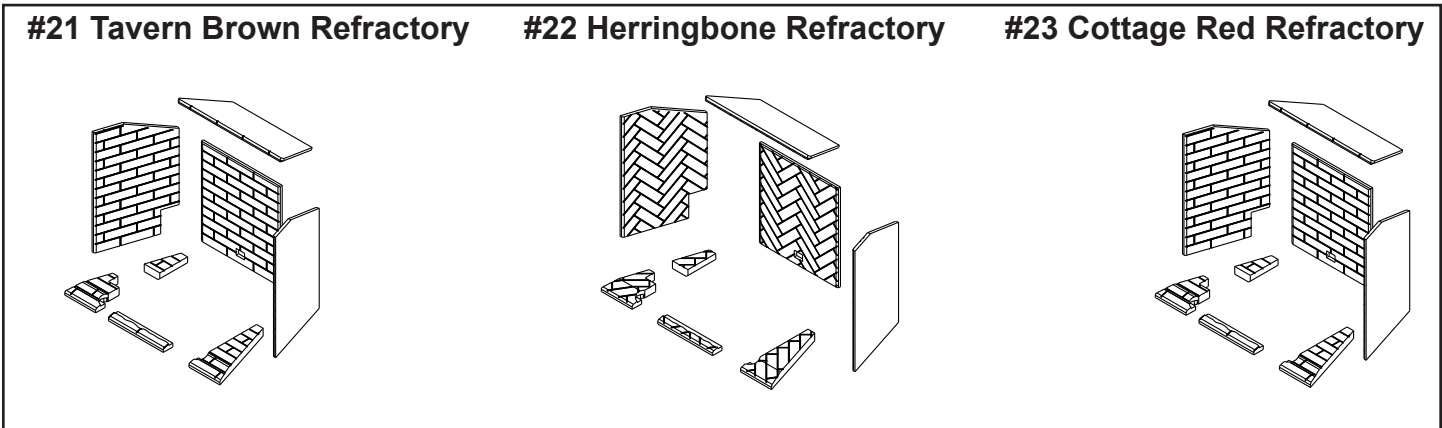
**Fuse for battery pack can be sourced locally, not a warranty item. Specs are 250v, 3A fuse, 3/4" long



Service Parts

MARQ42IN

Beginning Manufacturing Date: Oct 2016
 Ending Manufacturing Date: Feb 2019



IMPORTANT: THIS IS DATED INFORMATION. Parts must be ordered from a dealer or distributor. **Hearth and Home Technologies does not sell directly to consumers.** Provide model number and serial number when requesting service parts from your dealer or distributor.



Stocked at Depot

ITEM	DESCRIPTION	COMMENTS	PART NUMBER	
21	Refractory, Tavern Brown		BRICKMQ42TB	
22	Refractory, Herringbone		BRICKMQ42HB	
23	Refractory, Cottage Red		BRICKMQ42CR	

Additional service parts on following page.



Service Parts

MARQ42IN

Beginning Manufacturing Date: Oct 2016
Ending Manufacturing Date: Feb 2019

IMPORTANT: THIS IS DATED INFORMATION. Parts must be ordered from a dealer or distributor. **Hearth and Home Technologies does not sell directly to consumers.** Provide model number and serial number when requesting service parts from your dealer or distributor.



Stocked at Depot

ITEM	DESCRIPTION	COMMENTS	PART NUMBER	Stocked at Depot
	Air Shutter Tube Assembly		2052-157	
	Exhaust Restrictor		385-128	
	Gasket Assembly		SRV2281-080	
	Glass Clip Tool		2281-375	
	Glass Latch Assembly	Qty 2 req	2146-413	Y
	Glass Latch Assembly	Qty 4 req	2155-045	Y
	Kapton Lens, Light Orange	Qty 2 req	2166-171	Y
	Lava Rock		4021-296	
	Mineral Wool		050-721	
	Non-Comb Assembly		2281-040	
	Nut 1/4-20 Hex Insert		7000-236	
	Refractory Tab	Qty 2 req	2281-114	
	Relief Door Assembly		7011-011	
	Remote RC400		SRV2326-110	Y
	Screws	Pkg of 20	2300-275-20	Y
	Top Refractory Support		2281-190	
	Trim Strip, Sides		2281-366	
	Trim Strip, Top		2281-367	
Conversion Kits				
	Conversion Kit NG		NGKMARQ42	Y
	Conversion Kit Propane		LPKMARQ42	Y
	Pilot Orifice NG		SRV593-528	Y
	Pilot Orifice Propane		SRV593-527	Y
	Regulator NG	w/stepper motor	NGK-DXV-50	Y
	Regulator Propane	w/stepper motor	SRVLPK-DXV-50	Y