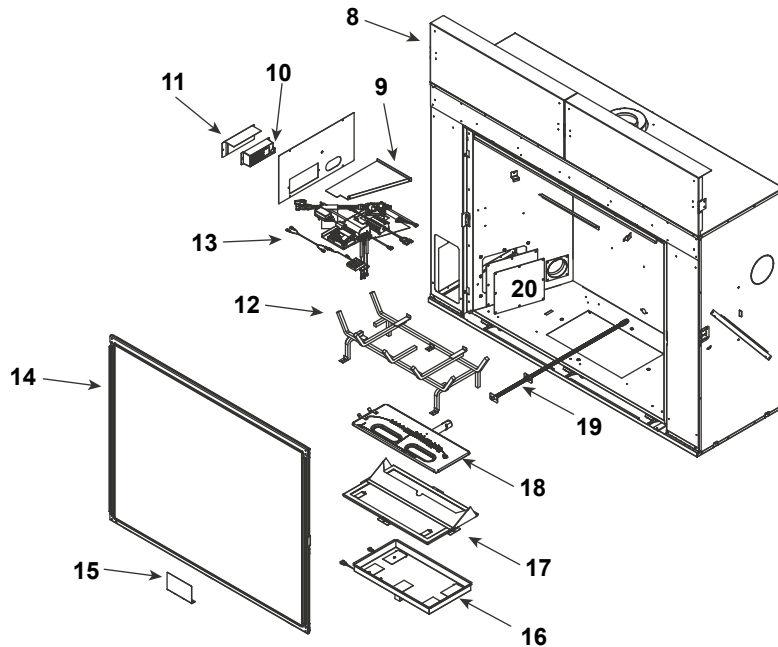




Log Set Assembly



IMPORTANT: THIS IS DATED INFORMATION. Parts must be ordered from a dealer or distributor. **Hearth and Home Technologies does not sell directly to consumers.** Provide model number and serial number when requesting service parts from your dealer or distributor.



Stocked at Depot

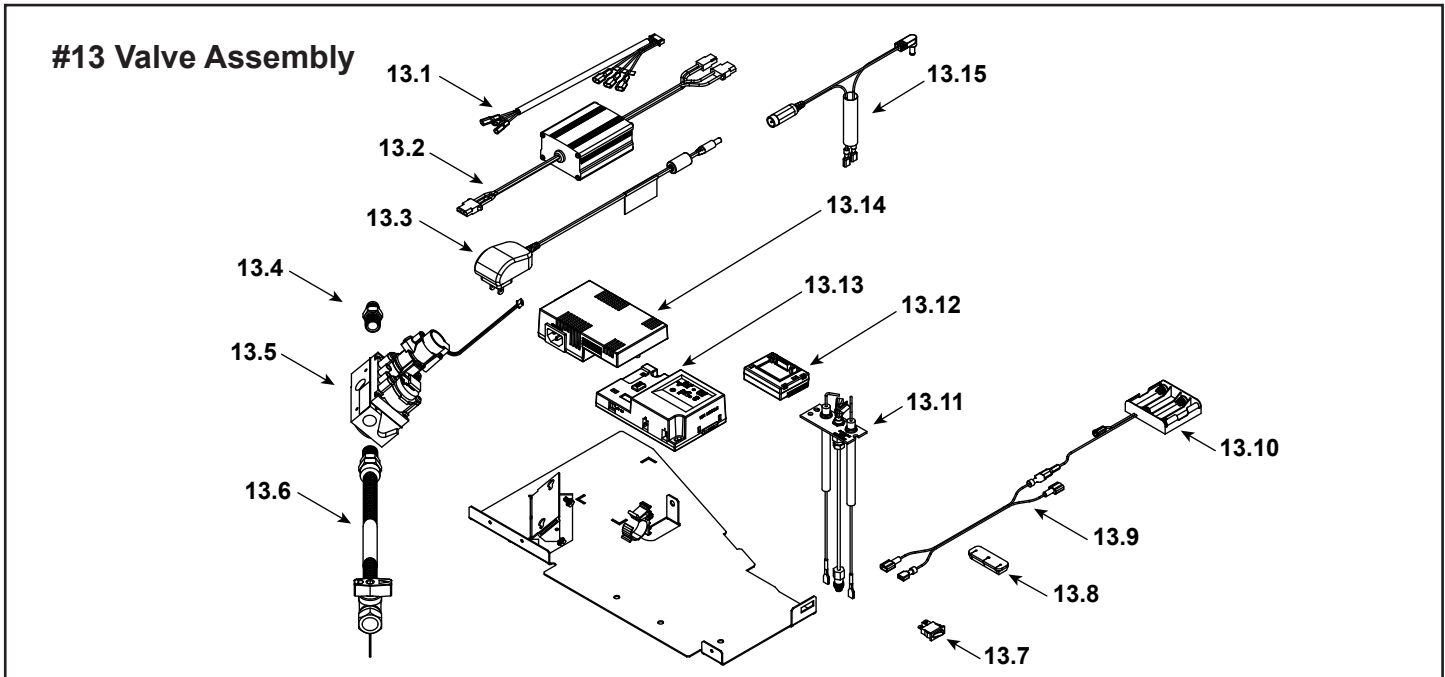
ITEM	DESCRIPTION	COMMENTS	PART NUMBER	Stocked at Depot
	Log Assembly		LOGSMQ36	Y
1	Log 1		SRV2270-701	
2	Log 2		SRV2270-702	
3	Log 3		SRV2270-703	
4	Log 4		SRV2270-704	
5	Log 5		SRV2270-706	
6	Log 6		SRV2271-705	
7	Log 7		SRV2271-707	
8	Heat Shield, Header	Qty 2 req	2280-105	
9	Heat Shield, Valve		2281-153	
10	Junction box		SRV4021-013	Y
11	J-Box Bracket		2281-154	
12	Grate Assembly		2270-015	
13	Valve Assembly		Refer to Valve Page	
14	Glass Assembly		GLA-2280	
15	Finishing Spacer		2281-113	
16	LED Tub Assembly		2270-027	
17	Inner Glass Frame Assembly		2280-019	
18	Burner Assembly		2270-007	Y
19	Orifice Bracket Flex		2012-008	Y
20	Access Plate		2281-117	



Service Parts

MARQ36IN

Beginning Manufacturing Date: Oct 2016
Ending Manufacturing Date: Feb 2019



IMPORTANT: THIS IS DATED INFORMATION. Parts must be ordered from a dealer or distributor. **Hearth and Home Technologies does not sell directly to consumers.** Provide model number and serial number when requesting service parts from your dealer or distributor.



Stocked at Depot

ITEM	DESCRIPTION	COMMENTS	PART NUMBER	Stocked at Depot
13.1	Wire Harness		SRV2326-132	Y
13.2	Led Controller		2166-336	Y
13.3	Power Supply		SRV2326-131	Y
13.4	Male connector	Pkg of 5	303-315/5	Y
13.5	Valve NG		2166-302	Y
	Valve Propane		2166-303	Y
13.6	Flex Ball Valve Assembly. 12"		SRV302-320	Y
13.7	Rocker Switch		SRV2206-299	Y
13.8	Grommet		SRV2118-420	
13.9	Wire, Battery jumps, 10 in		2281-196	Y
13.10	**Battery Pack		SRV2326-134	Y
13.11	Pilot Assembly, NG		2270-012	Y
13.12	Module, RF FCC		2326-120	Y
13.13	Module, Control IFT		SRV2326-130	Y
13.14	Aux Module, B Type		2326-150	Y
13.15	Wall Switch Jumper Wire		2326-135	Y
	Cable, B Type AC Module		2326-152	Y
	Orifice NG (#30C)		582-830	Y
	Orifice Propane (#47C)		582-847	Y

**Fuse for battery pack can be sourced locally, not a warranty item. Specs are 250v, 3A fuse, 3/4" long

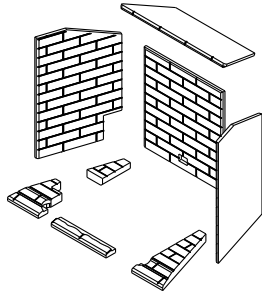


Service Parts

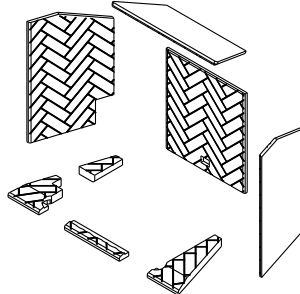
MARQ36IN

Beginning Manufacturing Date: Oct 2016
 Ending Manufacturing Date: Feb 2019

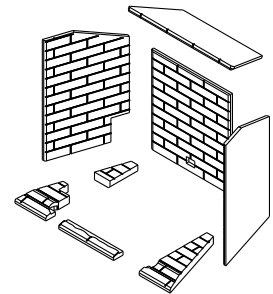
#21 Tavern Brown Refractory



#22 Herringbone Refractory



#23 Cottage Red Refractory



IMPORTANT: THIS IS DATED INFORMATION. Parts must be ordered from a dealer or distributor. **Hearth and Home Technologies does not sell directly to consumers.** Provide model number and serial number when requesting service parts from your dealer or distributor.



**Stocked
at Depot**

ITEM	DESCRIPTION	COMMENTS	PART NUMBER	
21	Refractory, Tavern Brown		BRICKMQ36TB	
22	Refractory, Herringbone		BRICKMQ36HB	
23	Refractory, Cottage Red		BRICKMQ36CR	

Additional service parts on following page.



Service Parts

MARQ36IN

Beginning Manufacturing Date: Oct 2016
Ending Manufacturing Date: Feb 2019

IMPORTANT: THIS IS DATED INFORMATION. Parts must be ordered from a dealer or distributor. Hearth and Home Technologies does not sell directly to consumers. Provide model number and serial number when requesting service parts from your dealer or distributor.



Stocked at Depot

Table with columns: ITEM, DESCRIPTION, COMMENTS, PART NUMBER, and Stocked at Depot. Rows include various service parts like Air Shutter Burner Tube, Exhaust Restrictor, Gasket Assembly, Glass Clip Tool, Glass Latch Assembly, Kapton Lens, Lava Rock, Mineral Wool, Non-Comb Assembly, Nut 1/4-20 Hex Insert, Refractory Tab, Relief Door Assembly, Remote RC400, Screws, Top Refractory Support, Trim Strip, and Conversion Kits.