



STANDARD FEATURES

- ◆ Available in 40" and 45" models
- ◆ Gas controls are conveniently hidden to the side of the fireplace opening for easy installation and finishing
- ◆ Electronic ignition with battery backup to provide continued operation in the event of a power outage
- ◆ Exclusive burner design to generate amazing tall flame
- ◆ Flush hearth floor design
- ◆ Six flame settings for precise control
- ◆ Clean-face design features ceramic glass for optimum heat transfer and a protective screen*
- ◆ Beautiful flame that rises through reflective crushed glass media
- ◆ Interior liner consists of full five-piece black reflective porcelain
- ◆ Full function remote control (Flame, IPI/CPI)
- ◆ Limited Lifetime Warranty

GLASS MEDIA (Choose One)



Reflective Black (standard)

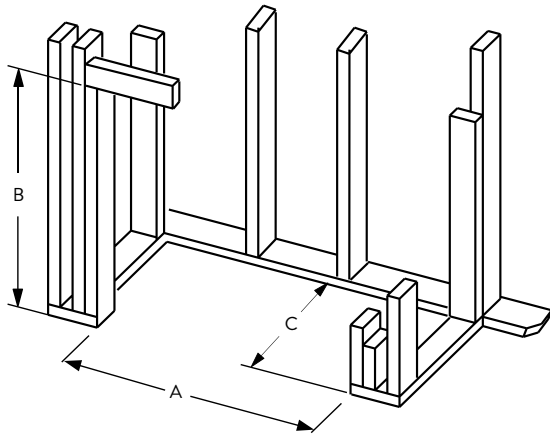


Reflective Blue



Platinum

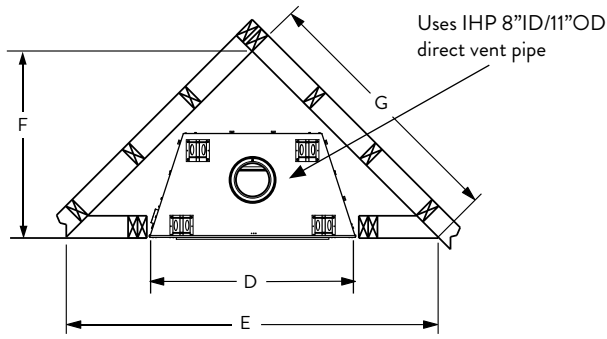
FLAT WALL FRAMING SPECIFICATIONS



MONTEBELLO DLX CD 40 MONTEBELLO DLX CD 45

A	50-3/4"	56-7/8"
B	45"	50"
C	26"	26"

CORNER FRAMING SPECIFICATIONS



MONTEBELLO DLX CD 40 MONTEBELLO DLX CD 45

D	50-5/8"	56-3/4"
E	83-5/8"	89-7/8"
F	41-7/8"	44-7/8"
G	59-1/8"	63-1/2"

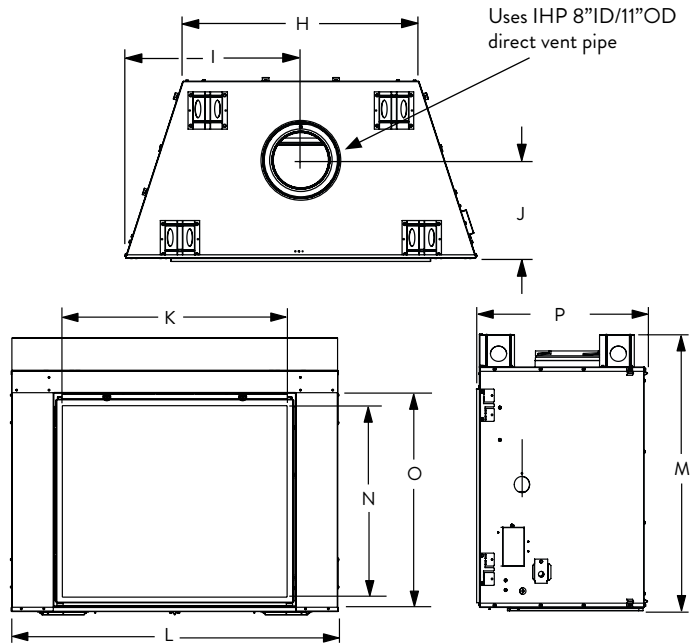
IMPORTANT NOTES:

As with any fireplace, this appliance is extremely hot during operation. Read and understand all operating instructions before using this appliance. For further information, consult your dealer.

Local conditions, such as elevation, wind, vent configuration and choice of fuel will affect overall appearance of the fire and heating performance. Performance can also vary with home design and insulation, climate, condition and type of fuel used, appliance location, burn rate, accessories chosen, chimney installation and how the appliance is operated.

DIAGRAMS, ILLUSTRATIONS AND PHOTOGRAPHS ARE NOT TO SCALE—CONSULT INSTALLATION INSTRUCTIONS. PRODUCT DESIGNS, MATERIALS, DIMENSIONS, SPECIFICATIONS, COLORS AND PRICES ARE SUBJECT TO CHANGE OR DISCONTINUANCE WITHOUT NOTICE.

APPLIANCE SPECIFICATIONS



MONTEBELLO DLX CD 40 MONTEBELLO DLX CD 45

H	34"	40-1/8"
I	25-5/16"	28-3/8"
J	14-1/8"	14-1/8"
K	34-3/4"	40-59/64"
L	50-5/8"	56-11/16"
M	45"	50"
N	29-9/32"	34-1/2"
O	33-3/32"	38-3/32"
P	26-15/32"	26-15/32"

FIREPLACE EFFICIENCIES – Listed to ANSI Z21.50 as a decorative gas appliance.

MODEL	FUEL	BTU/HR	P4/ENERGUIDE*
MONTEBELLO DLX CD 40	NG	32,000/50,000	35.8%
MONTEBELLO DLX CD 40	LP	32,000/50,000	42.0%
MONTEBELLO DLX CD 45	NG	40,000/57,000	47.2%
MONTEBELLO DLX CD 45	LP	43,000/56,000	47.0%

*Intermittent ignition systems.