

# MONTEBELLO DLX

DIRECT-VENT GAS FIREPLACES



## STANDARD FEATURES

- ◆ Available in 40" and 45" models
- ◆ Gas controls are conveniently hidden to the side of the fireplace opening for easy installation and finishing
- ◆ Electronic ignition with battery backup to provide continued operation in the event of a power outage
- ◆ Exclusive burner design to generate amazing tall flame
- ◆ Flush hearth floor design
- ◆ Six flame settings for precise control
- ◆ Clean-face design features ceramic glass for optimum heat transfer and a protective screen\*
- ◆ Premium, high definition rustic Split Oak fiber log set with beautiful glowing ember bed
- ◆ Heavy duty log grate
- ◆ Interior liner selections consist of full three-piece black reflective porcelain or ceramic fiber
- ◆ Full function remote control (Flame, IPI/CPI)
- ◆ Available in dedicated power-vent models (Natural Gas only)
- ◆ Limited Lifetime Warranty

## ANDIRONS (Optional)



Classic Style



Mission Style

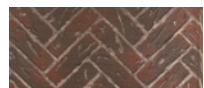
## INTERIOR LINERS (Choose One)



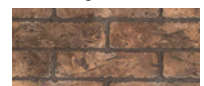
Black Reflective Porcelain



Red Rustic Stacked



Red Herringbone

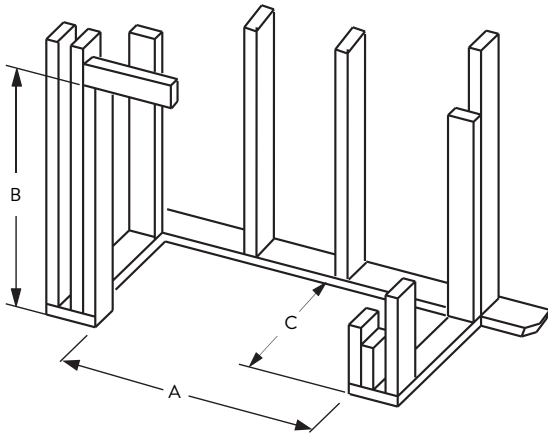


Buff Rustic Stacked



Buff Herringbone

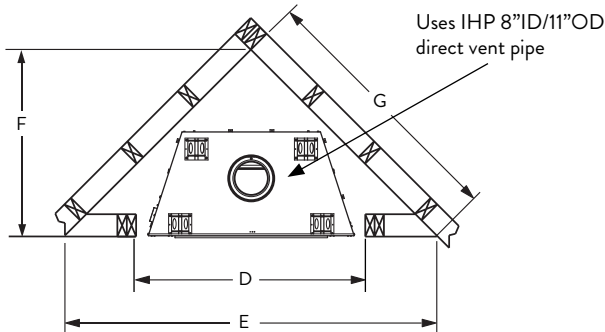
## FLAT WALL FRAMING SPECIFICATIONS



**MONTEBELLO DLX 40    MONTEBELLO DLX 45**

A	50-3/4"	56-7/8"
B	45"	50"
C	26"	26"

## CORNER FRAMING SPECIFICATIONS



**MONTEBELLO DLX 40    MONTEBELLO DLX 45**

D	50-5/8"	56-3/4"
E	83-5/8"	89-7/8"
F	41-7/8"	44-7/8"
G	59-1/8"	63-1/2"

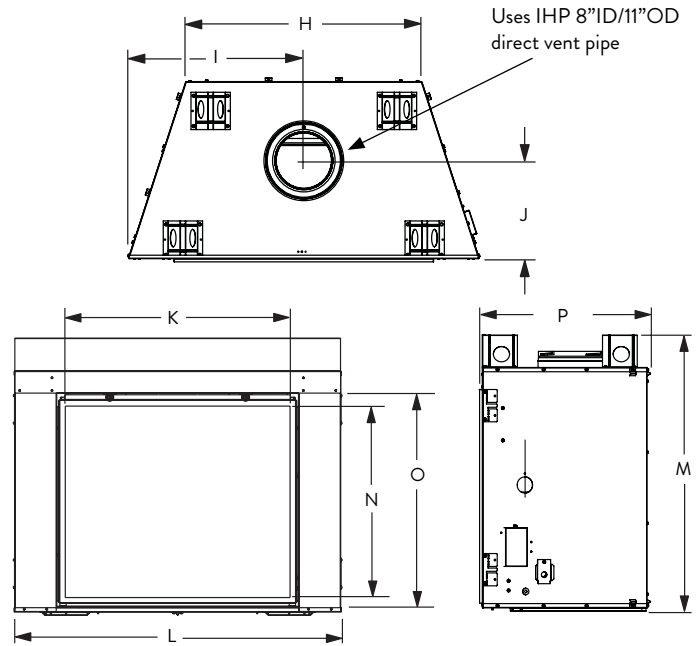
### IMPORTANT NOTES:

As with any fireplace, this appliance is extremely hot during operation. Read and understand all operating instructions before using this appliance. For further information, consult your dealer.

Local conditions, such as elevation, wind, vent configuration and choice of fuel will affect overall appearance of the fire and heating performance. Performance can also vary with home design and insulation, climate, condition and type of fuel used, appliance location, burn rate, accessories chosen, chimney installation and how the appliance is operated.

DIAGRAMS, ILLUSTRATIONS AND PHOTOGRAPHS ARE NOT TO SCALE—CONSULT INSTALLATION INSTRUCTIONS. PRODUCT DESIGNS, MATERIALS, DIMENSIONS, SPECIFICATIONS, COLORS AND PRICES ARE SUBJECT TO CHANGE OR DISCONTINUANCE WITHOUT NOTICE.

## APPLIANCE SPECIFICATIONS



**MONTEBELLO DLX 40    MONTEBELLO DLX 45**

H	34"	40-1/8"
I	25-5/16"	28-3/8"
J	14-1/8"	14-1/8"
K	34-3/4"	40-59/64"
L	50-5/8"	56-11/16"
M	45"	50"
N	29-9/32"	34-1/2"
O	33-3/32"	38-3/32"
P	26-15/32"	26-15/32"

## FIREPLACE EFFICIENCIES – Listed to ANSI Z21.50 as a decorative gas appliance.

MODEL	FUEL	BTU/HR	P4/ENERGUIDE*
MONTEBELLO DLX 40	NG	32,000/50,000	35.8%
MONTEBELLO DLX 40	LP	32,000/50,000	42.0%
MONTEBELLO DLX 40 TYN	NG	26,500/42,000	47.0%
MONTEBELLO DLX 45	NG	40,000/57,000	47.2%
MONTEBELLO DLX 45	LP	43,000/56,000	47.0%
MONTEBELLO DLX 45 TYN	NG	35,000/48,000	47.2%

\*Intermittent ignition systems.



© 2021 Innovative Hearth Products  
785778M 11/21

Visit us online  
Astria.us.com

