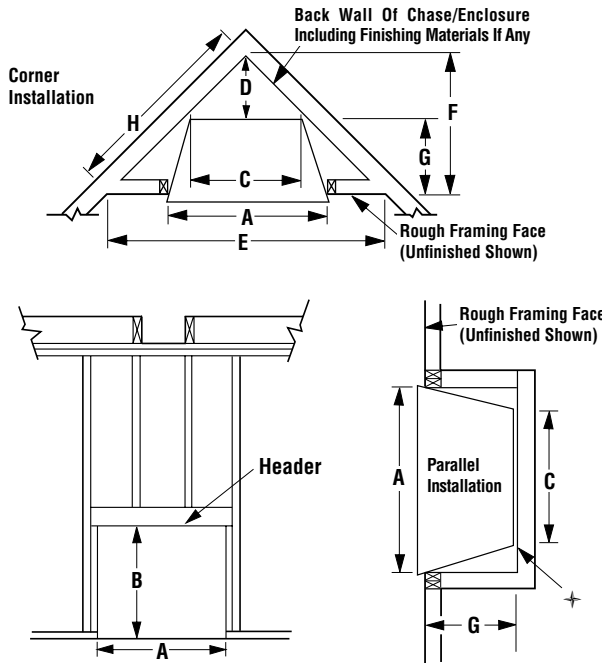


Orion™ LR Series

Appliance Specifications

UNIVERSAL VENT-FREE FIREBOXES

Framing Dimensions



Listing



LISTING: These Universal Vent-Free (built-in) Fireboxes have been tested and approved as Ventless Firebox Enclosures for Gas-Fired Unvented Decorative Room Heaters to ANSI Z21.91.

APPROVED GAS LOGS: These appliances are approved for use ONLY with Vent-Free Gas Log Room Heaters listed to ANSI Z21.11.2 which have an input not to exceed 40,000 BTU/Hr.

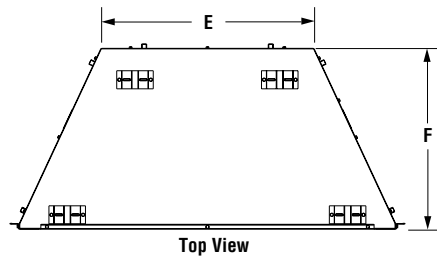
Framing Dimensions			
Opening	32" Models	36" Models	42" Models
A	38-1/4 (972)	42-1/4 (1073)	48-1/4 (1226)
B	40-1/4 (1022)	40-1/4 (1022)	40-1/4 (1022)
C	19-5/8 (499)	23-5/8 (600)	29-5/8 (753)
D	10-1/4 (260)	12-1/4 (311)	15-1/4 (387)
E	59-3/4 (1518)	63-3/4 (1619)	69-3/4 (1772)
F	29-7/8 (759)	31-7/8 (810)	34-7/8 (886)
G*	20-1/2 (521)	20-1/2 (521)	20-1/2 (521)
H	42-1/4 (1073)	45 (1143)	49-3/8 (1254)

* Back wall of chase/enclosure including finishing materials if any.

WARNING:

- Do not fill spaces around the firebox with insulation or other materials.
- Do not notch framing or alter the spacers on the appliance.

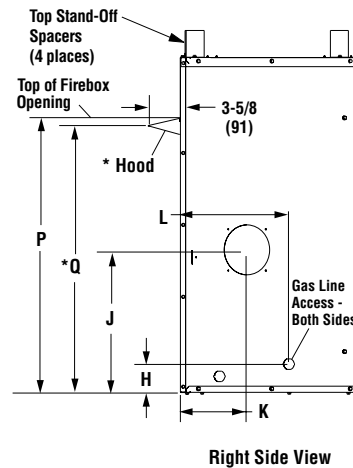
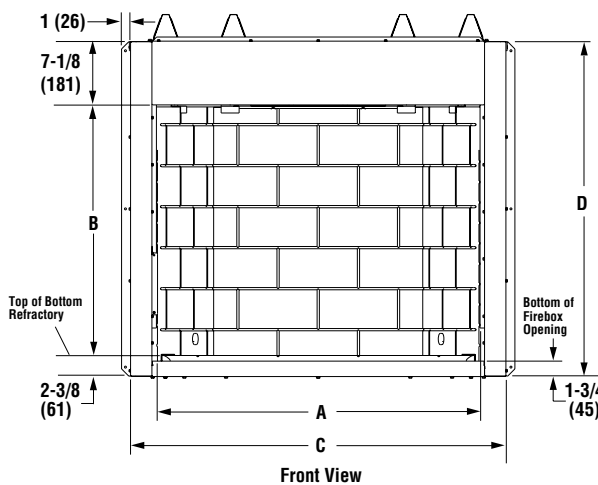
Fireplace Dimensions



Interior Firebox Dimensions **			
Firebox Model	32"	36"	42"
Front Width	31"	35"	41"
Rear Width	19-1/4"	23-1/4"	29-1/4"
Depth	19-5/8"	19-5/8"	19-5/8"
Height	27-7/8"	27-7/8"	27-7/8"

** Dimensions are to assist you in selecting a log set that is a compatible size.

* A hood comes standard and is required for model OrionLR32 Series. The factory-supplied hood must be installed on the firebox for safe operation for model OrionLR32 in all installations. This part is optional for models OrionLR36 and OrionLR42 series fireboxes.



Model No.	Dimensions - Inches (millimeters)														
	A	B	C	D	E	F	G	H	J	K	L	M	N	P	*Q
ORIONLR32WH	33	27-7/8	37-3/4	37-1/4	19-1/2	20	3	3-3/16	15-7/8	7-1/2	12	1-3/8	5-1/2	30-3/8	29-5/8
ORIONLR32WS	(839)	(708)	(956)	(947)	(496)	(508)	(77)	(81)	(404)	(191)	(305)	(35)	(140)	(772)	(753)
ORIONLR36WH	36	27-7/8	41-3/4	37-1/4	23-1/2	20	3	3-3/16	15-7/8	7-1/2	12	1-3/8	5-1/2	30-3/8	29-5/8
ORIONLR36WS	(915)	(708)	(1061)	(947)	(597)	(508)	(77)	(81)	(404)	(191)	(305)	(35)	(140)	(772)	(753)
ORIONLR42WH	42	27-7/8	47-3/4	37-1/4	29-1/2	20	3	3-3/16	15-7/8	7-1/2	12	1-3/8	5-1/2	30-3/8	29-5/8
ORIONLR42WS	(1067)	(708)	(1213)	(947)	(749)	(508)	(77)	(81)	(404)	(191)	(305)	(35)	(140)	(772)	(753)

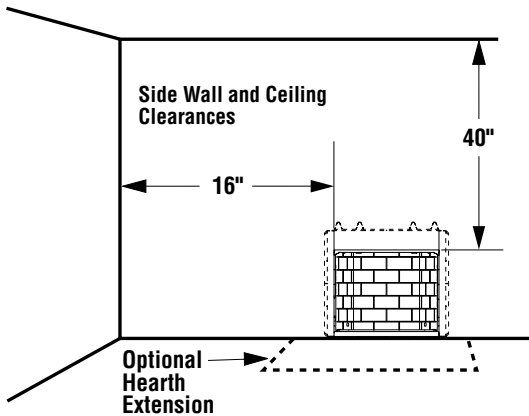
Orion™ LR Series

UNIVERSAL VENT-FREE FIREBOXES

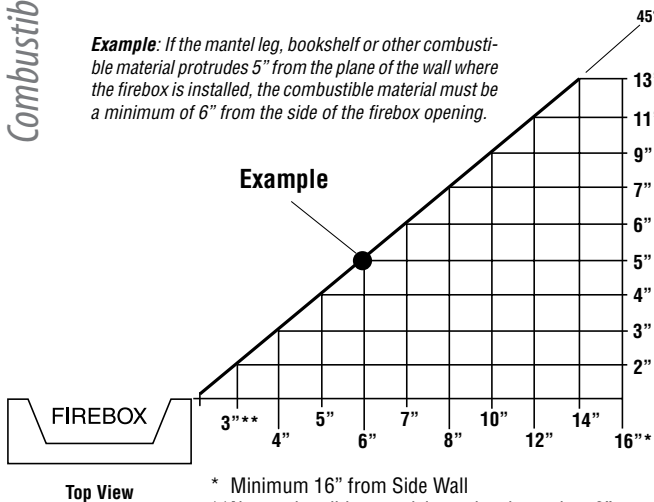
Reference Information

Product Reference Information			
Cat. No.	Model	Ship. Weight (lbs)	Shipping Volume
F4076	OrionLR32WS	180 lbs	20 Cu. Ft
F4077	OrionLR32WH	180 lbs	20 Cu. Ft
F4079	OrionLR36WS	200 lbs	22 Cu. Ft
F4080	OrionLR36WH	200 lbs	22 Cu. Ft
F4082	OrionLR42WS	230 lbs	26 Cu. Ft
F4083	OrionLR42WH	230 lbs	26 Cu. Ft

Combustible Wall and Ceiling Clearances

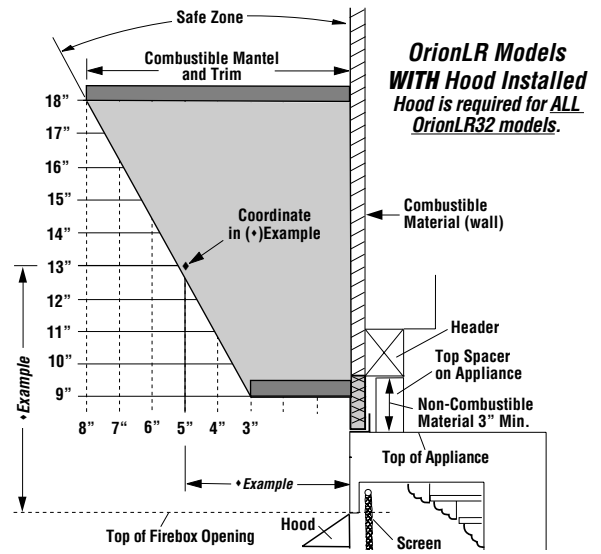


Example: If the mantel leg, bookshelf or other combustible material protrudes 5" from the plane of the wall where the firebox is installed, the combustible material must be a minimum of 6" from the side of the firebox opening.



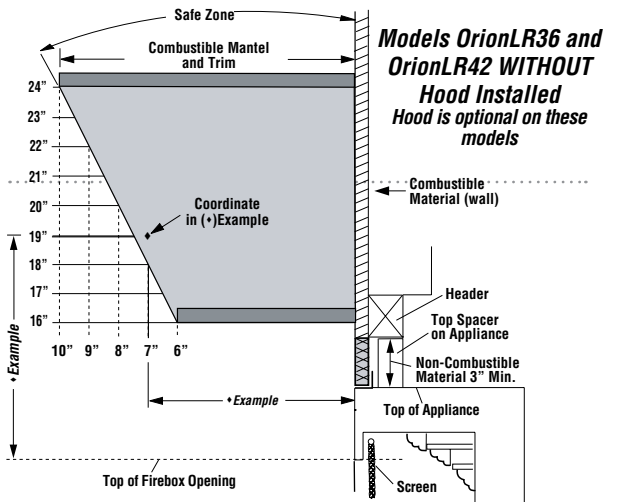
* Minimum 16" from Side Wall
 ** No combustible material may be closer than 3" from the fireplace opening.

Combustible Mantel and Trim Clearances



♦ **EXAMPLE:** If you choose to install a mantel that projects 5", you will need to install it so that the bottom of the mantel and trim is approximately 13" or more above Firebox opening (see coordinate in shaded area above).

Combustible Wall Above Appliance



♦ **EXAMPLE:** If you choose to install a mantel that projects 7", you will need to install it so that the bottom of the mantel and trim is approximately 18" or more above Firebox opening (see coordinate in shaded area above).

