

# A CLEAN BURNING CONTEMPORARY WOOD STOVE & WOOD INSERT

**NEW S25 & S25i**



[napoleon.com](http://napoleon.com)

# A new addition to the S-Series Family

Napoleon is delighted to expand the S-Series family with our medium sized Wood Stove and Insert, the S25 and S25i. A clean burning technology with low emissions and high efficiency, ensuring comfort and peace of mind. A contemporary look blends in to any decor, and cast construction ensures reliability for years to come.

## Product Features

- Up to 70,000 BTUs
- 2.5 cu. ft. firebox capacity
- Burn time 16 hours
- Weighted Average Emissions Rate: 1.3 g/hr
- Weighted Average Overall Efficiency: 76%
- Tested and certified to EPA 2020 cord wood requirements
- Heavy duty 5/16" firebox top
- Ceramic fiber baffle system
- Hidden hinges and extra large glass viewing area
- Contemporary Medium Sized wood stove completed with cast door, cast ash lip and cast pedestal base (S25)
- Contemporary Medium sized wood insert complete with cast door (S25i)
- Precision "Easy Glide" ash drawer with removable ash pan complete with lid for convenient and easy disposal (optional for S25)
- Top and Rear heat shield included (S25)
- Dual blower system included (S25i)



## Features / Accessories



Handle



Optional Ash Disposal Kit  
\*S25 only



Optional Blower Kit  
\*S25 only (included on the S25i)



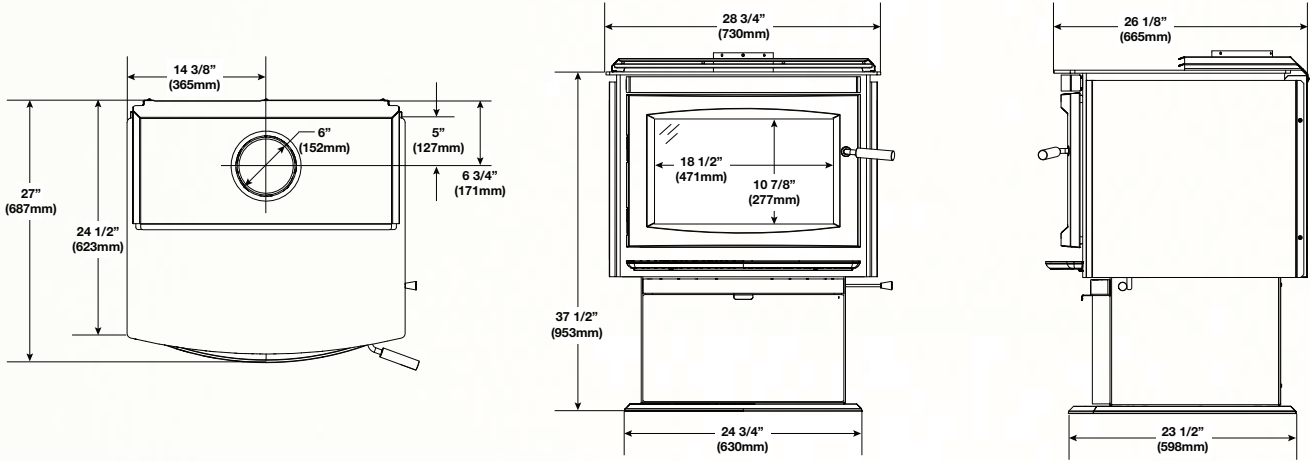
Optional Heat Resistant Gloves



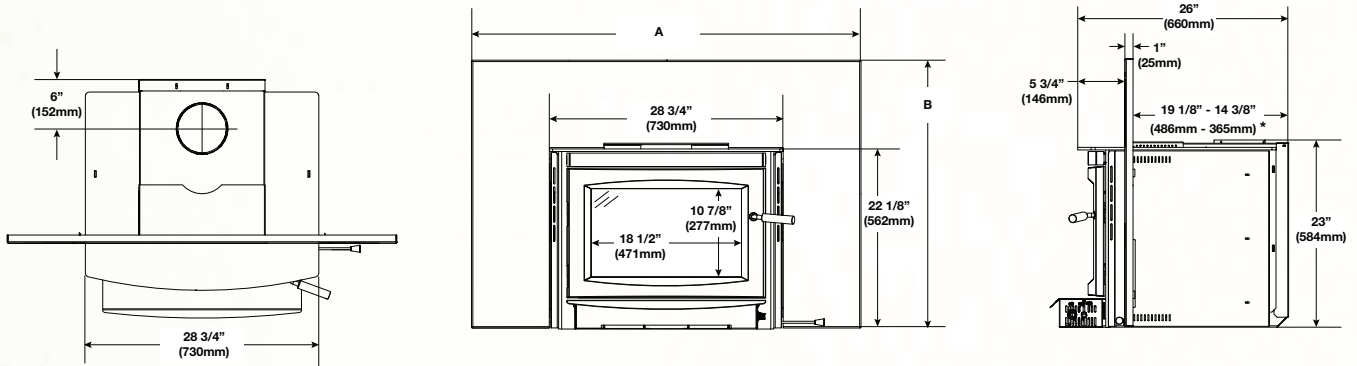
# Specifications

Model	BTU/Hr Heat Output*	BTU Heat Output (High Burn)**	Firebox Capacity (cu. ft.)	Area Heated (sq. ft.)***	Burn Time (Hours)	Log Size (Max)	Emissions (Grams Per Hour)	Efficiency		Mobile Home Approved	Blower Kit
								LHV	HHV		
S25	19,195 - 54,057	70,000	2.5	Up to 2100	16	23"	1.3	76%	71%	No	Optional
S25i	19,195 - 54,057	70,000	2.5	Up to 2100	16	23"	1.3	76%	71%	No	Included

\* Rated BTU/h with softwood test fuel (for emissions only) - no refueling  
 \*\* Wolf Steel Ltd. own test results showing realistic BTU's using hardwood logs with regular refueling. Heat output will differ on chimney draft as well as type, moisture content and size of wood.  
 \*\*\* Figures may vary with individual conditions such as floor plan layout, insulation value/heat loss of the house, geographical location and firewood used.



S25



S25i

Authorized Dealer



24 Napoleon Road, Barrie, Ontario, Canada L4M 0G8  
 103 Miller Drive, Crittenden, Kentucky, USA 41030  
 7200 Trans Canada Highway, Montreal, Quebec, Canada H4T 1A3

Tel: 1-866-820-8686  
 napoleon.com



Consult your owner's manual for complete installation instructions and proper clearances to combustible materials. Check all local and national building codes and gas regulations. All specifications are subject to change without prior notice due to on-going product improvements. Products may not be exactly as shown. Napoleon is a registered trademark of Wolf Steel Group Inc. Certified to ANSI Z21.97-2012 / CSA 2.41-2012, OUTDOOR DECORATIVE GAS APPLIANCE STANDARD

Printed in Canada  
 09/2020