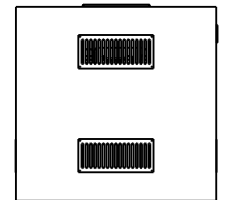
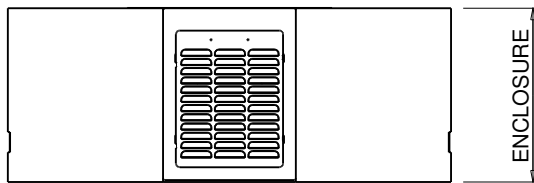
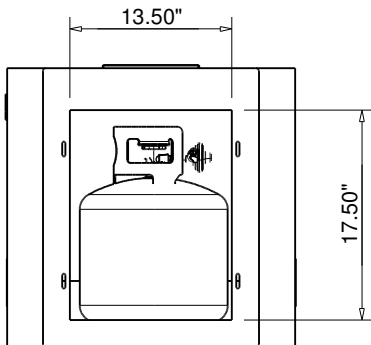
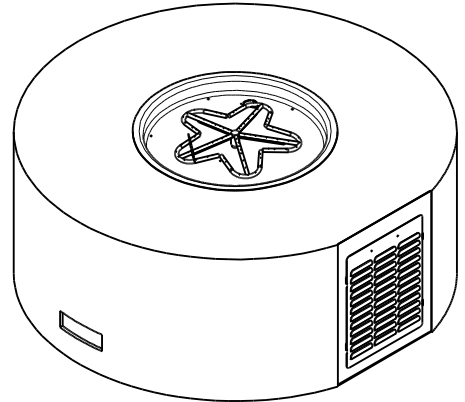
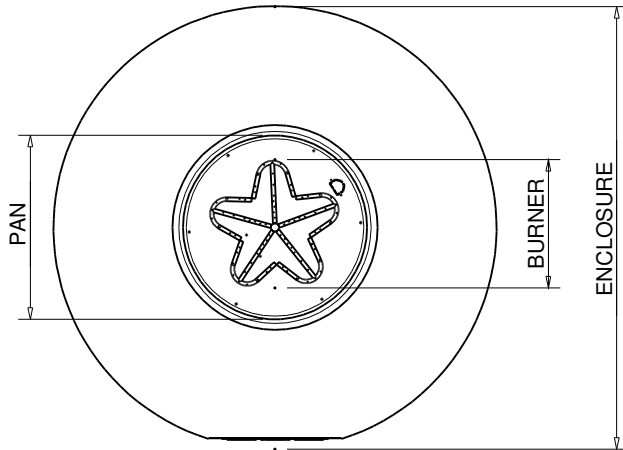




Hearth Products Controls Co
FOR COMMERCIAL AND RESIDENTIAL USE

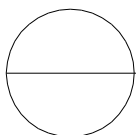
HEARTH PRODUCTS CONTROLS
3050 PLAINFIELD RD.
KETTERING, OH 45432
TOLL FREE: 1-877-433-7001
PHONE: (937) 433-7000
FAX: (937) 433-0704
www.hpcfire.com



MODEL	BTU	DIMENSION CHART		
		ENCLOSURE	PAN	BURNER
UST60R/FPPK25CEK-LP	90k	60X23.5"	25"	18"
UST60R/MLFPK25CEK-LP	65k	60X23.5"	25"	18"

Notes:

- PROPER VENTING
 - ENCLOSURES: Recommend 4 each 18 sq.in. vents
- GAS SUPPLY - FOR USE WITH SMALL TANKS.
 - LP Gas: Operating Supply Pressure: Minimum: 10.0" W.C.; Maximum: 11.0" W.C.
- MODIFICATION OF PRODUCT WILL VOID ANY CERTIFICATION AND WARRANTY.
- FOLLOW ALL MANUFACTURER INSTALLATION INSTRUCTIONS AND LOCAL CODES.
- ALL DIMENSIONS ARE CONSIDERED TRUE AND REFLECT MANUFACTURER'S SPECIFICATIONS AS OF THE REVISION DATE.
- DO NOT SCALE DRAWING.
- THESE DRAWINGS ARE FOR SIZING AND PLANNING PURPOSES. ALL INFORMATION CONTAINED HEREIN WAS CURRENT AT THE TIME OF DEVELOPMENT. THE MANUFACTURER'S RESPONSIBLE FOR THE ACCURACY OF THE DRAWING.
- CONTRACTOR'S NOTE: FOR PRODUCT AND COMPANY INFORMATION VISIT www.CADdetails.com/info REFERENCE NUMBER 771-043.



READY TO FINISH ROUND SMALL TANK SERIES