

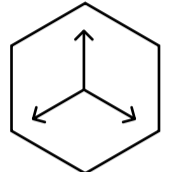
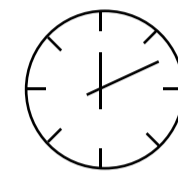
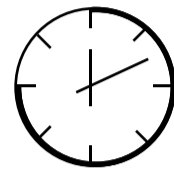
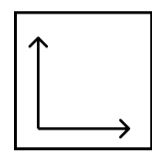
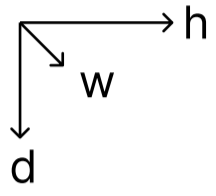
# Free Standing Collection Rogue 2.0 SS



## Included Accessories



# Free Standing Collection Rogue 2.0 SS



Dimensions H x W x D mm/in	Fuel Capacity	Heats on Average (indoors)	Fuel Consumption	Thermal Output Net (MAX)	Approx. Burn Time	Minimum Room Size (per burner)
701 x 914 x 503 27.6 x 36 x 19.8	3.5L	Over 69m <sup>2</sup> [742 ft <sup>2</sup> ]	0.27L per hour	17,000 BTU/h 5.0 Kw	13 hours	150 sq. ft.

## Awards

2010 Winner Outdoor Hearth Products  
Vesta Awards

## Application

Indoor & Outdoor

## Burner Size

16" Burner

## Materials

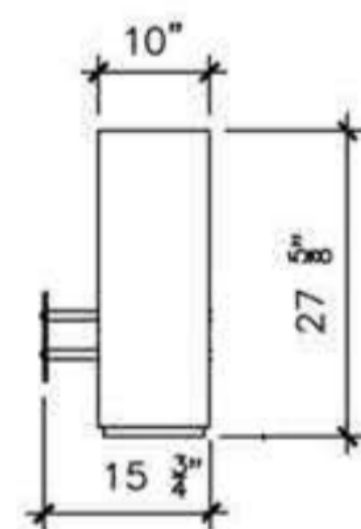
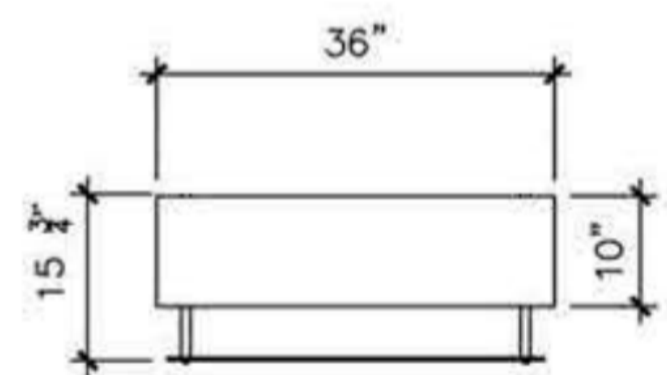
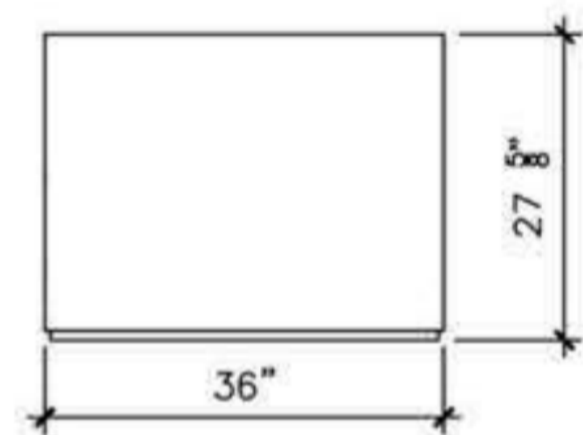
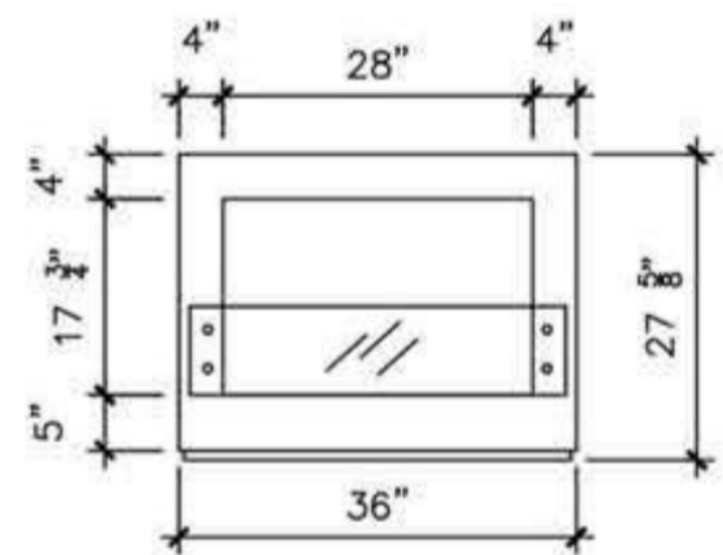
Stainless Steel Firebox Construction  
Brushed Stainless Steel Interior  
8mm Tempered Glass

## Approx. Weight

55 lbs

## Fuel Type

Bio Ethanol Fuel



Global Compliance  
All burners are UL Listed in accordance with ANSI/  
UL1370 in the USA and comply with the ACCC Safety  
Mandate for Australia.



Lifetime Warranty

**FOR MORE INFORMATION PLEASE REFERENCE THE CLEARANCE & INSTALLATION MANUAL**

\*Dimensions may vary by 2% (plus or minus) due to material attributes. Template not provided. The Bio Flame recommends using the actual fireplace or burner model when making final cut out

