



Renaissance
Cooking Systems



Ventilation Hoods

RVH36 / RVH48

Use & Care Manual

Intended for Residential Cooking Only

READ AND SAVE THESE INSTRUCTIONS

Installer: Leave this manual with homeowner.

Homeowner: Use, care, and operation information inside.

This owner's manual was updated April 2022

Table of Contents

Important Safety Instructions.....	1-2
Handling Precautions.....	3
Cleaning and Maintenance.....	3-6
Planning your Location.....	7
Wiring Diagram.....	8
Replacement Part List/Exploded View.....	9-10
Dimensions	11-12
Warranty Information.....	13 -14

All specifications are subject to change without prior notification.

-Important Safety Instructions -

RCS GRILL HOODS ARE FOR RESIDENTIAL USE ONLY!

CAUTION: FOR GENERAL VENTILATION USE ONLY. DO NOT USE TO EXHAUST HAZARDOUS OR EXPLOSIVE MATERIALS OR VAPORS.

RCS models RVH36 and RVH48 in particular, have been constructed and tested to meet the requirements as specified under the International Mechanical Code Section 507.2 – Type I hoods.

These vent hoods must be installed and operated in accordance with the installation instructions and comply with all federal, state and local codes.

For more information, questions or assistance please contact us at: 800.514.7455

1. Use this unit only in the manner intended by the manufacturer manufacturer. (If you have questions, contact RCS at 800.514.7455).
2. Before servicing or cleaning this unit, switch power off at service panel and lock the panel to prevent power from being switched on by accident. If the service panel cannot be locked, securely fasten a prominent warning device, such as a tag, to the service panel.

WARNING: TO REDUCE THE RISK OF RANGE TOP GREASE FIRE, PLEASE OBSERVE THE FOLLOWING:

1. Never leave surface units unattended. Boil-overs can cause smoking and may ignite. Heat oils slowly on low heat.
2. Always turn hood ON five minutes prior to cooking to begin airflow.

3. Clean ventilation filters frequently. DO NOT ALLOW GREASE TO ACCUMULATE ON FAN OR FILTER.
4. Use proper pan size. Always use cookware appropriate for the size of the burner or element.

WARNING - IN THE EVENT OF RANGE GREASE FIRE, OBSERVE THE FOLLOWING:

1. Smother the flames with a close-fitting lid, cooking sheet or other metal tray, and then turn off the burner. BE CAREFUL TO PREVENT BURNS. If the flames do not go out immediately, EVACUATE AND CALL THE FIRE DEPARTMENT.
2. NEVER PICK UP A FLAMING PAN.
3. MAKE SURE YOUR VENTILATION SYSTEM IS COMPLETELY TURNED OFF. DO NOT TURN HOOD ON TO TRY AND EVACUATE SMOKE.
4. DO NOT USE WATER, including wet dishcloths or towels - a violent steam explosion may result.
5. Use an extinguisher only if:
 - a) You know you have a class ABC extinguisher and you already know how to operate it.
 - b) The fire is small and contained in the area where it started.
 - c) The fire department is being called.

- Handling Precautions -

- Remove all rings, watches, belt buckles, jewelry and any clothing with metal buttons or snaps to prevent damage to hood.
- **DO NOT REMOVE HOOD FROM ITS ORIGINAL CARTON UNTIL YOU ARE READY TO INSTALL IT.**
- When you are ready to begin the installation process, remove the hood from its carton and place it on a clean soft blanket.
- Inspect the hood carefully for any damage or imperfections before you begin to install the hood. If any damage or imperfections exist, re-carton the hood and call your dealer IMMEDIATELY. Do not install a damaged hood.
- It is highly recommended that rubber gloves be used to prevent scratches on the hood and to provide you with a firm grip.
- When removing the hood from the carton, locate the filters. The filters are not pre-installed in the hood. **The filters are in a box marked "Filters" inside the hood carton.**
- RVH model hood series can be ducted to the top or the rear. Check product guide for additional transitions, wall caps and roof caps.

- All RCS ventilation hoods have a variable speed control blower switch as well as a light dimmer switch.

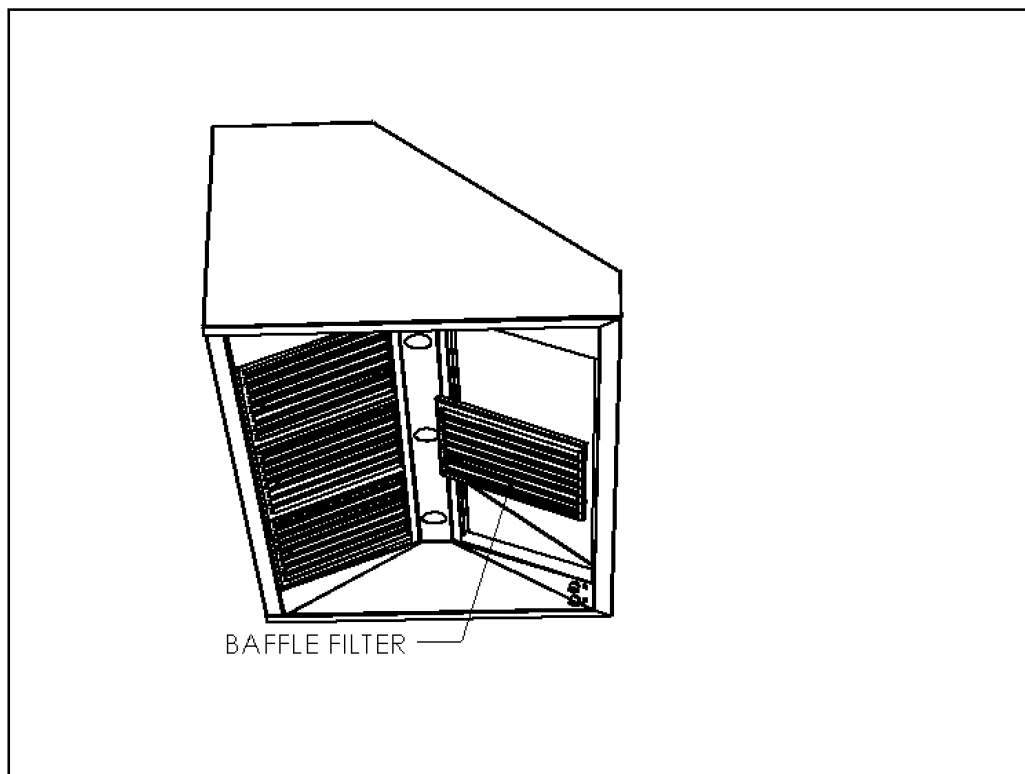
NOTE TO INSTALLER: To avoid damage that will not be covered under warranty make sure blowers are free from obstructions (packing and debris) prior to running the blowers. Test-run blowers before finalizing installation. Check with manufacturer before attempting to use blower systems other than RCS Cooking Systems ® **blower systems.** **(800-514-7455) for technical information.**

Cleaning and Maintenance

Your hood will not function properly if not cleaned regularly and maintained properly. Clean the filters regularly (at least twice a month or every 24 hours of use) by soaking them in soapy water and rinsing them in the dishwasher at the normal cycle. When the filters are removed, the accessible interior of the canopy can be cleaned of grease, again using only soap and water. Burned out halogen light bulbs are exchanged in the same way as normal light bulbs.

They should not be touched with bare hands due to high heat and hand oils that can burn out the bulb. Make sure to replace them with the same type and wattage. (Replacement Halogen bulbs are Par16 60w 115v)

Make it a habit to turn the hood on low speed even when you are only boiling water. The cleaning of the outside of the hood depends on the material used as a decorative exterior. For stainless steel and powder coated metals, clean with soap and water only. **Do not use abrasive or aggressive chemicals!** Check the outside end of the duct at least once a year. If you have an insect screen installed in the duct termination, make sure that it is not broken or dislocated. Filters are dishwasher safe or you may hand wash them with warm soapy water.

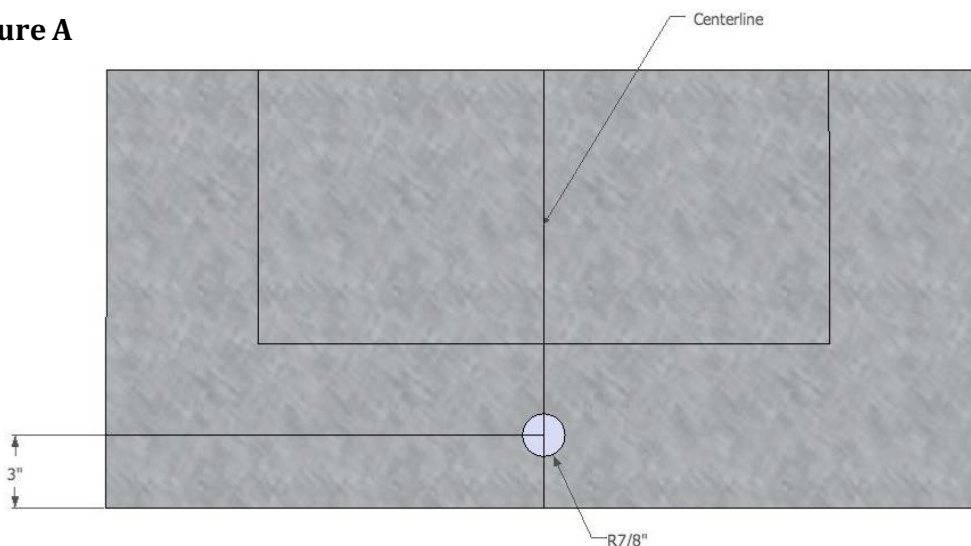


INSPECT ALL MOLDED PACKAGING AND BOXES FOR PARTS BEFORE DISCARDING. ANY DAMAGE MUST BE REPORTED BEFORE INSTALLING THE HOOD. ONCE THE HOOD HAS BEEN INSTALLED, NO RETURN WILL BE ACCEPTED.

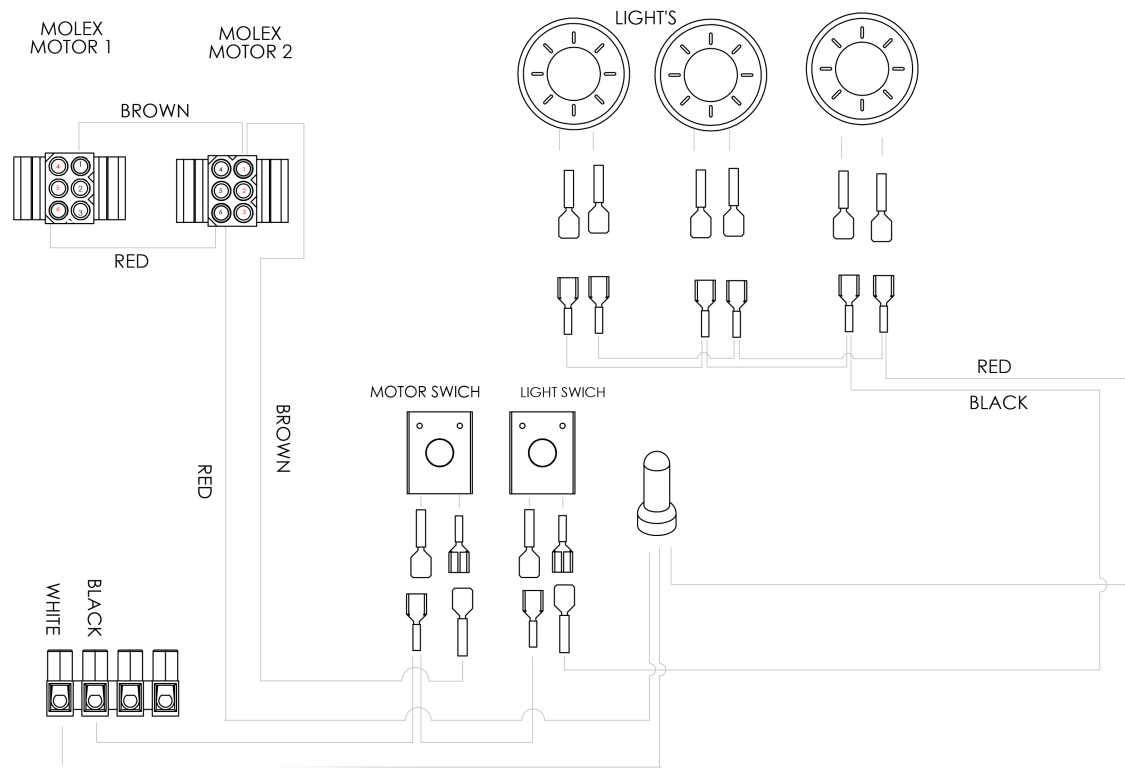
Planning the location for your RCS Grill Hood

Select the proper height to mount the hood. Take into consideration the stature of the person or persons who will be cooking. A height of 30" to 36" above the cooking surface will suit most users. If mounted at a height greater than 36" above the cooking surface, the hood should be at least 6" wider than the cooking appliance to provide a proper capture of heat and grease. (Refer to the range manufacturer's guidelines) Once the proper height is established, draw a level line where the bottom of the hood will rest. If practical, mount a board equal to the width of the hood along the line so you may rest the hood on it while installing. Mark a centerline on the wall equal to the entire height of the hood to assist with the proper duct alignment and hood placement. Determine stud location and mark it clearly. If only one stud can be located, toggle bolts or additional fastening must be installed to firmly secure the hood to the wall. Install a 115v 15amp electrical lead in the hole marked on the rough -in diagram. (Fig. A) The hole is located on the centerline of the hood. The center of the hole is 3" up from the bottom of the hood and the radius is 7/8".

Figure A



Wiring Diagram



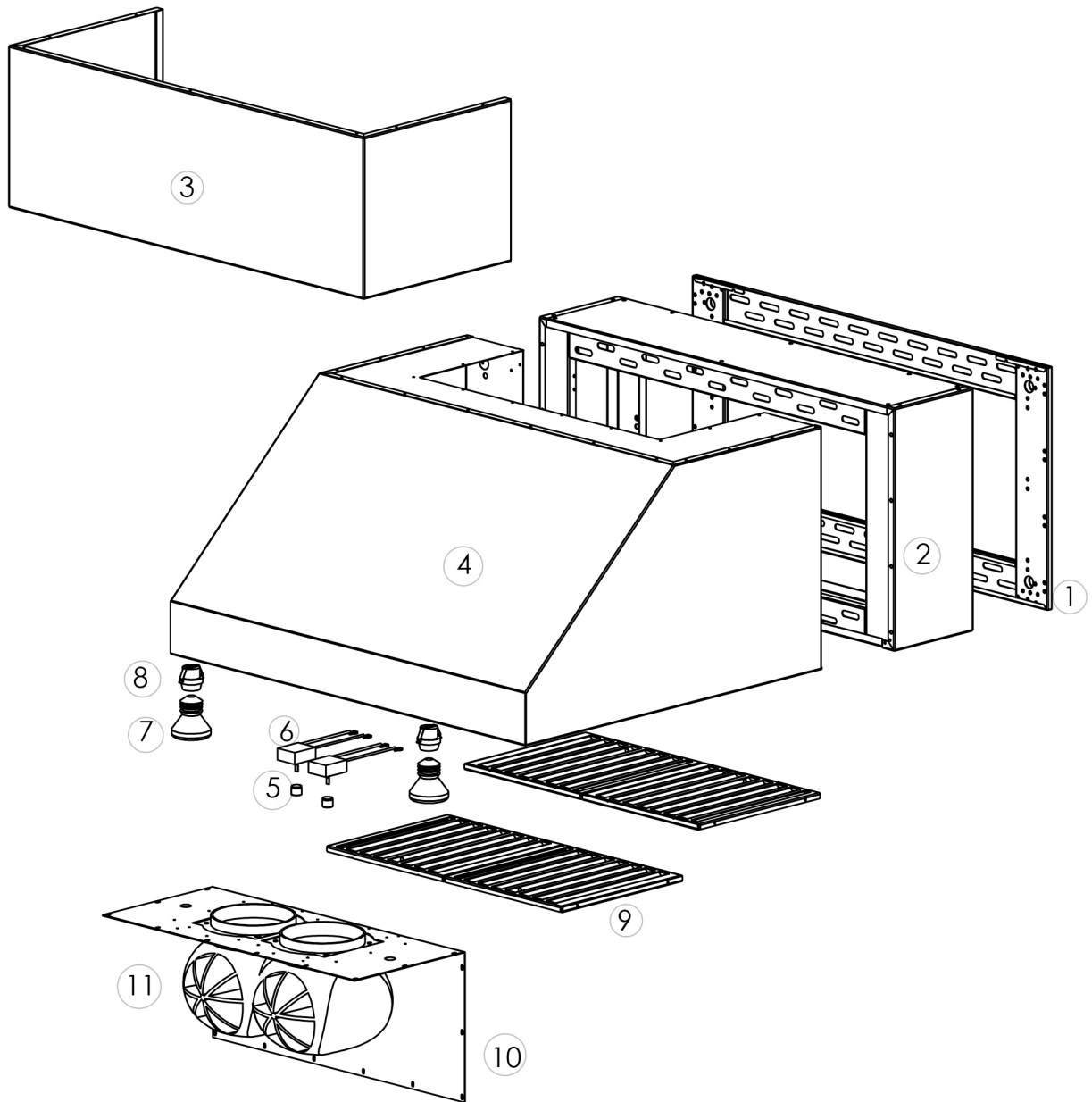
A licensed electrician should make all electrical connections

Connect wires from 115V supply using wire nuts (not supplied). Connect ground lead to supplied ground screw inside the electrical box. Secure cover onto electrical box. Test for proper function.

Replacement Parts List

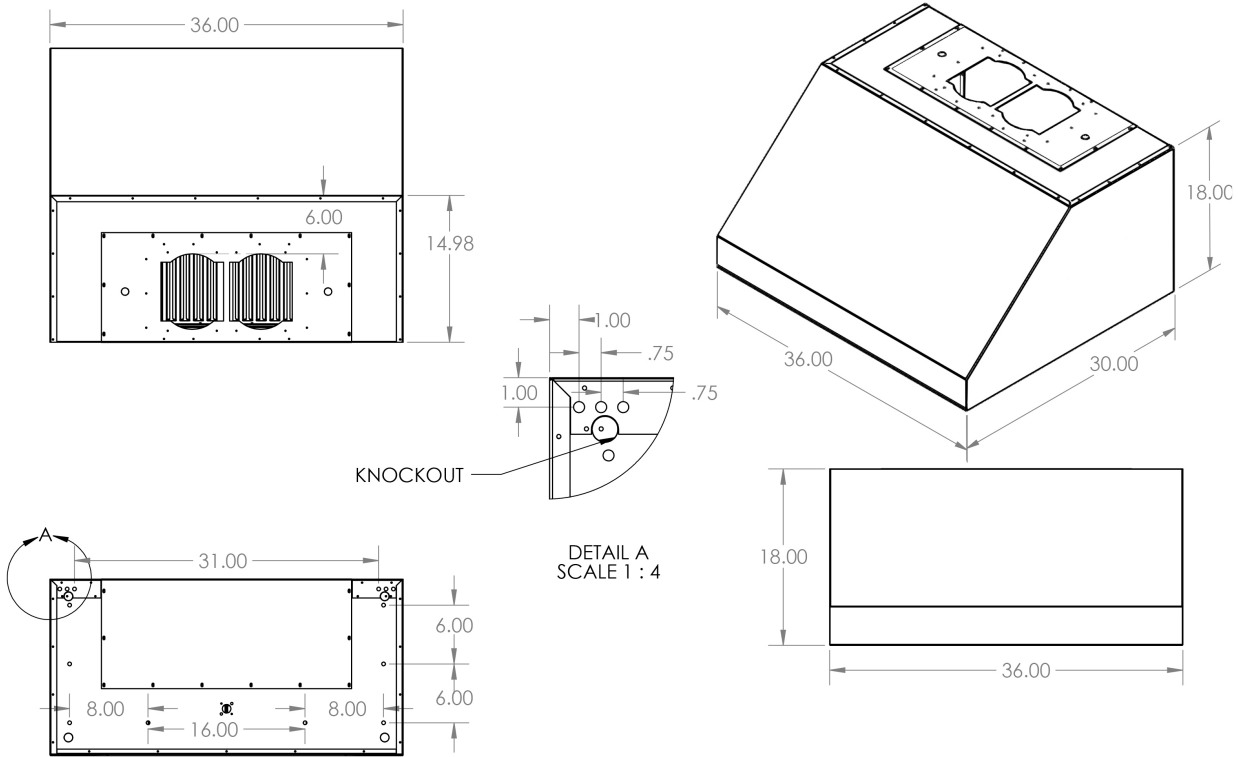
VENT HOOD SERIES REPLACEMENT PARTS LIST					
ITEM #	DESCRIPTION	RVH-36	QTY	RVH-48	QTY
*1	1/2" Mounting Template	RVH36-SPT	1	RVH48-SPT	1
*2	8" Vent Hood Spacer	RV36-SP8	1	RVH48-SP8	1
*3	Vent Hood Duct Cover	RVH36-DC	1	RVH48-DC	1
4	Vent hood Assembly	20158	1	20159	1
5	CONTROL KNOB	10482	2	10482	2
6	VARIABLE SPEED FAN CONTROL	10483	2	10483	2
7	HALOGEN LAMP	10480	2	10480	3
8	PORCELAIN LIGHT SOCKET	10481	2	10481	3
9	Vent Hood Filter	31812	8	31812	12
10	BLOWER PLATE	32035	2	32035	2
11	BLOWER, MOTOR	10521	2	10521	2
*NOT SHOWN	4" Vent Hood Spacer	RVH36-SP4	1	RVH48-SP4	1
NOT SHOWN	Vent Hood Motor Cover	31803	1	31803	1
NOT SHOWN	WIRE HARNESS, BLOWER	10589	1	10589	1
NOT SHOWN	WIRING HARNESS KIT	10531	1	10532	1
	* sold as an accesory item				

Exploded View (Some items shown are optional)

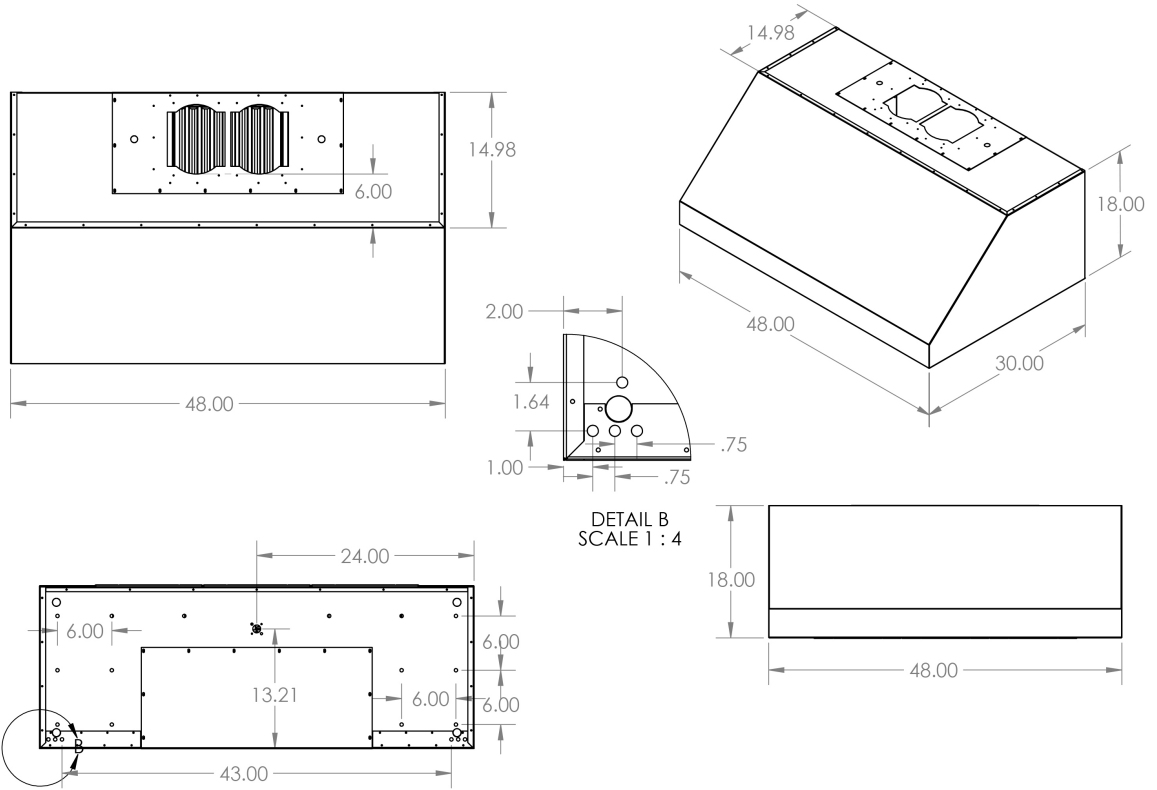


Dimensions

RVH36



RVH48



Warranty Information

RCS will warranty all parts for the term of one (1) year. The one (1) year warranty period applies to the actual parts.

RCS Cooking Systems Warranty is valid for original purchaser at original site of delivery with proof of purchase and photo documentation only.

Warranty is void upon transfer of ownership.

Warranty does not apply to products installed in any commercial, rental, or non-residential application.

Warranty covers replacement parts only.

Manufacturer is not responsible for labor or labor related costs. Warranty does not cover discoloration, surface rust, corrosion, or oxidation which may occur due to harsh environments, chemicals, or overheating. Warranty will not apply for damage resulting from improper installations, abuse, extreme environments, grease fires, or misuse. Regular and proper maintenance is required. Rust and deterioration due to coastal, humid, and/or salt environments are subject to manufacturer review.

All out-of-box claims must be made within 30 days of purchase and must be made prior to installation.

Any product installed damaged will be considered damaged during installation and not covered under warranty.

Warranty and registration forms are available at www.RCSGasGrills.com.

What is not covered?

Items not covered in the warranty include: halogen bulb, items fabricated to customer design, consequential damage, removal and re-installation.

For any questions or concerns please contact the following:

Renaissance Cooking Systems
18700 Carrot St
Spring, TX 77379
www.RCSGasGrills.com
800.514.7455

All specifications are subject to change without prior notification.