

# EVERWARM®

warming from the inside out

*An Exclusive CUI Product Line.*



## EWVF36 Vent Free Firebox

We are excited to introduce the latest addition to the EverWarm® line of products, the EWVF36 Vent Free Firebox. Louverless design with larger viewing area puts the focus on the fire. Less exposed metal on the fireplace face allows for a clean premium appearance and easy application of finish materials.

### EWVF36

#### Vent Free Firebox & Accessories

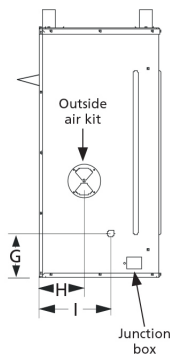
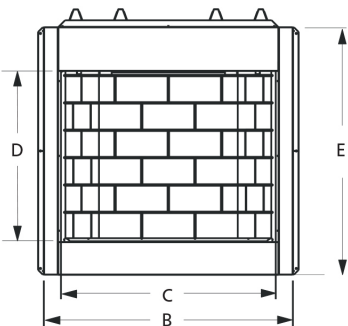
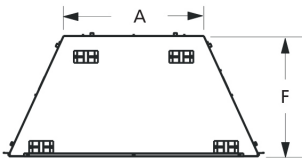
Model #	Description
EWVF36	36" Vent Free Firebox
FBK100	Blower
JBK	Junction Box Kit

### Standard Features:

- Traditional pattern brick liner (back and sides) offers custom masonry look
- Charcoal finish canopy
- Mesh draw screens
- Durable charcoal powder coat finish
- Easy gas line access with knockouts on both sides

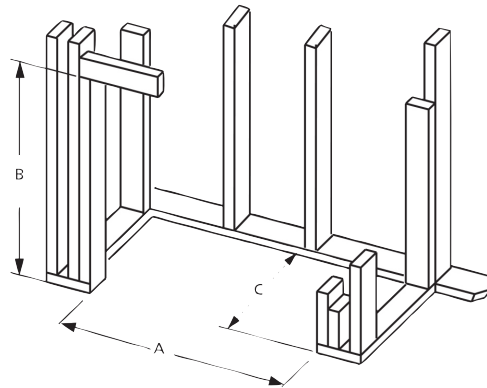
### APPLIANCE SPECIFICATIONS

Opening	EWVF36
A	23-1/2"
B	41-3/4"
C	36"
D	24"
E	37-1/4"
F	20"
G	7-3/8"
H	7-1/2"
I	11-15/16"



### FRAMING SPECIFICATIONS

Opening	EWVF36
A	42-1/4"
B	40-1/4"
C	20-1/2"



EVERWARM®  
warming from the inside out