

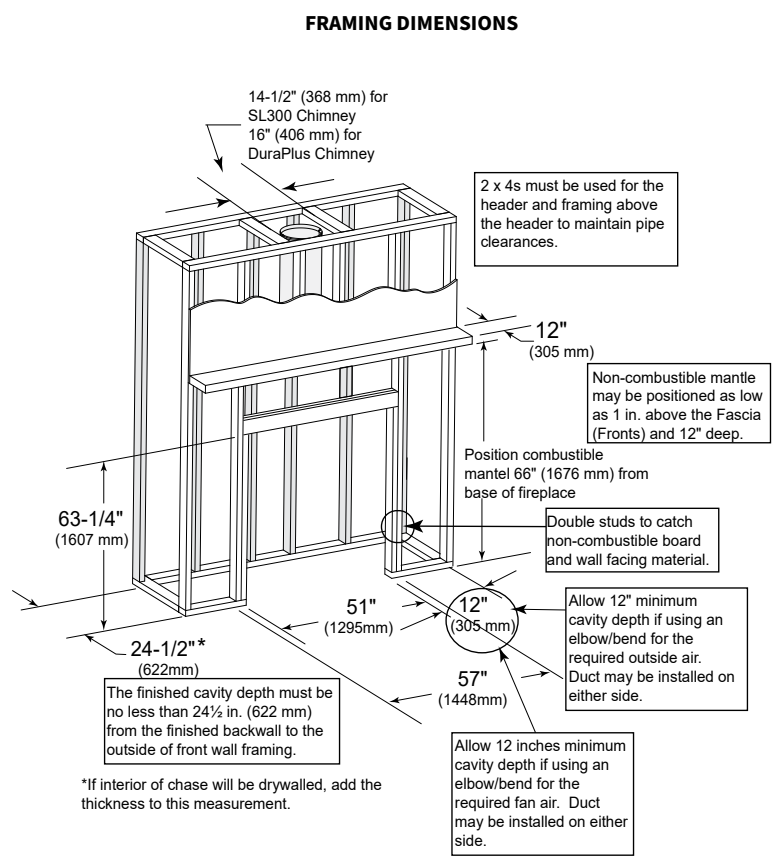
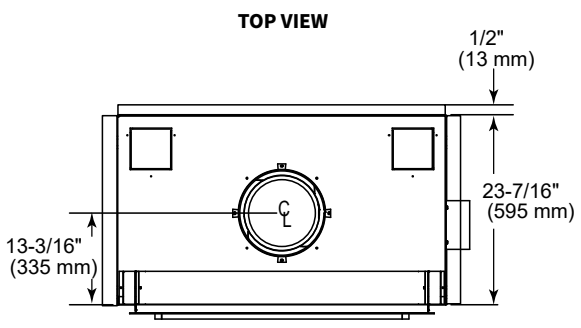
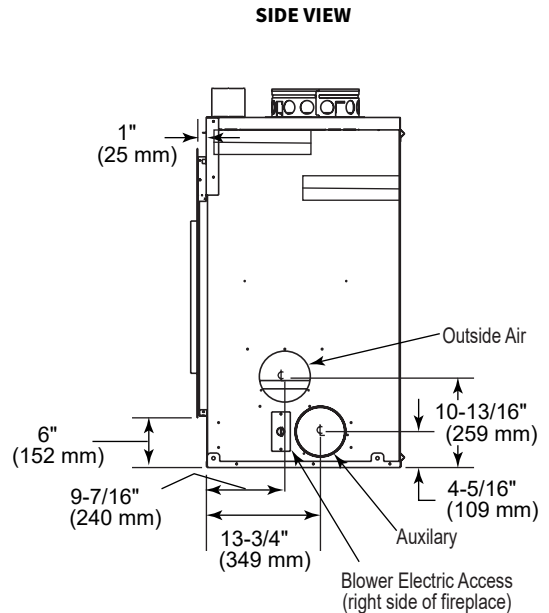
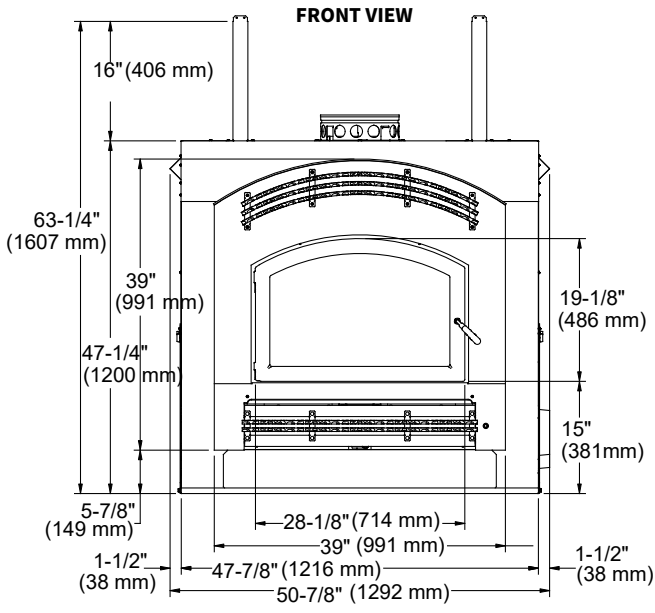
# MAJESTIC

Please consult the manufacturer's installation manual for all details and requirements before making a final design layout decision.

## Pioneer III EPA Wood-burning Fireplace



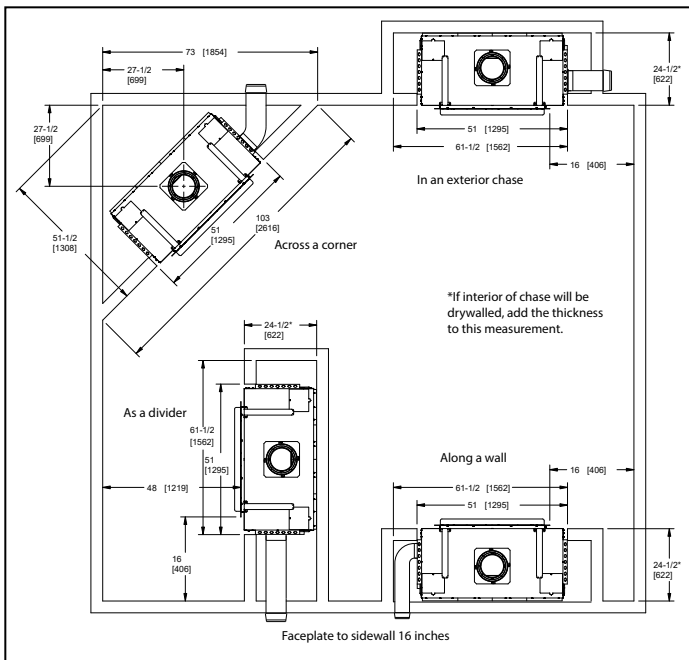
MODEL	FRONT WIDTH		BACK WIDTH		HEIGHT		DEPTH		VIEWING AREA
	Actual	Framing	Actual	Framing	Actual	Framing	Actual	Framing	
Pioneer III	47-7/8"	51"	47-7/8"	51"	47-1/4"	63-1/4"	23-1/2"	24-1/2"	341 sq in



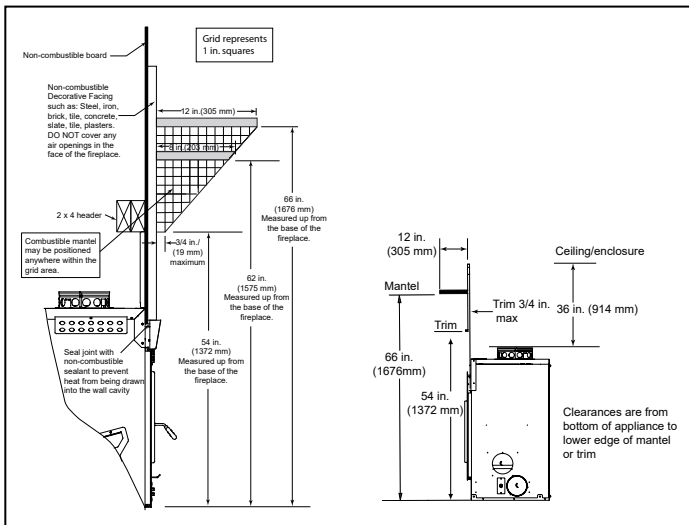
**NOTE**  
The Pioneer III EPA wood fireplace utilizes HHT's SL300 series pipe which has a 10" outer dimension and an 8" inner dimension. Duraplus 8" pipe, which has a 12" outer dimension and an 8" inner dimension, can also be used. Duraplus pipe requires a new starting collar.

\*If interior of chase will be drywalled, add the thickness to this measurement.

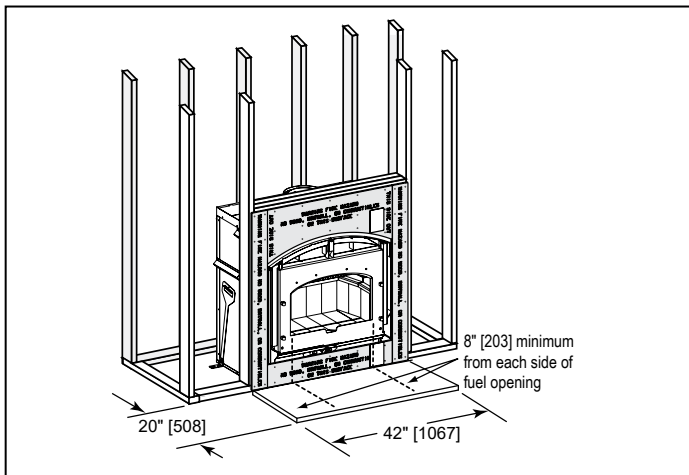
### APPLIANCE LOCATION



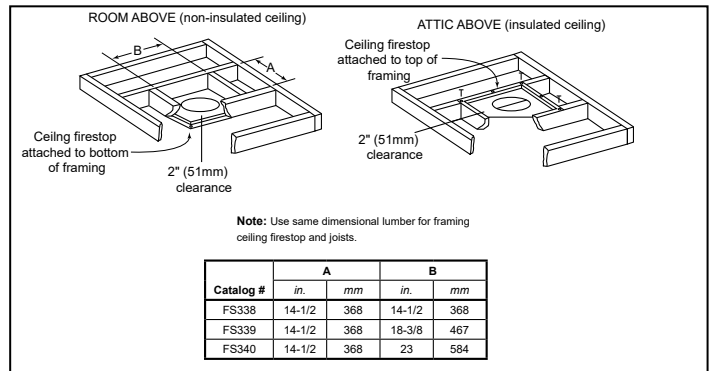
### MANTEL PROJECTIONS



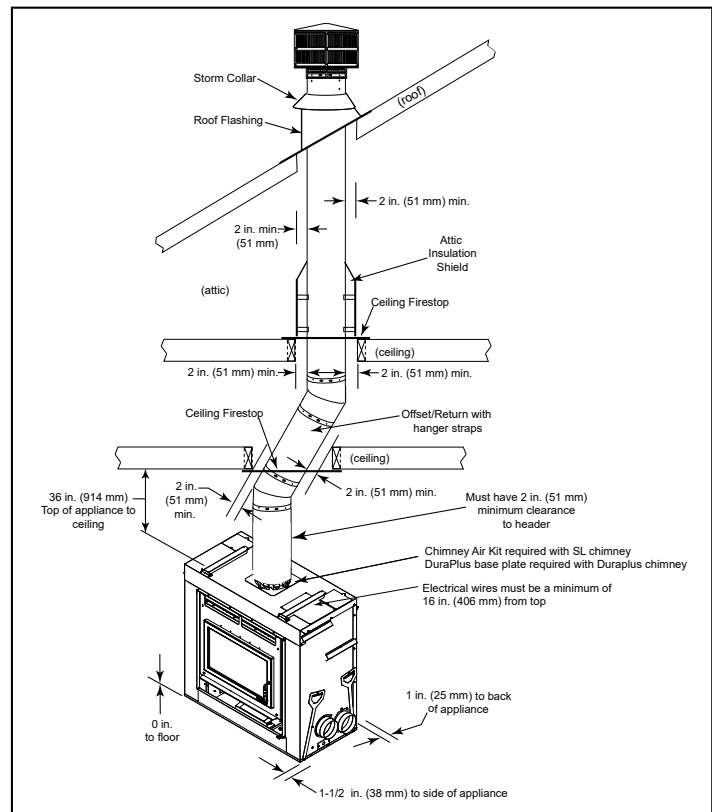
### HEARTH EXTENTIONS



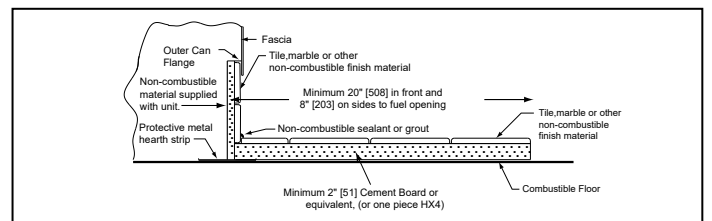
### CEILING FIRESTOP INSTALLATION



### CLEARANCE TO COMBUSTIBLES



### HEARTH EXTENTION CONSTRUCTION



PRODUCT LISTING CODES	
US	UL 127-2011 (UM) 84-HUD
Canada	ULC-S610-2018 CSA-B365

Product information provided is not complete and is subject to change without notice. Product installation must adhere strictly to instructions accompanying product to avoid risk of fire and potential injury.

Additional information can be found online at [www.majesticproducts.com](http://www.majesticproducts.com)