



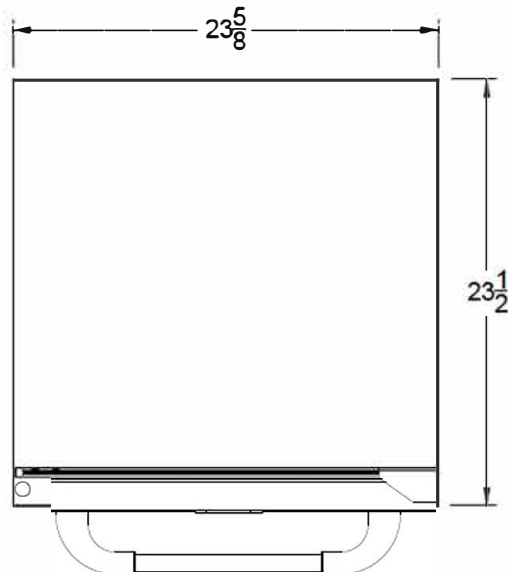
WWW.BULLBBQ.COM

**SPEC SHEET OUTLINE**

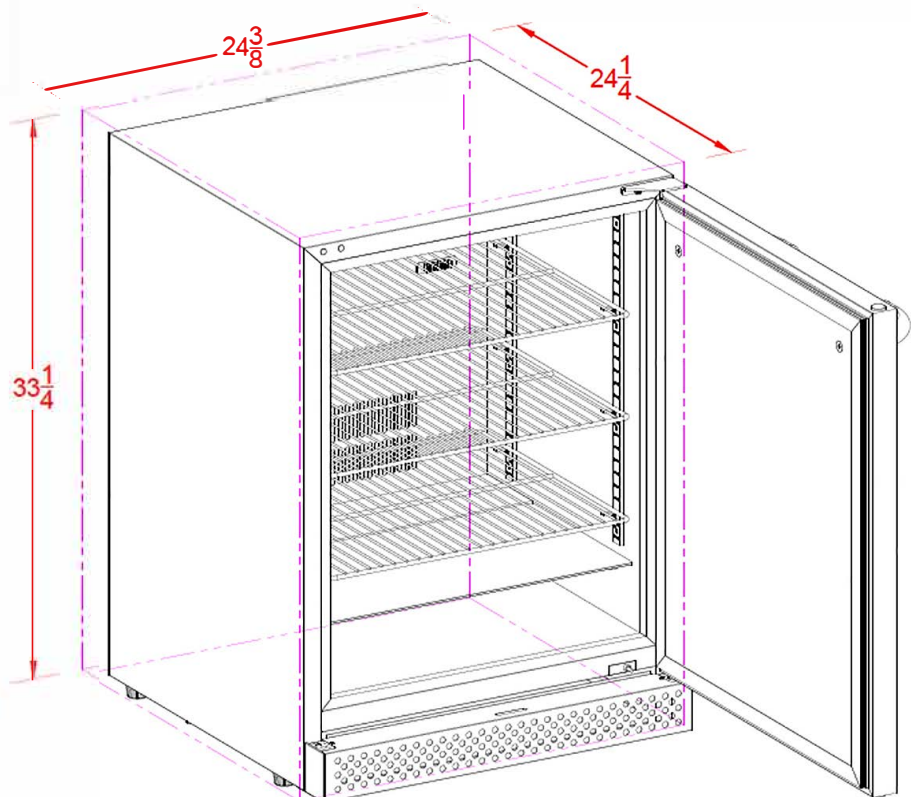
ITEM# 13700

DESCRIPTION -

PREMIUM OUTDOOR  
REFRIGERATOR SERIES II

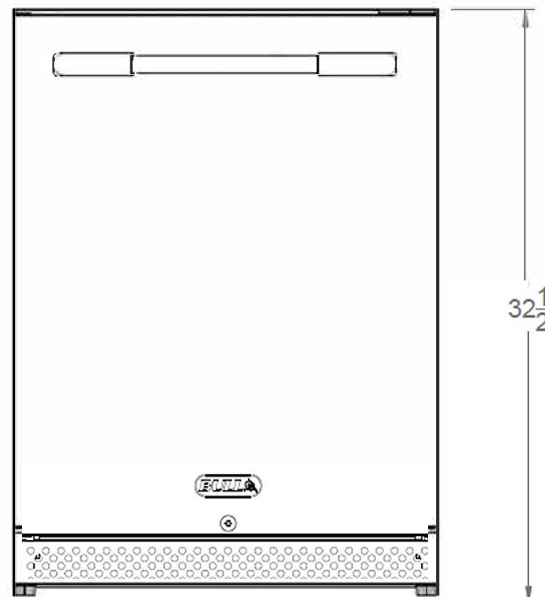


**TOP VIEW**

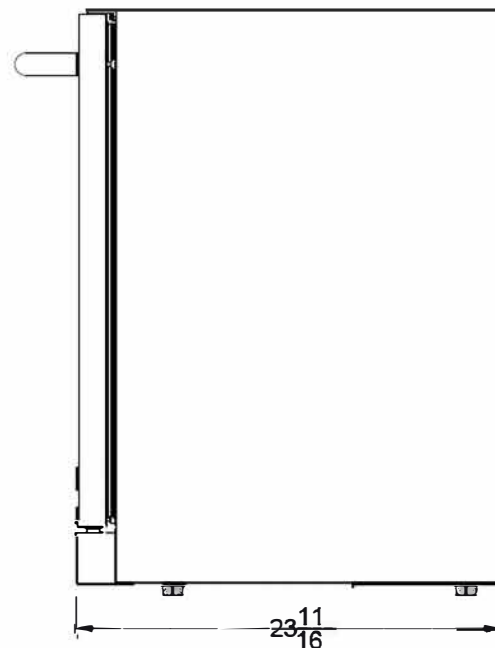


**PERSPECTIVE VIEW**

WITH INSTALLATION  
CUT OUT DIMENSIONS



**FRONT VIEW**



**RIGHT SIDE VIEW**

**NOTES:**

- 1) FOR TRIM KIT FINISH FRAME USE ITEM #13900
- 2) ALL DIMENSIONS ARE IN INCH UNITS
- 3) REFER TO PERSPECTIVE VIEW FOR INSTALLATION CUTOUT DIMENSIONS.