

# INSTALLATION INSTRUCTIONS GAS CONVERSION KIT

## FOR USE WITH OUTDOOR LINEAR FIREPIT MODELS

37991 GAS CONVERSION KIT LP TO NAT (OL48TP)

37992 GAS CONVERSION KIT NAT TO LP (OL48TP)

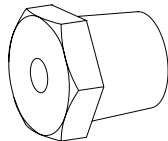
37993 GAS CONVERSION KIT LP TO NAT (OL60TP)

37994 GAS CONVERSION KIT NAT TO LP (OL60TP)

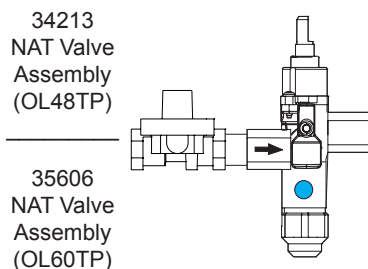
### TOOLS NEEDED:

- 5/16" Hex Head Driver
- 11/16" Wrench
- 7/8" Wrench
- 13/16" Wrench
- 5/8" Wrench (two needed)
- 3/8" Wrench
- Small Phillips Screw Driver

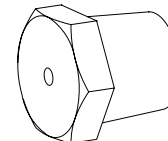
### NAT CONVERSION KIT CONTENTS:



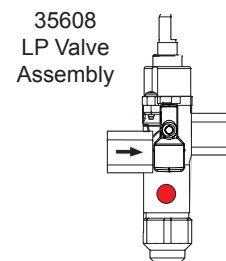
MODEL	PART NO.	NAT ORIFICE
OL48TP	P282	NO. 24 Drill
OL60TP	P325	NO. 12 Drill



### LP CONVERSION KIT CONTENTS:



MODEL	PART NO.	LPG ORIFICE
OL48TP	P181	NO. 43 Drill
OL60TP	P256	NO. 41 Drill



### ⚠ WARNING

This conversion kit is to be installed by an Empire Comfort Systems, Inc. dealer (or other qualified agency<sup>1</sup>)\* in accordance with the manufacturer's instructions and all codes and requirements of the authority having jurisdiction. Failure to follow instructions could result in serious injury or property damage. The qualified agency performing this work assumes responsibility for this conversion.

<sup>1</sup> National Fuel Gas Code Z223.1 (Latest Edition), Natural Gas and Propane Installation Code, CSA B149.1

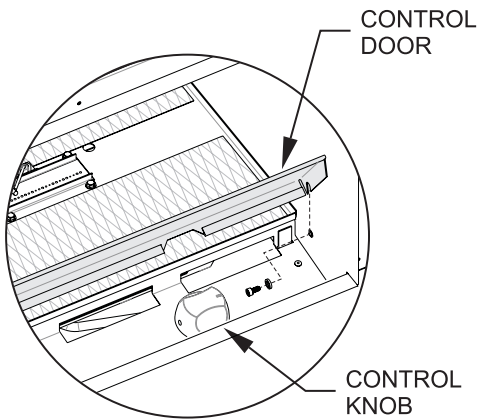
\*The term "qualified agency" means any individual, firm, corporation or company which either in person or through a representative is engaged in and is responsible for (a) the installation of gas piping or (b) the connection, installation repair, or servicing of equipment, who is experienced in such work, familiar with all precautions required, and has complied with all the requirements of the authority having jurisdiction.

### CHECK SAFETY SHUTDOWN PERFORMANCE

### ⚠ WARNING

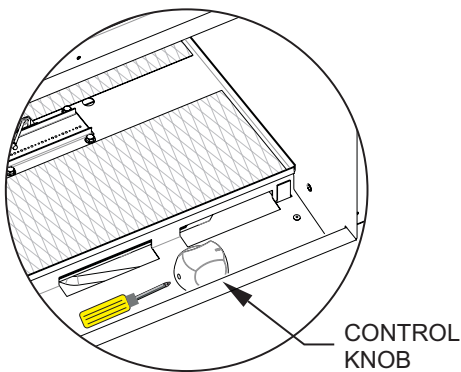
Perform the safety shutdown test any time work is done on a gas system to avoid the possibility of fire or explosion with property damage, personal injury or loss of life.

1. Turn off main gas supply to the firepit.
2. To install the conversion kit, the burner assembly must be tilted upward in the firepit. To lift the burner assembly, remove the control door by opening the door and lift it upward to disengage the slots on the door from the two end pivot bolts. Remove the two control door pivot bolts and washers. **See Figure 1.**



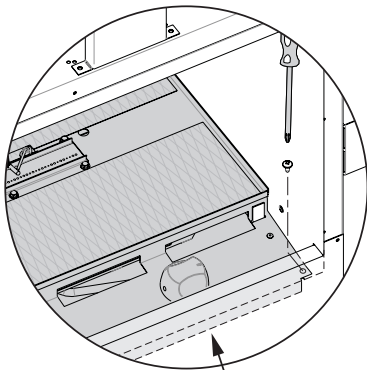
**Figure 1**

3. To remove the control knob, insert the small phillips screw driver into the hole on the base of the knob. Rotate the screwdriver counterclockwise to loosen the set-screw. Lift the knob off of the valve stem. **See Figure 2.**



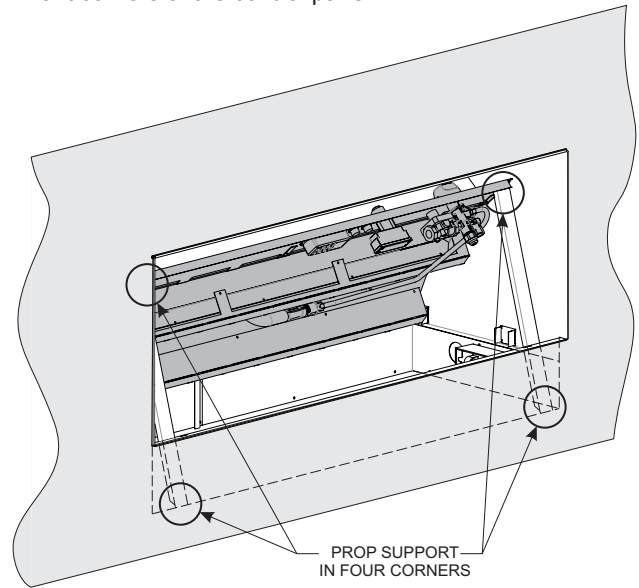
**Figure 2**

4. Remove two screws from front corners of the control panel with a 5/16" hex head driver. **See Figure 3.**



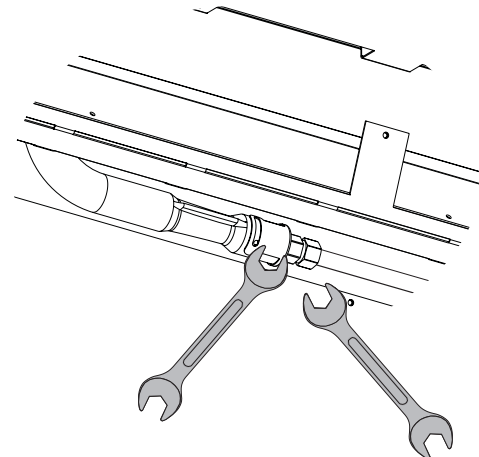
**Figure 3**

5. Lift front of burner assembly and tilt upwards and toward the back of the firepit. Retrieve the two supports from inside the firepit and place one on each end of the burner assembly against the front corners of the cabinet bottom and under the front corners of the control panel. **See Figure 4.**



**Figure 4**

6. Use two 5/8" wrenches to disconnect the supply line from the orifice holder. **See Figure 5.**



**Figure 5**

7. Thread out the orifice holder from the air shutter. Use a 5/8" wrench and the 3/8" wrench to remove and replace with the new orifice. **See Table 1.**

MODEL NO.	GAS TYPE	PART NO.	ORIFICE SIZE
OL48TP	NAT	P282	NO. 24
	LP	P181	NO. 43
OL60TP	NAT	P325	NO. 12
	LP	P256	NO. 41

**Table 1**

8. Set the air shutter opening by loosening the shutter screw with the phillips screw driver. Rotate the shutter to the desired opening (**See Figure 6**) and tighten the shutter screw. Verify the opening measurement.

MODEL NO.	GAS TYPE	AIR SHUTTER SETTING
OL(48,60)TP(10,18)N	NAT	1/16 in Open
OL48TP(10,18)P	LP	3/8 in Open
OL60TP(10,18)P	LP	Fully Open

### AIR SHUTTER GAP SETTING

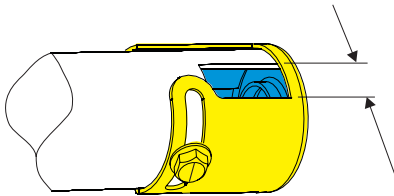


Figure 6

9. Reinstall the orifice and holder into the air shutter. Thread down until it stops and then back off 1/2 turn. Reattach the supply tube to the orifice holder and tighten with two 5/8" wrenches.
10. Using a 5/8" wrench and the 11/16" wrench, disconnect the supply tube from the gas valve. **See Figure 7.**

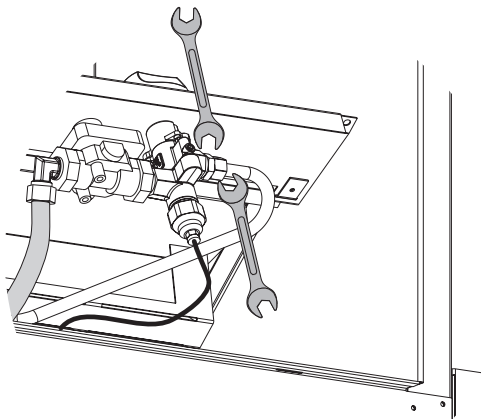


Figure 7

11. Use the appropriate wrench to disconnect the gas flex line from the gas valve. **See Figure 8.**

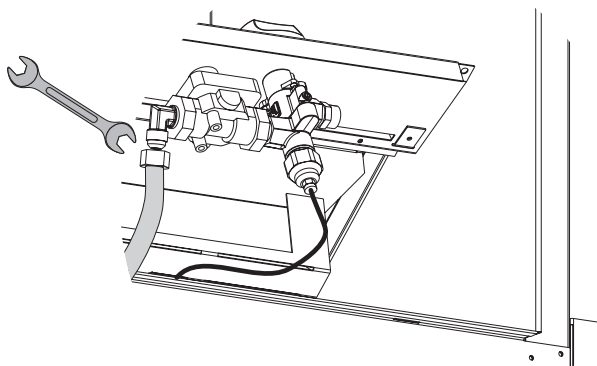


Figure 8

12. Use the 3/8" wrench to disconnect the thermocouple wire from the bottom of the gas valve. **See Figure 9.**

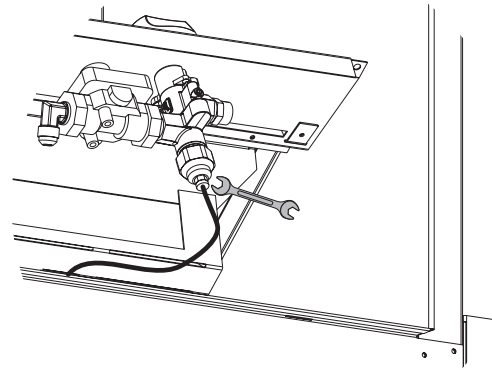


Figure 9

13. Hold the gas valve and use the 13/16" wrench to remove the nut on the valve system. **See Figure 10.** Remove the gas valve assembly from the firepit.

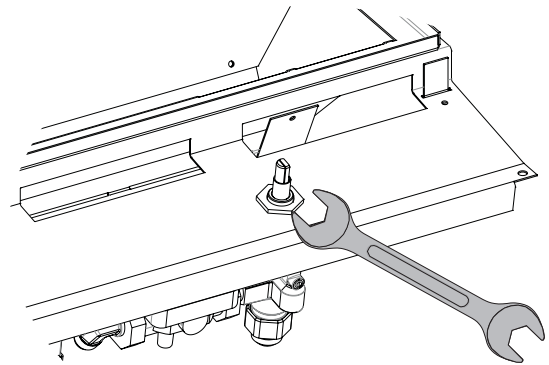


Figure 10

14. Install the replacement gas valve into the fireplace. **See Figure 11** for gas type identification. Secure in place with the jamb nut removed in step 13.

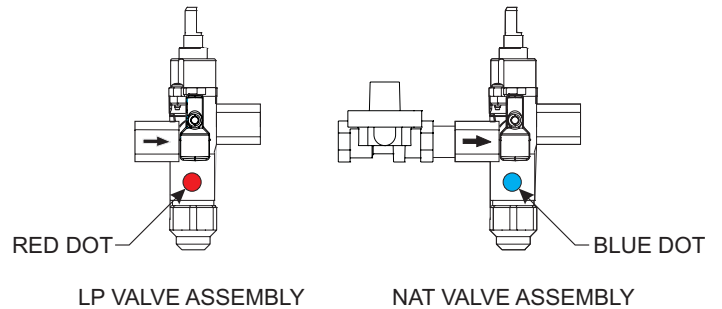


Figure 11

**NOTE:** Nat gas valve are equipped with a pressure regulator. LP gas valves require an external regulator to be supplied by the installer.

#### **⚠ WARNING**

**Connection directly to an unregulated LP tank can cause an explosion.**

15. Connect the inlet flex line and outlet supply lines to the new gas valve assembly.
16. Connect the thermocouple to the bottom of the gas valve. Tighten by hand then 1/4 turn past finger tight. Do not over-tighten.
17. Place the control knob on the gas valve stem and tighten the set screw to secure the knob.
18. Once all of the gas line connections are made, turn the main gas supply on and check the system for leaks using a leak detection solution. When done, rinse the leak detection solution off of all parts.

**⚠ WARNING**

**NEVER use flame to check for gas leaks. This may cause an explosion.**

19. Turn the firepit control knob to the "PILOT" position. Apply the leak detection solution to the supply tubing at the gas valve and the orifice holder. Depress the control knob to check the supply tube connection for leaks.
20. Refer to the firepit installation instructions to complete installation of the firepit.



SINCE 1932

[www.empirecomfort.com](http://www.empirecomfort.com)

**Empire Comfort Systems Inc.  
Belleville, IL**

If you have a general question about our products, please e-mail us at [info@empirecomfort.com](mailto:info@empirecomfort.com).

If you have a service or repair question, please contact your dealer.