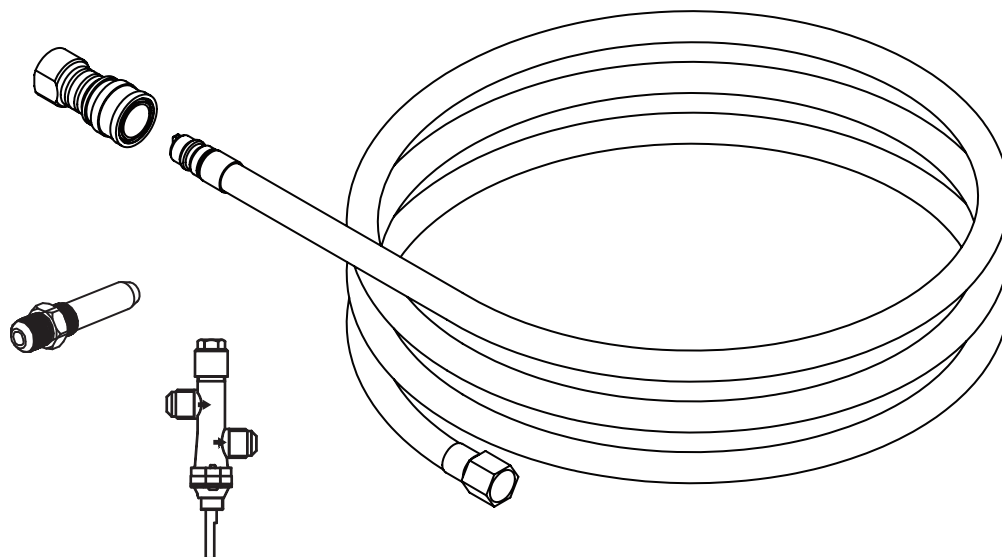


# ELEMENTI

## THE ART OF FIRE



### Natural Gas Conversion Kit

OCK45-NG01



#### IMPORTANT

INSTALLER:

Leave this manual with the appliance.

CONSUMER:

Retain this manual for future reference.



#### DANGER

##### FIRE OR EXPLOSION HAZARD

If you smell gas:

- Shut off gas to the appliance.
- Extinguish any open flame.
- If odor continues, leave the area immediately.
- After leaving the area, call your gas supplier or fire department.

Failure to follow these instructions could result in fire or explosion, which could cause property damage, personal injury, or death.



#### WARNING

This conversion kit shall be installed by a qualified service agency in accordance with the manufacturer's instructions and all applicable codes and requirements of the Authority Having Jurisdiction. If the information in these instructions is not followed exactly, a fire, explosion or production of carbon monoxide may result causing property damage, personal injury or loss of life. The qualified service agency is responsible for the proper installation of this kit. The installation is not proper and complete until the operation of the converted appliance is checked as specified in the manufacturer's instructions supplied with the kit.






Contact Elementi for Technical Support.

Customer Service: **800-678-7294**

# TABLE OF CONTENTS

Important Safety Information -----	3
Parts List -----	7
Natural Gas Conversion Instruction-----	12
Leakage Test -----	13
Lighting Instructions -----	14

 <b>DANGER</b>	<b>CARBON MONOXIDE HAZARD</b>
	<p>This appliance can produce carbon monoxide which has no odor.</p> <p>Using it in an enclosed space can kill you.</p> <p>Never use this appliance in an enclosed space such as a camper, tent, car or home.</p>

 <b>WARNING:</b> This product can expose you to Carbon monoxide, which is known to the State of California to cause birth defects or other reproductive harm. For more information go to <a href="http://www.P65Warnings.ca.gov">www.P65Warnings.ca.gov</a> .
--

# IMPORTANT SAFETY INFORMATION



**WARNING** FIRE TABLE IS FOR OUTDOOR USE ONLY

## IF YOU SMELL GAS

- Shut off gas supply to the fire table.
- Extinguish any open flame.
- Do not try lighting any appliance.
- Do not touch any electrical switch; do not use any phone in your building.
- Immediately call your gas supplier from a neighbor's phone.
- Follow the gas supplier's instructions.
- If you cannot reach your gas supplier, call the fire department.

Installation and repair should be done by a qualified service person. The appliance should be inspected before use and at least annually by a qualified service person. More frequent cleaning may be required as necessary. It is imperative that the control compartment, burners, and circulating air passageways of the appliance are kept clean.

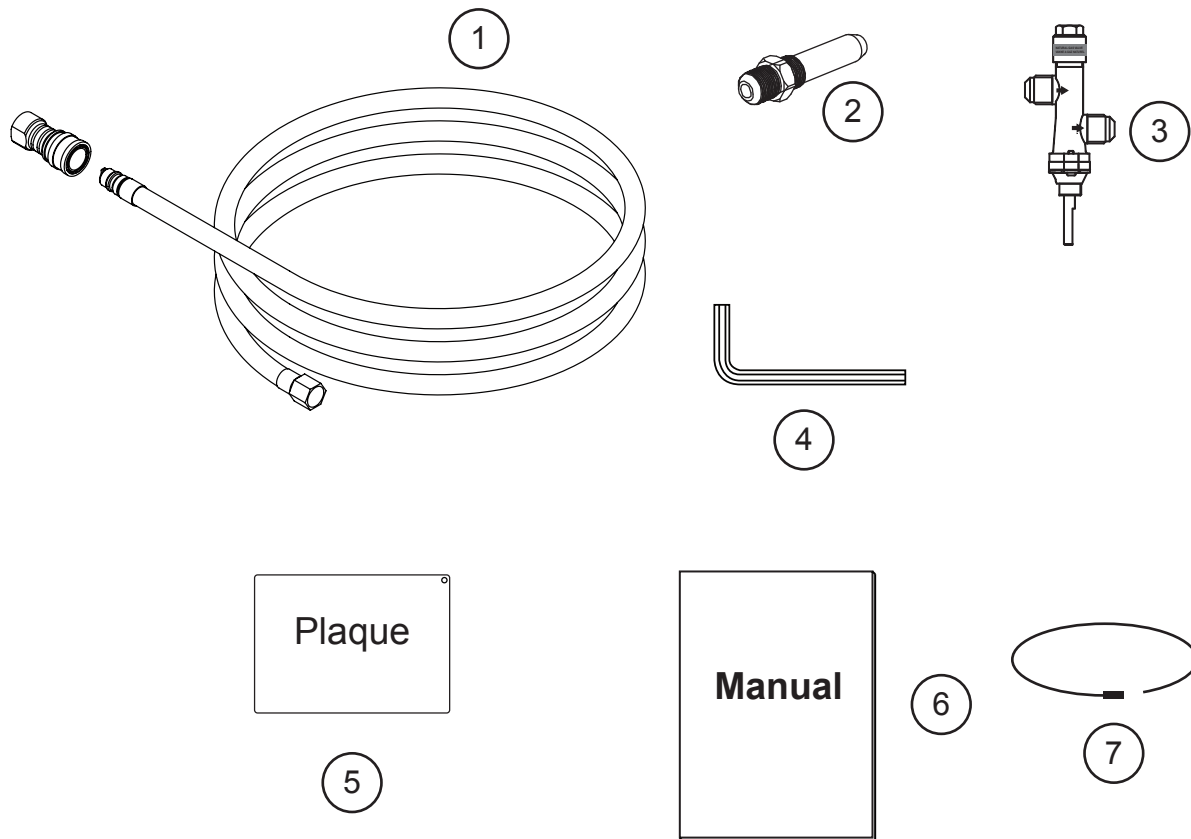
- **WARNING:** Installation and service must be performed by a qualified installer, service agency or gas supplier.
- **WARNING:** Failure to follow with the safety warnings and precautions in this manual may result in serious bodily injury or death, a fire or an explosion causing damage to property.
- **IMPORTANT NOTICE:** Read and understand all warnings and precautions prior to assembly and use your gas fire table. Improper installation, adjustment, alteration, service or maintenance can cause injury or property damage.



This conversion kit is for changing a liquefied Petroleum(LP) fire table into a Natural Gas Fire Table.

# PARTS LIST

- 1, Natural Gas Hose and Quick Disconnect x 1 pc
- 2, Natural Gas Orifice 3.71mm x 1 pc
- 3, Natural Gas Valve x 1 pc
- 4, Hexagon screwdriver( for knob use) x 1 pc
- 5, Natural Gas Conversion Plaque x 1 pc
- 6, Natural Gas Conversion Kit Manual x 1 pc
- 7, Cable Kit x 1 pc



## Applicable Model:

2 pieces Bellows Models	<b>OFG101LP</b>	<b>OFG103LP</b>	<b>OFG104LP</b>	<b>OFG105LP</b>	<b>OFG110LP</b>	<b>OFG145LP</b>
	<b>OFG121LP</b>	<b>OFG126LP</b>	<b>OFG127LP</b>	<b>OFG128LP</b>	<b>OFG139LP</b>	<b>OFG147LP</b>
1 piece Bellows Models	<b>OFH101LP</b>	<b>OFH103LP</b>	<b>OFG201LP</b>	<b>OFM103LP</b>	<b>OFM104LP</b>	<b>OFM106LP</b>

# NATURAL GAS CONVERSION INSTRUCTION

# 1

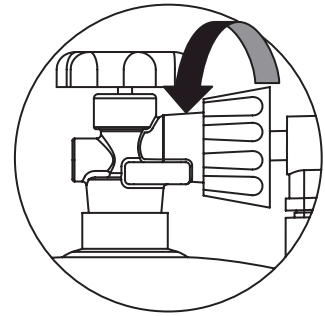


## WARNING

ENSURE THE UNIT IS OFF AND COMPLETELY COOL, AND THE GAS SUPPLY TO THE UNIT IS TURNED OFF.

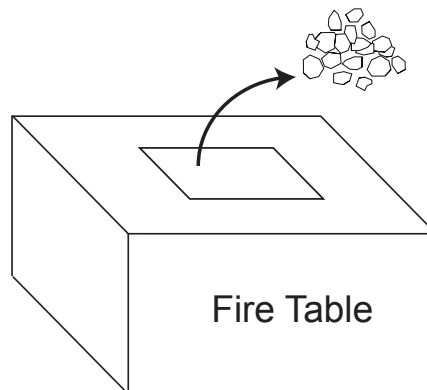
### Disconnecting the LP Gas Tank

Make sure the valve on the LP gas tank is OFF.  
Disconnect by turning the knob counter clockwise until it is detached from the valve.



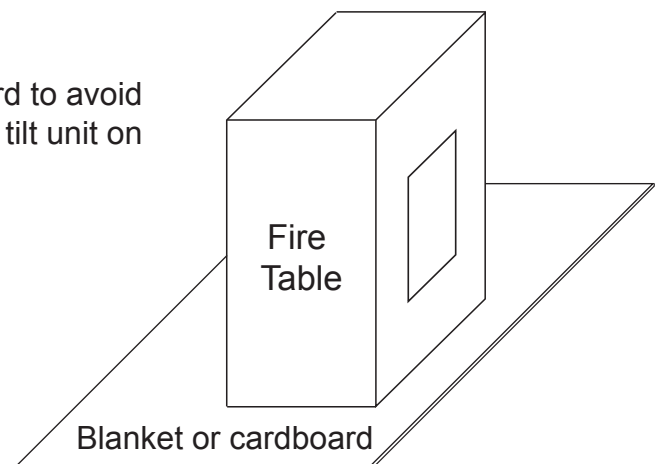
# 2

Remove lava rock from burner pan area carefully.



# 3

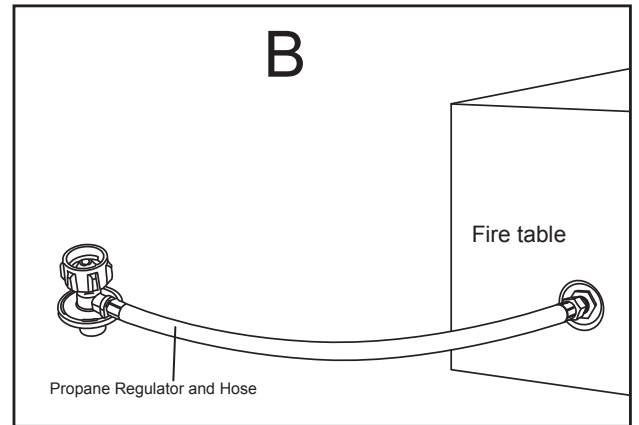
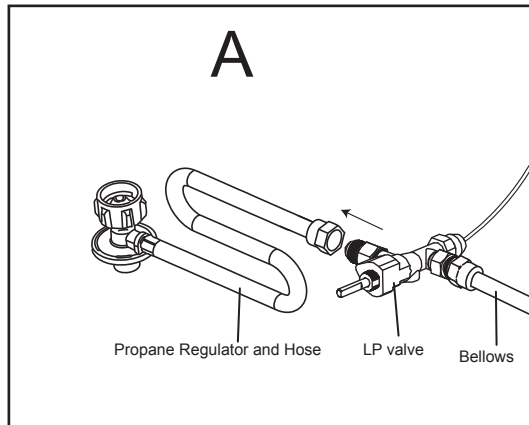
Lay down blanket or cardboard to avoid damaging the finish, carefully tilt unit on its side.



# NATURAL GAS CONVERSION INSTRUCTION

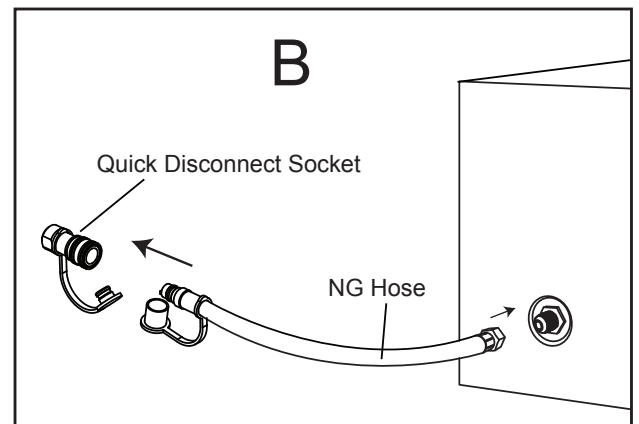
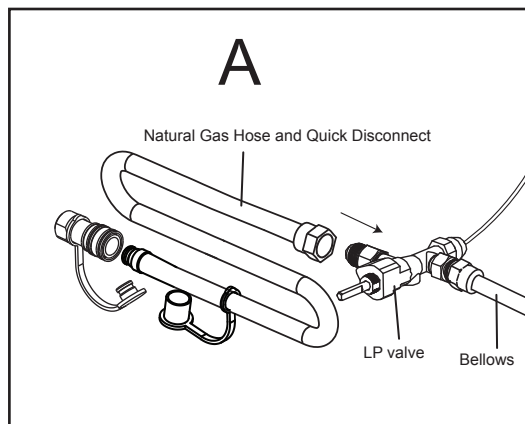
## 4

Disconnect the Propane regulator from the fire table.  
For ONE piece Bellows models, please see A.  
For TWO pieces Bellows models, please see B.



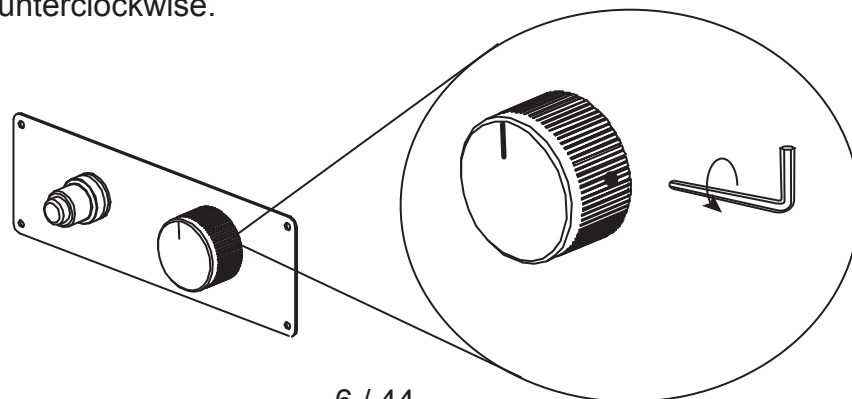
## 5

Attach NG hose to the unit.  
For ONE piece Bellows models, please see A.  
For TWO pieces Bellows models, please see B.



## 6

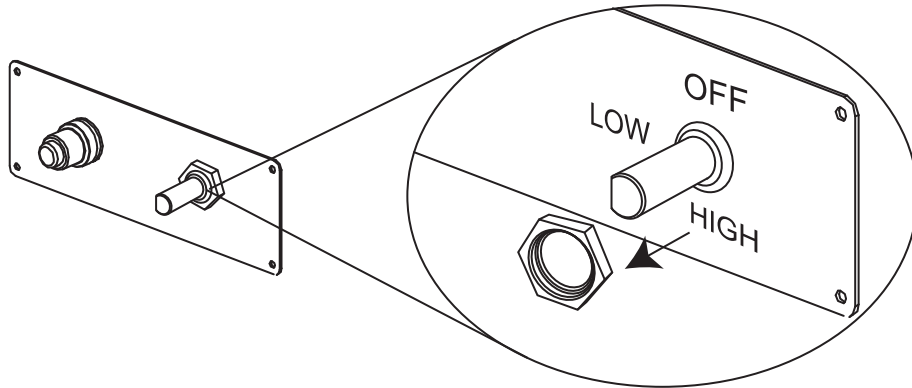
Disconnect the knob from the LP valve by using a Hexagon screwdriver insert it into the small round hole on the side of knob and turning it counterclockwise.



# NATURAL GAS CONVERSION INSTRUCTION

## 7

Turn the hex nut counterclockwise to disconnect the LP valve from the control panel.

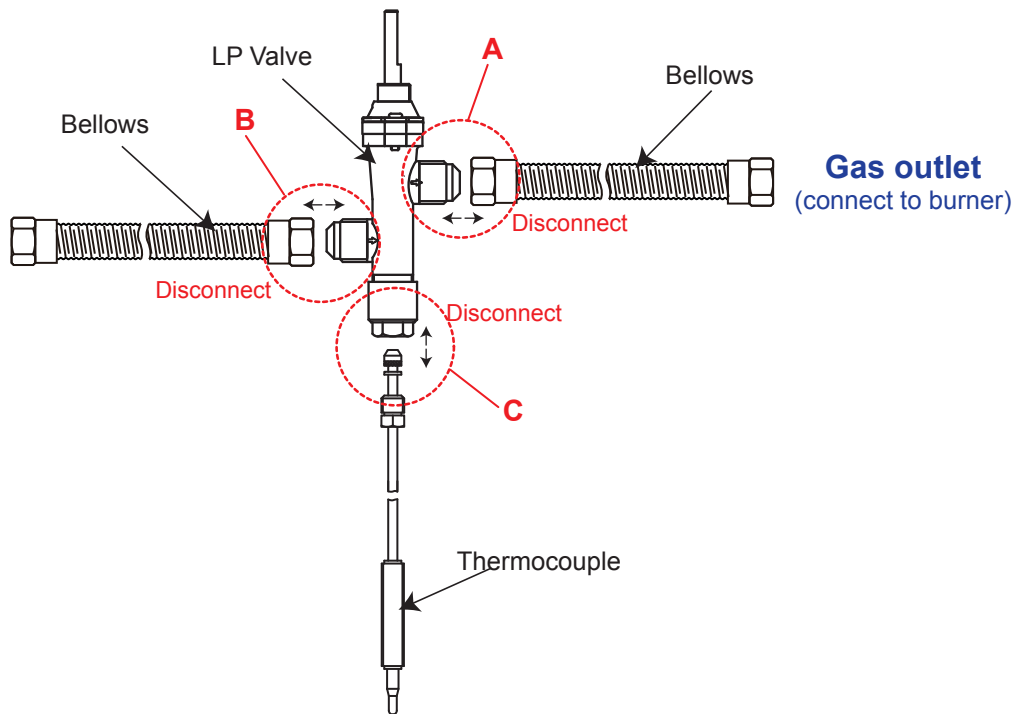


## 8

Disconnect the bellows from the LP valve.  
For ONE piece Bellows models, please see A.  
For TWO pieces Bellows models, please see A&B.

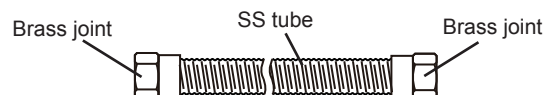
Disconnect the thermocouple from the LP valve.(see C)

**Gas inlet**  
(connect to regulator)



## WARNING

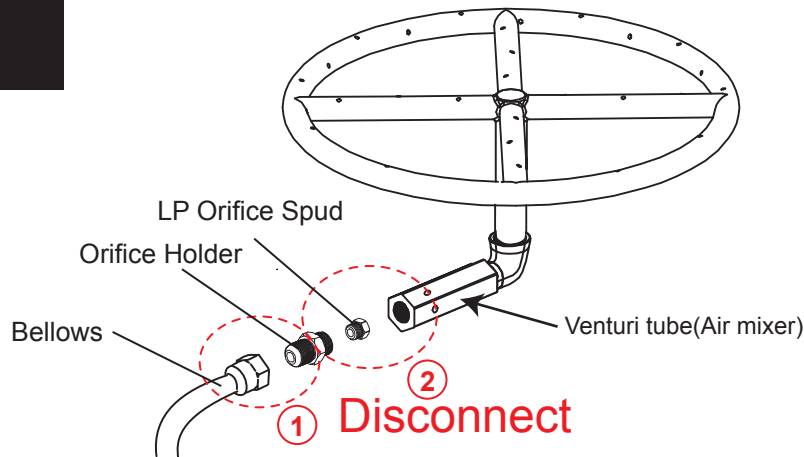
ONLY counterclockwise the brass joint on the bellows when disconnecting it from valve.  
DO NOT rotate the stainless steel tube. Excessive rotation of the stainless steel tube will cause the gas pipe to twist or break, causing gas leaks.



# NATURAL GAS CONVERSION INSTRUCTION

## 9

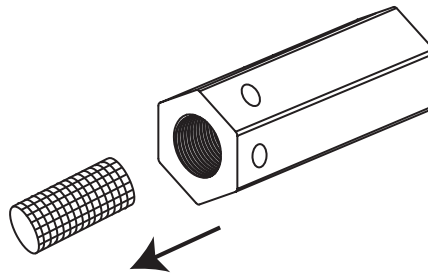
- ① Disconnect the bellows from orifice holder.
- ② Disconnect the Orifice Holder and LP orifice spud from the Venturi tube (Air mixer).



Although your unit's burner may vary, conversion method is the same.

## 10

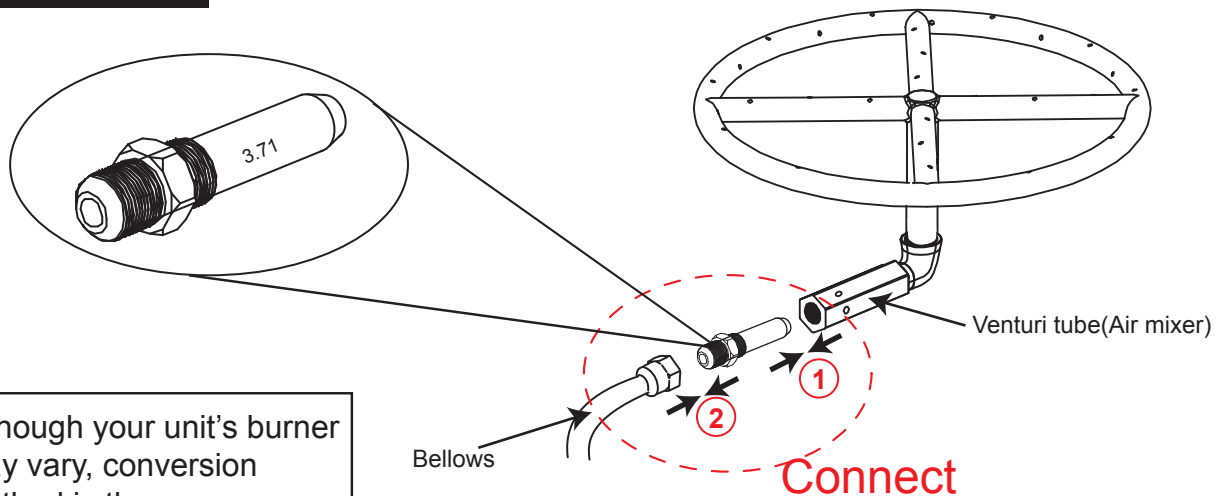
Pull out the stainless steel net from the Venturi tube(Air mixer).  
Make sure no spider nets or other debris in the tube.



## 11

Locate the new NG orifice spud, verify it is the correct number, the sign 3.71mm should be on the side of the orifice spud.

- ① Screw the new NG orifice spud into the Venturi tube(Air mixer).
- ② Re-attach bellows to the NG orifice spud.



Although your unit's burner may vary, conversion method is the same.



# NATURAL GAS CONVERSION INSTRUCTION

# 12

Locate the new NG valve, verify it is the correct one, the silver label with **NATURAL GAS VALVE** should be on the new NG valve.

Re-attach bellows to the NG Valve.

For ONE piece Bellows models, please see E.

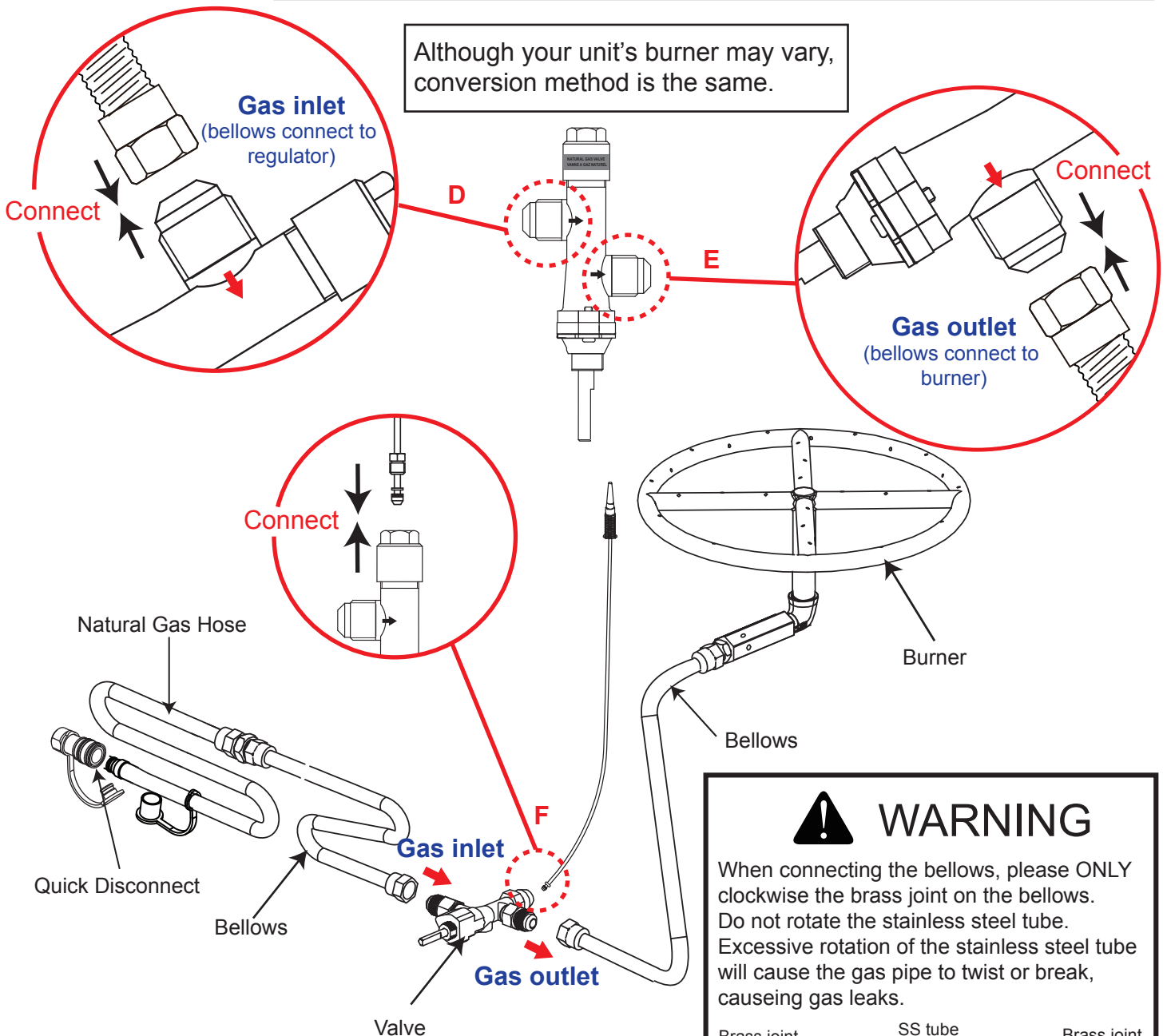
For TWO pieces Bellows models, please see D&E.

Re-attach thermocouple to NG Valve.(see F)

## ⚠ IMPORTANT

Please note that the valve has an air inlet and an air outlet with arrows indicating the flow direction of the gas, **the gas comes out of from the Natural Gas Piping → Quick Disconnect and NG Hose → Valve → Orifice Spud → Burner.**

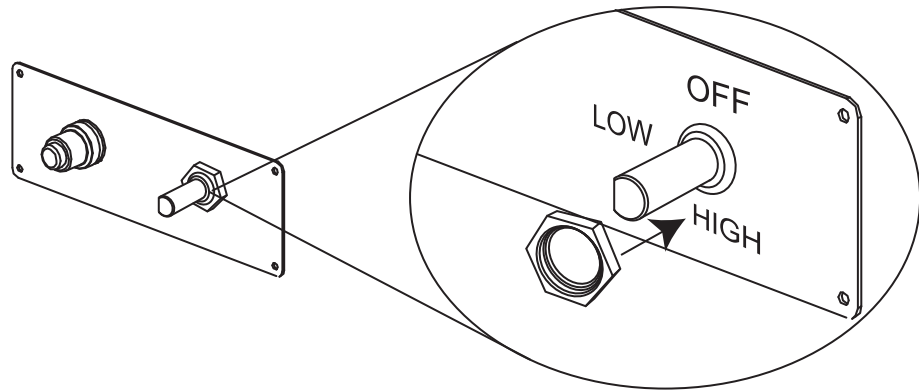
Failure to follow the instructions could result in fire or explosion, which could cause property damage, personal injury, or death.



# NATURAL GAS CONVERSION INSTRUCTION

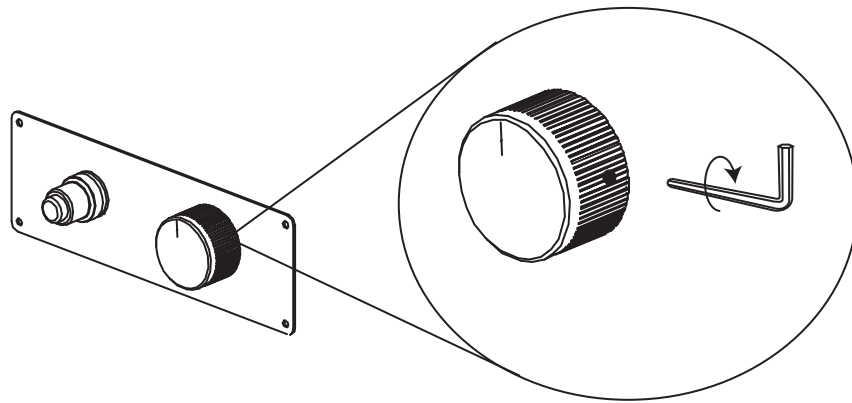
## 13

Connect the new NG valve to the control panel.



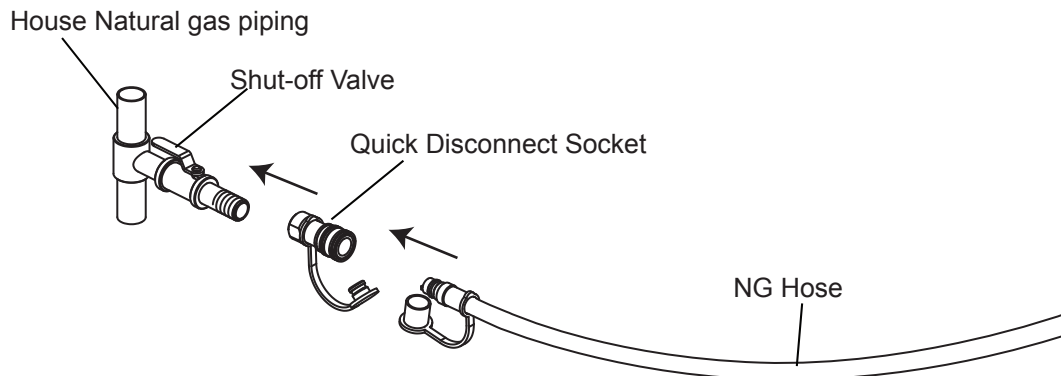
## 14

Connect the knob to the new NG valve.



## 15

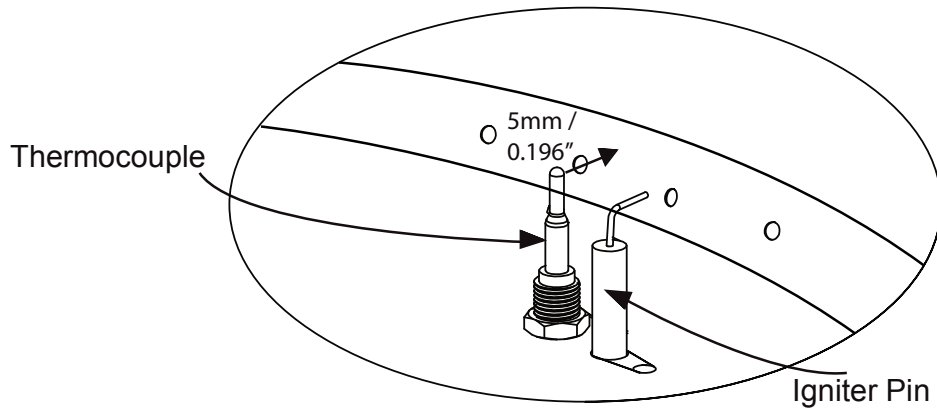
Attach quick disconnect to the gas supply.



# NATURAL GAS CONVERSION INSTRUCTION

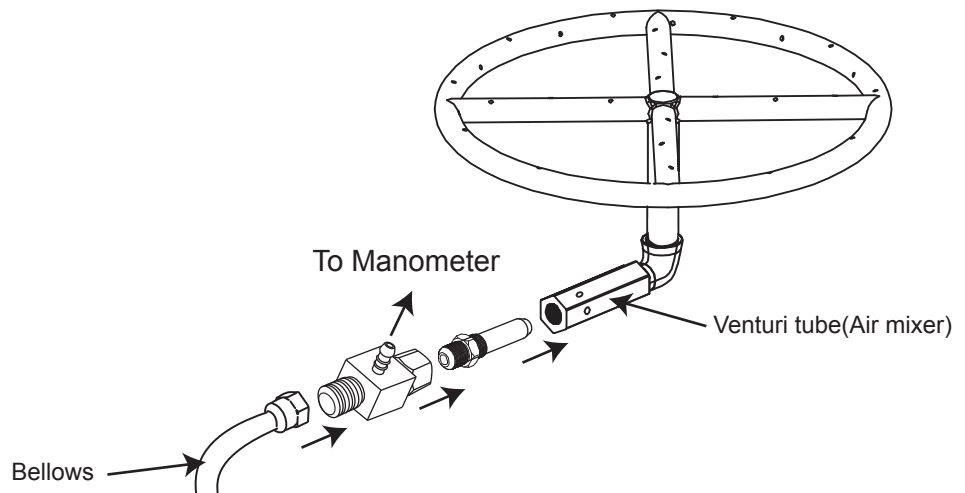
# 16

After installing the conversion kit, verify the location of the Thermocouple and Igniter Pin using the illustration below.



# 17

Note to installation technicians. Verify the manifold pressure by using a 3/8" flared T-junction(not include) at the location marked by the arrow below. Then using a digital manometer verify that the pressure before the orifice is 7" W.C. Also verify that the orifice spud has the **3.71mm** marked. This will allow you to verify that the input rating of the appliance is correct.



## ⚠ Installing at Altitude

For installations at elevations above 2000 ft. (610 m) contact your local dealer or gas supplier before installing as input rating should be reduced approximately 4% for each 1000 ft. above sea level. Refer to the National Fuel Gas Code.

Contact the Elementi for more information at 800-678-7294

**⚠**  
**IMPORTANT**

The proper manifold pressure for this converted appliance is 7" W.C..  
The maximum inlet gas pressure for this unit is 10.5 in wc (2.61 kPa)  
The minimum inlet gas pressure for this unit is 3.5 in wc (0.87 kPa)

# NATURAL GAS CONVERSION INSTRUCTION

## 18

**⚠ WARNING** Before using this outdoor fire table, make sure you have read, understand and are following all information provided in the Important Safety Information section of this manual. Failure to follow those instructions can cause death, serious injury or property damage.

### Checking for Leaks

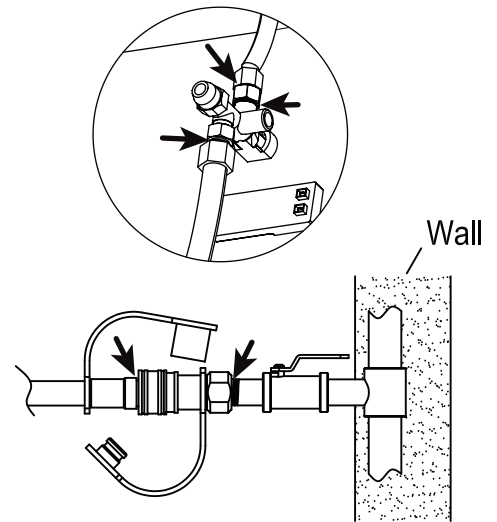
Make a leak check solution by mixing 1-part dishwashing soap with 3 parts water in a spray bottle.

Make sure control knob is "OFF." Then, turn natural gas on at its source.

Spray leak solution on valve connections paying particular attention to the areas indicated by arrows.

If any bubbles appear turn natural gas off, reconnect and re-test. If you continue to see bubbles after several attempts, disconnect natural gas source and contact Elementi at 800-678-7294 for assistance.

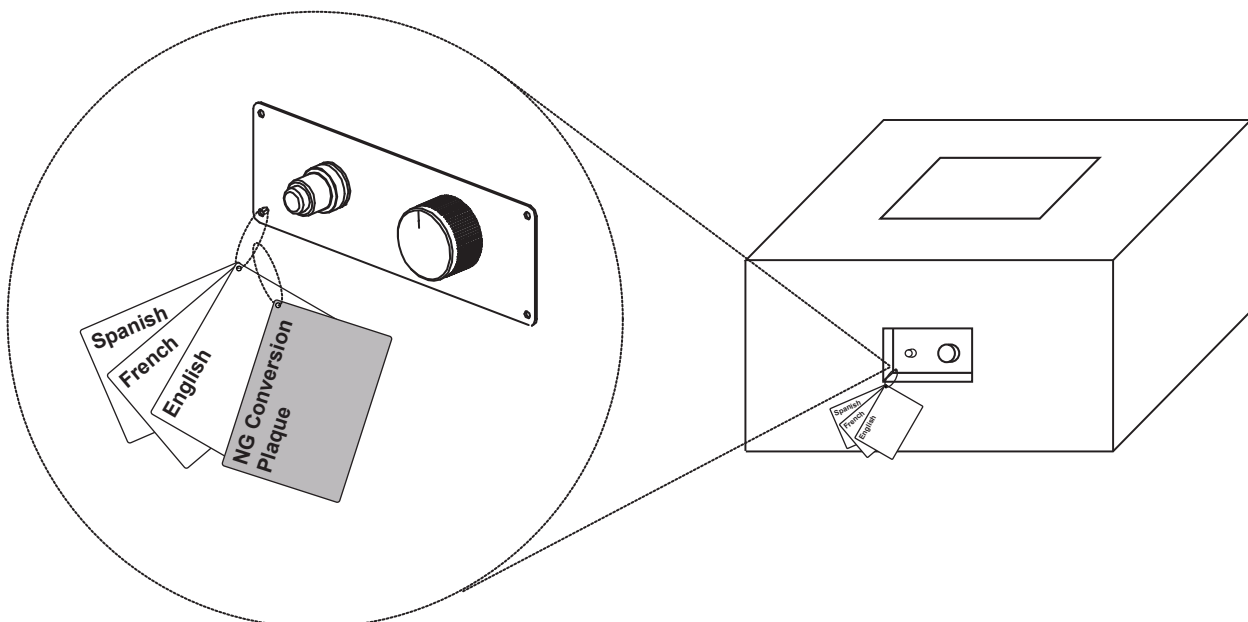
If no bubbles appear after one-minute turn source OFF, wipe away solution and proceed.



Check for leaks at these locations

## 19

Attach the NG conversion plaque included with this kit to the fire table using the included cable kit.



# LIGHTING INSTRUCTIONS

## Using the Ignitor

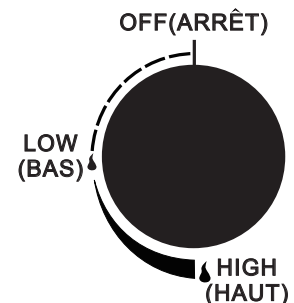
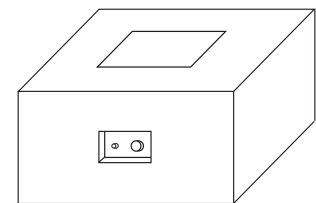
1. Read instructions before lighting.
2. Burner control knob must be in the “OFF” position.
3. Connect natural gas source (see above pages).
4. Open the natural gas supply to the unit.
5. Push and hold igniter but t urn to create sparks.
6. While holding the igniter button with one hand, use your other hand to push and turn the control knob to the “LOW” position to light the burner.
7. If ignition does not occur in 5 seconds, push and turn the Control Knob to “OFF”, wait 5 minutes and allow gas to dissipate.
8. Once the burner is lit, continue to hold the knob in for another 20 seconds and release.
9. Observe flame, make sure all burner ports are lit. Flame height should be no higher than 13 inches tall.
10. Adjust flame to desired flame with the control knob.



**Keep the lava rock covered and make sure it is dry before igniting.**

## Using a Long Match or Lighter

1. Prior to lighting, use a shovel to move lava rocks for access to the burner.
2. Wearing heat resistant gloves, position the burning long match or burning butane lighter near the side of the burner. **DO NOT** lean over the fire table while lighting!
3. Turn control knob counterclockwise to “LOW”.
4. Remove long match/long butane lighter.
5. After lighting, use a shovel and heat resistant gloves to carefully move the lava rocks back into their proper position.
6. Observe flame, make sure all burner ports are lit. Flame height should be no higher than 13 inches tall.
7. Adjust the flame to the desired height with the control knob.



## WARNING

If burner fame goes out during operation, immediately turn the control knob “OFF” and let the gas clear a minimum of 5 minutes before attempting to re-light the fire table.



## WARNING

When using this method to light your fire table use heat resistant gloves and follow the step by step instructions. Failure to do so could result in severe injury.

## TURNING OFF

1. Push and turn the control knob clockwise to the “OFF” position.
2. Shut off gas supply at the shut-off valve and disconnect the quick disconnect socket from the main gas supply.

# Warranty

Ocean Rock USA INC. doing business as Elementi, warrants Elementi fire features and accessories to be free from defects in parts and workmanship under normal use and service for a period of 1 year from the date of purchase. In the event of such defects Elementi will, at its option, repair or replace the defective product. The foregoing is at the discretion of Elementi. There will be no charge for the replacement parts or product, however it will be the consumer's responsibility to return the product to the original place of purchase.

Elementi will not be responsible for consequential damages in excess of the purchase price of the product on which such liability is based and the warranty does not cover costs including freight, removal and reinstallation.

This warranty is non-transferable and applies only for units that are for non-commercial personal use only.

Under this warranty agreement, all gas lines must be installed by a licensed gas fitter. Damage caused by shipping, staining and abuse are not covered under this warranty. Dings, dents and scratches, fading and natural weathering are not covered under this warranty. Decorative rock is not covered under this warranty. Improper installations, repair or modifications made by anyone other than Elementi will void this warranty and any damage caused by such is also not covered under this warranty.

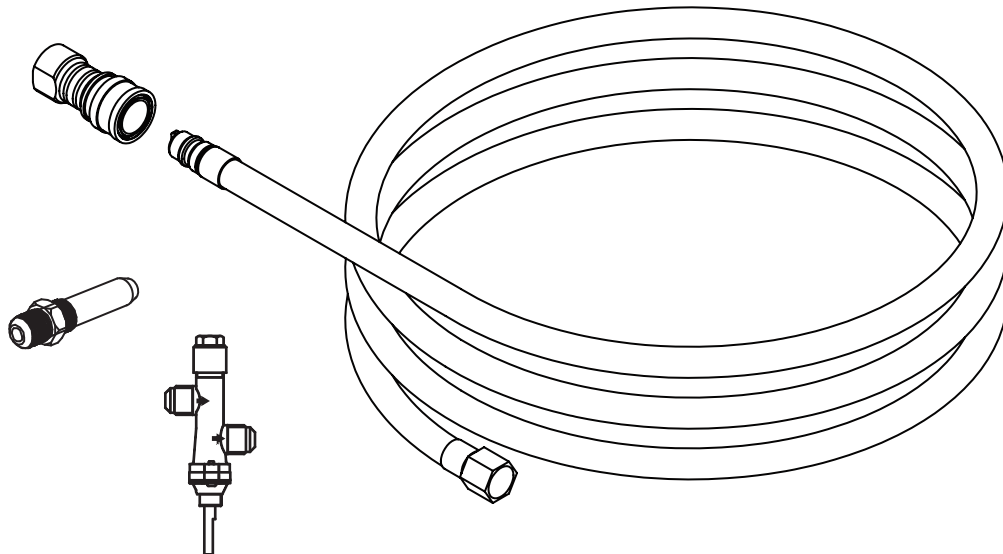
Minor chipping, weather fading, water staining and non-structural hairline cracks are typical of the material of this product and are not covered under this warranty. Some color and texture variation is typical of the material and finish for this product and is not covered under this warranty.

Cast concrete is a hand finished process. As such, this product's finish will vary by unit. There will be a color variance of up to 15% in each unit. There may also be uneven texture or pattern as well as small holes in the surface caused by air or water trapped on the surface during casting. This is a normal trait of cast concrete and is not covered under warranty.

# ELEMENTI

THE ART OF FIRE

FR



## Natural Gas Conversion Kit

OCK45-NG01

### ⚠ IMPORTANT

INSTALLATEUR:

Laissez ce manuel avec l'appareil.

CONSUMMATEUR:

Garde ce manuel pour y revenir plus tard.

### ⚠ DANGER

**DANGER D'INCENDIE OU D'EXPLOSION**

S'il y a une odeur de gaz :

- Coupez l'admission de gaz de l'appareil.
- Éteindre toute flamme nue.
- Si l'odeur persiste, vous éloigner de l'appareil et appeler immédiatement.
- Après avoir quitté la zone, appelez votre

fournisseur de gaz ou le service d'incendie.

Le non-respect de ces instructions peut entraîner la mort, des blessures graves ou des dommages matériels.

### ⚠ AVERTISSEMENT

Ce kit de conversion doit être installé par une agence de service qualifiée conformément aux instructions du fabricant et à tous les codes et exigences applicables de l'autorité compétente. Si les informations contenues dans ces instructions ne sont pas suivies à la lettre, un incendie, une explosion ou une production de monoxyde de carbone pourrait en résulter, entraînant des dommages matériels, des blessures corporelles ou la mort. L'agence de service qualifiée est responsable de l'installation correcte de ce kit. L'installation n'est pas correcte et complète jusqu'à ce que le fonctionnement de l'appareil converti soit vérifié, comme indiqué dans les instructions du fabricant fournies avec le kit.


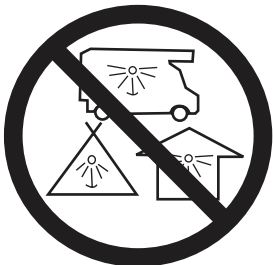



Contactez Elementi pour le support technique.

Service à la clientèle: **800-678-7294**

# TABLE DES MATIÈRES

Instruction de sécurité importante	3
Liste des pièces	7
Instruction de conversion au gaz naturel	12
Test de fuite	13
Instructions d'allumage	14

 <b>DANGER</b>	<b>MONOXYDE DE CARBONE</b>
	<p>Cet appareil peut produire du monoxyde de carbone inodore. Son utilisation dans un espace clos peut être mortel. Ne jamais utiliser cet appareil dans un espace comme caravane, tente, voiture ou maison.</p>

 <b>AVERTISSEMENT:</b> Ce produit peut vous exposer au monoxyde de carbone, qui est reconnu par l'État de Californie comme pouvant causer des malformations congénitales ou d'autres problèmes de reproduction. Pour plus d'informations, rendez-vous sur <a href="http://www.P65Warnings.ca.gov">www.P65Warnings.ca.gov</a> .
---



# INSTRUCTION DE SÉCURITÉ IMPORTANTE



**ATTENTION** POUR USAGE EXTÉRIEUR SEULEMENT.

## ODEUR DE GAZ

- Couper l'alimentation en gaz à la table de feu.
- Éteindre toute flamme.
- Ne pas tenter d'allumer d'autres appareils.
- Ne toucher à aucun interrupteur électrique; ne pas utiliser de téléphone dans votre bâtiment.
- Appeler immédiatement votre fournisseur de gaz à partir du téléphone d'un voisin.
- Suivre les instructions du fournisseur de gaz.
- Si vous ne pouvez pas joindre votre fournisseur de gaz, appelez le service des incendies.

L'installation et les réparations doivent être faites par un technicien qualifié. L'appareil devrait être inspecté avant usage et au moins une fois l'an par un technicien qualifié. Des nettoyages plus fréquents peuvent être nécessaires. Le compartiment des boutons de contrôle, les brûleurs, et les canaux de circulation de l'air devraient toujours être gardés propres.

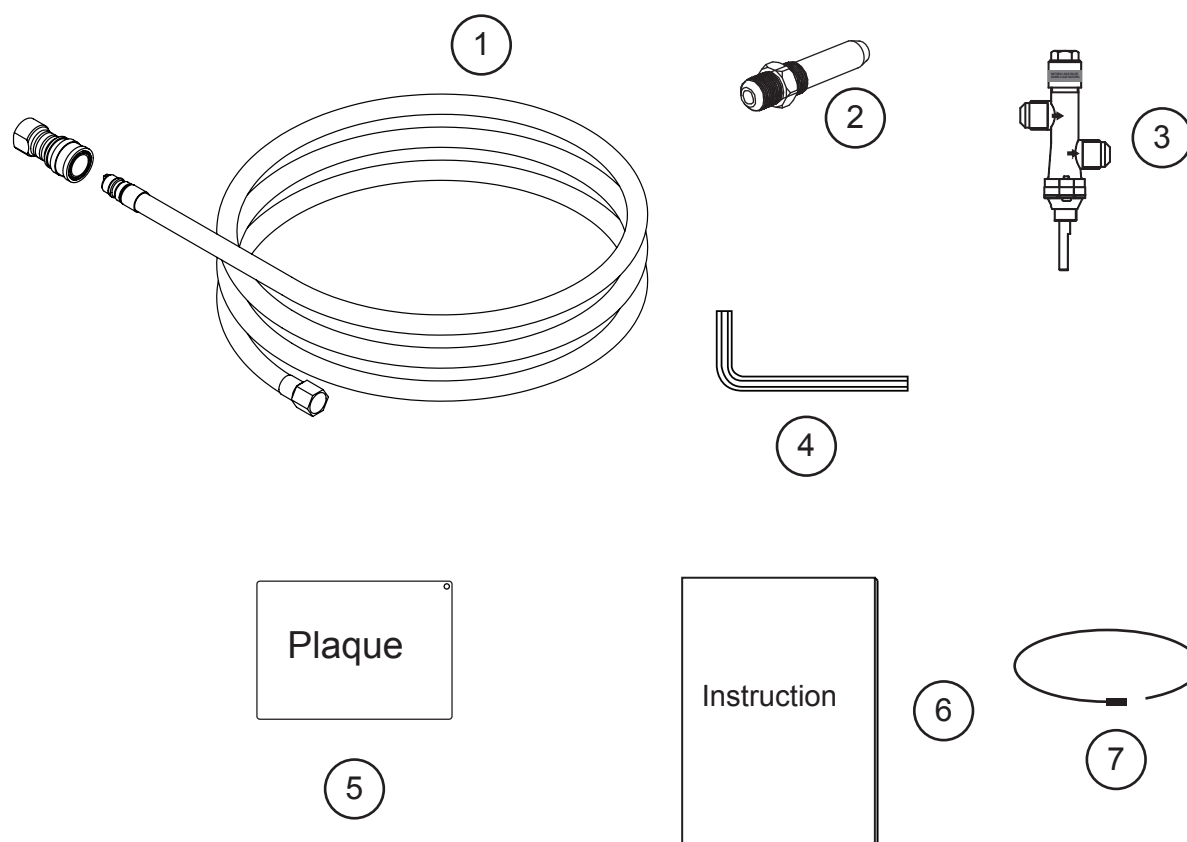
- **AVERTISSEMENT:** L'installation et l'entretien doivent être effectués par un installateur qualifié, une agence de service ou un fournisseur de gaz.
- **AVERTISSEMENT:** Le non-respect du danger, d'avertissement et des mises en garde dans ce service d'incendie peut entraîner des blessures corporelles graves ou la mort, ou un incendie ou une explosion causant des dommages à la propriété.
- **AVIS IMPORTANT:** Lire et comprendre tous les avertissements et précautions avant de procéder à l'assemblage et l'utilisation de votre table de feu à gaz. Une installation, un réglage, une modification à ce dernier, un service ou l'entretien peuvent causer des blessures ou des dommages matériels.



Ce kit de conversion est destiné à transformer une table à incendie de pétrole liquéfié (LP) en une table à incendie à gaz naturel.

# LISTE DES PIÈCES

- |   |        |
|---|--------|
| 1, Tuyau de gaz naturel et déconnexion rapide       | x 1 pc |
| 2, Orifice de gaz naturel 3.71mm                    | x 1 pc |
| 3, Vanne de gaz naturel                             | x 1 pc |
| 4, Tournevis hexagonal (pour utilisation du bouton) | x 1 pc |
| 5, Plaque de conversion au gaz naturel              | x 1 pc |
| 6, Instruction du kit de conversion au gaz naturel  | x 1 pc |
| 7, Kit de câbles                                    | x 1 pc |



## Modèle applicable:

2 pièces Soufflet Des modèles	OFG101LP	OFG103LP	OFG104LP	OFG105LP	OFG110LP	OFG145LP
	OFG121LP	OFG126LP	OFG127LP	OFG128LP	OFG139LP	OFG147LP
1 pièce Soufflet Des modèles	OFH101LP	OFH103LP	OFG201LP	OFM103LP	OFM104LP	OFM106LP

# INSTRUCTION DE CONVERSION DE GAZ NATUREL

# 1



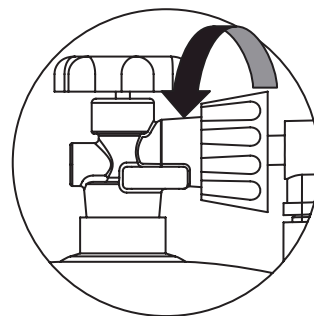
## AVERTISSEMENT

ASSUREZ-VOUS QUE L'APPAREIL EST ÉTEINT ET COMPLÈTEMENT REFROIDI ET L'ALIMENTATION EN GAZ À L'APPAREIL EST ÉTEINT.

### Déconnecter le réservoir de gaz propane

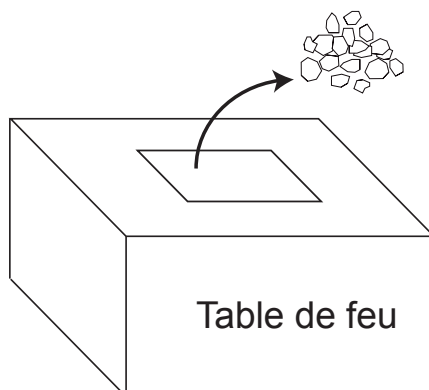
Assurez-vous que la valve sur le réservoir de gaz propane est en position OFF.

Déconnecter en tournant le bouton dans le sens horaire jusqu'à ce qu'elle se détache de la valve.



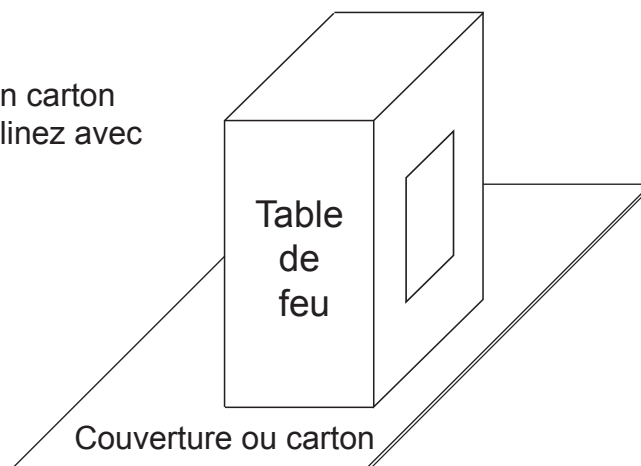
# 2

Enlevez soigneusement les pierres de lave de la zone du plateau des brûleurs.



# 3

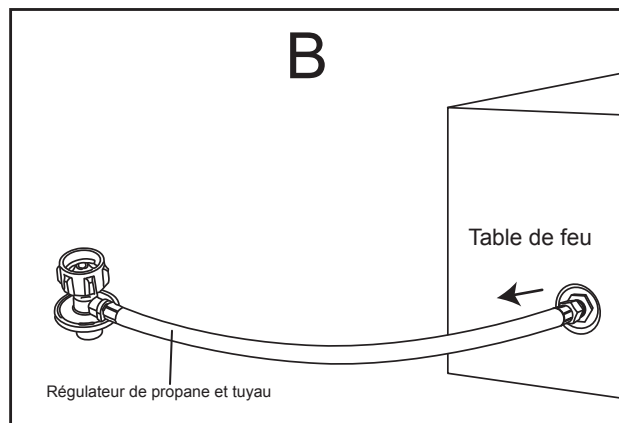
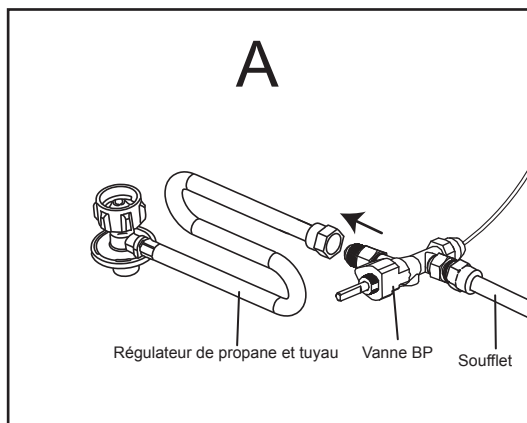
Couchez une couverture ou un carton pour ne pas abîmer le fini, inclinez avec précaution l'unité sur le côté.



# INSTRUCTION DE CONVERSION DE GAZ NATUREL

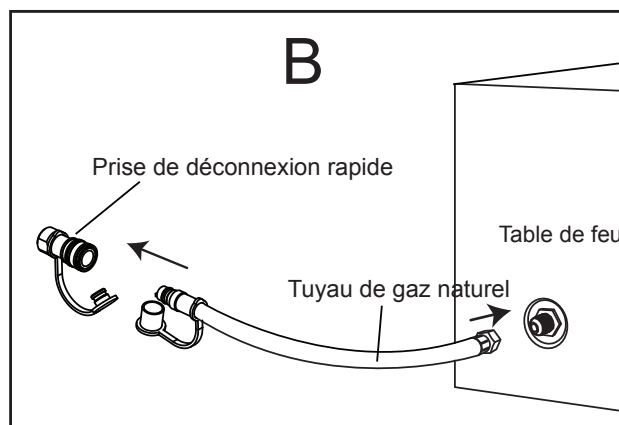
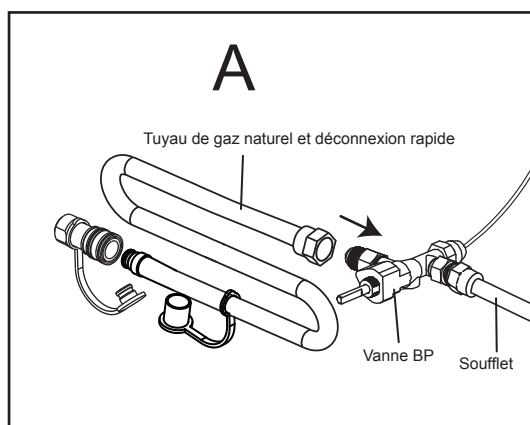
## 4

Déconnectez le détendeur de propane de la table à feu.  
Pour les modèles à 1 soufflet, voir A.  
Pour les modèles à 2 soufflets, voir B.



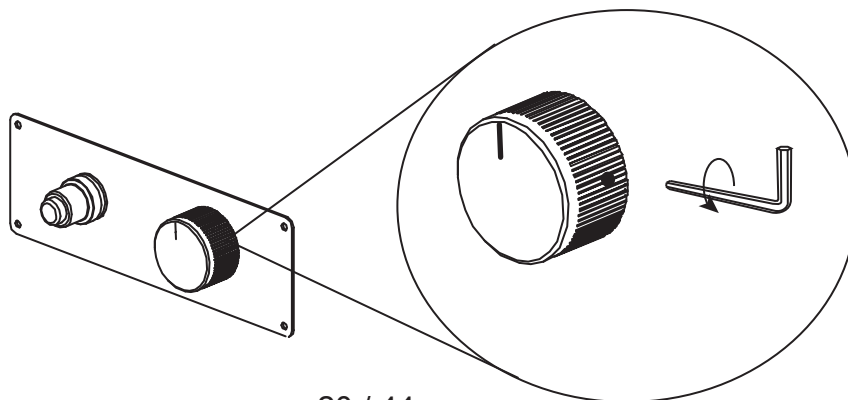
## 5

Fixez le tuyau NG à l'appareil.  
Pour les modèles à soufflet 1 pièce, veuillez voir A.  
Pour les modèles à soufflets en 2 pièces, voir B.



## 6

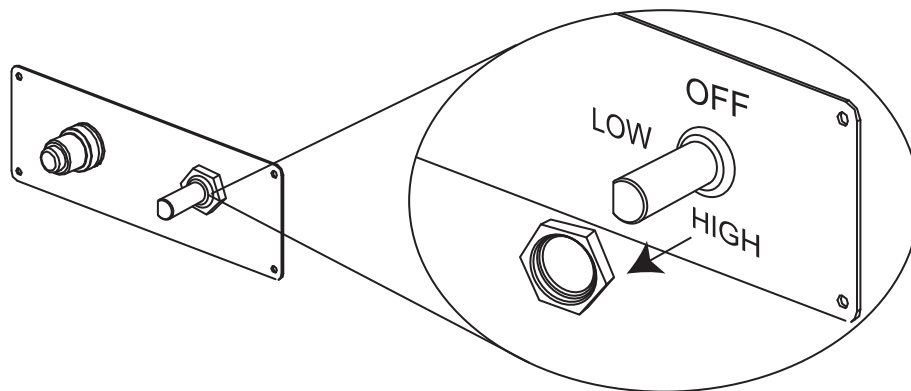
Débranchez le bouton de la vanne BP à l'aide d'un tournevis hexagonal, insérez-le dans le petit trou rond situé sur le côté du bouton et tournez-le dans le sens contraire des aiguilles d'une montre.



# INSTRUCTION DE CONVERSION DE GAZ NATUREL

## 7

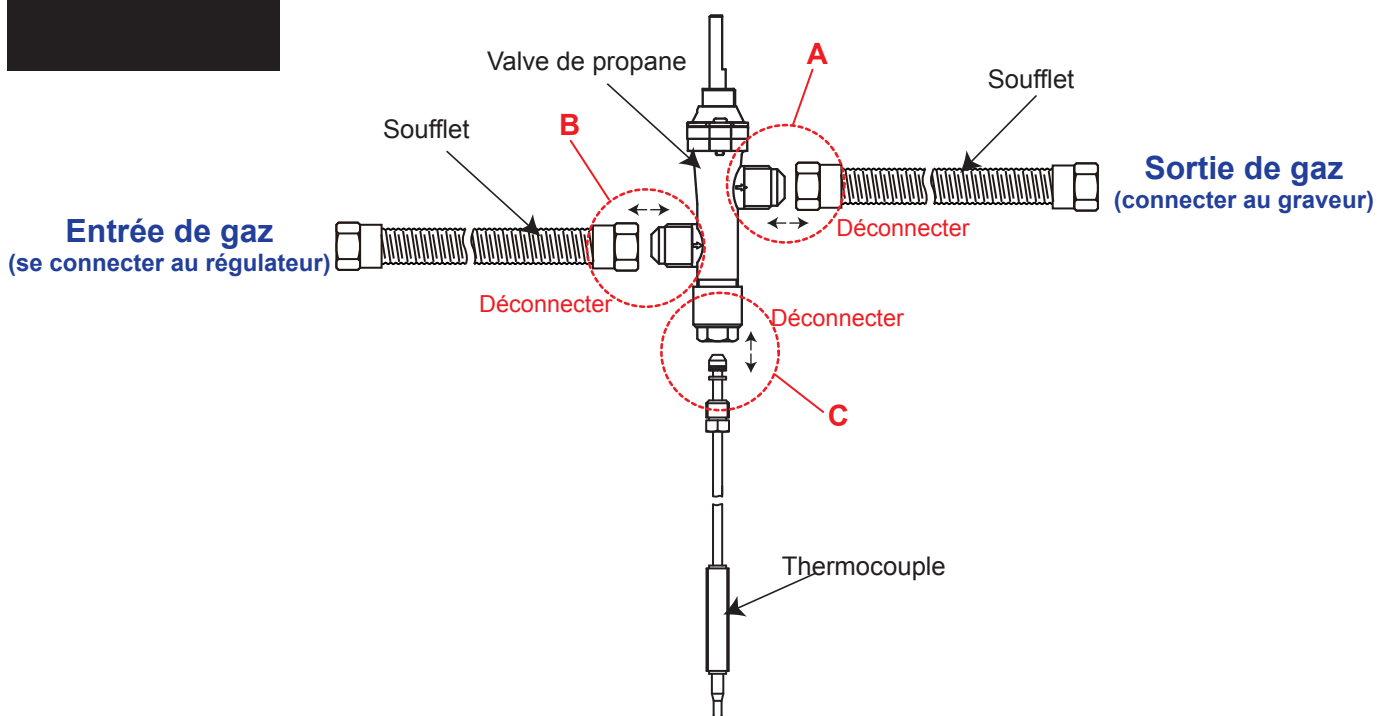
Tournez l'écrou hexagonal dans le sens antihoraire pour déconnecter la vanne BP du panneau de commande.



## 8

Déconnectez le soufflet de la vanne BP.  
Pour les modèles à soufflet 1 pièce, veuillez voir A.  
Pour les modèles à soufflet 2 pièces, voir A & B.

Déconnectez le thermocouple de la vanne BP (voir C).



## AVERTISSEMENT

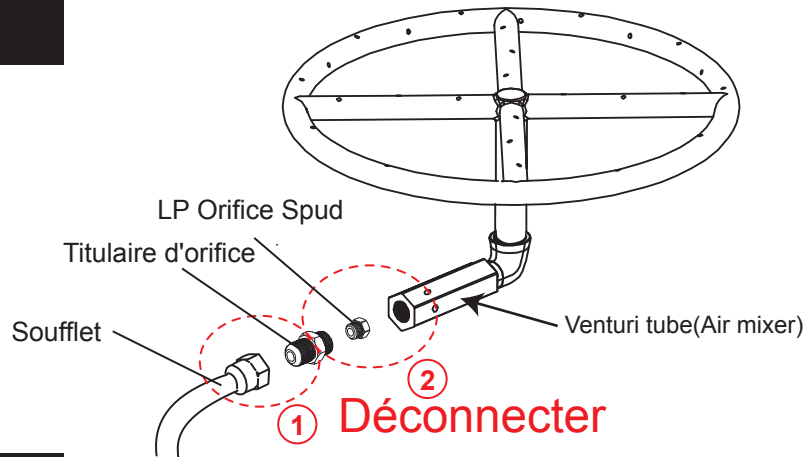
UNIQUEMENT dans le sens antihoraire le raccord en laiton du soufflet lors de la déconnexion de la vanne.  
NE PAS faire pivoter le tube en acier inoxydable. Une rotation excessive du tube en acier inoxydable entraînera le tuyau de gaz à tordre ou casser, provoquant des fuites de gaz.



# INSTRUCTION DE CONVERSION DE GAZ NATUREL

## 9

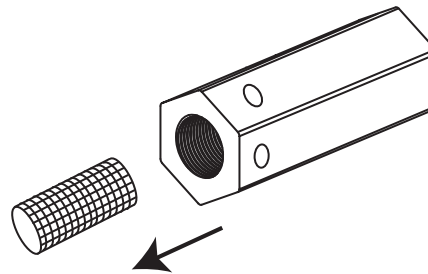
- ① Disconnect the bellows from orifice holder.
- ② Débranchez le porte-orifice et la buse d'orifice LP du tube de Venturi (mélangeur d'air).



Bien que le graveur de votre appareil puisse varier, la méthode de conversion est la même.

## 10

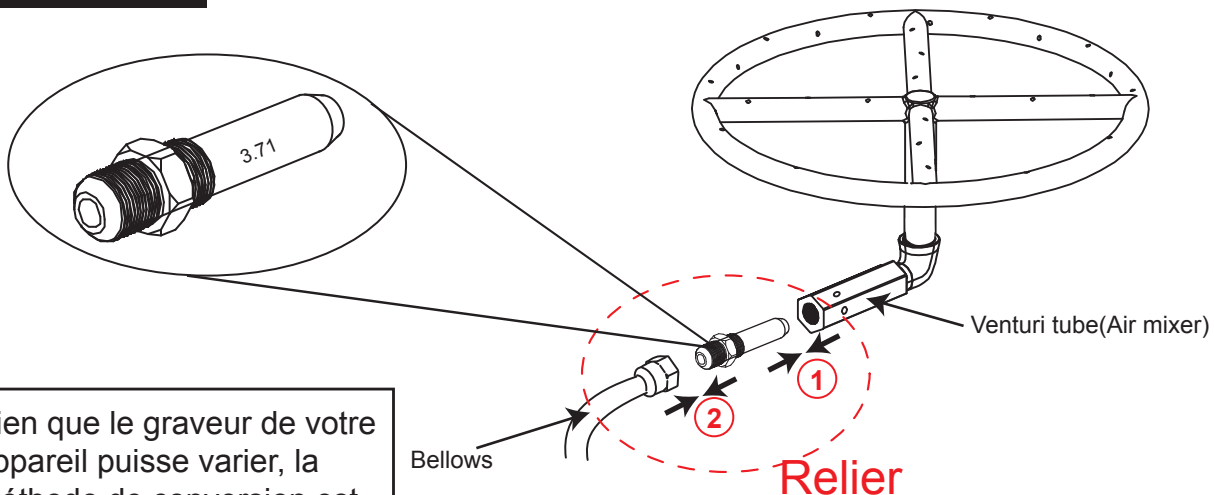
Retirez le filet en acier inoxydable du tube de Venturi (mélangeur d'air).  
Assurez-vous qu'aucun filet d'araignée ou autre débris ne se trouve dans le tube.



## 11

Localisez la nouvelle tête d'orifice NG, vérifiez que le numéro est correct, le signe 3.71mm doit se trouver sur le côté de la tête d'orifice.

- ① Visser la nouvelle tête d'orifice GN dans le tube de Venturi (mélangeur d'air).
- ② Rattachez le soufflet à la buse de l'orifice NG.



Bien que le graveur de votre appareil puisse varier, la méthode de conversion est la même.

# INSTRUCTION DE CONVERSION DE GAZ NATUREL

# 12

Localisez la nouvelle vanne NG, vérifiez que c'est la bonne, la l'étiquette d'argent avec NATURAL GAS VALVE devrait être sur la nouvelle vanne GN.

Rattachez le soufflet à la vanne GN.

Pour les modèles à soufflet 1 pièce, voir E.

Pour les modèles à soufflet à 2 pièces, voir D & E.

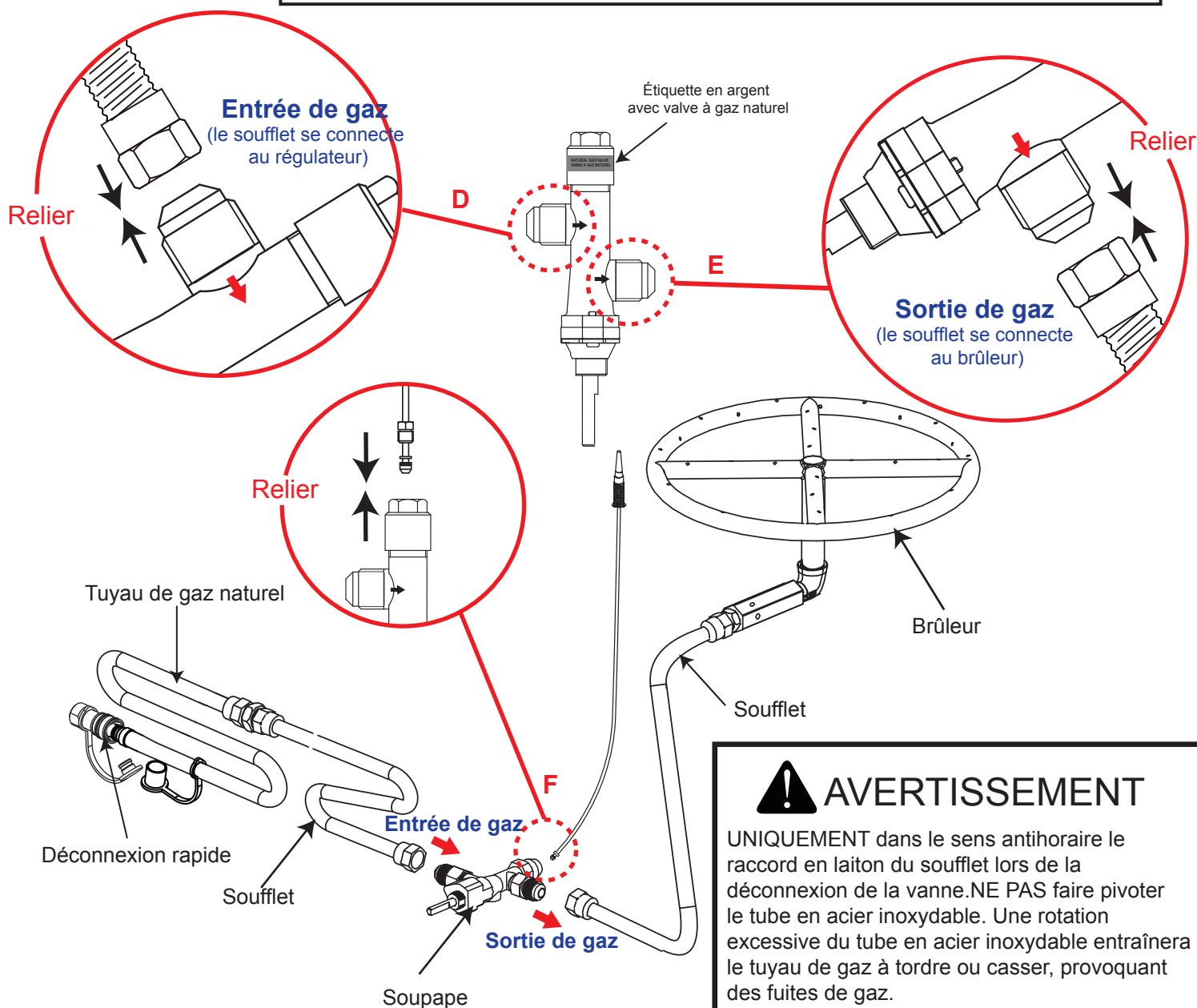
Rattachez le thermocouple à la vanne NG (voir F).

Bien que le graveur de votre appareil puisse varier, la méthode de conversion est la même.

## ⚠ IMPORTANT

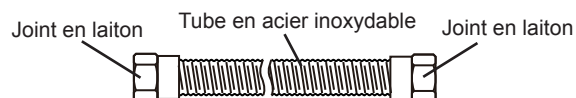
**Veillez noter que la vanne a une entrée d'air et une sortie d'air avec des flèches indiquant le sens du flux du gaz, le gaz sortant de la canalisation de gaz naturel → Tuyau Quick Connect et NG → Soupape → Orifice Spud → Brûleur.**

**Le non respect de ces instructions peut provoquer un incendie ou une explosion, pouvant causer des dommages à la propriété, des blessures ou la mort.**



## ⚠ AVERTISSEMENT

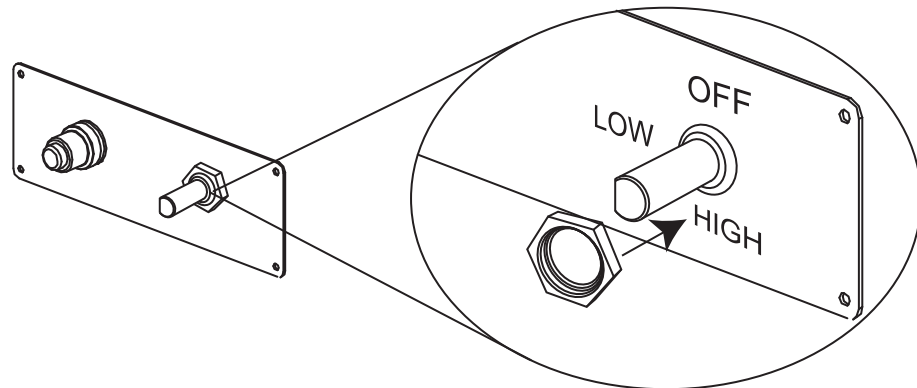
UNIQUEMENT dans le sens antihoraire le raccord en laiton du soufflet lors de la déconnexion de la vanne. NE PAS faire pivoter le tube en acier inoxydable. Une rotation excessive du tube en acier inoxydable entraînera le tuyau de gaz à tordre ou casser, provoquant des fuites de gaz.



# INSTRUCTION DE CONVERSION DE GAZ NATUREL

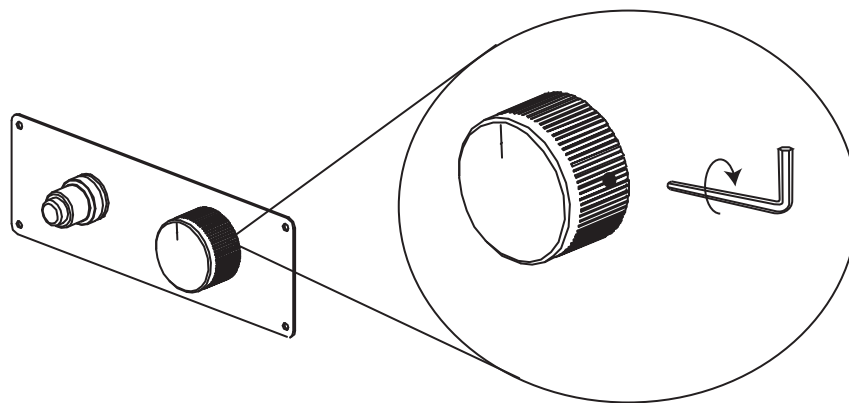
## 13

Connectez la nouvelle vanne NG au panneau de commande.



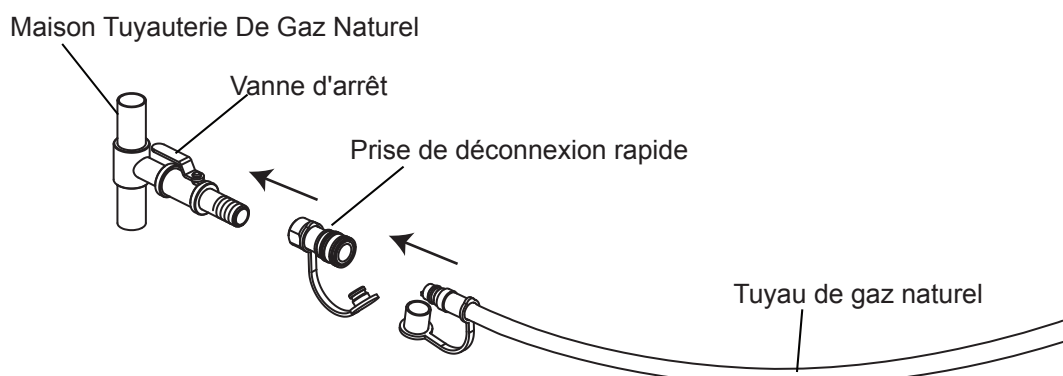
## 14

Connecter le bouton à la nouvelle vanne GN.



## 15

Fixez la déconnexion rapide à l'alimentation en gaz.

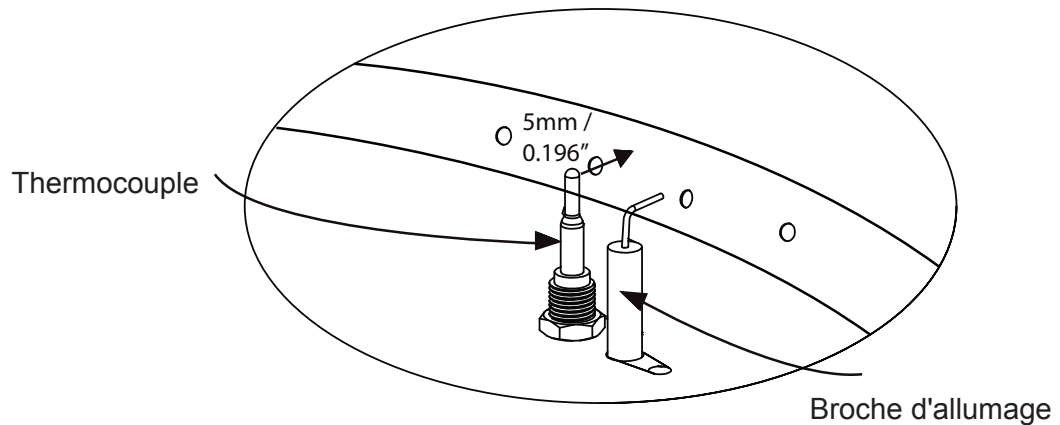




# INSTRUCTION DE CONVERSION DE GAZ NATUREL

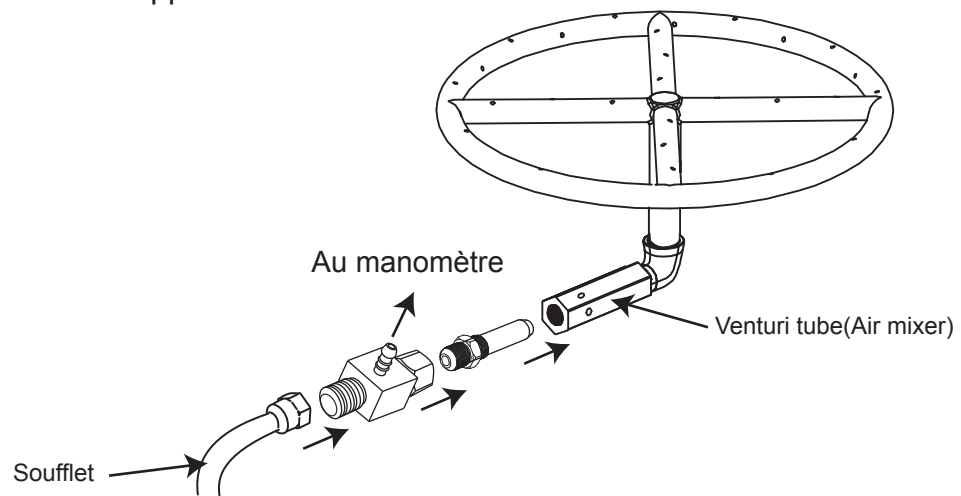
## 16

Après avoir installé le kit de conversion, vérifiez l'emplacement du thermocouple et de la broche de l'allumeur à l'aide de l'illustration ci-dessous.



## 17

Note aux techniciens d'installation. Vérifiez la pression du collecteur en utilisant une jonction en T évasée de 3/8" (non incluse) à l'emplacement marqué par la flèche ci-dessous. Ensuite, à l'aide d'un manomètre numérique, vérifiez que la pression avant l'orifice est de 7" W.C. Vérifiez également que le raccord d'orifice porte le repère 3,71 mm. Cela vous permettra de vérifier que la puissance d'entrée de l'appareil est correcte.



### ⚠ Installation en altitude

Pour les installations à des altitudes supérieures à 2 000 pieds (610 m), contactez votre revendeur local ou votre fournisseur de gaz avant de procéder à l'installation, car les caractéristiques nominales d'entrée doivent être réduites d'environ 4% pour 1 000 pieds au-dessus du niveau de la mer. Reportez-vous au code national du gaz combustible. Contactez l'Elementi pour plus d'informations au 800-678-7294

### ⚠ IMPORTANT

La pression d'admission appropriée pour cet appareil converti est de 7" W.C ..  
La pression de gaz d'entrée maximale pour cette unité est de 2,61 kPa  
La pression de gaz d'entrée minimale pour cette unité est de 0,87 kPa (3.5 in wc)

# INSTRUCTION DE CONVERSION DE GAZ NATUREL

# 18



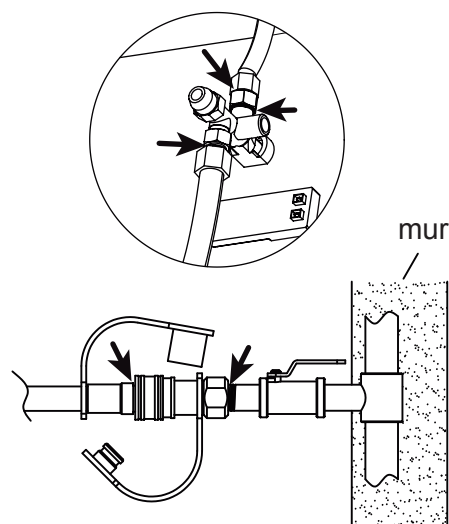
## AVERTISSEMENT

Avant d'utiliser cette table de feu en plein air, assurez-vous que vous avez lu, compris et suivis toutes les informations prévues dans la section Informations de sécurité importantes de ce manuel. Le non-respect de ces instructions peut entraîner la mort, des blessures graves ou des dommages matériels.

## VERIFICATION DES FUITES

Faire un contrôle d'étanchéité en mélangeant 1 quantité de savon liquide avec 3 quantités d'eau dans un flacon pulvérisateur. Assurez-vous que le bouton de commande est à la position "OFF". Ensuite, tournez le réservoir de gaz propane à la position "ON" au niveau de la soupape.

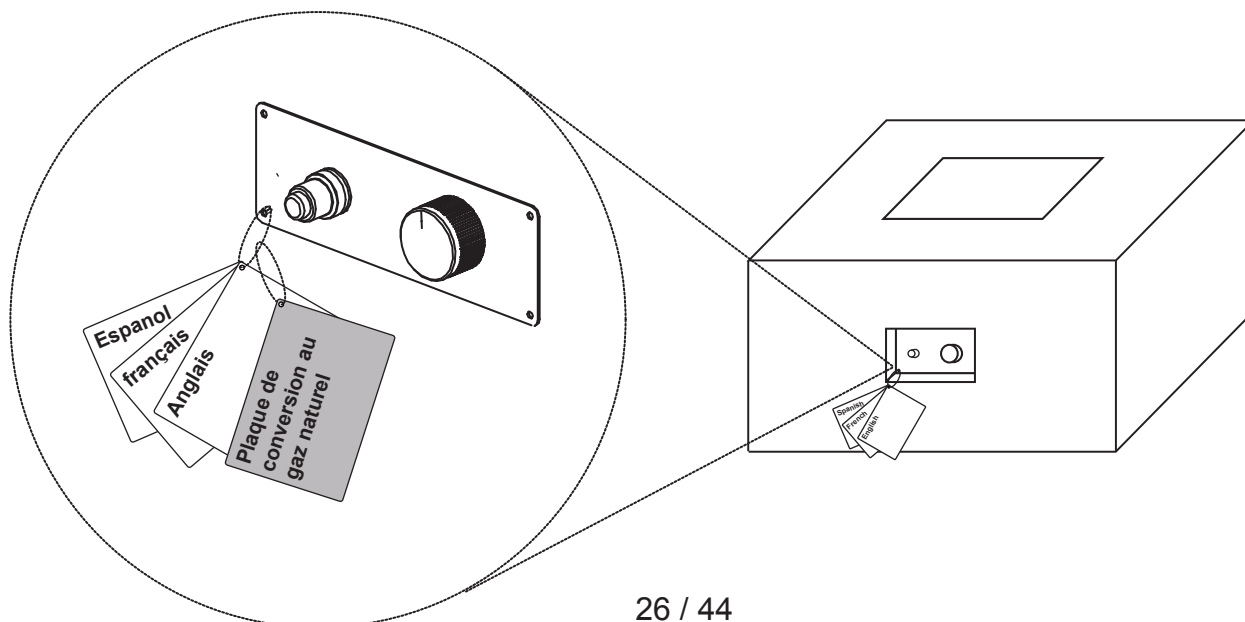
Pulvériser la solution testeur de fuite sur les connexions de la vanne en payant une attention particulière aux zones indiquées par les flèches. Si des bulles apparaissent, tourner le réservoir de gaz à la position OFF, reconnectez et refaire le test. Si vous continuez à voir des bulles après plusieurs tentatives, débrancher la source de gaz propane et contactez ELEMENTI au 800-678-7294 pour assistance. Si aucunes bulles n'apparaissent après une minute, tourner le réservoir à la position OFF, essayez la solution et procédez.



Vérifier les fuites à ces endroits

# 19

Fixez la plaque de conversion au gaz naturel fournie avec ce kit sur la table de cuisson à l'aide du kit de câbles fourni.



# INSTRUCTIONS D'ALLUMAGE

## ÉCLAIRAGE

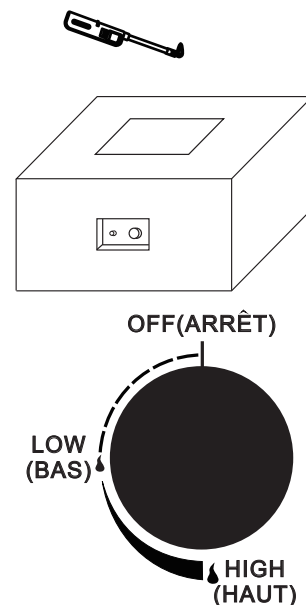
1. Lire les instructions avant d'allumage.
2. Le bouton de commande doit être dans la position « OFF ».
3. Brancher l'alimentation en gaz (voir les pages précédentes).
4. Ouvrir l'alimentation en gaz de l'appareil.
5. Pousser et retenir le bouton d'allumage pour produire des étincelles.
6. Tout en tenant le bouton d'allumage d'une main, avec l'autre main, pousser et tourner le bouton de contrôle en position «LOW» pour allumer le brûleur.
7. Si l'allumage ne se produit pas dans les 5 secondes, poussez et tournez le bouton de commande sur «OFF», attendez 5 minutes et laissez le gaz se dissiper.
8. Une fois le brûleur allumé, continuez à maintenir le bouton enfoncé pendant 20 secondes et relâchez-le.
9. Observer la flamme, vous assurer que tous les orifices du brûleur sont allumés. La hauteur des flammes ne devrait pas dépasser 13 pouces.
10. Régler la hauteur de la flamme désirée avec le bouton de commande.



**Gardez la roche de lave recouverte et assurez-vous qu'elle est sèche avant d'allumer.**

## L'utilisation d'allumette ou de briquet

1. Avant l'éclairage, utilisez une pelle pour dégager les pierres de lave pour avoir un accès au brûleur.
2. Porter des gants résistants à la chaleur, positionner l'allumette ou le briquet près du brûleur. NE PAS se pencher sur la table de feu tout en allumant!
3. Tourner le bouton de commande dans le sens antihoraire, en position "LOW".
4. Retirer l'allumette ou le briquet.
5. Après l'allumage, utiliser une pelle et des gants résistants à la chaleur pour bien positionner de nouveau les pierres de lave, et remplacer le panneau de verre.
6. Après l'allumage, tourner le bouton de commande du brûleur dans le sens horaire en position "Low". Observer la flamme, assurez-vous que tous les orifices du brûleur sont allumés. La hauteur de flamme ne doit pas être supérieure à 13 pouces.
7. Régler la hauteur de la flamme désirée avec le bouton de commande.



## WARNING

If burner flame goes out during operation, immediately turn the control knob "OFF" and let the gas clear a minimum of 5 minutes before attempting to re-light the fire table.



## WARNING

When using this method to light your fire table use heat resistant gloves and follow the step by step instructions. Failure to do so could result in severe injury.

## ÉTEINDRE

1. Tourner et pousser le bouton de commande dans le sens horaire à la position « OFF ».
2. Éteignez l'alimentation en gaz au niveau de la vanne d'isolement et débrancher la prise à débranchement rapide de l'alimentation principale en gaz.

# GARANTIE

Ocean rock USA INC. faisant affaire avec Elementi, garantit que les caractéristiques d'incendie et accessoires Elementi sont exempts de tout défaut de pièces et de fabrication, en utilisation normale et de service pour une période de 1 an à compter de la date d'achat. Dans le cas de tels défauts Elementi, aura à réparer ou remplacer le produit défectueux. Ce qui précède est à la discrétion d'Elementi.

Il n'y aura pas de frais pour les pièces de rechange ou d'un produit, mais le consommateur aura la responsabilité de retourner le produit au lieu d'achat.

Elementi ne sera pas responsable des dommages indirects en sus du prix d'achat du produit sur lequel cette responsabilité est basée et la garantie ne couvre pas les coûts, y compris le frais, l'enlèvement et la réinstallation.

Cette garantie est non transférable et s'applique uniquement pour les unités qui sont à des fins et usage personnel non commercial.

D'après ce contrat de garantie, toutes les lignes de gaz doivent être installées par un installateur de gaz agréé.

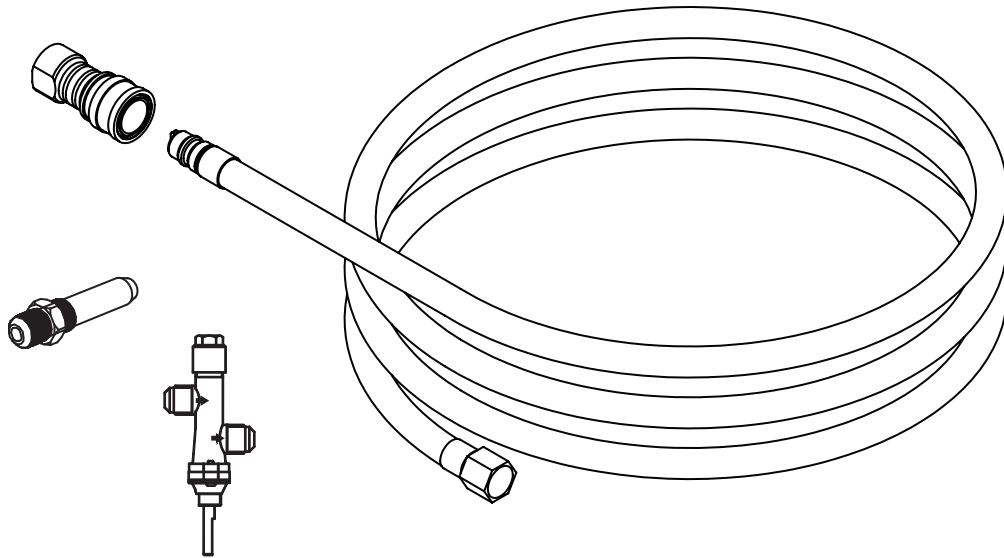
Les dommages causés par le transport maritime, la décoloration et les abus ne sont pas couverts par cette garantie. De même les bosses et les égratines, la décoloration et l'altération naturelle ne sont pas couverts par cette garantie. La roche décorative n'est pas couverte par cette garantie. Une mauvaise installation, la réparation ou modifications apportées par une personne autre que Elementi annulera cette garantie et tout dommage causé par ce dernier ne seront plus couverts par cette garantie.

Déchetage mineures, non résistance aux intempéries, taches d'eau et les fissures non structurelles sont typiques au matériau de ce produit et ne sont pas couverts par cette garantie. Certaines couleurs et texture peuvent varier, ce qui est typique au matériau et la finition pour ce produit ; ces détails ne sont pas couverts par cette garantie

# ELEMENTI

THE ART OF FIRE

ES



## Natural Gas Conversion Kit

OCK45-NG01



### IMPORTANTE

INSTALADOR: Deje este manual con el aparato.  
CONSUMIDOR: Conserve este manual para futuras referencias.



### DANGER

#### PELIGRO DE INCENDIO O EXPLOSIÓN

Si huele a gas:

- Corte el suministro de gas del dispositivo.
  - Apague cualquier llama encendida.
  - Si el olor continúa, abandone el área inmediatamente.
  - Después de salir del área, llame a su proveedor de gas o al departamento de bomberos.
- El no seguir estas indicaciones pueden causar la muerte, lesiones graves o daños a la propiedad.



### ADVERTENCIA

Este kit de conversión deberá ser instalado por una agencia de servicio calificada de acuerdo con las instrucciones del fabricante y todos los códigos y requisitos aplicables de la Autoridad que tenga jurisdicción. Si la información en estas instrucciones no se sigue exactamente, un incendio, explosión o producción de monóxido de carbono puede causar daños a la propiedad, lesiones personales o pérdida de la vida. La agencia de servicio calificada es responsable de la instalación adecuada de este kit.

La instalación no es correcta y completa hasta que se verifique el funcionamiento del electrodoméstico convertido como se especifica en las instrucciones del fabricante suministradas con el kit.






Contactez Elementi pour le support technique.

Service à la clientèle: **800-678-7294**

# ÍNDICE

Información Importante de Seguridad-----	3
Listado de Partes -----	7
Instrucción de conversión de gas natural -----	12
Prueba de fugas-----	13
Instrucciones de iluminación -----	14

 <b>PELIGRO</b>	<b>PELIGRO DEMONÓXIDO DE CARBONO PELIGRO</b>
	<p>Este dispositivo puede producir monóxido de carbono, el cual es inodoro . Su uso en espacios cerrados puede producir la muerte. Nunca use este dispositivo en espacios cerrados como una tienda, carpas o casa.</p>

 <b>ADVERTENCIA:</b> Este producto puede exponerle a Dióxido de Carbono, del que es sabido por el Estado de California como causante de defectos en el nacimiento y otros daños reproductivos. Para más información visite: <a href="http://www.P65Warnings.ca.gov">www.P65Warnings.ca.gov</a> .
--

# INFORMACION IMPORTANTE DE SEGURIDAD



## ADVERTENCIA

LA MESA DE FUEGO ES PARA USO EXCLUSIVO DE EXTERIOR

### SI USTED HUELE GAS:

- Apague el suministro de gas a la mesa de fuego.
- Apague cualquier llama encendida.
- No intente encender ningún dispositivo.
- No toque ningún interruptor eléctrico; no utilice ningún teléfono en su edificio.
- Llame inmediatamente a su proveedor de gas desde el teléfono de un vecino.
- Siga las Instrucciones del proveedor de gas.
- Si no puede contactarse con el proveedor de gas, llame a la estación de bomberos.

La instalación y reparación debe ser realizada por un técnico de servicio calificado. El aparato debe ser inspeccionado antes de su uso y al menos una vez por una persona de servicio calificada. Limpieza más frecuente puede ser requerida según sea necesario. Es imperativo que el compartimiento de control, los quemadores y el aire en circulación Los pasillos del aparato se mantienen limpios.

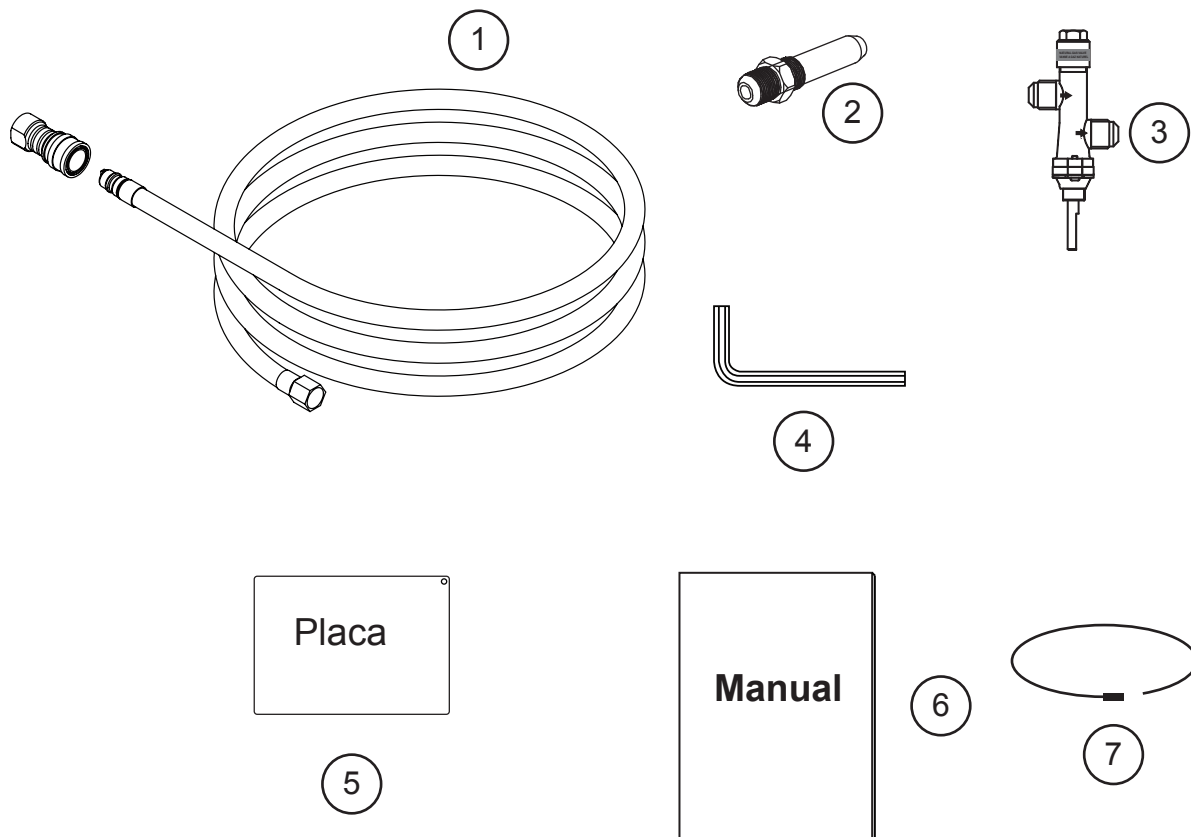
- **Advertencia:** La instalación y servicio deben ser realizadas por un instalador calificado, una agencia de mantenimiento o el suplidor de gas.
- **Advertencia:** El no seguir las precauciones y advertencias dadas por el departamento de bomberos puede resultar en serias lesiones corporales, la muerte o en un fuego u explosión que cause daños a la propiedad.
- **AVISO IMPORTANTE:** Lea y comprenda todas las advertencias y precauciones antes del montaje y use su mesa de fuego de gas. La instalación, el ajuste, la alteración, el servicio o el mantenimiento incorrectos pueden causar lesiones o daños a la propiedad.



Este kit de conversión es para cambiar una mesa de fuego de petróleo licuado (LP) en una mesa de fuego de gas natural.

# LISTA DE PARTES

- |  |        |
|--|--------|
| 1, Manguera de gas natural y desconexión rápida    | x 1 pc |
| 2, Orificio de gas natural 3.71 mm                 | x 1 pc |
| 3, Válvula de gas natural                          | x 1 pc |
| 4, Destornillador hexagonal (para uso con perilla) | x 1 pc |
| 5, Placa de conversión de gas natural              | x 1 pc |
| 6, Kit de conversión de gas natural manual         | x 1 pc |
| 7, Kit de cable                                    | x 1 pc |



## Modelo aplicable:

2 piezas Fuelle Modelos	OFG101LP	OFG103LP	OFG104LP	OFG105LP	OFG110LP	OFG145LP
	OFG121LP	OFG126LP	OFG127LP	OFG128LP	OFG139LP	OFG147LP
1 pieza Fuelle Modelos	OFH101LP	OFH103LP	OFG201LP	OFM103LP	OFM104LP	OFM106LP



# INSTRUCCIÓN DE CONVERSIÓN DE GAS NATURAL

# 1

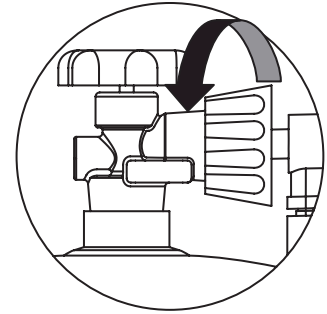


## ADVERTENCIA

**ASEGÚRESE DE QUE LA UNIDAD ESTÁ APAGADA Y COMPLETAMENTE FRÍA, Y EL SUMINISTRO DE GAS A LA UNIDAD ESTÁ APAGADO.**

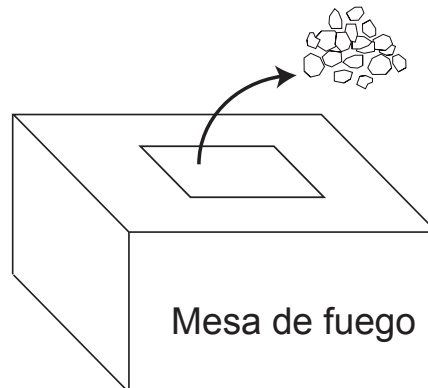
### Desconectar el tanque de gas LP

Asegúrese de que la válvula en el tanque de gas LP esté APAGADA. Desconecte girando la perilla en sentido antihorario hasta que se separe de la válvula.



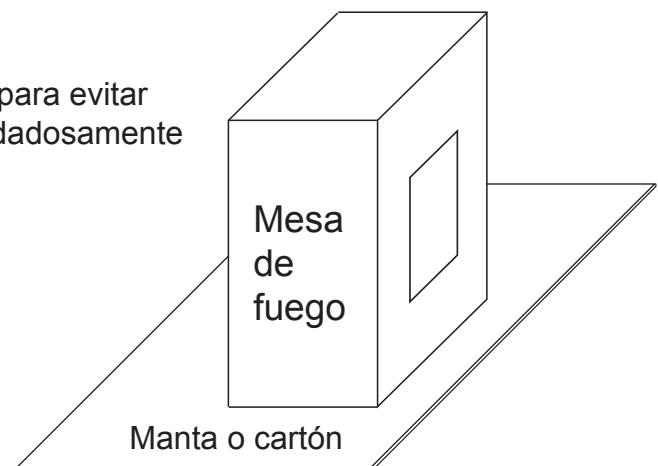
# 2

Retire la roca de lava del área de la bandeja del quemador con cuidado.



# 3

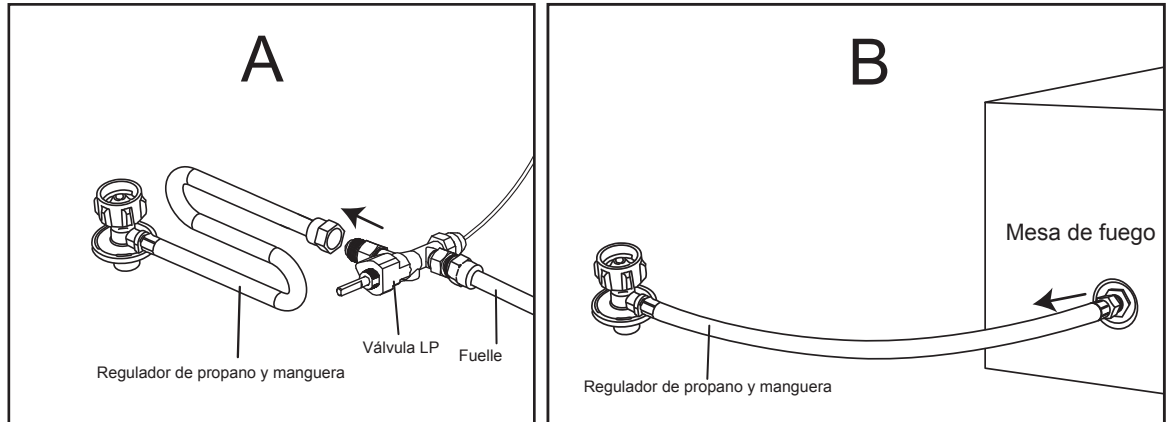
Coloque una manta o cartón para evitar dañar el acabado, incline cuidadosamente la unidad hacia un lado.



# INSTRUCCIÓN DE CONVERSIÓN DE GAS NATURAL

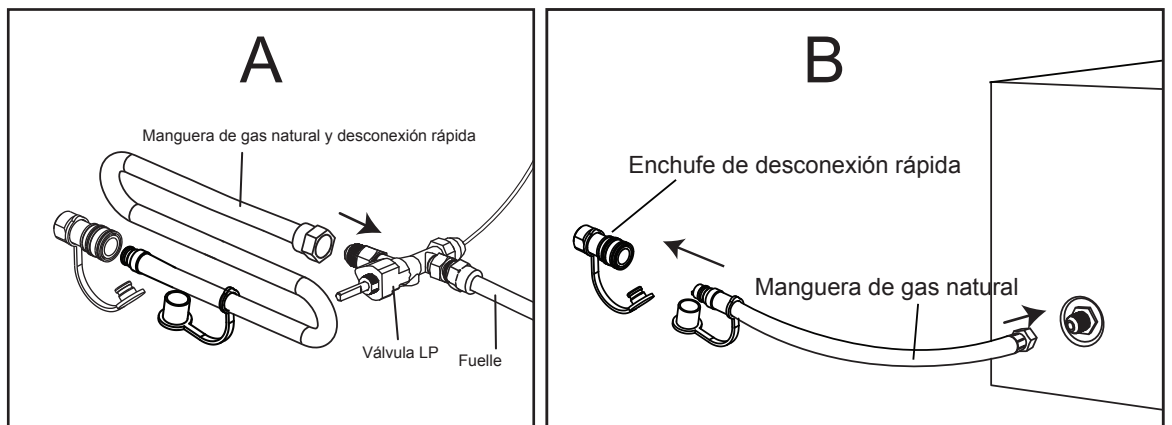
## 4

Desconecte el regulador de propano de la mesa de fuego.  
Para los modelos ONE Bellows, consulte A.  
Para DOS modelos de fuelles, consulte B.



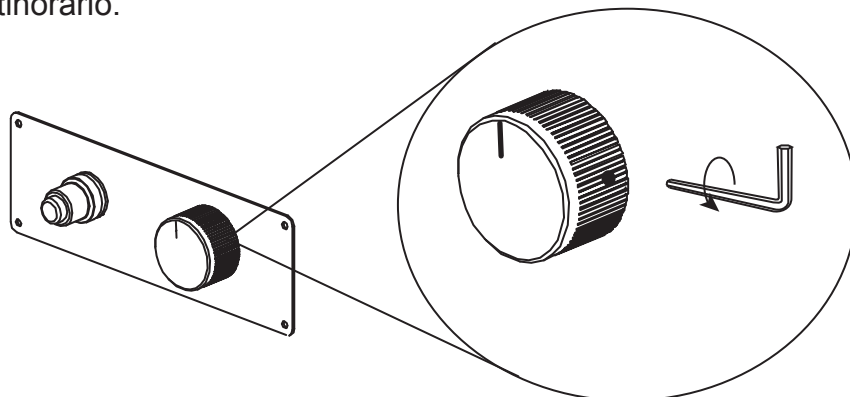
## 5

Conecte la manguera de GN a la unidad.  
Para los modelos ONE Bellows, consulte A.  
Para DOS modelos de fuelles, consulte B.



## 6

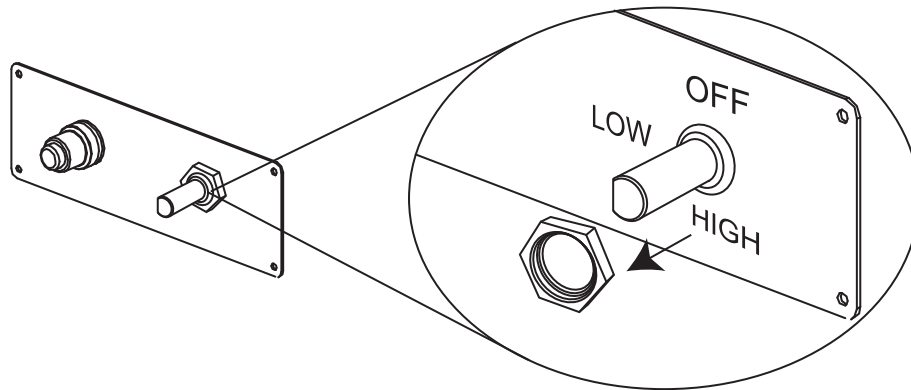
Desconecte la perilla de la válvula LP con un destornillador hexagonal, insértela en el pequeño orificio redondo en el costado de la perilla y gírela en sentido antihorario.



# INSTRUCCIÓN DE CONVERSIÓN DE GAS NATURAL

## 7

Gire la tuerca hexagonal en sentido antihorario para desconectar la válvula de propano del panel de control.

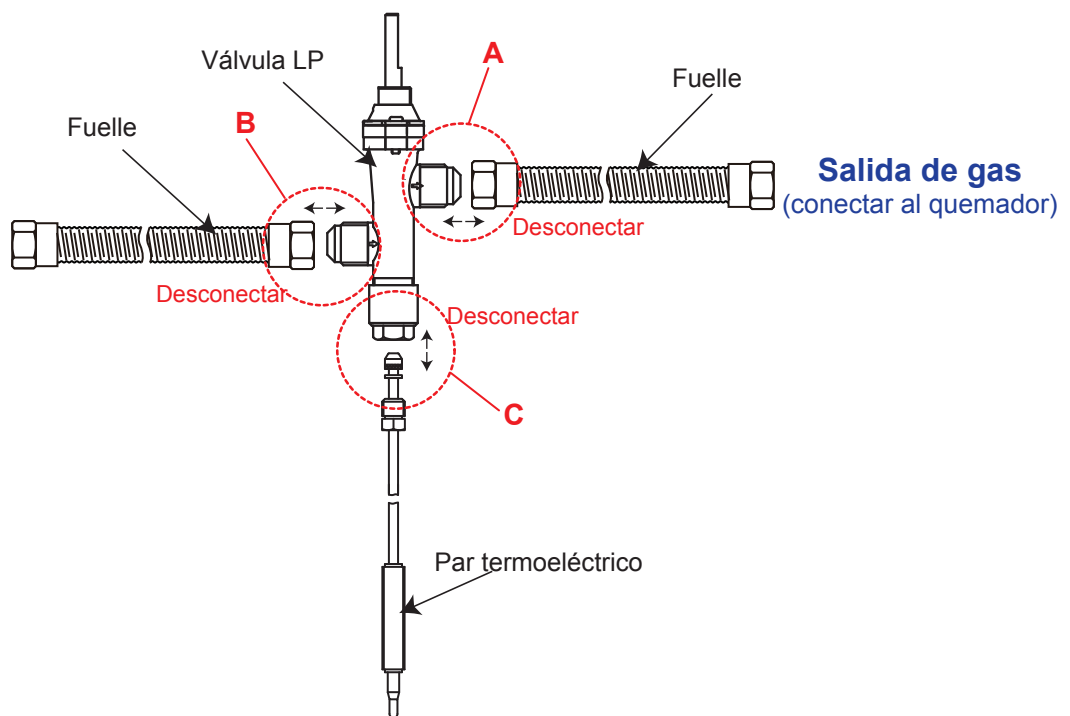


## 8

Desconecte el fuelle de la válvula LP.  
Para los modelos de fuelle de UNA pieza, consulte A.  
Para modelos de fuelles de DOS piezas, consulte A&B.

Desconecte el termopar de la válvula LP (vea C)

**Entrada de gas**  
(conectar al regulador)



## ADVERTENCIA

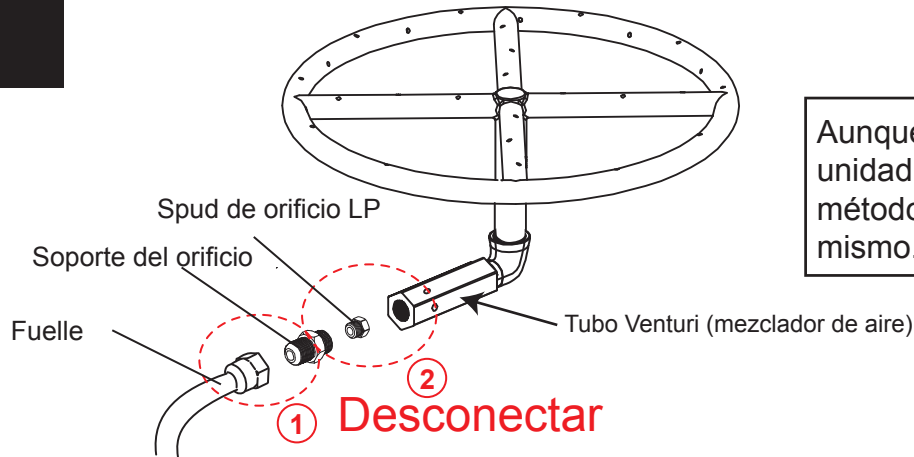
SOLO en sentido antihorario, la junta de latón en el fuelle al desconectarla de la válvula.  
NO gire el tubo de acero inoxidable. La rotación excesiva del tubo de acero inoxidable hará que la tubería de gas se tuerza o se rompa, causando fugas de gas.



# INSTRUCCIÓN DE CONVERSIÓN DE GAS NATURAL

## 9

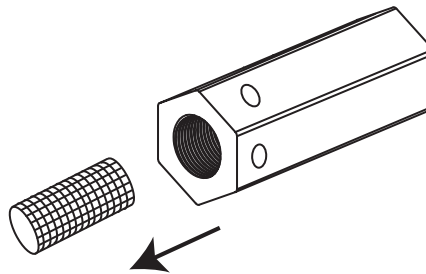
- 1 Desconecte el fuelle del soporte del orificio.
- 2 Desconecte el soporte del orificio y la espita de orificio LP del tubo Venturi (mezclador de aire).



Aunque el quemador de su unidad puede variar, el método de conversión es el mismo.

## 10

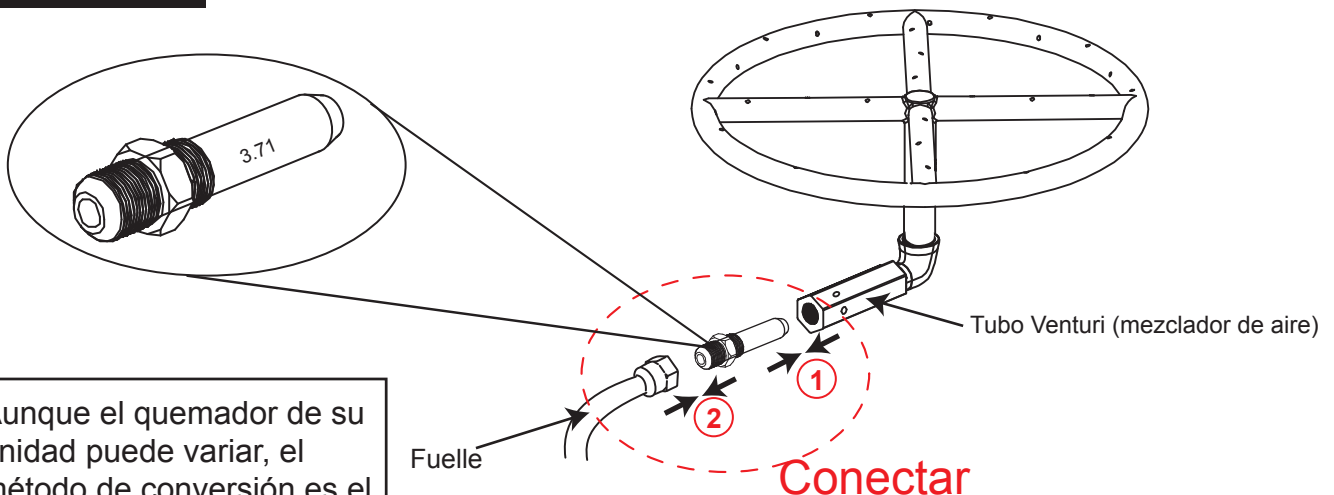
Saque la red de acero inoxidable del tubo Venturi (mezclador de aire). Asegúrese de que no haya redes de araña u otros desechos en el tubo.



## 11

Localice la nueva espita de orificio NG, verifique que sea el número correcto, el signo 3.71 mm debe estar al lado de la espita del orificio.

- 1 Atornille el nuevo orificio NG en el tubo Venturi (mezclador de aire).
- 2 Vuelva a colocar los fuelles en la espiga del orificio NG.



Aunque el quemador de su unidad puede variar, el método de conversión es el mismo.

# INSTRUCCIÓN DE CONVERSIÓN DE GAS NATURAL

# 12

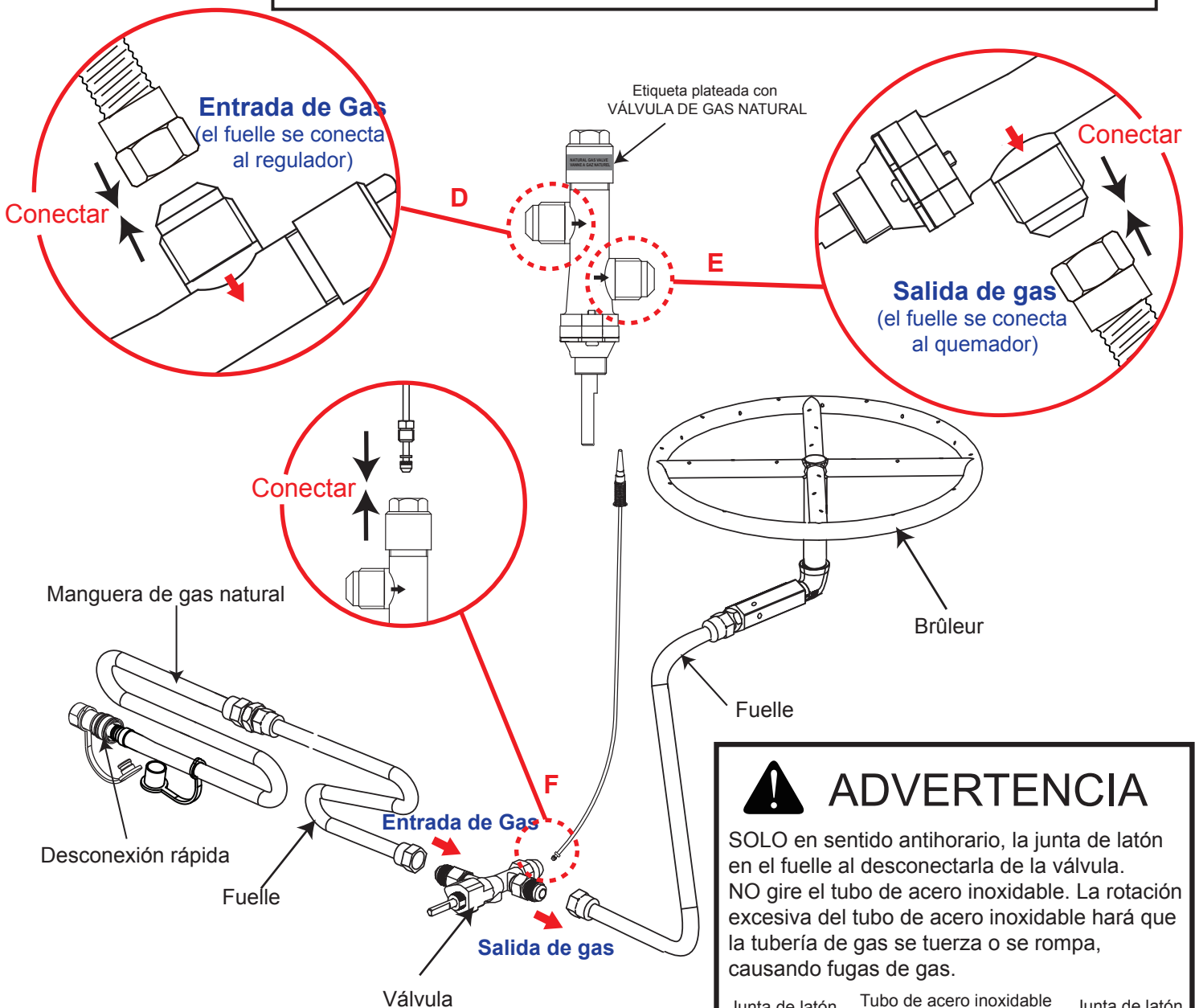
Localice la nueva válvula de GN, verifique que sea la correcta, la etiqueta amarilla con la VÁLVULA DE GAS NATURAL debe estar en la nueva válvula de GN.  
Vuelva a colocar los fuelles a la válvula NG.  
Para los modelos ONE Bellows, consulte E.  
Para los modelos de DOS fuelles, consulte D&E.  
Vuelva a conectar el termopar a la válvula NG (vea F)

Aunque el quemador de su unidad puede variar, el método de conversión es el mismo.

## ⚠ IMPORTANTE

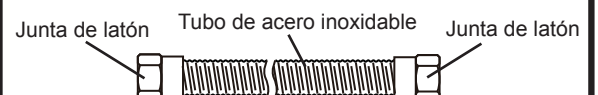
Tenga en cuenta que la válvula tiene una entrada de aire y una salida de aire con flechas que indican la dirección del flujo del gas, el gas sale de la tubería de gas natural → **Desconexión rápida y manguera de GN** → **Válvula** → **Orificio Spud** → **Quemador**.

El incumplimiento de las instrucciones podría provocar un incendio o una explosión, lo que podría causar daños a la propiedad, lesiones personales o la muerte.



## ADVERTENCIA

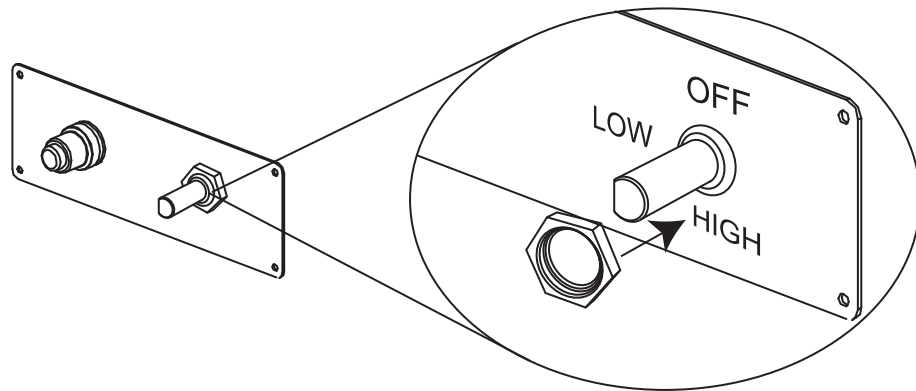
SOLO en sentido antihorario, la junta de latón en el fuelle al desconectarla de la válvula.  
NO gire el tubo de acero inoxidable. La rotación excesiva del tubo de acero inoxidable hará que la tubería de gas se tuerza o se rompa, causando fugas de gas.



# INSTRUCCIÓN DE CONVERSIÓN DE GAS NATURAL

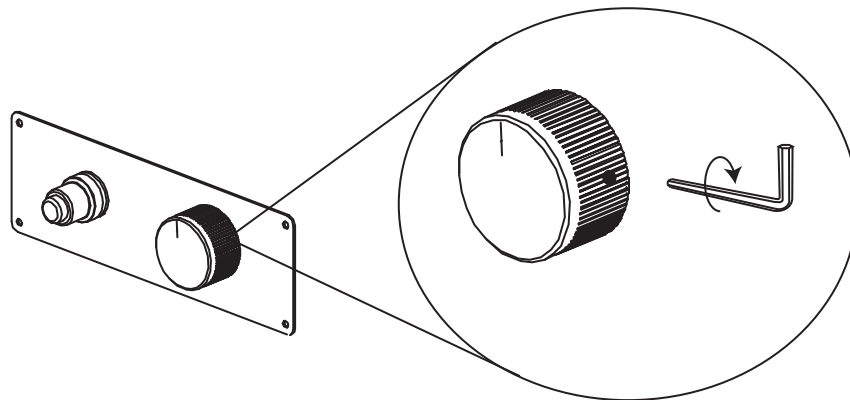
## 13

Conecte la nueva válvula NG al panel de control.



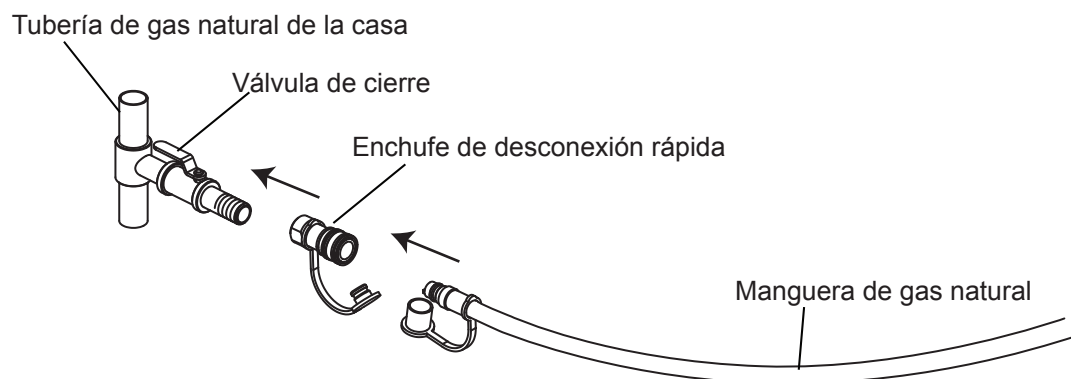
## 14

Conecte la perilla a la nueva válvula NG.



## 15

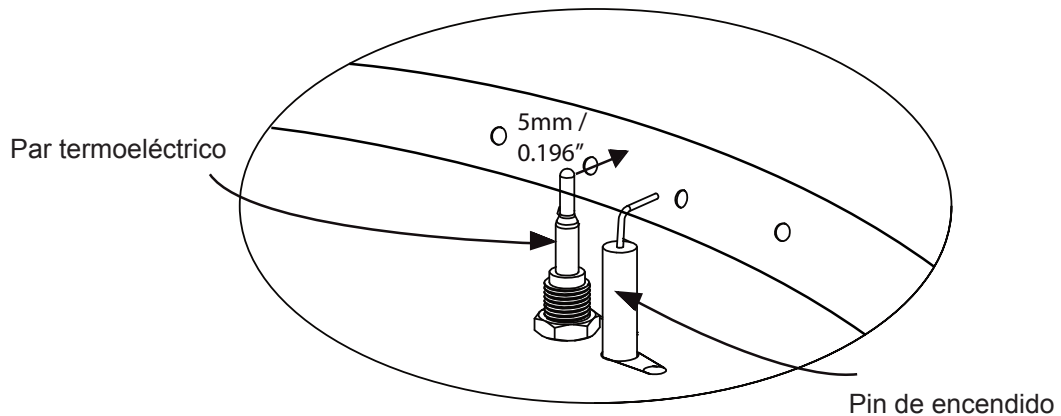
Conecte la desconexión rápida al suministro de gas.



# INSTRUCCIÓN DE CONVERSIÓN DE GAS NATURAL

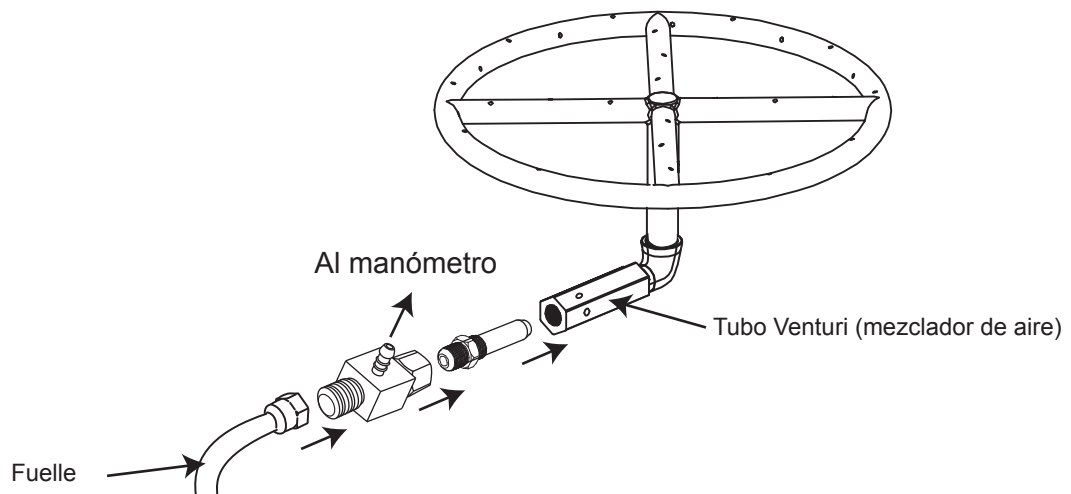
## 16

Después de instalar el kit de conversión, verifique la ubicación del termopar y el pasador de encendido utilizando la siguiente ilustración.



## 17

Nota para los técnicos de instalación. Verifique la presión del múltiple utilizando una unión en T acampanada de 3/8" (no incluida) en la ubicación marcada por la flecha a continuación. Luego, utilizando un manómetro digital, verifique que la presión antes del orificio sea de 7 "W.C. Verifique también que la espita del orificio tenga la marca de 3.71 mm. Esto le permitirá verificar que la clasificación de entrada del dispositivo sea correcta.



### ⚠ Instalación en altitud

Para instalaciones en elevaciones superiores a 2000 pies (610 m), comuníquese con su distribuidor local o proveedor de gas antes de realizar la instalación, ya que la clasificación de entrada debe reducirse aproximadamente un 4% por cada 1000 pies sobre el nivel del mar. Consulte el Código Nacional de Gas Combustible.

Póngase en contacto con Elementi para obtener más información al 800-678-7294

### ⚠ IMPORTANTE

La presión del colector adecuada para este electrodoméstico convertido es de 7 "W.C. ..

La presión máxima de entrada de gas para esta unidad es 10.5 in wc (2.61 kPa)

La presión mínima de entrada de gas para esta unidad es de 3.5 in wc (0.87 kPa)

# INSTRUCCIÓN DE CONVERSIÓN DE GAS NATURAL

# 18



**ADVERTENCIA** Antes de usar esta mesa de fuego al aire libre, asegúrese de haber leído, comprendido y seguido toda la información provista en el Sección importante de información de seguridad de este manual. El incumplimiento de esas instrucciones puede causar la muerte, lesiones graves o daños a la propiedad.

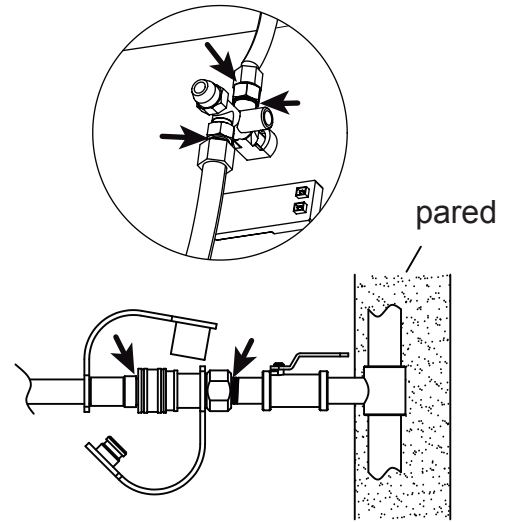
## Comprobación de fugas

Haga una solución de detección de fugas mezclando una parte de jabón líquido de lava platos con tres partes de agua en una botella de spray. Asegúrese que la perilla del control se encuentra en apagado (OFF). Después cambie el tanque de gas LP a encendido con el botón de encendido (ON) en la válvula.

Rocíe la solución en las conexiones de las válvulas prestando especial atención en las áreas indicadas por las flechas. En caso que aparezca cualquier burbuja, apague el tanque de gas LP con el botón de apagado (OFF), reconecte y pruebe nuevamente.

Si usted continúa viendo burbujas tras de varios intentos, desconecte el suministro de gas y contáctese con Elementi al 800-678-7294 para recibir asistencia.

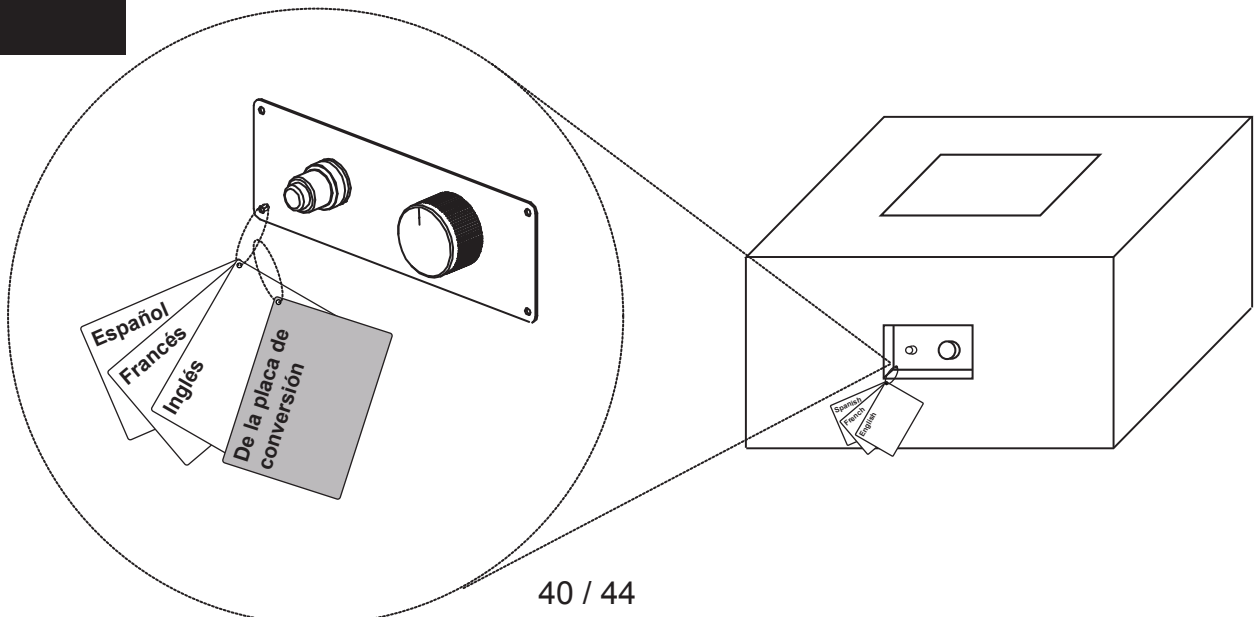
Si no aparecen burbujas después de un minuto, apague el tanque con el botón de apagado (OFF), limpie los residuos y continúe.



Verifique si hay fugas en estos lugares

# 19

Fije la placa de conversión NG incluida con este kit a la mesa de fuego usando el kit de cable incluido.





# INSTRUCCIONES DE ENCENDIDO

## Uso del encendedor

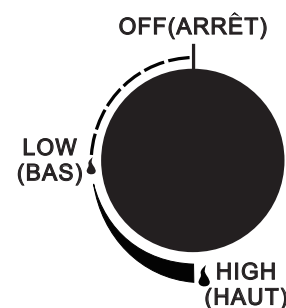
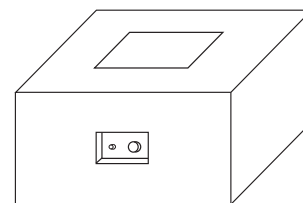
1. Lea las instrucciones antes de encender.
2. La perilla de control del quemador debe estar en la posición de APAGADO(OFF).
3. Conecte la fuente de gas natural (vea las páginas anteriores).
4. Abra el suministro de gas natural a la unidad.
5. Presione y mantenga presionado el botón de encendido para generar chispas.
6. Mientras sostiene el botón del encendedor con una mano, use la otra mano para girar el botón de control a la posición de encendido y encender el quemador.
7. Si la ignición no se produce en 5 segundos, presione y gire la perilla de control a "OFF", espere 5 minutos y permitir que el gas se disipe.
8. Una vez que el quemador esté encendido, continúe presionando la perilla por otros 20 segundos y luego suéltelo.
9. Observe la llama y asegúrese de que todos los orificios del quemador están encendidos La altura de la llama no lo hace. Debe exceder las 13 pulgadas.
10. Ajuste la llama a la altura deseada con la perilla de control.



**Mantenga cubierta la roca de lava y asegúrese de que esté seca antes de encender.**

## Usando un cerillo largo o un encendedor

1. Antes del encendido, utilice una pala para mover las rocas volcánicas para tener acceso al quemador.
2. Utilizando guantes resistentes al calor, ponga el cerillo o el encendedor prendido cerca de los quemadores. NO se incline en la mesa de fuego mientras enciende el dispositivo.
3. Presione y gire el control a la posición de encendido "LOW", para encender el quemador.
4. Remueva la cerilla larga o el encendedor.
5. Después de encendido, utilice una pala y guantes resistentes al calor para mover cuidadosamente las rocas volcánicas a su posición original.
6. Observe la llama, asegúrese que todos los puertos del quemador se encuentran encendidos. La altura de la llama no debería superar las 13 pulgadas de alto.
7. Ajuste la llama a la altura deseada con la perilla de control.



## ADVERTENCIA

Si la fama del quemador se apaga durante la operación, inmediatamente apague la perilla de control y deje que el gas se despeje un mínimo de 5 minutos antes de intentar volver a encender la mesa de fuego.



## ADVERTENCIA

Cuando utilice este método para encender su mesa de fuego, use guantes resistentes al calor y siga las instrucciones paso a paso. De lo contrario, podría sufrir lesiones graves.

# APAGANDO

1. Gire y empuje la perilla de control en el sentido de las agujas del reloj hasta la posición "OFF".
2. Cierre el suministro de gas en la válvula de cierre y desconecte la toma de desconexión rápida del suministro de gas principal.

# GARANTIA

Ocean Rock USA INC. Life Style haciendo negocios bajo el nombre de Elementi garantiza que los productos Elementi, sus características y accesorios están libres de defectos en sus partes y en su fabricación por el periodo de un año desde la fecha de compra bajo un uso normal de los productos. En el caso de tales defectos Elementi, a su criterio, reparara o reemplazara el producto defectuoso. Lo anterior queda bajo la discreción de Elementi.

No habrá ningún cargo por el reemplazo de las partes o el producto, sin embargo, el consumidor será responsable de devolver el producto a su lugar de compra original.

Elementi no será responsable por los daños consecuentes en exceso del precio de la compra del producto en los cuales tal responsabilidad es basada y la garantía no cubre los costos incluyendo, transporte, retirada y reinstalación.

Esta garantía es intransferible y se aplica solo para unidades que son para uso personal no comercial.

Bajo este acuerdo de garantía todas las conexiones de gas deben hacerse por un especialista calificado.

El daño causado por envíos, decoloración y abuso no están cubiertos bajo esta garantía.

Golpes, abolladuras, rasguños, decoloración no son cubiertos bajo esta garantía. La roca decorativa no está cubierta por esta garantía. Instalaciones, reparaciones, o modificaciones realizadas por cualquiera otro que no sea Elementi anularan esta garantía y cualquier daño causado por aquellos no quedara cubierto bajo esta garantía.

Abolladuras menores, decoloración por el clima, manchas de agua y grietas no estructurales son típicas del material de este producto y no son cubiertas por esta garantía. Algunas variaciones de colores y texturas de los materiales y las terminaciones del producto no están cubiertas por la garantía.

El concreto moldeado es un proceso de acabado a mano. Como tal, el acabado de este producto varía según la unidad. Habrá una variación de color de hasta 15% en cada unidad.

También puede haber textura desigual o en el patrón, así como pequeños agujeros en la superficie causada por el aire o el agua atrapada en la superficie durante la preparación. Este es una característica normal del concreto moldeado y no está cubierto por la garantía.



# ELEMENTI

THE ART OF FIRE

**Ocean Rock USA INC.**

692 Parkridge Ave Norco, CA 92860, USA

[www.elementifire.com](http://www.elementifire.com)

[info@elementifire.com](mailto:info@elementifire.com)

Tel: 800-678-7294