

# Woodland™ Series

## Electric Log Sets

The Woodland™ Series are electric log sets used in an insert style installation, just plug in and place in a pre-existing masonry fireplace. Backed by over 40 years of experience working with real flames, Napoleon is applying that knowledge to their rapidly growing electric fireplace line. These beautifully designed electric log sets offer authentic glowing logs and realistic flames. The Woodland™ series electric log sets come in two sizes and allows you to enjoy the look and ambiance of a gas or wood fireplace without any mess, fuss or costly installation fees.

### NEFI24H

5,000 BTU's

1,500 Watts

14 $\frac{1}{16}$ "h x 24"w x 14 $\frac{1}{16}$ "d

### NEFI27H

5,000 BTU's

1,500 Watts

15 $\frac{1}{16}$ "h x 26 $\frac{3}{8}$ "w x 14 $\frac{1}{16}$ "d

For more detailed specifications, see pages 18 - 19

LOW ENERGY  
**LED**  
HIGH INTENSITY

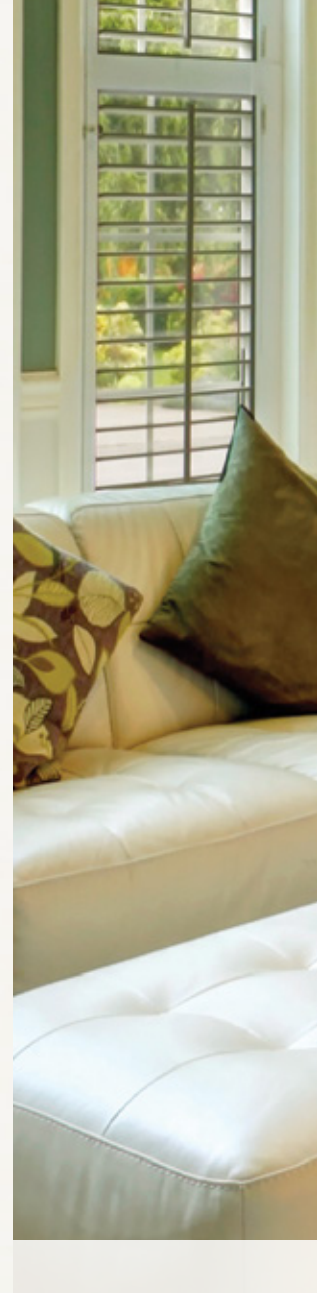
## Features & Accessories



Remote Control



Woodland™ 27 shown



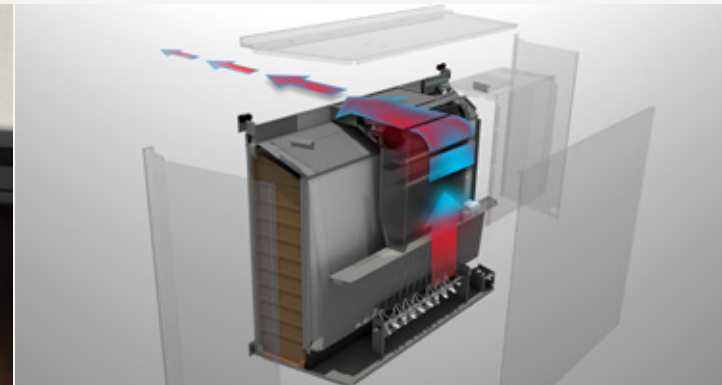


Woodland™ 24 shown



# Outstanding Features

of Napoleon's Advanced Technology



## Reliable LED Technology

Napoleon's electric fireplaces offer reliable LED technology for added convenience. LED lights are extremely energy efficient and long-lasting saving you the hassle of having to change out light bulbs. Plus LED lights are high intensity providing a product you can enjoy during both day and night time.

## Self Trimming

A self trimming flange on all of Napoleon's electric built-in fireplaces guarantees an easy installation and removes the difficulty of needing a perfect cut on your surrounding material. The self trimming flange provides a perfect clean finish every time.

## Small Details - Big Impact

Napoleon's non-reflective backing allows the fireplace flames to stand out while minimizing distracting reflections from the surrounding room. With flames, logs and ember beds this realistic, you're sure to fully enjoy them.

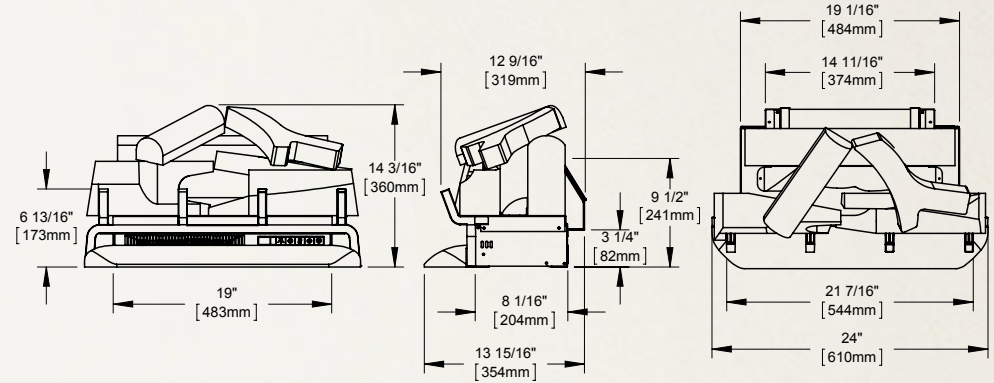
## Front Heat

Napoleon's built-in electric fireplaces are designed to blow heat out the front of the unit allowing a more efficient and direct route to zone heating your room.

## Transformation

All Napoleon's built-in products, including the Ascent™ series, Cinema™ series and Woodland™ log sets series, allow an affordable and quick transformation of an old masonry opening into a beautiful new fireplace and eliminates the chore of cleaning dirt and ashes of a traditional wood fireplace.

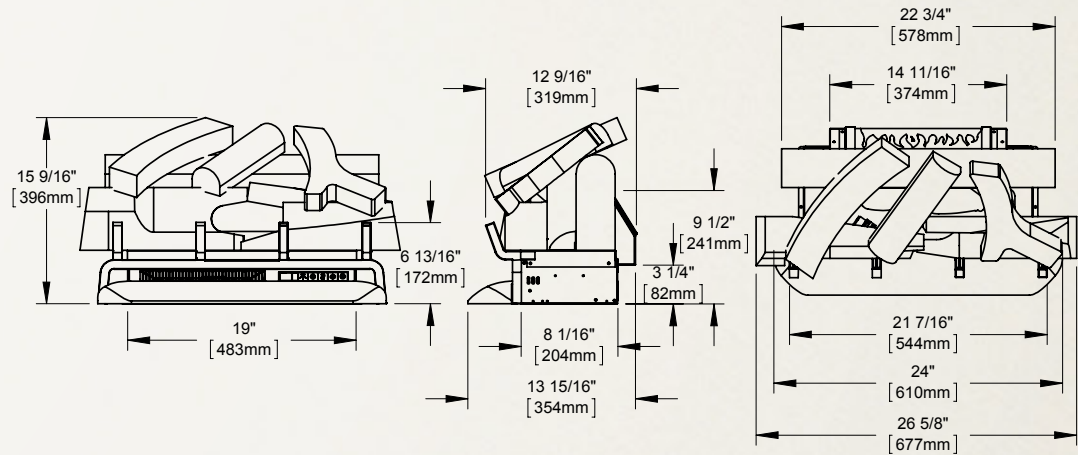
**Woodland™ 24**  
**NEFI24H**  
 Shown on pages 14 & 15



Model	BTU's	Watts	Height	Front Width	Depth	Installation	Mobile Home Certified	Blower	Remote Control
NEFI24H	5,000	1,500	14 3/16"	24"	14 1/16"	Insert	Yes	Standard	Standard

Certified under Canadian and American National Standards.

**Woodland™ 27**  
**NEFI27H**  
 Shown on pages 14 & 15



Model	BTU's	Watts	Height	Front Width	Depth	Installation	Mobile Home Certified	Blower	Remote Control
NEFI27H	5,000	1,500	15 9/16"	26 5/8"	14 1/16"	Insert	Yes	Standard	Standard

Certified under Canadian and American National Standards.

Figures may vary with individual conditions such as floor plan layout, insulation value/heat loss of the house and geographical location. Measurements to be used as a guide only. Consult your owner's manual for complete and up-to-date installation instructions and proper clearances to combustible materials.