

6.3 OPTIONAL NZ64 BLOWER INSTALLATION

! WARNING

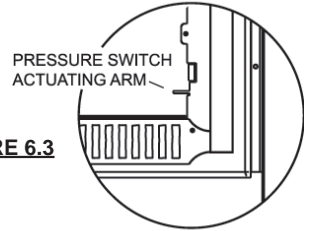
All wiring should be done by a qualified electrician and shall be in compliance with local codes and with the National Electric Code ANSI/NF No. 70-current (in the United States), or with the current CSC22.1 Canadian Electric Code (in Canada).

This fireplace is supplied with two micro (pressure) switches (*the blower on high draws 3.0 amps using 120V (approx. 360w)*) and a thermally activated switch.

Ensure that the pressure switch actuating arm protrudes through the faceplate when installed and moves freely.

The blower will only operate when the doors are fully closed and the air control is not set to it's "super low" burn rate.

FIGURE 6.3

**BLOWER INSTALLATION**

- A.** Position the blower to an inside or outside wall into a framed opening $12 \frac{3}{8}$ " wide by $10 \frac{1}{2}$ " high. (Outside wall not recommended in colder climates as cold air may be drawn into the house even when the blower is off.)

The blower housing should be installed onto a level surface large enough to support the blower assembly. Allow for finishing material when securing the blower housing, as the grille mounts to the housing.

COLLAR INSTALLATION

- B.** Determine which side of the unit the blower is to be located on. Remove and discard the cover plate and install the 6" collar.

Secure by reaching through the collar and bending the tabs.

Use sealant to ensure that the connection is air tight.

ELECTRICAL CONNECTION

- C.** Remove the junction box covers on the fireplace and the blower. Removing the junction box cover on the fireplace exposes 4 black, labeled wires:

Two wires labelled "by-pass" - go to by-pass (summer) switch (not supplied - overrides the thermally activated switch enabling the user to run the blower without heat).

IMPORTANT: If the by-pass, (summer) switch is not desired, terminate the wires by attaching wire nuts to by-pass (summer) switch wire leads separately (do not connect together).

One wire labelled "blower" - connects to KB-35 rheostat (not supplied) and then KB-35 blower wire connects to white blower wire.

One wire labelled "L1" - connects to power (hot lead).

- Removing the junction box cover on the blower exposes 3 coloured wires:

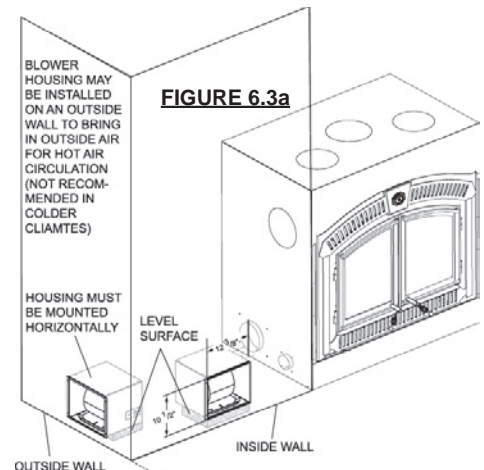


FIGURE 6.3b

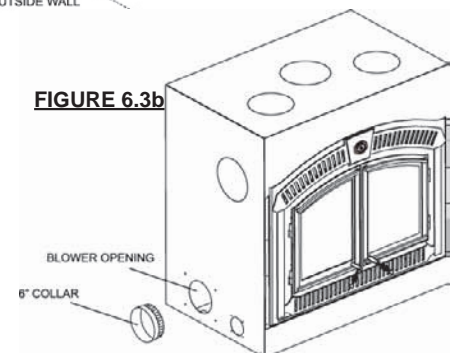
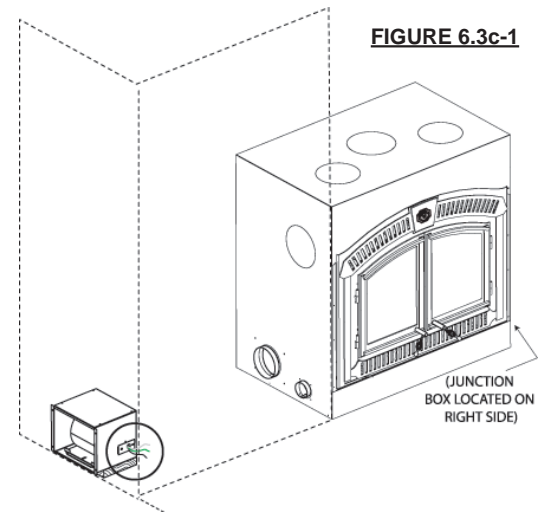


FIGURE 6.3c-1



- One black wire
 - connects to power "L2" (neutral lead).
- One green wire
 - connects to ground.
- One white wire
 - connects to KB-35 rheostat (not supplied) See above.

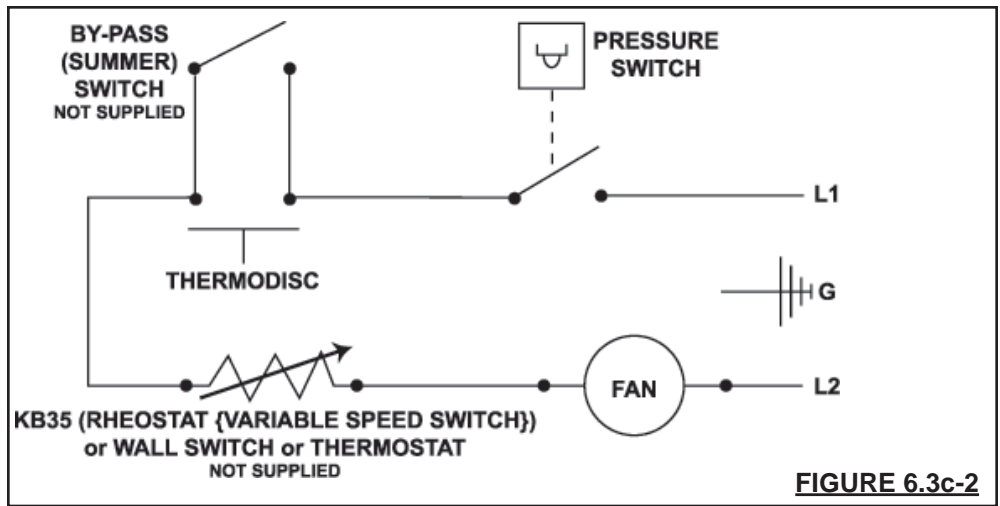
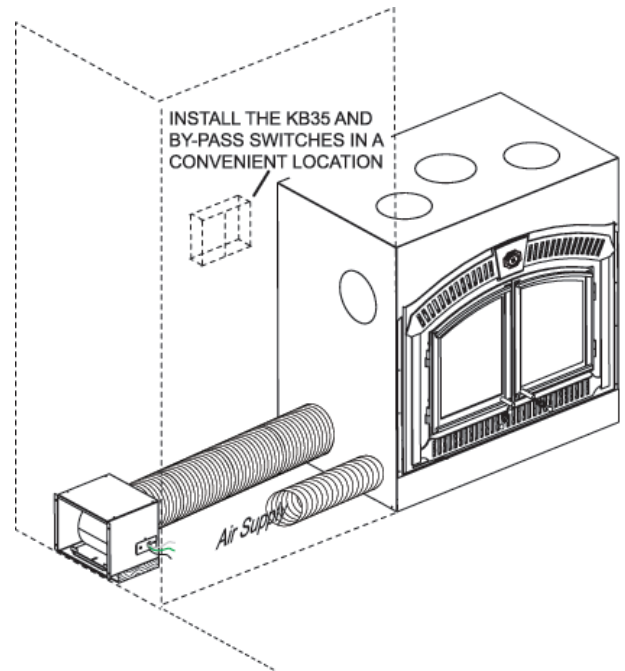


FIGURE 6.3c-2

FIGURE 6.3d



VENT CONNECTION

- D. Connect the 6" liner to the 6" fireplace collar and blower collars. Secure using 3 screws on each end and seal with caulking. Liner stretches to a maximum of 10'.

Grille AND FILTER INSTALLATION

- E. Insert the filter into the grille. Foam gasket (1/2" weather stripping) between the grille and blower housing is recommended, but not supplied. The blower filter is washable. The bottom lip of the grille latches over the bottom lip of the housing. Use two screws to secure the top of the grille to the facing.

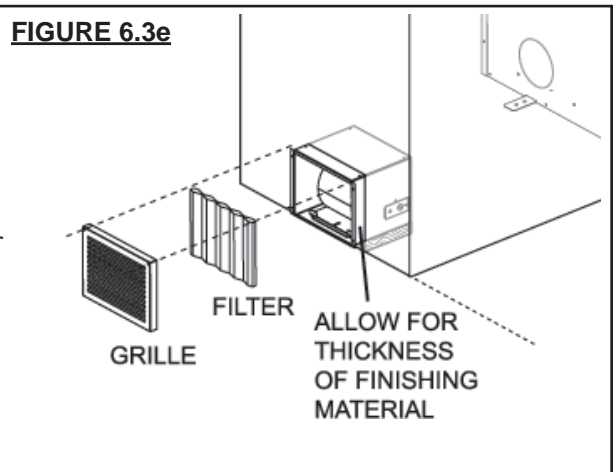


FIGURE 6.3e

6.4 NZ64 BLOWER REPLACEMENT

- A. Remove the grill and filter by removing the 2 securing screws.
- B. Remove the nut securing the blower bracket to the housing.
- C. Lift the handles to pull the blower and bracket off of the stud.
- D. Slide the bracket and blower out of the housing.
- E. Disconnect the wire connector from the blower.
- F. Remove the old blower from the bracket by removing the four screws.
- G. Secure the new blower to the existing bracket using the four screws.
- H. Slide the new blower/bracket assembly into the housing. Ensure that the blower bracket slides into the clips at the back of the housing on either side.
- I. Push the assembly into the housing as far in as possible.
- J. Secure the assembly to the housing using the nut removed in step B.
- K. Re-secure the grill by replacing the 2 securing screws.

FIGURE 6.4a

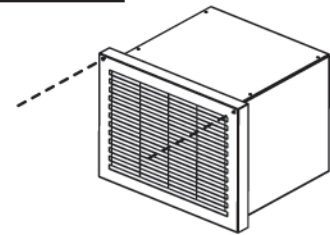


FIGURE 6.4b

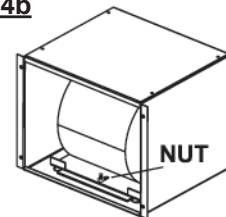


FIGURE 6.4c

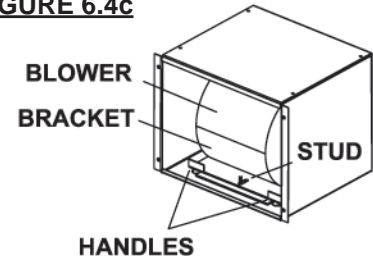


FIGURE 6.4d

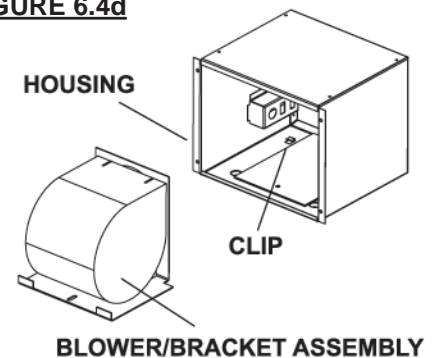


FIGURE 6.4f

