

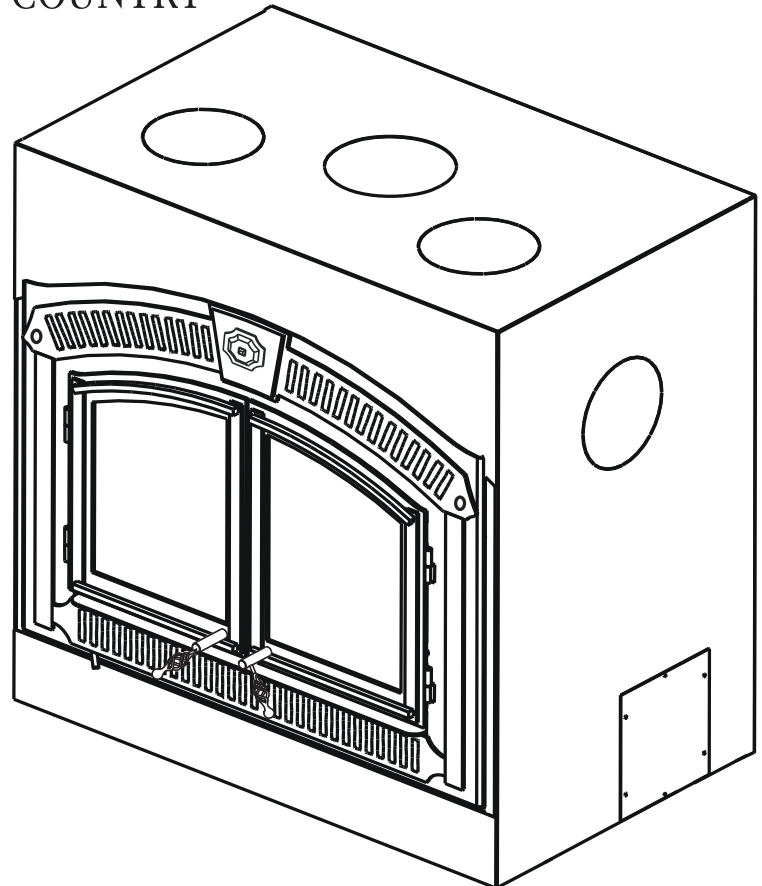
This wood appliance needs periodic inspection and repair. It is against United States federal regulations to operate this wood appliance in a manner inconsistent with the operating instructions in this manual.



INSTALLATION AND OPERATION MANUAL

HIGH COUNTRY™ 3000H-1

Eco Solid Fuel Burning Zero Clearance Appliance



U.S. ENVIRONMENTAL PROTECTION AGENCY (E.P.A.) CERTIFIED TO COMPLY WITH 2020 PARTICULATE EMISSION STANDARDS USING CORD WOOD. THIS APPLIANCE HAS BEEN TESTED BY POLYTESTS AND LISTED BY CSA GROUP TO STANDARDS: ULC S629, ULC S610 & UL103 HT FACTORY BUILT APPLIANCES AND TO ULC S640, ULC S639 & UL 1777 FOR STEEL LINER ASSEMBLIES FOR SOLID FUEL BURNING MASONRY APPLIANCES AS REFERENCED INTO 40 CFR PART 60 SUBPART AAA. REFERENCE #: 161746

INSTALLER:
Leave this manual with the appliance.

CONSUMER:
Retain this manual for future reference.

SAFETY INFORMATION

⚠ WARNING

If the information in these instructions are not followed exactly, a fire or explosion may result causing property damage, personal injury or death. Please read the entire manual before you install and use your appliance. This heater has not been tested with an unvented gas log set. To reduce risk of fire or injury, do not install an unvented gas log set into the heater.

- This heater can be very hot when burning.
- Combustible materials such as firewood, wet clothing, etc. placed too close can catch fire.
- Children and pets must be kept from touching the heater when it is hot.
- The chimney must be sound and free of cracks. Before installing this appliance, contact the local building or fire authority and follow their guidelines.
- Always operate this appliance with the door(s) or screen (where applicable) tightly closed.
- Burn wood behind the log retainer directly on the firebricks.
- Do not use an elevated grate or otherwise raise the fire.
- This appliance is designed to burn natural wood only. Higher efficiencies and lower emissions generally result when burning air dried seasoned hardwoods, as compared to softwoods or to green or freshly cut hardwoods.
- Do not start a fire with chemicals or fluids such as gasoline, engine oil, etc.
- Do not burn trash or garbage, lawn clippings/waste, rubber, waste petroleum products, paints or paint thinners/solvents, plastic, materials containing asbestos, construction debris, railroad ties or treated wood, manure or animal remains, salt water driftwood or salted materials, unseasoned wood, coal, charcoal, coloured paper, cardboard, plywood or particleboard. Burning these materials may result in release of toxic fumes or render the appliance ineffective and cause smoke.
- Do not let the appliance become hot enough for any part to glow red.

Wood Stoves ONLY

- At least 14 squares inches (90.3 square centimeters) of outside air must be admitted to the room or directly to the appliance through a 4" (101.6mm) diameter pipe.
- KEEP THE STOVE TOP TEMPERATURE BELOW 700°F (371°C). Attempts to achieve heat output rates that exceed design specifications can result in steel distortion and damage.



Wolf Steel Ltd., 24 Napoleon Rd., Barrie, ON, L4M 0G8 Canada / 103 Miller Drive, Crittenden, Kentucky, USA, 41030
Phone 1 (866) 820-8686 • www.napoleon.com • hearth@napoleon.com

! WARNING

- This appliance is hot when operated and can cause severe burns if contacted.
- Any changes or alterations to this appliance or its controls can be dangerous and is prohibited.
- Do not operate appliance before reading and understanding operating instructions. Failure to operate appliance according to operating instructions could cause fire or injury.
- Before installing this appliance, contact the local building or fire authority and follow their guidelines.
- This appliance must be installed by a qualified installer. Never try to repair or replace any part of the appliance unless instructions are given in this manual. All other work should be done by a trained technician.
- Risk of burns. The appliance should be turned off and cooled before servicing.
- Do not operate without fully assembling all components. Do not install damaged, incomplete or substitute components.
- Do not let the appliance become hot enough for any part to glow red.
- Risk of cuts and abrasions. Wear protective gloves, footwear and safety glasses during installation. Sheet metal edges may be sharp.
- All wiring should be done by a qualified electrician and shall be in compliance with local codes. In the absence of local codes, use the current CSA22.1 Canadian Electric Code in Canada or the current National Electric Code ANSI/NFPA No. 70 in the United States.
- If equipped, burning your appliance with the ash dump door ajar creates a fire hazard that may result in discoloration to the door, internal damage to the appliance or a house and/or chimney fire.
- Do not connect this appliance to a chimney flue serving another appliance.
- Clothing or other flammable material should not be placed on or near the appliance. Objects placed in front of the appliance must be kept a minimum of 48" (121.9cm) away from the front face of the appliance.
- Due to high temperatures, the appliance should be located out of traffic and away from furniture and draperies.
- Even after the appliance is off, it will remain hot for an extended period of time.
- Any safety screen or guard removed for servicing must be replaced prior to operating the appliance.
- Under no circumstances should this appliance be modified.
- This appliance must not be connected to a chimney flue pipe servicing a separate solid fuel burning appliance.
- Do not operate the appliance with the glass door removed, cracked or broken. Replacement of the glass should be done by a licensed or qualified service person.
- Do not strike or slam shut the appliance glass door.
- Only doors / optional fronts certified with the appliance are to be installed on the appliance.
- If the appliance is not properly installed, a house fire may result. Do not expose the appliance to the elements (ex. rain, etc.) and keep the appliance dry at all times. Wet insulation will produce an odour when the appliance is used.
- The chimney must be sound and free of cracks. Clean your chimney a minimum of twice a year and as required.
- Children and adults should be alerted to the hazards of high surface temperature and should stay away to avoid burns or clothing ignition.
- Young children should be carefully supervised when they are in the same room as the appliance. Toddlers, young children and others may be susceptible to accidental contact burns. A physical barrier is recommended if there are at risk individuals in the house. To restrict access to an appliance or stove, install an adjustable safety gate to keep toddlers, young children and other at risk individuals out of the room and away from hot surfaces.
- Ensure you have incorporated adequate safety measures to protect infants/toddlers from touching hot surfaces.
- Check with your local hearth specialty dealer for safety screens and hearth guards to protect children from hot surfaces. These screens and guards must be fastened to the floor.
- Keep the packaging material out of reach of children and dispose of the material in a safe manner. As with all plastic bags, these are not toys and should be kept away from children and infants.
- Do not start a fire with chemicals or fluids such as gasoline, engine oil, etc.



! WARNING

- Your appliance requires periodic maintenance and cleaning. Failure to maintain your appliance may lead to smoke spillage in your home.
- Ashes must be disposed in a metal container with a tight lid and placed on a non-combustible surface well away from the home or structure until completely cool.
- Ensure clearances to combustibles are maintained when building a mantel or shelves above the appliance. Elevated temperatures on the wall or in the air above the appliance can cause melting, discolouration or damage to decorations, a TV or other electronic components.

! WARNING: This product can expose you to chemicals including lead and lead compounds, which are known to the State of California to cause cancer, and chemicals including carbon monoxide, which are known to the State of California to cause birth defects or other reproductive harm. For more information, go to www.P65Warnings.ca.gov.

For wood appliances:

- Lower emissions generally result when burning air dried seasoned hardwoods, as compared to softwoods or too green or freshly cut hardwoods. Burning wet unseasoned wood can cause excessive creosote accumulation. When this is ignited it can cause a chimney fire that may result in a serious house fire.
- This appliance is designed to burn natural wood only. Do not burn trash or garbage, lawn clippings / waste, rubber, waste petroleum products, paints or paint thinners / solvents, plastic, materials containing asbestos, construction debris, railroad ties or treated wood, manure or animal remains, salt water driftwood or salted materials, unseasoned wood, coal, charcoal, coloured paper, gift wrapping, cardboard, plywood or particleboard. Burning these materials may result in release of toxic fumes or render the appliance ineffective and cause smoke.
- Burn wood directly on the firebricks. Do not elevate grate or otherwise raise the fire.
- Do not store wood within appliance installation clearances or within the space required for re-fueling and ash removal.
- If equipped, the catalyst must be installed and in good working order. It is recommended that the catalyst is inspected at least three times per heating season.

Do not use makeshift compromises during installation. Do not block or restrict air, grille or louvre openings. Do not add a hood. Burning your appliance with the door open or ajar creates a fire hazard that may result in a house and/or chimney fire. All venting connections must be in compliance with the chimney manufacturer's installation instructions. Clearances referred to throughout this manual are the minimum requirements.

Your appliance must be installed in accordance with all national and local building code standards and the standard of Chimney and Appliances, Vents and Solid Fuel Burning Appliance NFPA #211. Consult the authority having jurisdiction (such as municipal building department, fire department, fire prevention bureau, etc.) to determine the need to obtain a permit. If you are in doubt about the proper installation for your situation, contact your dealer or local building or fire official. The manufacturer does not guarantee that this appliance and its options will completely heat your entire home.

Expansion / contraction noises during heating up and cooling down cycles are normal and to be expected.

It is recommended that in all cases, the appliance be secured to the floor. Use the pallet packing brackets to accomplish this.



We suggest that our woodburning hearth products be installed and serviced by professionals who are certified in the U.S. by the National Fireplace Institute® (NFI) as NFI Woodburning Specialists or who are certified in Canada by Wood Energy Technical Training (WETT).



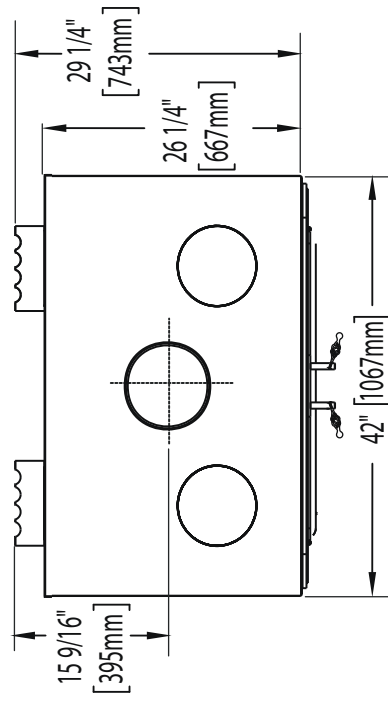
table of contents

1.0	dimensions	5	7.0	selecting wood	33
2.0	general information	6	8.0	operation	34
2.1	specifications	6	8.1	appliance operation	34
2.2	general instructions	6	8.2	bypass door	35
2.3	rating plate information	7	8.3	catalyst	36
2.4	high efficiency heating	8	8.4	operating sounds, smells and characteristics	36
2.4.1	hot air gravity vent system (NZ220)	8	8.5	air control	36
2.4.2	central heating system (NZ62CH)	9	8.6	fire extinguishers / smoke and carbon monoxide detectors	36
2.4.3	blower circulation (NZ64)	9	8.7	fuel loading and burn cycle	37
3.0	installation planning	10	8.8	lighting a fire	38
3.1	appliance placement	10	8.9	smoking	40
3.2	outside combustion air	11	8.10	overnight burn	40
3.3	floor protection	12	8.11	re-loading the appliance	40
3.3.1	ember strip and hearth extensions	12	9.0	maintenance	41
3.4	hearth examples	13	9.1	ash removal procedures	41
4.0	installation	14	9.2	catalyst inspection and replacement	41
4.1	chimney	14	9.3	creosote formation and removal	44
4.2	typical chimney installation	15	9.4	run-away or chimney fire	44
4.3	adding chimney sections	16	9.5	chimney cleaning	45
4.4	offset chimney installation	17	9.6	cast iron door glass and gasket replacement	46
4.5	installing flashing and storm collar	18	9.7	glass replacement	46
4.6	typical existing masonry	18	9.8	internal gasket replacement	47
5.0	framing	19	9.9	care of glass	50
5.1	clearance to combustibles	19	9.10	care of catalyst	50
5.2	minimum enclosure clearances	20	9.11	care of plated parts	50
5.3	minimum mantel clearances	20	9.12	NZ64 blower replacement	51
6.0	finishing	21	10.0	replacement parts	52
6.1	ventilation openings	22	10.1	overview	52
6.2	baffle installation	23	11.0	troubleshooting	54
6.3	faceplate installation	24	11.1	general troubleshooting	54
6.3.1	template removal	24	11.2	catalyst troubleshooting	55
6.3.2	faceplate, hinge, ash lip and air control arm installation	24	12.0	warranty	56
6.3.3	door installation	25			
6.3.4	door gap adjustment	26			
6.3.5	catalyst temperature monitor installation	27			
6.4	optional NZ64 blower installation	30			

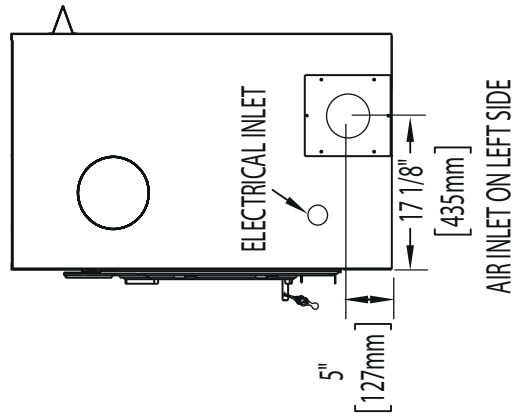
note:

The information throughout this manual is believed to be correct at the time of printing. Wolf Steel Ltd. reserves the right to change or modify any information within this manual at any time without notice. Changes, other than editorial, are denoted by a vertical line in the margin.

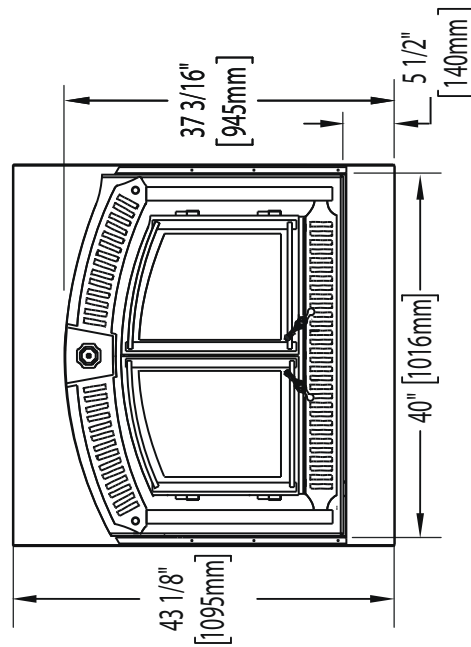
TOP VIEW



RIGHT SIDE VIEW



FRONT VIEW



2.0 general information

WARNING

- This appliance and its components are designed to be installed and operated as a system. Any alteration to or substitution for items in this system, unless allowed by these installation instructions, will void the CSA Group listing and may void the product warranty. It may also create a hazardous installation. Read through these instructions thoroughly before starting your installation and follow them carefully throughout your project.

2.1 specifications

Emissions	1.38g/hr		
Efficiency	Overall	LHV	HHV
	67.90%	68.55%	63.42%
Chamber (D.W.H.)	13.75" x 25.75" x 12.5" (349mm x 654mm x 318mm)		
Viewing Area	391.22in ² (2524cm ²)		
Capacity	2.3 Cubic Feet (0.07 Cubic Meter)		
Approximate Area Heated*	Up to 3,000 Square Feet (279 Square Meter)		
Heat Output**	60,000 BTU (17.6 KW)		
Duration Low Fire*	17 hrs		
Weight	551 lbs (249.9kg)		
Ideal Wood Length	25" (63.5cm)		
Optional Blower	318 CFM		
Combustion Air	Inside or Outside		
Electrical Draw	< 12 Amps		
Heat Output Range***	14,215 to 42,203 BTU		
Minimum Stack Height ****	15 feet (4.5m)		
Efficiency Standard	B415.1-10		

* Figures will vary considerably with individual conditions.

** Wolf Steel Ltd. estimated realistic BTU/hr with hardwood logs and regular refueling.

*** Under specific test conditions conducted during EPA emission testing, this heater delivered heat at these rates in the chart above. The heater operates at its best efficiency when operated on high.

**** Required in order to achieve proper draft.

2.2 general instructions

WARNING

- Before installing this appliance, contact the local building or fire authority and follow their guidelines.
- This appliance must be installed by a qualified installer. Follow the installation directions. Do not operate without fully assembling all components.
- If this appliance is not properly installed, a house fire may result.
- Do not expose the appliance to the elements (ex. rain, etc.) and keep the appliance dry at all times. Wet insulation will produce an odour when the appliance is used.
- This appliance is hot when operated and can cause severe burns if contacted. Children and pets must be kept from touching the appliance when it is hot. Contact your local authorized dealer/distributor for safety screens that may be available for this product.
- Combustible material such as firewood, wet clothing, etc. placed too close can catch fire. Objects placed in front of the appliance must be kept a minimum of 48" (121.9cm) from the front of the appliance.
- All wiring should be done by a qualified electrician and shall be in compliance with local codes and with the current National Electric Code ANSI/NFPA No. 70 (in the United States), or the current CSA C22.1 Canadian Electric Code (in Canada).
- This wood heater contains a catalytic combustor, which needs periodic inspection and replacement for proper operation. It is against United States Federal regulations to operate this wood heater in a manner inconsistent with operating instructions in this manual, or if the catalytic element is deactivated or removed.
- Do not use a fireplace insert or other products not specified for use with this fireplace.

2.3 rating plate information

Rating plate is located behind the appliance faceplate, underneath the firebox.

This illustration is for reference only. Refer to the rating plate on the appliance for accurate information.

<p>U.S. Environmental Protection Agency (E.P.A.) Certified to comply with 2020 particulate emission standards using cord wood. 40 CFR Part 60, Subpart AAA. EPA test method 28R, ASTM E2515 and ASTM E2780. Certified emission rate of 1.38g/h. Certified efficiency rate of 67.9%.</p>		<p>L'Agence de Protection de l'Environnement Américaine (E.P.A.) Certifié selon les normes d'émission de particule de 2020 de l'Agence de Protection de l'Environnement Américaine (E.P.A.) en utilisant au bois de corde. 40 CFR Partie 60, Subpartie AAA. Méthode de test 28R, ASTM E2515 et ASTM E2780. Taux d'émission de 1.38g/h certifié. Taux d'efficacité de 67.9% certifié.</p>																																																																									
<p>MINIMUM CLEARANCES TO COMBUSTIBLES:</p> <table border="1"> <tr><td>REAR</td><td>0" (0 mm)</td><td>TO STAND-OFFS</td></tr> <tr><td>SIDE</td><td>6" (153 mm)</td><td>FROM SIDE OF UNIT</td></tr> <tr><td>FLOOR</td><td>0" (0 mm)</td><td>FROM BASE OF UNIT</td></tr> <tr><td>HEADER</td><td>84" (2.13 m)</td><td>FROM BASE OF UNIT</td></tr> <tr><td>CHIMNEY</td><td>2" (51 mm)</td><td>REFER TO MANUFACTURER'S INSTALLATION INSTRUCTIONS.</td></tr> <tr><td>MANTEL</td><td>12" (305 mm)</td><td>TO TOP EDGE OF FACEPLATE.</td></tr> <tr><td>TOP FACING</td><td>84" (2.13 m)</td><td>FROM BASE OF UNIT</td></tr> <tr><td>SIDE FACING</td><td>6" (153 mm)</td><td>FROM SIDE OF UNIT</td></tr> <tr><td>ADJACENT SIDEWALL</td><td>21" (534 mm)</td><td>TO EDGE OF FACEPLATE</td></tr> <tr><td>HEARTH PROTECTION</td><td>21" (534 mm)</td><td>FROM FRONT OF UNIT</td></tr> <tr><td>HEARTH PROTECTION</td><td>12" (305 mm)</td><td>FROM SIDES OF UNIT</td></tr> <tr><td>*TOP OF UNIT (ENCLOSURE CEILING)</td><td>84" (2.13 m)</td><td>FROM BASE OF UNIT</td></tr> </table>		REAR	0" (0 mm)	TO STAND-OFFS	SIDE	6" (153 mm)	FROM SIDE OF UNIT	FLOOR	0" (0 mm)	FROM BASE OF UNIT	HEADER	84" (2.13 m)	FROM BASE OF UNIT	CHIMNEY	2" (51 mm)	REFER TO MANUFACTURER'S INSTALLATION INSTRUCTIONS.	MANTEL	12" (305 mm)	TO TOP EDGE OF FACEPLATE.	TOP FACING	84" (2.13 m)	FROM BASE OF UNIT	SIDE FACING	6" (153 mm)	FROM SIDE OF UNIT	ADJACENT SIDEWALL	21" (534 mm)	TO EDGE OF FACEPLATE	HEARTH PROTECTION	21" (534 mm)	FROM FRONT OF UNIT	HEARTH PROTECTION	12" (305 mm)	FROM SIDES OF UNIT	*TOP OF UNIT (ENCLOSURE CEILING)	84" (2.13 m)	FROM BASE OF UNIT	<p>DÉGAGEMENTS MINIMAUX AUX MATÉRIEAUX COMBUSTIBLES</p> <table border="1"> <tr><td>ARRIÈRE</td><td>0" (0 mm)</td><td>AUX ESPACEURS</td></tr> <tr><td>CÔTÉ</td><td>6" (153 mm)</td><td>DU CÔTÉ DE L'APPAREIL</td></tr> <tr><td>PLANCHER</td><td>0" (0 mm)</td><td>DE LA BASE DE L'APPAREIL</td></tr> <tr><td>LINTEAU</td><td>84" (2.13 m)</td><td>DE LA BASE DE L'APPAREIL</td></tr> <tr><td>CHEMINÉE</td><td>2" (51 mm)</td><td>RÉFÉREZ-VOUS AU MANUEL D'INSTRUCTIONS DU FABRICANT</td></tr> <tr><td>TABLETTE</td><td>12" (305 mm)</td><td>DU HAUT DE LA FAÇADE</td></tr> <tr><td>DESSUS</td><td>84" (2.13 m)</td><td>DE LA BASE DE L'APPAREIL</td></tr> <tr><td>CÔTÉ</td><td>6" (153 mm)</td><td>DU CÔTÉ DE L'APPAREIL</td></tr> <tr><td>MUR LATÉRAL ADJACENT</td><td>21" (534 mm)</td><td>DU BORD DE LA FAÇADE</td></tr> <tr><td>PROTECTION DE PLANCHER</td><td>21" (534 mm)</td><td>DEVANT DU FOYER</td></tr> <tr><td>PROTECTION DE PLANCHER</td><td>12" (305 mm)</td><td>DES CÔTÉS DU FOYER</td></tr> <tr><td>*HAUT DE L'APPAREIL (PLAFOND DE L'ENCLAVE)</td><td>84" (2.13 m)</td><td>DE LA BASE DE L'APPAREIL</td></tr> </table>		ARRIÈRE	0" (0 mm)	AUX ESPACEURS	CÔTÉ	6" (153 mm)	DU CÔTÉ DE L'APPAREIL	PLANCHER	0" (0 mm)	DE LA BASE DE L'APPAREIL	LINTEAU	84" (2.13 m)	DE LA BASE DE L'APPAREIL	CHEMINÉE	2" (51 mm)	RÉFÉREZ-VOUS AU MANUEL D'INSTRUCTIONS DU FABRICANT	TABLETTE	12" (305 mm)	DU HAUT DE LA FAÇADE	DESSUS	84" (2.13 m)	DE LA BASE DE L'APPAREIL	CÔTÉ	6" (153 mm)	DU CÔTÉ DE L'APPAREIL	MUR LATÉRAL ADJACENT	21" (534 mm)	DU BORD DE LA FAÇADE	PROTECTION DE PLANCHER	21" (534 mm)	DEVANT DU FOYER	PROTECTION DE PLANCHER	12" (305 mm)	DES CÔTÉS DU FOYER	*HAUT DE L'APPAREIL (PLAFOND DE L'ENCLAVE)	84" (2.13 m)	DE LA BASE DE L'APPAREIL
REAR	0" (0 mm)	TO STAND-OFFS																																																																									
SIDE	6" (153 mm)	FROM SIDE OF UNIT																																																																									
FLOOR	0" (0 mm)	FROM BASE OF UNIT																																																																									
HEADER	84" (2.13 m)	FROM BASE OF UNIT																																																																									
CHIMNEY	2" (51 mm)	REFER TO MANUFACTURER'S INSTALLATION INSTRUCTIONS.																																																																									
MANTEL	12" (305 mm)	TO TOP EDGE OF FACEPLATE.																																																																									
TOP FACING	84" (2.13 m)	FROM BASE OF UNIT																																																																									
SIDE FACING	6" (153 mm)	FROM SIDE OF UNIT																																																																									
ADJACENT SIDEWALL	21" (534 mm)	TO EDGE OF FACEPLATE																																																																									
HEARTH PROTECTION	21" (534 mm)	FROM FRONT OF UNIT																																																																									
HEARTH PROTECTION	12" (305 mm)	FROM SIDES OF UNIT																																																																									
*TOP OF UNIT (ENCLOSURE CEILING)	84" (2.13 m)	FROM BASE OF UNIT																																																																									
ARRIÈRE	0" (0 mm)	AUX ESPACEURS																																																																									
CÔTÉ	6" (153 mm)	DU CÔTÉ DE L'APPAREIL																																																																									
PLANCHER	0" (0 mm)	DE LA BASE DE L'APPAREIL																																																																									
LINTEAU	84" (2.13 m)	DE LA BASE DE L'APPAREIL																																																																									
CHEMINÉE	2" (51 mm)	RÉFÉREZ-VOUS AU MANUEL D'INSTRUCTIONS DU FABRICANT																																																																									
TABLETTE	12" (305 mm)	DU HAUT DE LA FAÇADE																																																																									
DESSUS	84" (2.13 m)	DE LA BASE DE L'APPAREIL																																																																									
CÔTÉ	6" (153 mm)	DU CÔTÉ DE L'APPAREIL																																																																									
MUR LATÉRAL ADJACENT	21" (534 mm)	DU BORD DE LA FAÇADE																																																																									
PROTECTION DE PLANCHER	21" (534 mm)	DEVANT DU FOYER																																																																									
PROTECTION DE PLANCHER	12" (305 mm)	DES CÔTÉS DU FOYER																																																																									
*HAUT DE L'APPAREIL (PLAFOND DE L'ENCLAVE)	84" (2.13 m)	DE LA BASE DE L'APPAREIL																																																																									
<p>*FOR FURTHER INFORMATION SEE THE MANUFACTURER'S INSTALLATION AND OPERATING MANUAL.</p>		<p>*POUR PLUS D'INFORMATIONS, CONSULTEZ LE MANUEL D'INSTRUCTIONS DU FABRICANT.</p>																																																																									
<p>DO NOT REMOVE THIS LABEL</p>		<p>NE RETIREZ PAS CETTE PLAQUE</p>																																																																									

<p>C US REFERENCE #: 161746 <input type="checkbox"/> 9700539 (WSL) <input type="checkbox"/> 4001657 (NGZ) <input type="checkbox"/> 4001658 (NAC) <input type="checkbox"/> 4001659 (WUSA)</p>	<p>LISTED FACTORY BUILT FIREPLACE / FOYER PRÉFABRIQUÉ HOMOLOGUÉ</p>	<p>CERTIFIED TO / CERTIFIÉ SELON: ULC S610, UL-127 Overall Efficiency/Efficacité Totale: 67.9% U-Val: 0.855% H-HV: 83.42%</p>	<p>COMPONENTS REQUIRED FOR INSTALLATION:</p> <p>SHIPPED WITH THE FIREPLACE: INSTALLATION MANUAL SAFETY FIBER STRIP</p> <p>SHIPPED WITH THE DOORS: INSTALLATION INSTRUCTIONS AND HARDWARE</p>	<p>SHIPPED WITH FACEPLATE: FACEPLATE INSTALLATION INSTRUCTIONS AND HARDWARE</p>	<p>PREVENT CREOSOTE FIRE, INSPECT CHIMNEY AND CHIMNEY CONNECTOR, IF APPLICABLE, TWICE MONTHLY AND CLEAN IF NECESSARY. DO NOT OVERRIDE IF EXTERIOR OF UNIT GLOWS RED, YOU ARE OVERRIDING. KEEP FURNISHINGS AND OTHER COMBUSTIBLE MATERIALS A CONSIDERABLE DISTANCE AWAY FROM APPLIANCE. TYPE OF FUEL: CORD WOOD ONLY. PRÉVENIR LES FELIX DE CRÉOSOTE, INSPECTEZ LA CHEMINÉE OU LE RACCORD DE CHEMINÉE, SI APPLICABLE, DEUX FOIS PAR MOIS ET NETTOYÉZ SI NÉCESSAIRE. NE SURCHAUFFEZ PAS, SI L'EXTÉRIEUR DE L'APPAREIL DEVIENT ROUGE, VOUS SURCHAUFFEZ. GARDEZ LES MEUBLES ET AUTRES MATÉRIELS COMBUSTIBLES À UNE DISTANCE CONSIDÉRABLE DE L'APPAREIL DE CHAUFFAGE. TYPE DE COMBUSTIBLE: BOIS DE CORDE SEULEMENT.</p>																			
		<p>SERIAL NO. NZ3000H-1</p> <p>MODEL NO. NZ3000H-1 N° DE MODÈLE NZ3000H-1</p>	<p>CHIMNEY REQUIREMENTS (see installation manual): Chimney must be certified to one of the following standards: ULC S629 or ULC S610 for Canada or UL 103 HT for the United States. Masonry chimney installation: Stainless steel liner must be certified to ULC S640 or ULC S639 for Canada or UL 1777 for the United States.</p> <table border="1"> <tr><td>MINIMUM CHIMNEY HEIGHT</td><td>15 ft (4.57 m)</td><td>MAXIMUM NUMBER OF ELBOWS</td><td>4</td></tr> <tr><td>MAXIMUM CHIMNEY HEIGHT</td><td>34 ft (10.36 m)</td><td>CHIMNEY</td><td>7°</td></tr> <tr><td>MAXIMUM OFFSET ANGLE</td><td colspan="3">30° US - 45° CANADA</td></tr> </table>	MINIMUM CHIMNEY HEIGHT	15 ft (4.57 m)	MAXIMUM NUMBER OF ELBOWS	4	MAXIMUM CHIMNEY HEIGHT	34 ft (10.36 m)	CHIMNEY	7°	MAXIMUM OFFSET ANGLE	30° US - 45° CANADA			<p>COMPOSANTS REQUIS POUR L'INSTALLATION:</p> <p>LIVRÉ AVEC LE FOYER MANUEL D'INSTRUCTIONS DÉFLECTEUR PARE-BRAISSES</p> <p>LIVRÉ AVEC LA FAÇADE: FAÇADE INSTRUCTIONS D'INSTALLATION ET QUINCAILLERIE</p> <p>LIVRÉ AVEC LA(S) PORT(E)S : INSTRUCTIONS D'INSTALLATION ET QUINCAILLERIE</p> <p>EXIGENCES POUR LA CHEMINÉE (voir le manuel d'instructions) La cheminée doit être certifiée selon l'une des normes suivantes: ULC S629 ou ULC S610 pour Canada ou UL 103 HT pour les États-Unis. Installation dans une cheminée en maçonnerie: La gaine en acier inoxydable doit être certifiée selon les normes ULC S640 ou ULC S639 pour Canada ou UL 1777 pour les États-Unis.</p> <table border="1"> <tr><td>HAUTEUR MINIMALE DE LA CHEMINÉE</td><td>15 pi (4.57 m)</td><td>NOMBRE MAXIMAL DE COUDES 4</td></tr> <tr><td>HAUTEUR MAXIMALE DE LA CHEMINÉE</td><td>34 pi (10.36 m)</td><td>LA CHEMINÉE 7°</td></tr> <tr><td>ANGLE DE DÉVIATION MAXIMAL</td><td colspan="2">30° E.U. - 45° CANADA</td></tr> </table>	HAUTEUR MINIMALE DE LA CHEMINÉE	15 pi (4.57 m)	NOMBRE MAXIMAL DE COUDES 4	HAUTEUR MAXIMALE DE LA CHEMINÉE	34 pi (10.36 m)	LA CHEMINÉE 7°	ANGLE DE DÉVIATION MAXIMAL	30° E.U. - 45° CANADA
MINIMUM CHIMNEY HEIGHT	15 ft (4.57 m)	MAXIMUM NUMBER OF ELBOWS	4																					
MAXIMUM CHIMNEY HEIGHT	34 ft (10.36 m)	CHIMNEY	7°																					
MAXIMUM OFFSET ANGLE	30° US - 45° CANADA																							
HAUTEUR MINIMALE DE LA CHEMINÉE	15 pi (4.57 m)	NOMBRE MAXIMAL DE COUDES 4																						
HAUTEUR MAXIMALE DE LA CHEMINÉE	34 pi (10.36 m)	LA CHEMINÉE 7°																						
ANGLE DE DÉVIATION MAXIMAL	30° E.U. - 45° CANADA																							
<p>OPTIONAL COMPONENTS / PIÈCES OPTIONNELLES</p> <p>BLOWER KIT / SOUFFLERIE : NZ64 / HOT AIR GRAVITY VENTS / NZ220 NZ64 / VENTILATION PAR GRAVITÉ / NZ220</p> <p>ACCESSORIES PROVIDED BY MANUFACTURER ARE TO BE UTILIZED ONLY / SEULS LES ACCESSOIRES FOURNIS PAR LE FABRICANT PEUVENT ÊTRE UTILISÉS.</p>	<p>REPLACE ONLY WITH 3MM CERAMIC GLASS / REMPLACER SEULEMENT PAR DU VERRE CÉRAMIQUE DE 3MM. DO NOT USE A FIREPLACE INSERT OR OTHER PRODUCT NOT SPECIFIED FOR USE WITH THIS PRODUCT. / N'INSTALLEZ PAS CE PRODUIT DANS UN ENCASTRE OU AUTRES APPAREILS QUI NE SONT PAS PRÉVUS POUR UN USAGE AVEC CE PRODUIT.</p>	<p>WARNING:</p> <ul style="list-style-type: none"> For use with cord wood only. Not for use in a mobile home. Operate with feed door closed. Open to feed fire only. Transport safely in an upright non-combustible container. This fireplace has not been tested with an inverted gas log set. To reduce risk of fire or injury, do not install an inverted gas log set into fireplace. 	<p>AVERTISSEMENT:</p> <ul style="list-style-type: none"> Pour emploi avec du bois de corde seulement. Ne peut être installé dans un maison mobile. Tenez les portes fermées lorsque le foyer fonctionne. N'ouvrez que pour recharger le feu. Transporter les cordons dans un contenant incombustible possédant un couvercle étanche. Ce foyer n'a pas été testé avec un ensemble de bûches à gaz non ventilées. Afin de réduire le risque d'incendie ou de blessures, n'installez pas d'ensemble de bûches à gaz non ventilées dans ce foyer. 	<p>MANUFACTURE DATE: YEAR: <input type="checkbox"/> 2020 <input type="checkbox"/> 2021 <input type="checkbox"/> 2022 <input type="checkbox"/> 2023 <input type="checkbox"/> 2024 MONTH: <input type="checkbox"/> 1 <input type="checkbox"/> 2 <input type="checkbox"/> 3 <input type="checkbox"/> 4 <input type="checkbox"/> 5 <input type="checkbox"/> 6 <input type="checkbox"/> 7 <input type="checkbox"/> 8 <input type="checkbox"/> 9 <input type="checkbox"/> 10 <input type="checkbox"/> 11 <input type="checkbox"/> 12</p>	<p>WOLF STEEL 24 NAPOLEON ROAD, BARRIE, ONTARIO L4M 0G6 CANADA</p>																			

note:
 The rating plate must remain with the appliance at all times. It must not be removed.

general information

2.4 high efficiency heating

The NZ3000H-1 is a high efficiency appliance that may be operated as a standalone system, however, a blower is recommended to further enhance the efficiency of the appliance.

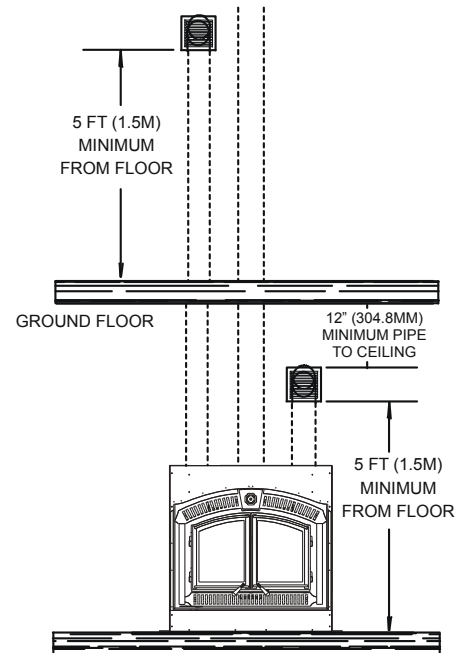
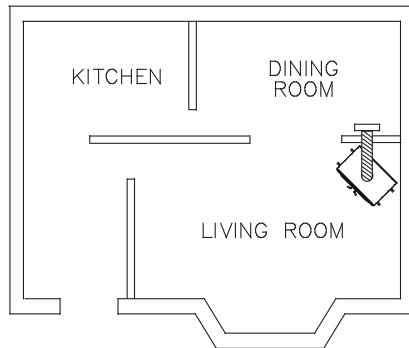
The NZ3000H-1 and its optional heat distribution systems **cannot** be connected to other duct systems. The NZ3000H-1 must be ducted independently when these installation options are used.

2.4.1 hot air gravity vent system (NZ220)

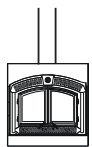
! WARNING

- All hot air gravity vents must be insulated.

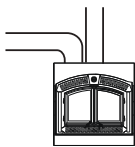
May be used to distribute heat to an adjoining room (located either above, or beside the room containing the appliance) by way of vents, eliminating the need of an additional blower. While this system may be used in conjunction with the optional blowers, it could reduce the flow of hot air being distributed to additional rooms. It must be experimented with and the dampers adjusted manually to suit your requirements. This may take a few attempts; thereafter adjustments should no longer be required as is normally experienced with your central heating system registers. No more than two hot air gravity vents can be installed to an appliance. Individual vent runs are not to exceed 10 feet (3m).



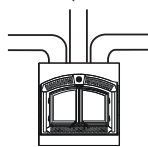
NO DUCTING



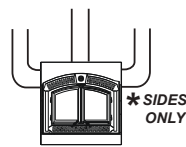
GRAVITY VENT OPTION (1 DUCT)



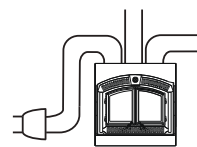
GRAVITY VENT OPTION (2 DUCTS)



GRAVITY VENT OPTION



CENTRAL HEATING & GRAVITY VENT OPTION

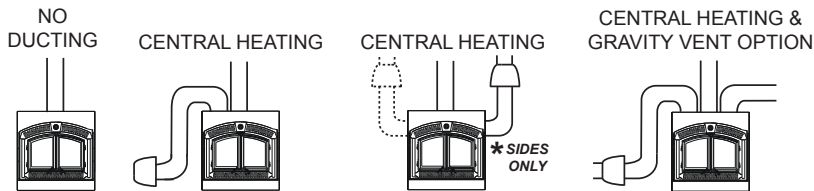
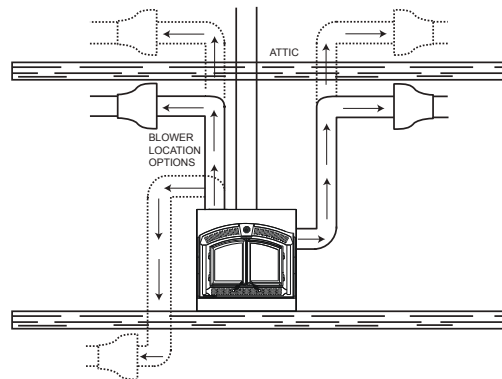
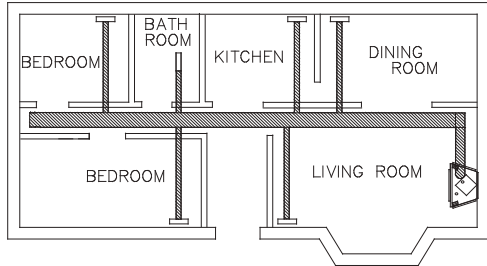


* When installed with a masonry chimney, the hot air gravity and central heating system can only be installed off the sides.

2.4.2 central heating system (NZ62CH)

May be used to heat rooms up to 50 feet (15.2m) from the appliance. A wall mounted thermostat located in the room to be heated controls the blower supplying warm air from the room containing the appliance. Consult with a heating specialist to ensure a proper duct layout for your home. If the NZ62CH is installed at the bottom of the appliance, it could introduce a cool draft into the room that the appliance is installed in. When attached to the top sides of the appliance, it provides a higher heat output. This option may not be used in mobile homes.

EXAMPLE OF DEDICATED DUCTING SYSTEM



* When installed with a masonry chimney, the hot air gravity and central heating system can only be installed off the sides.

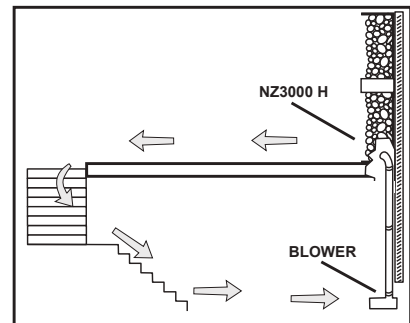
2.4.3 blower circulation (NZ64)

The NZ64 provides an ideal means of circulating warm air within the room it resides.

The blower will only operate when the doors are fully closed.

We recommend installing the blower in a different room or even a different level of the house. This will generate greater air movement and improve the distribution of the warm air cooling from the appliance as well as improving air movement in the summer months if using the summer bypass switch option.

These options may be incorporated with one another. If the optional blower is to be installed, make provisions during framing to route a 110 volt power line to the appliance. Detailed installation instructions are included with each venting kit.



3.0 installation planning

! WARNING

- Wear gloves, protective footwear and safety glasses for protection.
- Carefully follow the instructions for assembly of the pipe and other parts needed to install the appliance. Failure to do so may result in a fire, especially if combustibles are too close to the appliance or chimney and air spacers are blocked, preventing the free movement of cooling air.
- Do not draw outside air from garage spaces. Exhaust products of gasoline engines are hazardous. Do not install outside air ducts such that the air may be drawn from attic spaces, basements or above the roofing where other heating appliances or fans and chimneys exhaust or utilize air. These precautions will reduce the possibility of appliance smoking or air flow reversal. The outside air inlet must remain clear of leaves, debris, ice and/or snow. It must be unrestricted while appliance is in use to prevent room air starvation which can cause smoke spillage and an inability to maintain a fire. Smoke spillage can also set off smoke alarms.
- Negative pressure within your home may inadvertently affect your appliance.
- To prevent contact with sagging or loose insulation, the appliance must not be installed against vapour barriers or exposed insulation. Localized overheating could occur and a fire could result.
- Do not use makeshift compromises during installation. Do not block or restrict air, grille or louvre openings. Do not add a hood.
- To prevent personal injury, keep hand tools in good condition, sharpen cutting edges and make sure tool handles are secure.
- Always maintain the minimum air space required in the enclosure to prevent fires.
- Check with local building officials for any permits required for installation of this appliance and notify your insurance company prior to proceeding.

3.1 appliance placement

! WARNING

- Do not install into any area having a height less than 7 feet (2.1m) (ceiling of enclosure to appliance bottom, excluding hearth height).

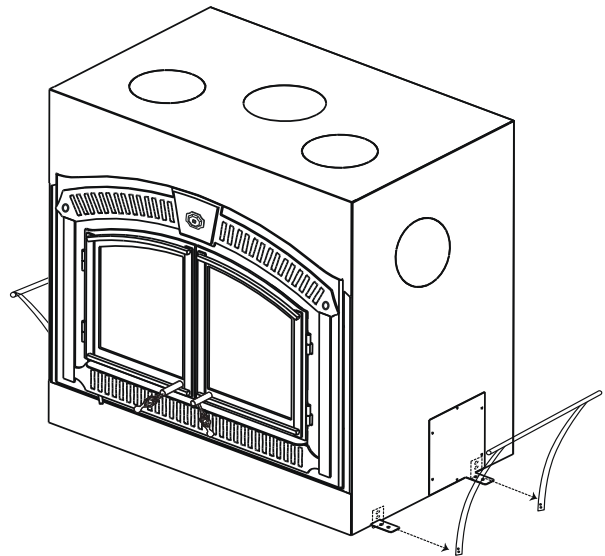
important:

This appliance, fully dressed, weighs 551lbs (249.9kg). Ensure there is adequate floor support for the appliance, chimney, and facing material. Some material could weigh thousands of pounds.

We recommend that the appliance be secured to the floor in all cases.

Remove and discard the lifting handles. Bend the tabs down and secure the appliance to the floor.

The location of windows, doors and the traffic flow in the room where the appliance is to be located should be considered. If possible, you should choose a location where the chimney will pass through the house without cutting a floor or roof joist.



3.2 outside combustion air

Model NZ3000H-1 has the option of taking outside air directly into the appliance through the opening on the left hand side or taking inside air through the lower front grille or a combination of both. For inside air, push in the control slider.

If the optional outside air kit (available through your authorized dealer) is installed, it must not draw air from the attic or garage. For outside air, pull out the air control slider. It may only come from outside the house. The maximum length of the 4" (101.6mm) air duct is 20 feet (6m); for greater lengths, enlarge the duct to a 6" (152.4mm) diameter.

Decide on the most convenient location for the outside air inlet duct and hood which may be installed above or below floor level but must be installed above grade level.

Make a 5" (127mm) hole in an outside wall of the house. From outside, place the outside air hood into the hole, open side down.

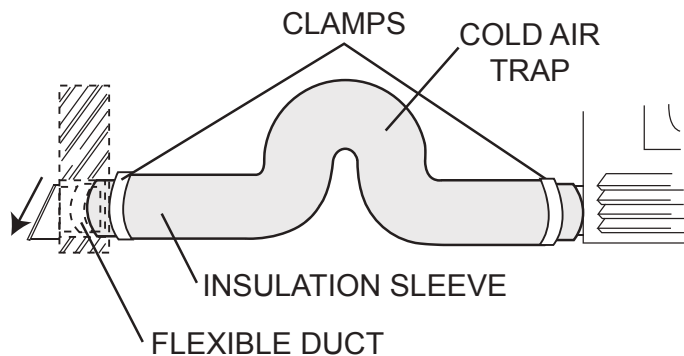
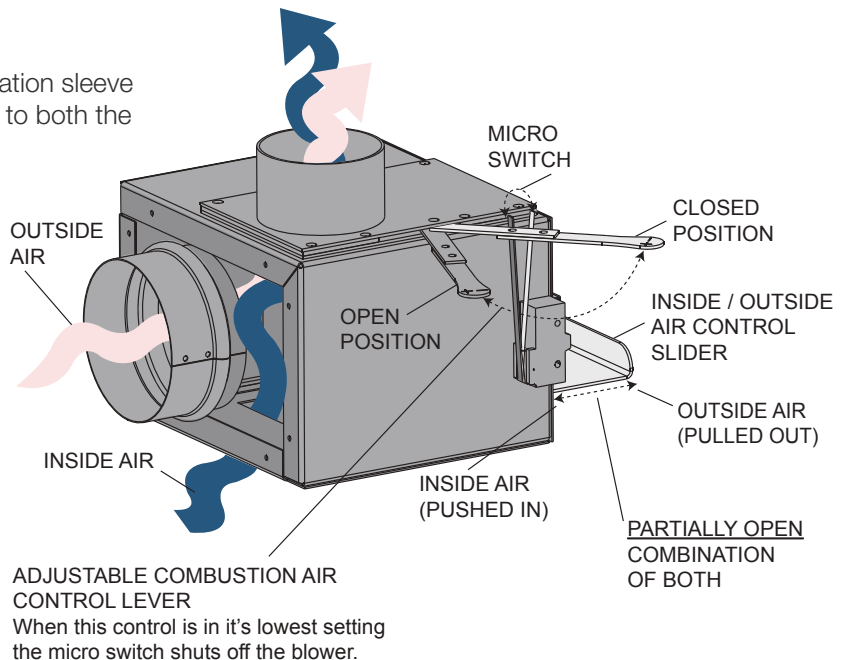
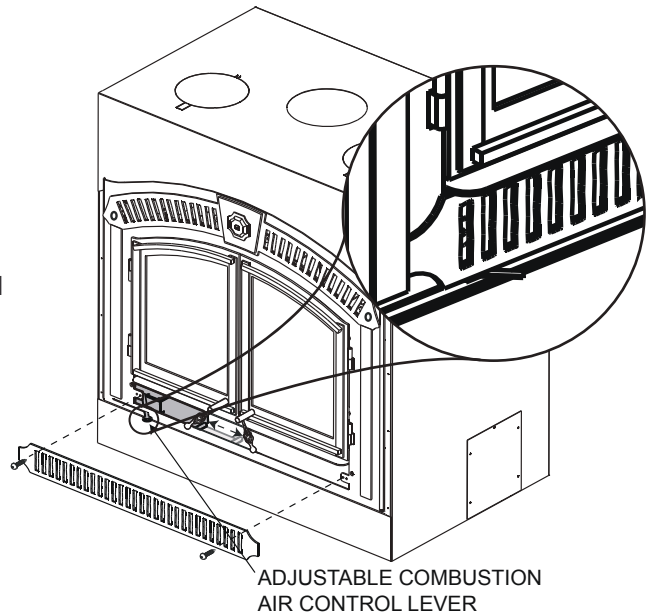
At each end, carefully pull back the insulation sleeve exposing the flexible duct. Apply sealant to both the outside air hood collar and the connector collar at the appliance. Place the insulated flexible duct over the outside air hood and over the appliance outside air connector. Carefully push the insulation sleeve back over the duct. Using the clamps, fasten the insulated duct into place on both sides.

Cold air flow can be minimized by putting a dip or loop in the duct creating a cold air trap. This trap can also help prevent heat build-up and exhausting out the intake due to stack effect.

If outside air is brought directly into the appliance, a damper allowing 100% closure shall be used (not supplied). The air inlet must prevent material from dropping into the inlet and also prevent rodents from entering from the outside (a wire mesh having openings not larger than 1/4" by 1/4" [6.4mm by 6.3mm] is sufficient).

note:

Appliance must be set for inside air if outside air is not connected.



installation planning

3.3 floor protection

3.3.1 ember strip and hearth extensions

! WARNING

- Hearth extensions are to be installed only as described to prevent high temperatures from occurring on concealed combustible materials. Hearth ember strips prevent burning or hot particles from inadvertently falling directly on combustible surfaces in the event the building should settle and disturb the original construction.

An acceptable 54" (137.2cm) x 20" (50.8cm) non-combustible (ie: brick, stone or ceramic tile) hearth extension must be installed).

The hearth must extend a minimum 20" (50.8cm) in front of the appliance.

The hearth must extend a minimum of 12" (205mm) to both sides of the appliance.

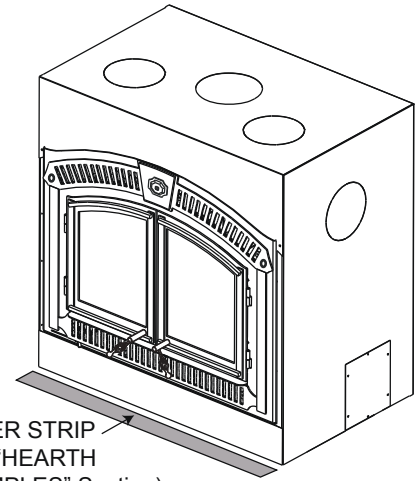
The hearth must be constructed of a minimum of 1" (25mm) thick cement board (or equivalent) plus ¼" (6.4mm) ceramic tile.

Ensure that the gap between the appliance and a non-combustible hearth extension is sealed with sand/cement grout or covered with an ember strip (or both) to prevent sparks and embers from falling into this area.

Raised hearths must be constructed of non-combustible materials such as cement blocks or bricks.

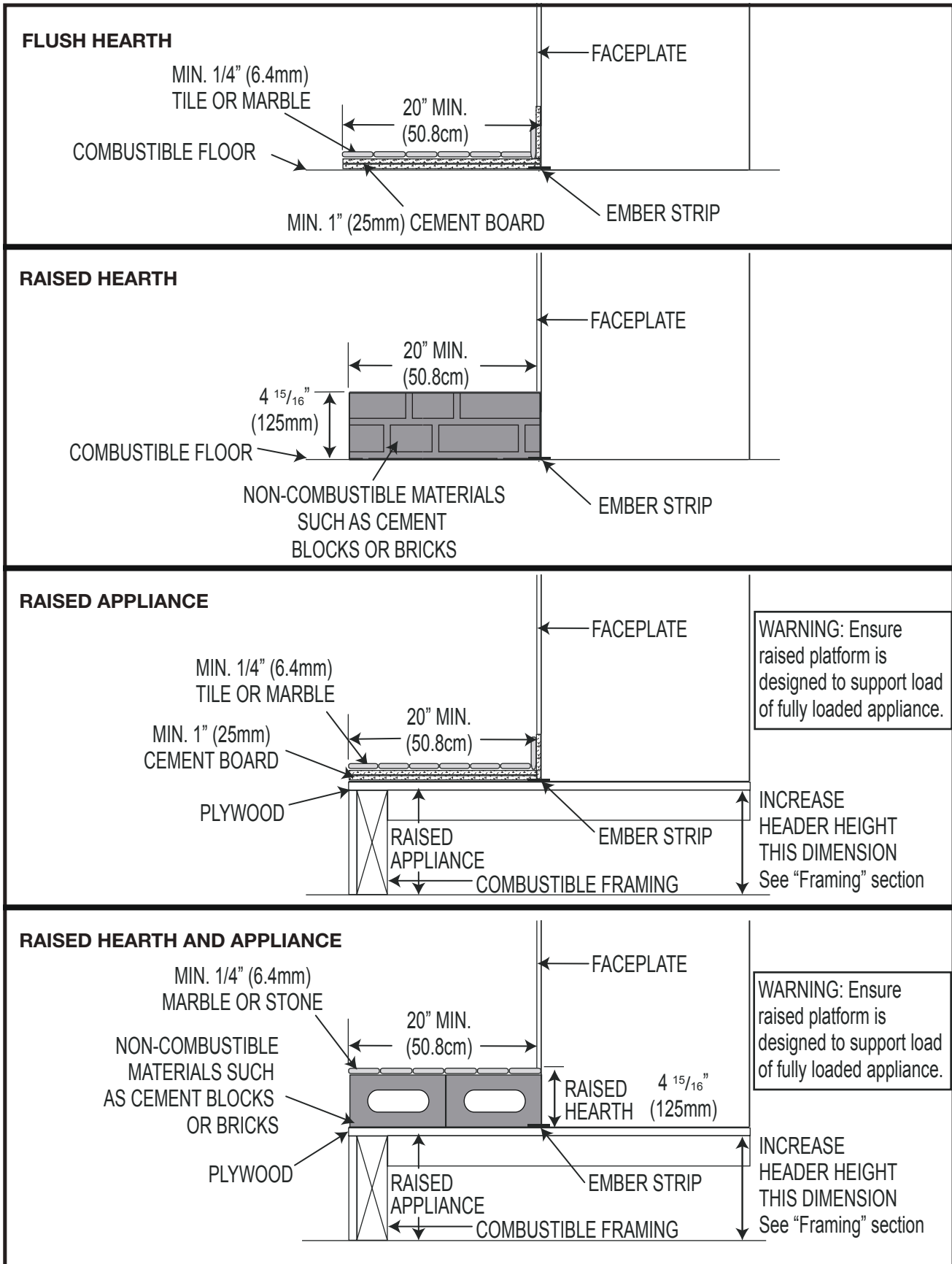
While the appliance can be installed directly on the floor (using the ember strip), a non-combustible hearth extension is required in front of the appliance, that must not be built higher than the bottom of the appliance faceplate. It may therefore be advisable to build the appliance on a raised platform.

A raised hearth together with the appliance built on a raised platform is recommended for easier wood loading and fire viewing.



EMBER STRIP
(See "HEARTH
EXAMPLES" Section)

3.4 hearth examples



4.0 installation

! WARNING

- Never install a single wall slip section or smoke pipe in a chase structure. The higher temperature of this single wall pipe may radiate sufficient heat to combustible chase materials to cause a fire.
- To avoid danger of fire, all instructions must be strictly followed, including the provision of air space clearance between chimney system and enclosure. To protect against the effects of corrosion on those parts exposed to the weather, we recommend that the chase top be painted with a rust-resistant paint.
- Maintain a minimum 2" (51mm) air clearance to all parts of the chimney system at all times. Failure to maintain this 2" (51mm) air clearance will cause a structure fire.
- Detailed instructions for installation of the chase top, storm collar and termination cap are packaged with these parts.
- Firestop spacers must be used whenever the chimney penetrates a ceiling/floor area.
- The chimney must be sound and free of cracks. Clean your chimney a minimum of twice a year and as required.
- Always seal penetrations with temperature rated sealing products.

4.1 chimney

note:

All venting connections must be in compliance with the chimney manufacturer's installation instructions.

This appliance was tested to CAN/ULC S610 and UL 127 Factory Built Fireplace Standards. This appliance has met the test criteria for Zero Clearance Installation to Combustible Surfaces and certified to burn firewood only.

Any 7" (177.8mm) diameter chimney listed to these standards may be installed. In accordance with these standards, the appliance may also be connected to any chimney listed to CAN/ULC-S604 and CAN/ULC-S629 for Canada or UL-103HT for the United States.

Installation of all types of factory-built chimney systems is to be in accordance with the chimney manufacturer's installation instructions. An appropriate chimney manufacturer's anchor base plate is required in order to initiate their system. An anchor base plate gasket is supplied that suits a 7" (177.8mm) chimney. Use the high temperature gasket (supplied) to seal between the anchor plate and the appliance top.

For complete installation instructions, refer to instructions provided with the manufactured chimney system.

A chimney venting the appliance shall not vent any other appliance. The minimum overall chimney height from the top of the appliance is 15ft (4.6m). The maximum overall chimney height from the top of the appliance is 34ft (10.4m).

Factory-built chimney systems for use in dwellings constructed for three or more families must be enclosed above the room in which the appliance is located. This enclosure must have a fire resistance rating equal to or greater than that of the floor or roof assembly through which they pass.

The chimney should not be built with an offset angle in excess of 45° in Canada and 30° in USA. Ensure that minimum clearances are maintained.

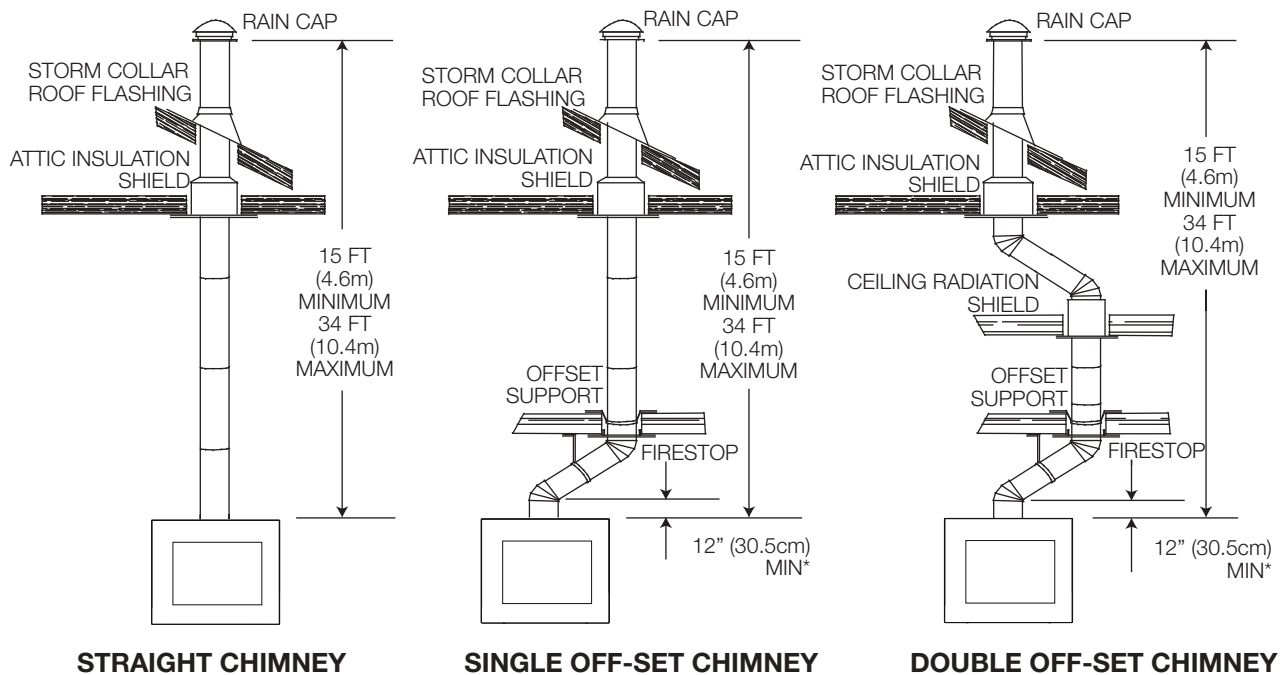
Portions of the chimney that extend through accessible spaces must always be encased to avoid personal contact with the chimney and thereby avoid damage to the chimney.

The chimney must be supported at a maximum of 20ft (6.1m) intervals. Every 20 ft (6.1m) of chimney can weigh up to approximately 200lbs (90.7kg). Refer to chimney manufacturer's specifications.



ANCHOR PLATE FOR A FACTORY

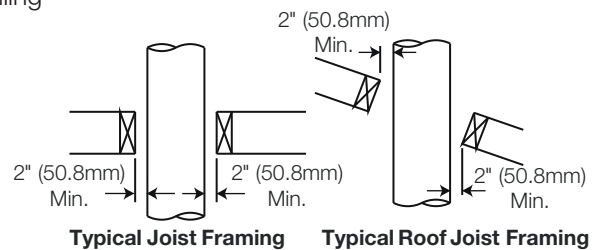
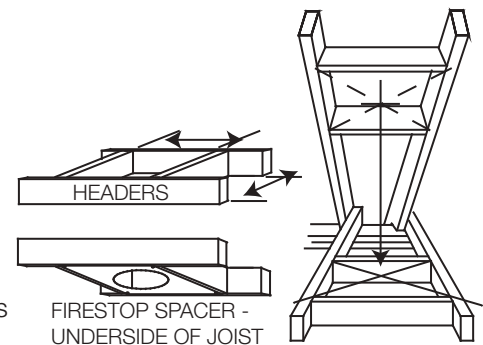
4.2 typical chimney installation



* The first flue offset closest to the top of the appliance must be a minimum distance of 12" (30.5cm) from the top of the appliance.

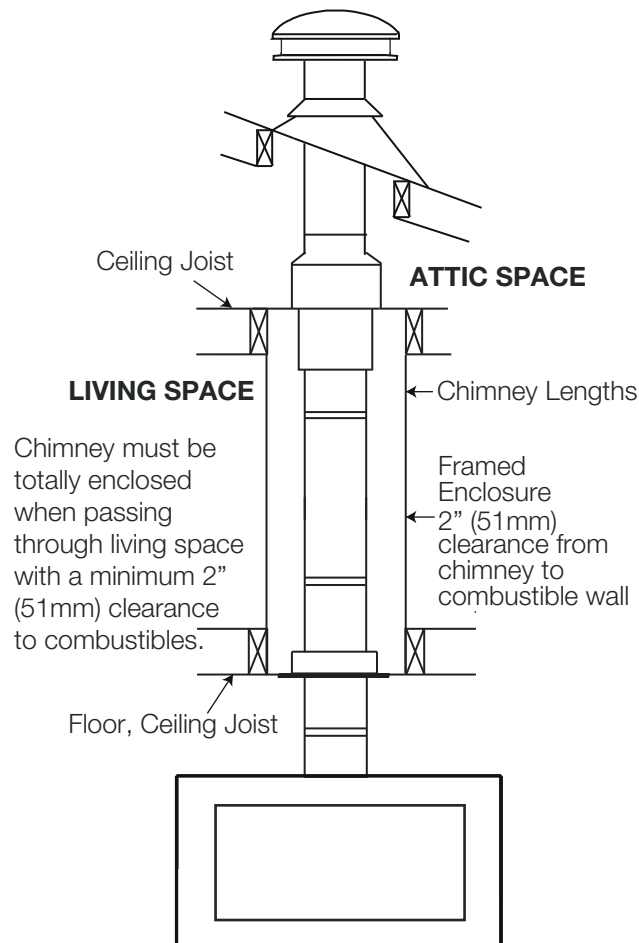
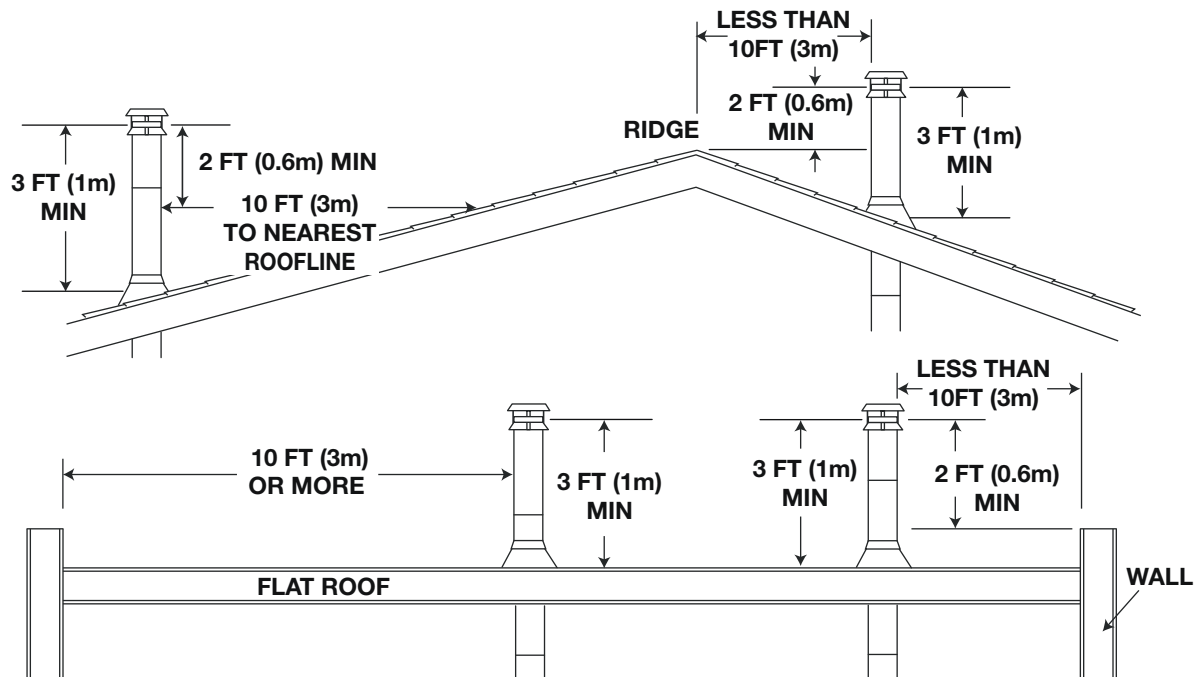
- A. Move the appliance into position. Try to center the exhaust flue of the appliance, midpoint between two joists to prevent having to cut them. Use a plumb bob to line up the centre.
- B. Cut and frame an opening in the ceiling to provide a minimum clearance of 2" (50.8mm) between the outside of the chimney and any combustible material. **DO NOT FILL THIS SPACE WITH ANY TYPE OF MATERIAL!** Nail headers between the joists for extra support. Firestop spacers must be placed on each framed opening in any floor or ceiling that the chimney passes through.
- C. Hold a plumb bob from the underside of the roof to determine where the opening in the roof should be. Cut and frame the roof opening maintaining proper 2" (50.8mm) clearances.

note:
30° or 45° offsets may be installed back to back.



4.3 adding chimney sections

Add chimney sections, according to the manufacturer's installation instructions. If the chimney system passes through an attic space, a rafter radiation shield or attic insulation shield is required. The chimney must extend at least 3ft (0.9m) above its point of contact with the roof and at least 2ft (0.6m) higher than any wall, roof or building within 10ft (3.1m). If the chimney extends more than 5ft (1.5m) above the roof, it must be secured using a roof brace or guide wires. A raincap must be installed to avoid internal damage and corrosion.



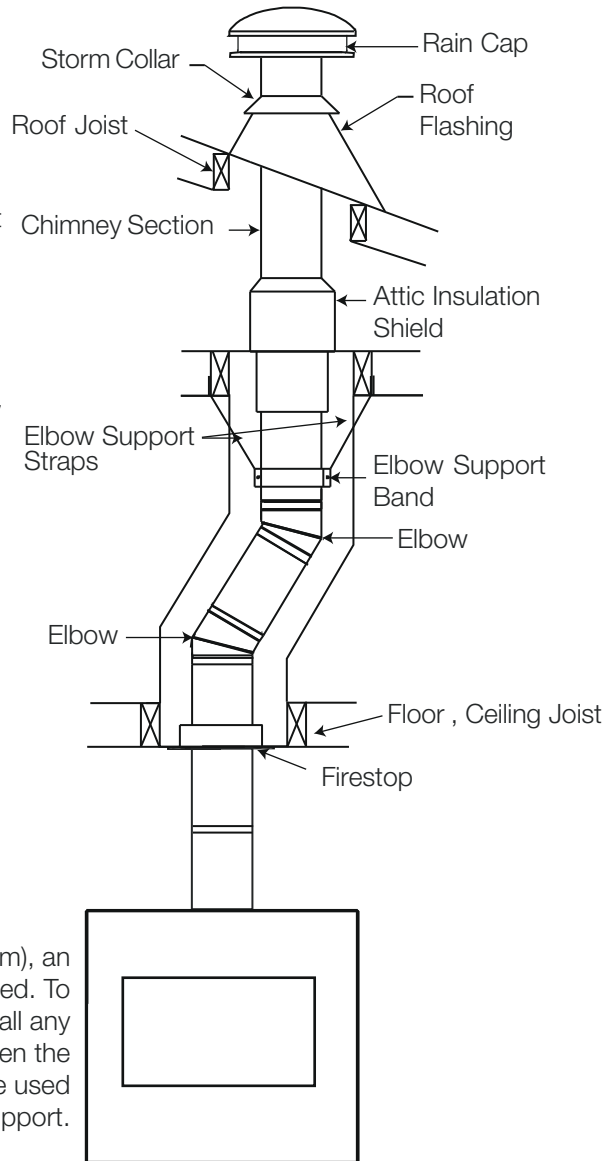
4.4 offset chimney installation

! WARNING

- Chimney sections installed between an offset and return require structural support to reduce off-center loading and to prevent chimney sections from separating at the chimney joints.
- The chimney should not be built with an offset angle in excess of 45° in Canada and 30° in USA. Do not combine offset chimney components to exceed these angles.

The first flue offset closest to the top of the appliance must be a minimum distance of 12" (30.5cm) from the top of the appliance.

Attach an elbow to the chimney section, angled toward the offset. Secure according to chimney manufacturer's instructions. Chimney sections must be adequately secured one to the other to ensure they do not separate. To achieve the minimum offset, attach and secure a second elbow. To achieve longer offsets, you may install any available length of chimney pipe between the elbows. Supports must be used on the first vertical chimney section after a return elbow.

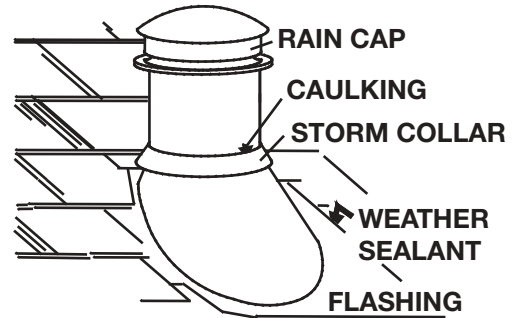


If the offset length is more than 36" (91.4cm), an intermediate support must be employed. To achieve longer offsets, you may install any available length of chimney pipe between the elbows. The intermediate support must be used in conjunction with an offset support.

installation

4.5 installing flashing and storm collar

The following are generic installation instructions for installing the flashing around a chimney. Installation of all types of factory-built chimney systems is to be in accordance with the chimney manufacturer's installation instructions. Remove the nails from the shingles above and to the sides of the chimney. Place the flashing over the chimney pipe and slide underneath the sides and upper edge of the shingles. Ensure that the chimney pipe is properly centered within the flashing, giving a 3/4" (19.1mm) margin all around. Fasten to the roof on the top and sides. **DO NOT NAIL** through the lower portion of the flashing. Make weather-tight by sealing with caulking. Where possible, cover the sides and top edges of the flashing with roofing material. Apply waterproof caulking, provided with the flashing, around the chimney, 1" (25.4mm) above the top of the flashing and push the storm collar down into the caulking. Insert a rain cap onto the top of the last chimney section.



4.6 typical existing masonry

The appliance may be connected to either a lined or unlined masonry chimney.

IF THE CHIMNEY IS LINED:

The flues must be made of vitrified clay and be in sizes of 8" (203.2mm) square or 8" (203.2mm) round (inside diameters) or 8" x 12" (203.2mm x 304.8mm) with a minimum height of 15 feet (4.6m) above the appliance. 8" (203.2mm) round flues are recommended.

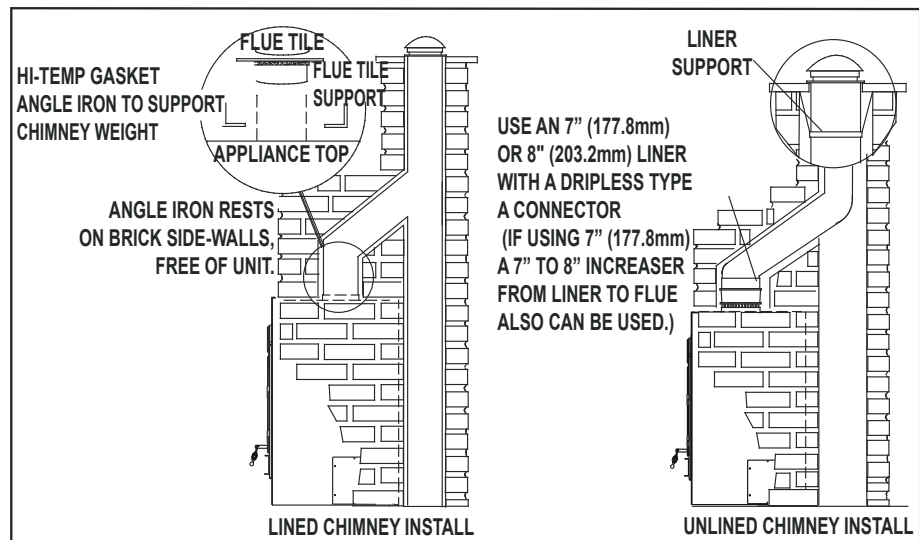
Installation must conform to both national and local code requirements.

IF THE CHIMNEY IS UNLINED:

A stainless steel liner listed to either standard ULC-S640M in Canada or UL-1777 in the USA, must be used: Liners for New Masonry Chimneys, may be used to connect the appliance to the chimney. The liner must be continuous from the appliance to the chimney cap and be installed only per manufacturer's instructions.

In both cases, the chimney structure must be supported by angle iron anchored into the masonry walls. The allowance masonry used in chimney construction is 3 1/2" (88.9mm) brick, solidly mortared and must fully encase the flue. Ensure there are no leaks.

In no case is the masonry enclosure to be supported by the appliance. Allow a 1" (25.4mm) air cavity for expansion. Use the flue tile support accessory, see your local authorized dealer / distributor.



FOR A MASONRY FIREPLACE USE A FLUE TILE SUPPORT. FOR A PRE-FABRICATED CHIMNEY USE AN ANCHOR PLATE.

note:

The flue tile support is to be suspended on appropriate levels.

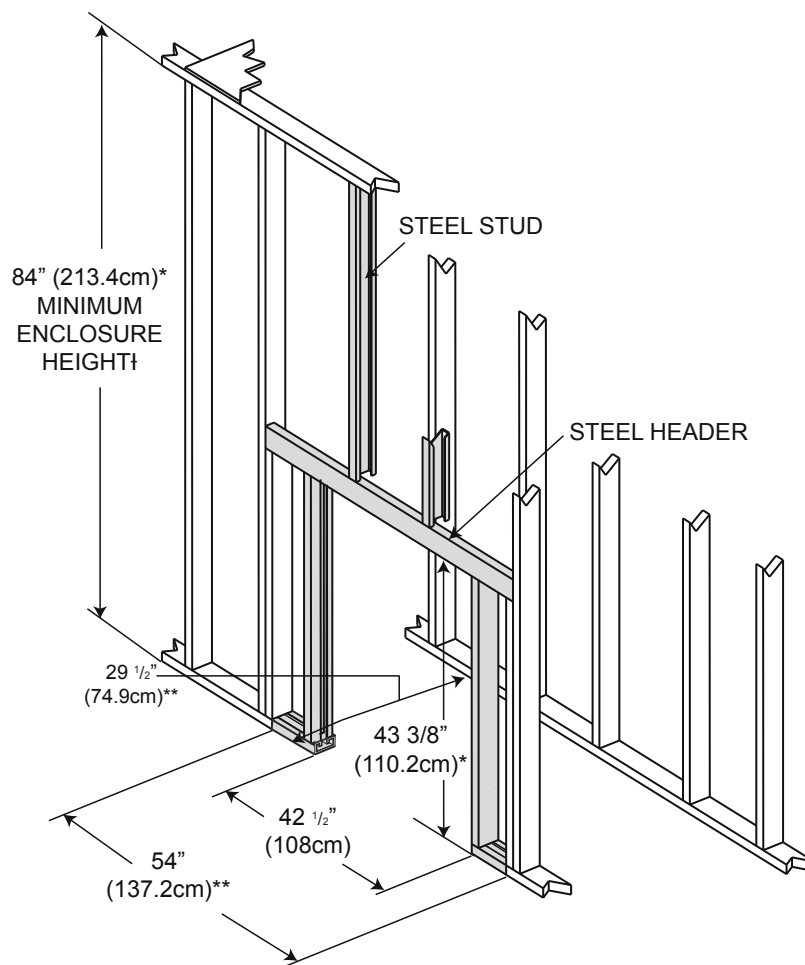
! WARNING

- In order to avoid the possibility of exposed insulation or vapour barrier coming in contact with the appliance body, it is recommended that the walls of the appliance enclosure be “finished” (ie. drywall/sheetrock), as you would finish any other visible wall of a home. This will ensure that clearance to combustibles is maintained within the cavity.
- A minimum of 6” (152mm) to combustible materials is required to both sides of the appliance, see “minimum clearance to combustibles” section.
- When constructing the enclosure, allow for finishing material thickness to maintain clearances. Framing or finishing material closer than the minimums listed must be constructed entirely of non-combustible materials. Materials consisting entirely of steel, iron, brick, tile, concrete, slate, glass or platers, or any combination thereof are suitable. Materials that are reported as passing ASTM E 136 Standard Test Method for behaviour of materials in a vertical tube furnace at 750°C (1382°F) and UL763 shall be considered non-combustible materials.
- Do not build shelves or cupboards into the area above the appliance.
- Objects placed in front of the appliance must be kept a minimum of 48” (121.9cm) away from the front face of the appliance.
- Prior to framing, refer to “catalyst temperature monitor installation” section.

5.1 clearance to combustibles

note:

Use metal studs wherever non-combustible facing is required.

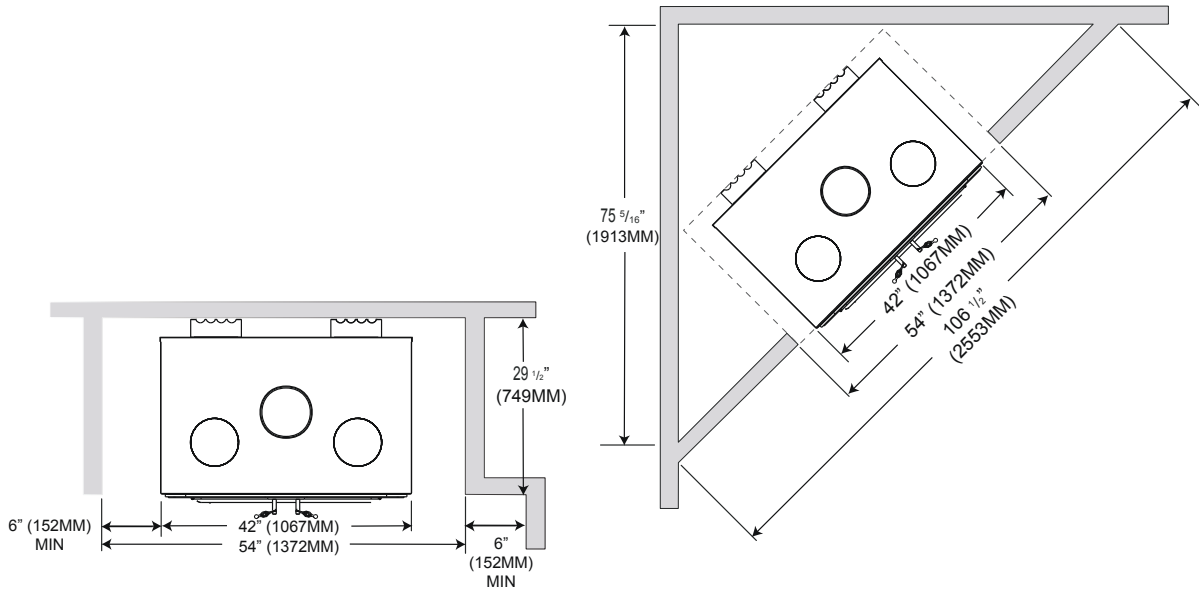


* Allow for finished floor and hearth thickness when setting these dimensions.

** When constructing the enclosure allow for finishing material thickness to maintain clearances.

† See ventilation requirements for minimum height.

5.2 minimum enclosure clearances



A minimum of 6" (62mm) is required to combustibles from the side of the appliance.

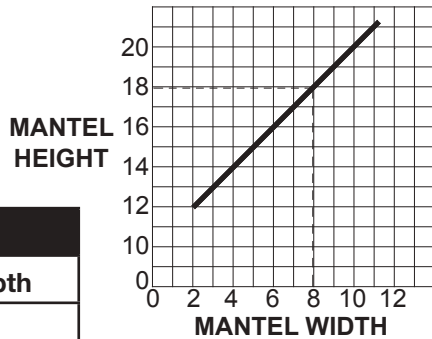
note:
When constructing the enclosure, allow for finishing material thickness to maintain clearances.

5.3 minimum mantel clearances

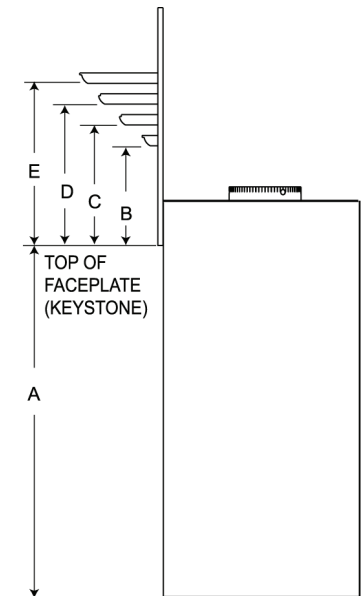
! WARNING

- Risk of fire. Maintain all specified air space clearances to combustibles. Failure to comply with these instructions may cause a fire or cause the appliance to overheat. Ensure all clearances (i.e. back, side, top, vent, mantel, front, etc.) are clearly maintained.
- When using paint or lacquer to finish the mantel, the paint or lacquer must be heat resistant to prevent discoloration.
- Facing, mantel and/or finishing materials must not interfere with air flow through air openings, louvres, operation of louvres or doors or access for service.

An optional combustible mantel must be a minimum of 12" (30.5cm) above the top of the faceplate and not to extend more than 2" (51mm) from the surface. See chart below for further information.



MANTEL DIMENSIONS		
Ref.	Height	Depth
A	37 3/16" (945mm)	
B	12" (305mm)	2" (51mm)
C	14" (356mm)	4" (102mm)
D	16" (406mm)	6" (152mm)
E	18" (457mm)	8" (203mm)

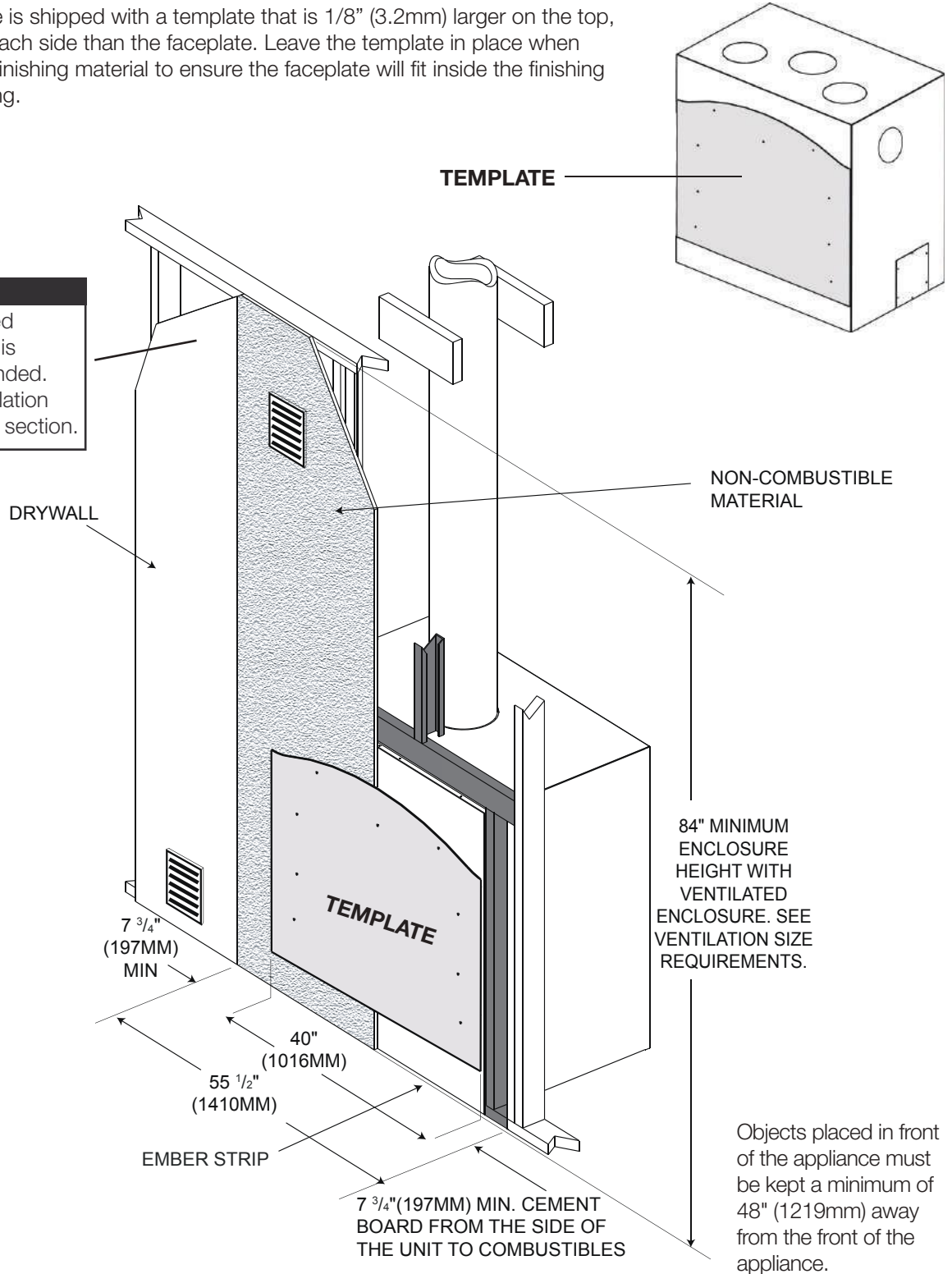


! WARNING

- **Ventilation openings are required in enclosures up to 96" (244cm) high.** They are recommended for all enclosures above 84" (213.4cm), combustible finishing materials may be used on the front face.
- Use only a non-combustible material to finish the face of the appliance. A non-combustible material such as cement board is required for this purpose.
- Do not insulate the steel body of the appliance.

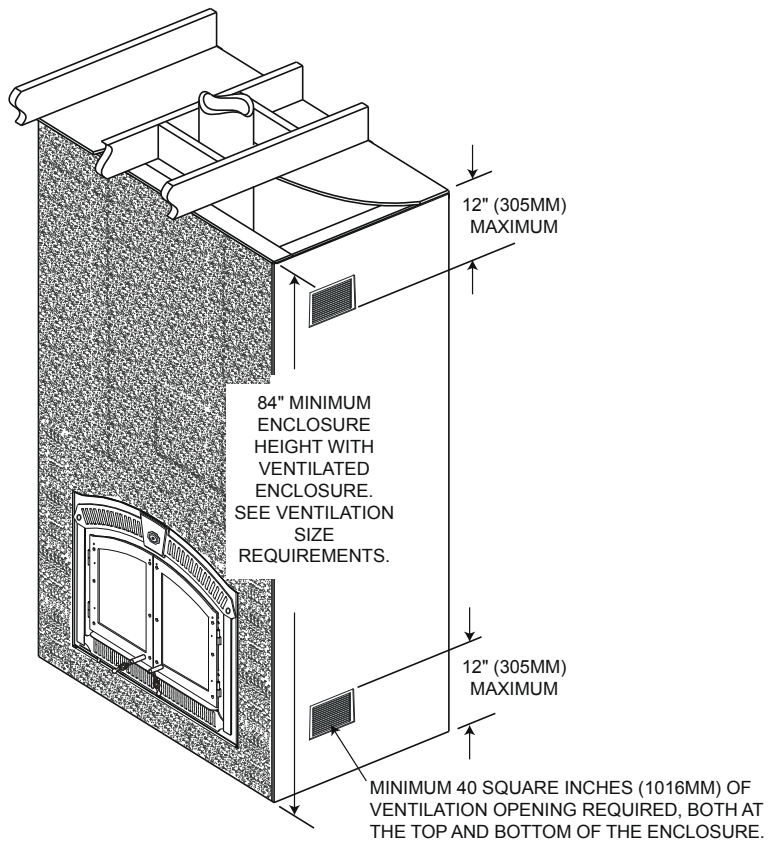
The appliance is shipped with a template that is 1/8" (3.2mm) larger on the top, bottom and each side than the faceplate. Leave the template in place when installing the finishing material to ensure the faceplate will fit inside the finishing material edging.

note:
A ventilated enclosure is recommended. See "ventilation openings" section.

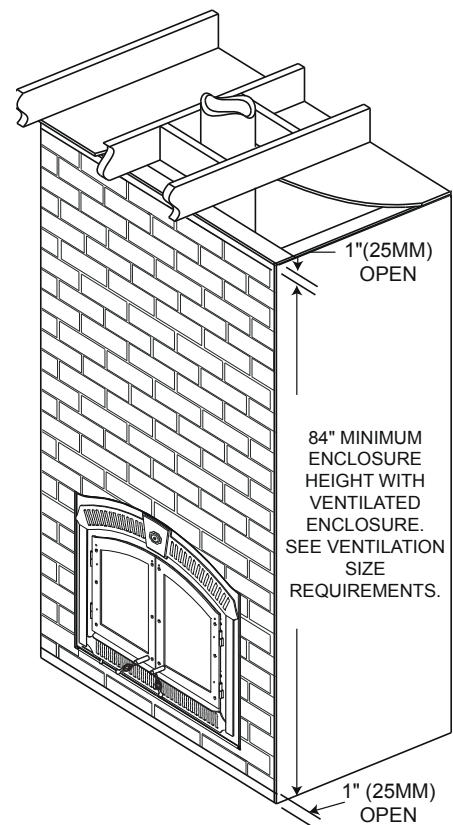


Objects placed in front of the appliance must be kept a minimum of 48" (1219mm) away from the front of the appliance.

6.1 ventilation openings

**note:**

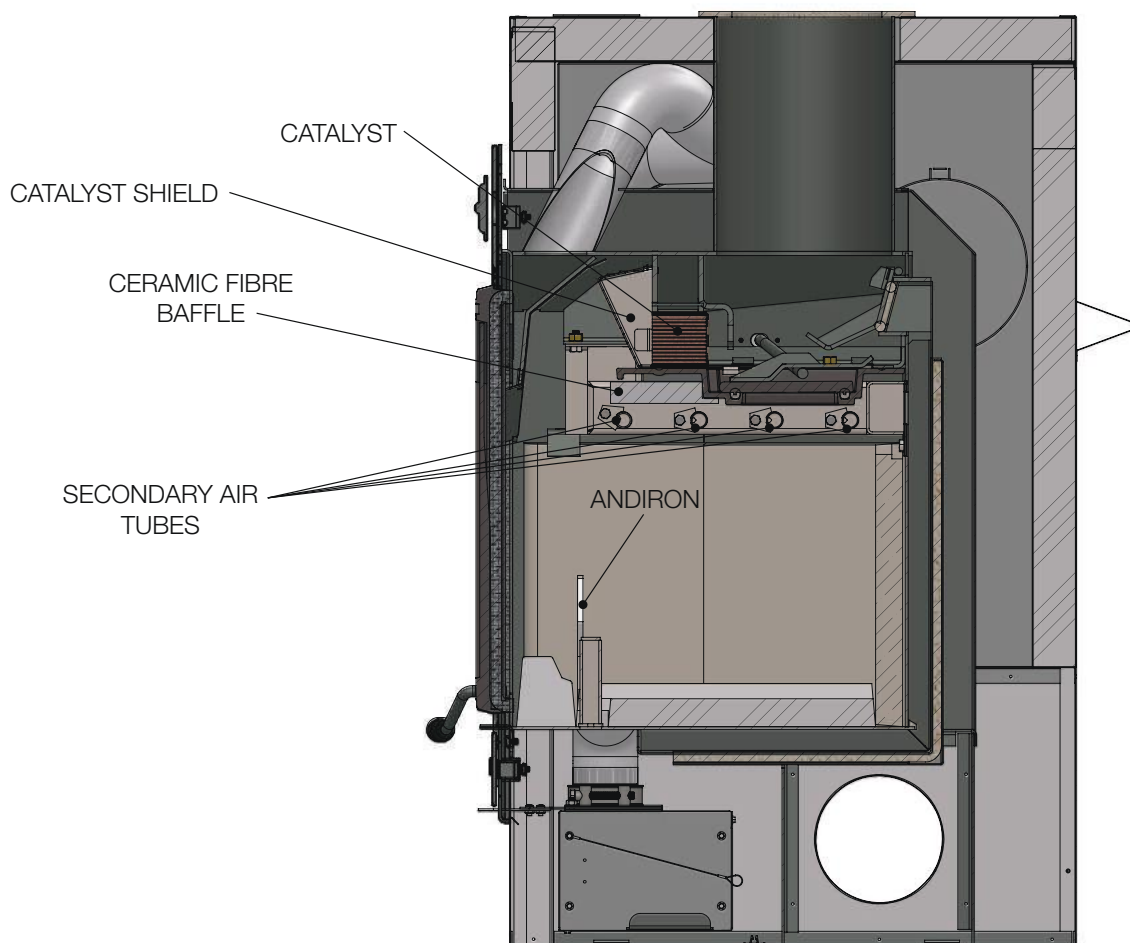
As an alternate to grates, a 1" x 40" (25mm x 1016mm) wide gap can be left in the bottom and top of any finishing material to circulate the air from the floor, around the appliance and out the top.



6.2 baffle installation

⚠ WARNING

- Operation of the appliance without the baffles can result in excessive temperatures that could damage the appliance, chimney and the surrounding enclosure.
- During shipping, the catalyst may have shifted from its proper location. Prior to initial burn, ensure the catalyst is correctly installed. Refer to the “catalyst inspection and replacement” section.



The NZ3000H-1 contains a ceramic fibre baffle, catalyst and catalyst shield. It is important that each of these components are installed correctly prior to operating the appliance.

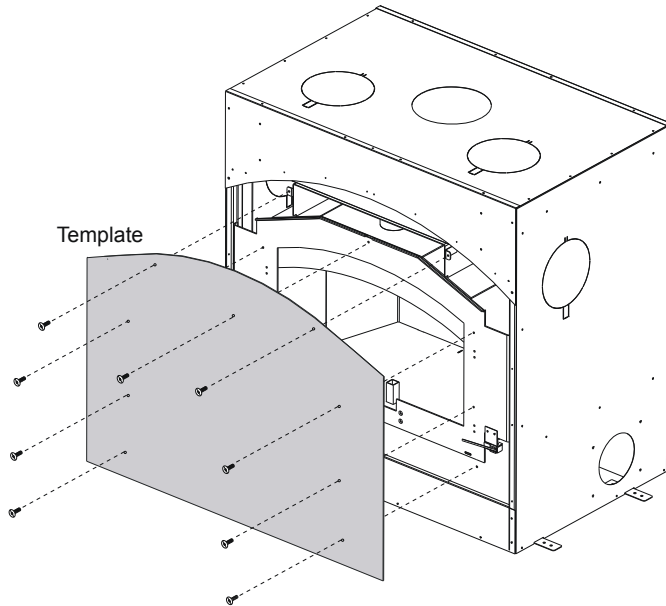
To install the ceramic baffle, insert it through the front of the appliance and rest it on top of the secondary tubes as far back as possible ensuring proper orientation as shown.

To install the catalyst, refer to the “catalyst inspection and replacement” section in this manual.

finishing

6.3 faceplate installation

6.3.1 template removal



Remove the screws and template, discard only the template once all the facing material has been installed. Retain the screws for installing the faceplate.

6.3.2 faceplate, hinge, ash lip and air control arm installation

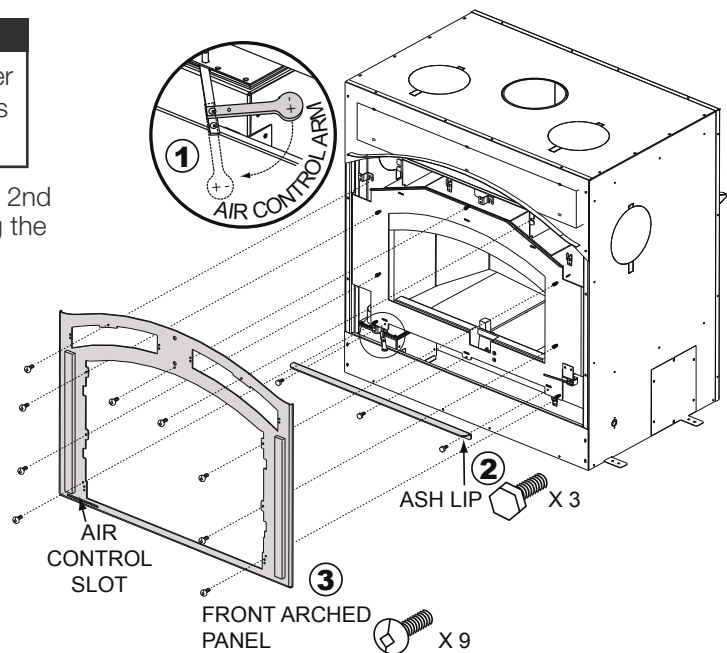
! WARNING

- Prior to installation, ensure the catalyst temperature monitor is installed. See “catalyst temperature monitor installation” section for details.

note:

The FPWI3-H faceplate is shipped with the upper and lower grilles assembled. Remove both grilles before proceeding.

- Assemble the air control arm by removing the 2nd screw, rotating the arm in line and re-installing the screw.
- Install the ash lip.



6.3.3 door installation

Left Door

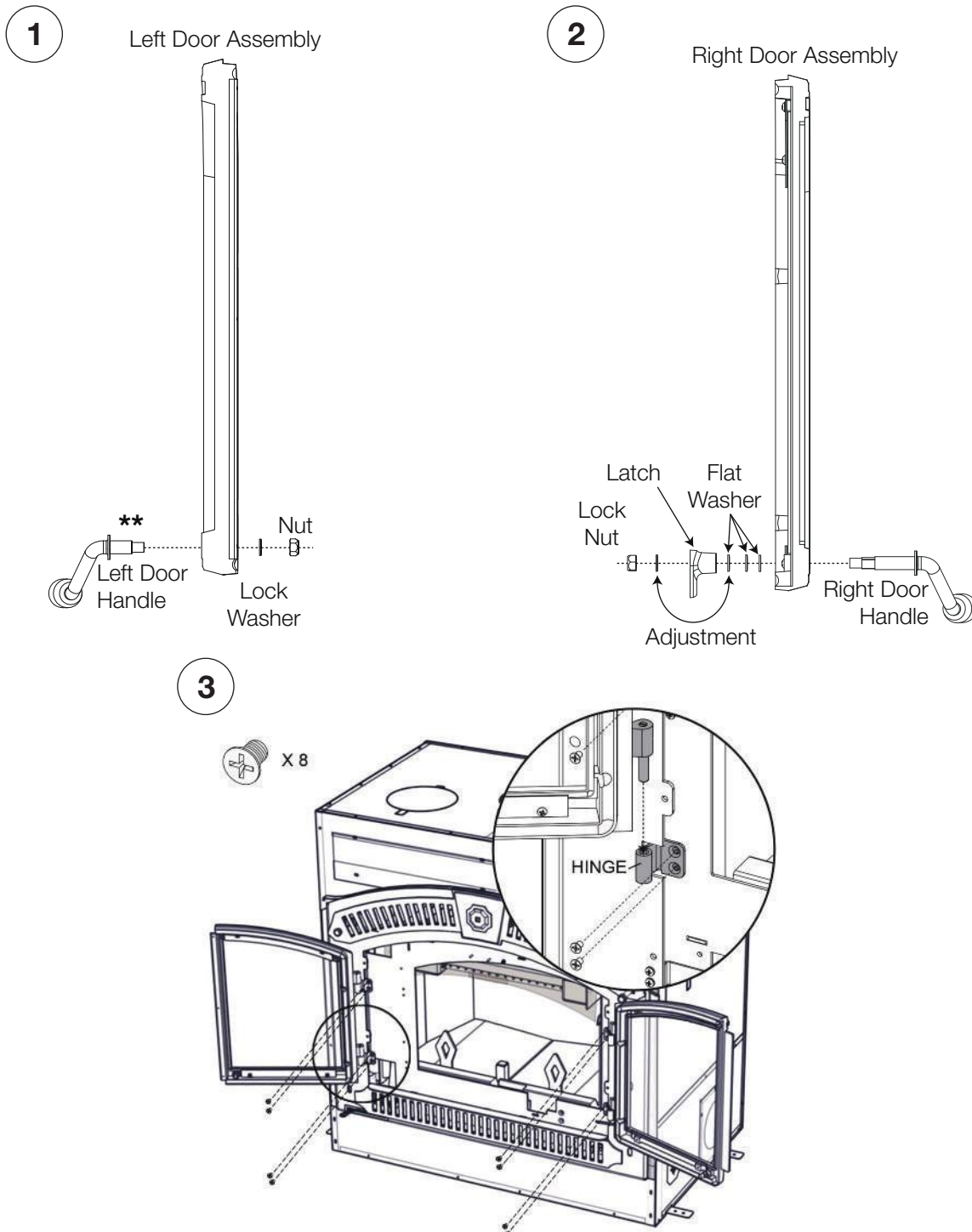
1. Install the left door handle through the left door assembly. Secure using the lock washer and nut provided.

**The final angle of the left door handle should mirror the right door handle in the closed position. Tighten the nut to secure the handle at the desired angle.

Right Door

2. Install the right door handle through the right door assembly. Install the three flat washers and the door latch as illustrated. Secure using the lock nut provided. **Do not over tighten. Handle must rotate freely.**

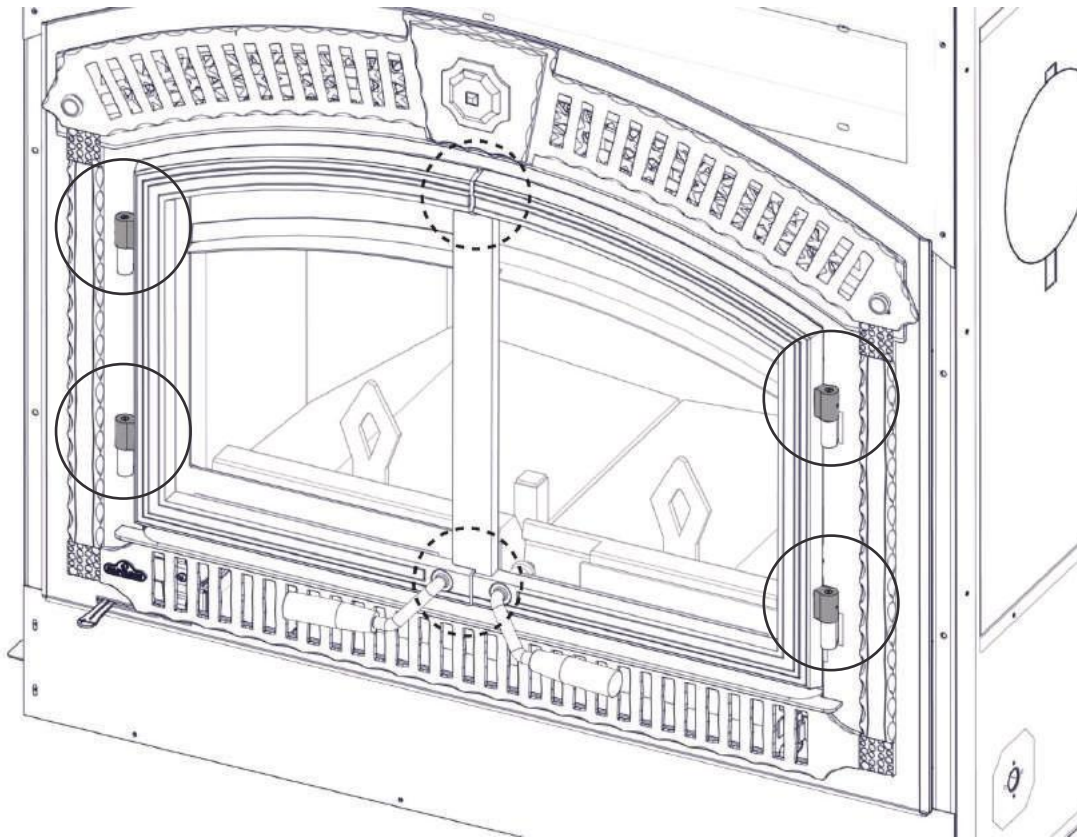
Door latch adjustment may be required. Move one or more washers as shown.



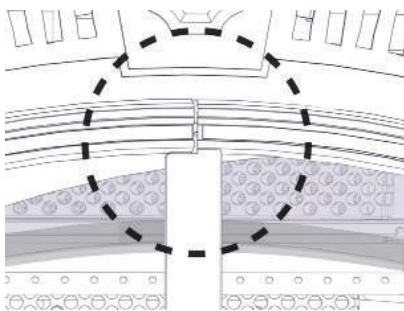
6.3.4 door gap adjustment

The door gap for the NZ3000H-1 (see graphic below) can be set by adjusting the hinges of each door (x4). Each hinge contains a set screw located on the side of the hinge. Loosen the set screw and turn the slotted hinge pin to create an even gap. Each hinge can be adjusted independently.

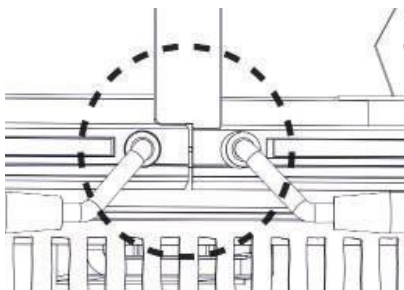
Hinges X 4



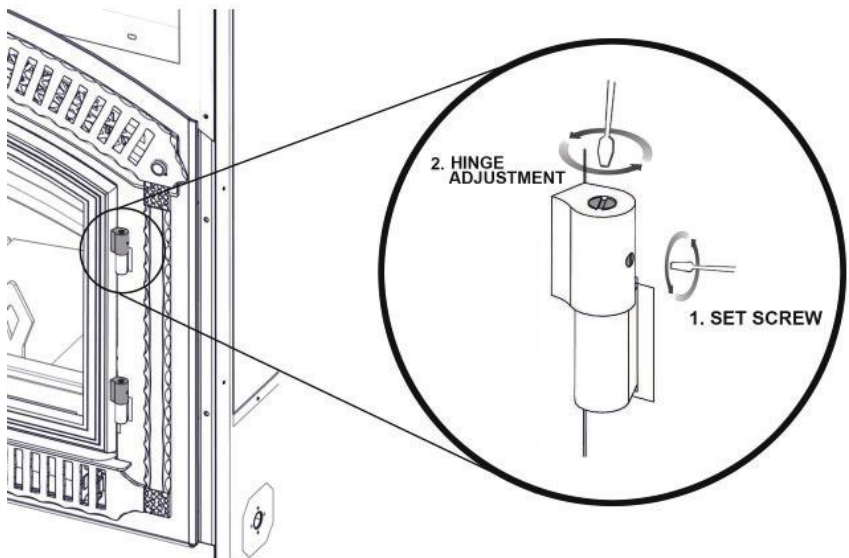
Door gap and hinge location



Top Gap



Bottom Gap



6.3.5 catalyst temperature monitor installation

! WARNING

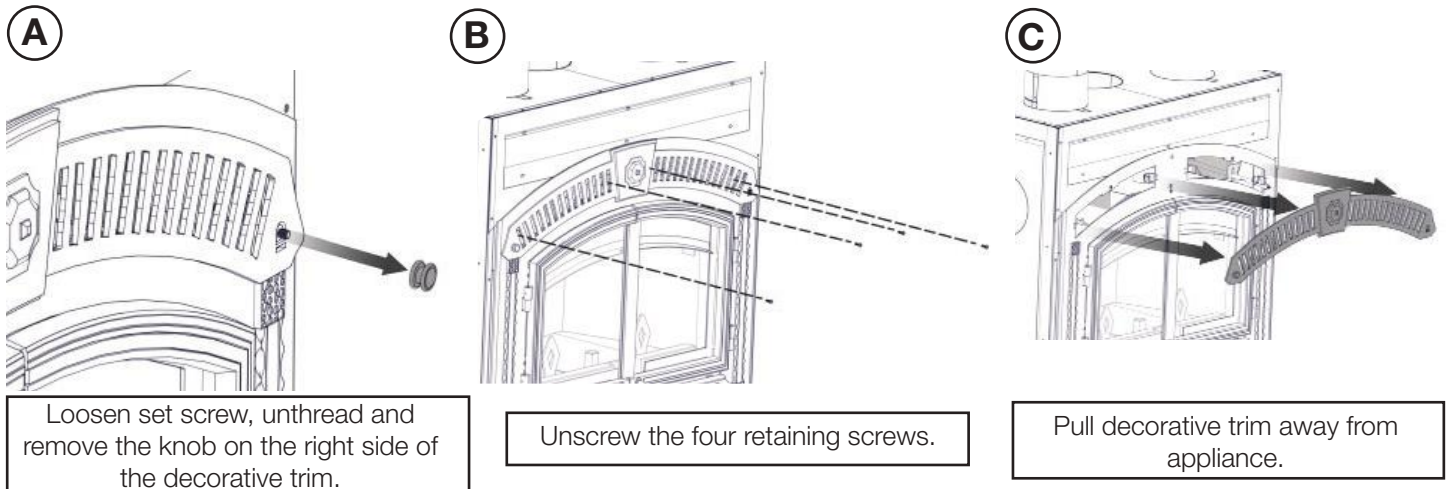
- It is important to install the catalyst temperature monitor prior to framing in the appliance completely.

Before installing the new catalyst temperature monitor, determine how the existing catalyst temperature monitor is mounted. The options for mounting are:

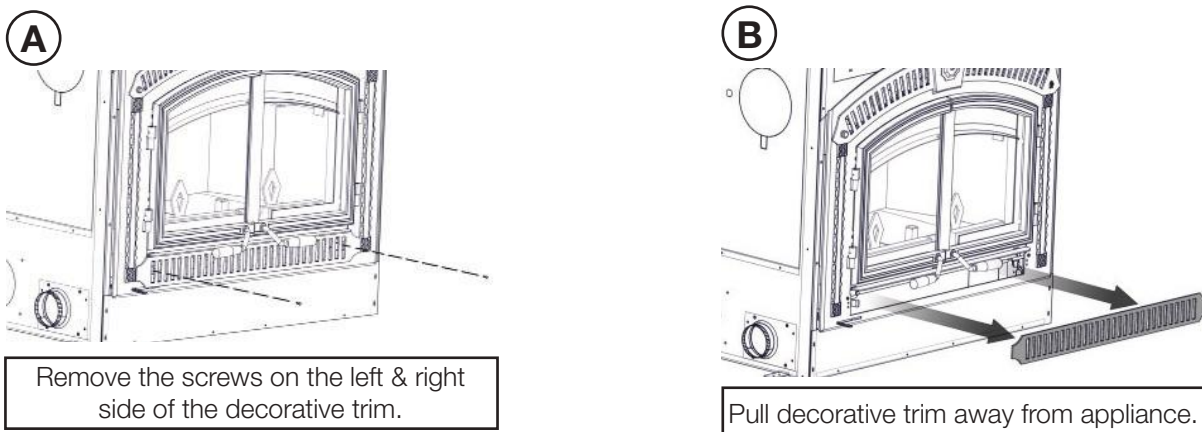
1. Wall mounted
2. Hearth mounted

If wall mounted, remove the top and bottom trim off of the appliance. If hearth mounted, remove bottom trim only.

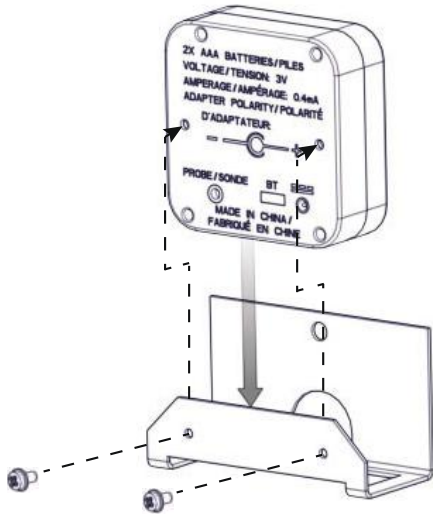
Top Trim Removal



Bottom Trim Removal

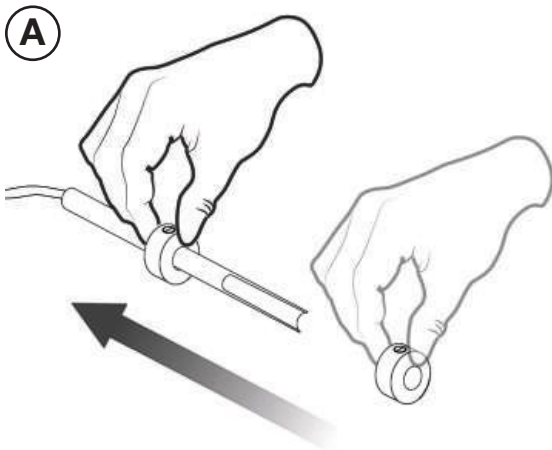


Installing the Catalyst Temperature Monitor

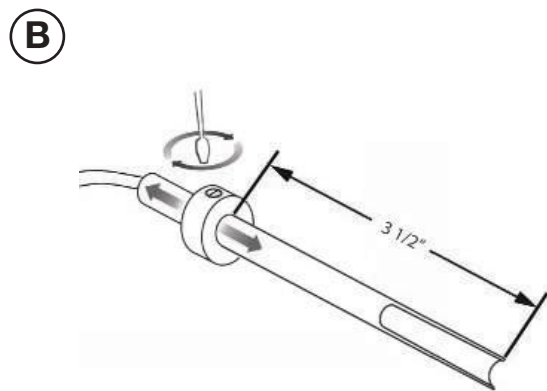


Slide the catalyst temperature monitor into the bracket and attach with screws (supplied).

Setting depth of probe

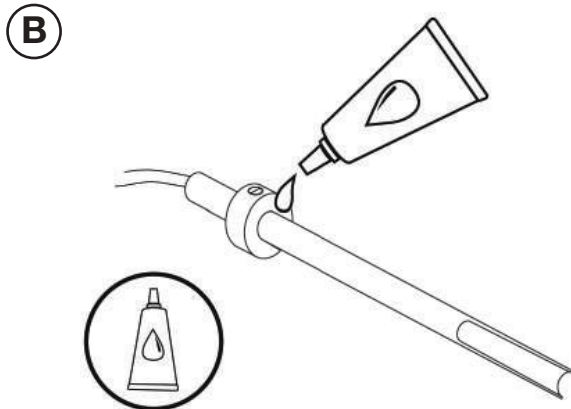
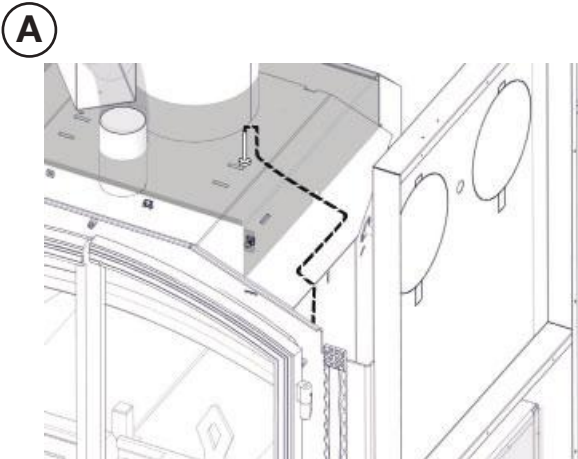


Slide collar onto probe.

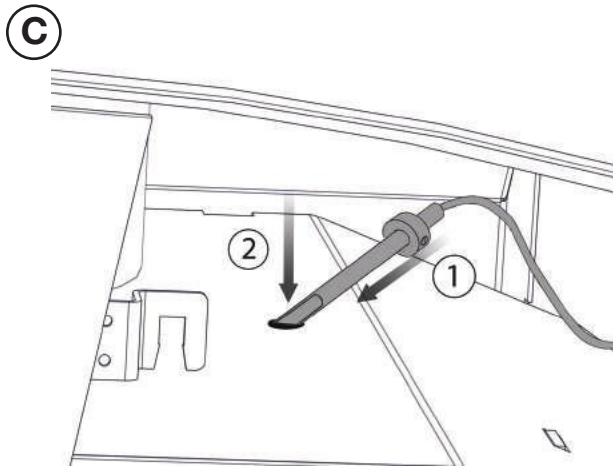


Set the depth to 3.5" and secure with set screw.

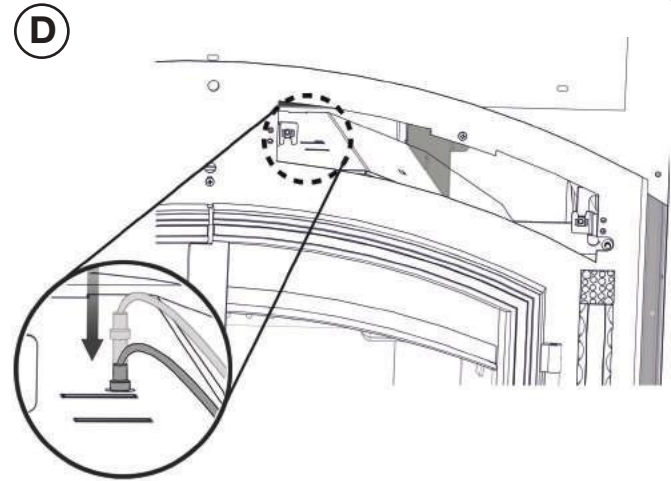
Wire routing



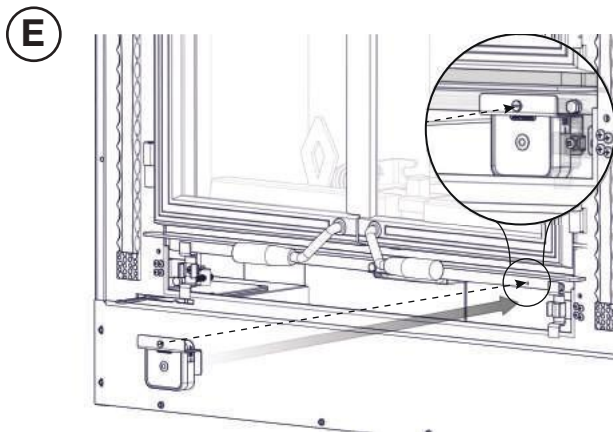
Liberaly spread stove cement (not supplied) along the bottom of depth gauge.



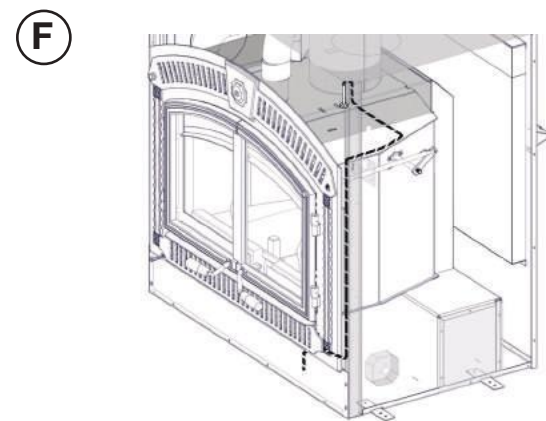
Insert the probe on an angle and gradually straighten the probe so that it aims down.



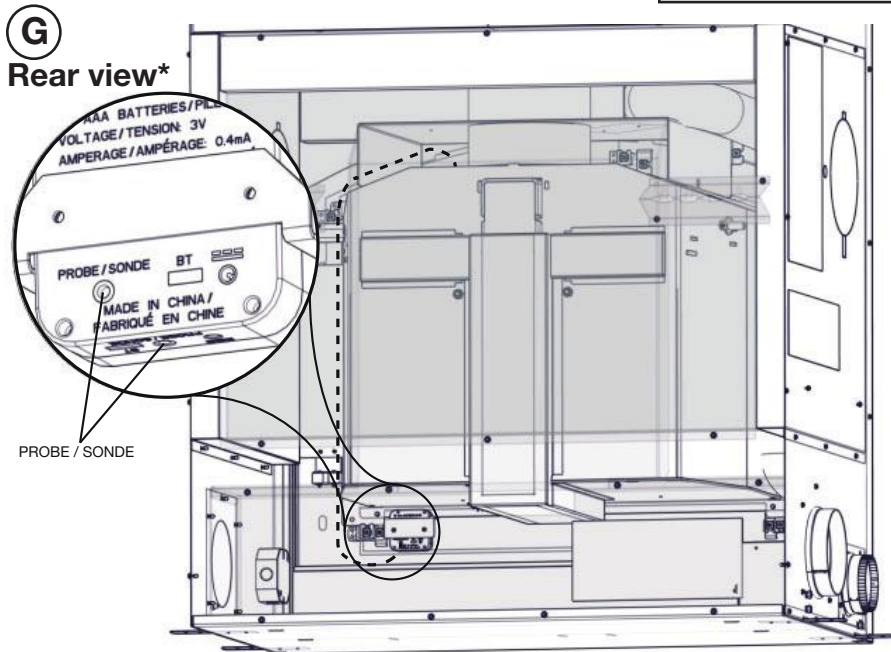
Slide the straightened probe into the hole.



Attach the bracket to the ash lip with screw (provided).



Ensure the catalyst temperature monitor indication light is visible through the lower trim.



Attach the thermocouple to the designated port on the catalyst temperature monitor. Only connect one thermocouple to the device.

H
Reinstall top and bottom trim.

*Some components are hidden for illustrative purposes.

6.4 optional NZ64 blower installation

! WARNING

- All wiring should be done by a qualified electrician and shall be in compliance with local codes and with the current National Electric Code ANSI / NFPA No. 70-Current (in the United States), or, with the current C22.1 Canadian Electric Code (in Canada).

This appliance is supplied with one micro (pressure) switch and a thermally activated switch.

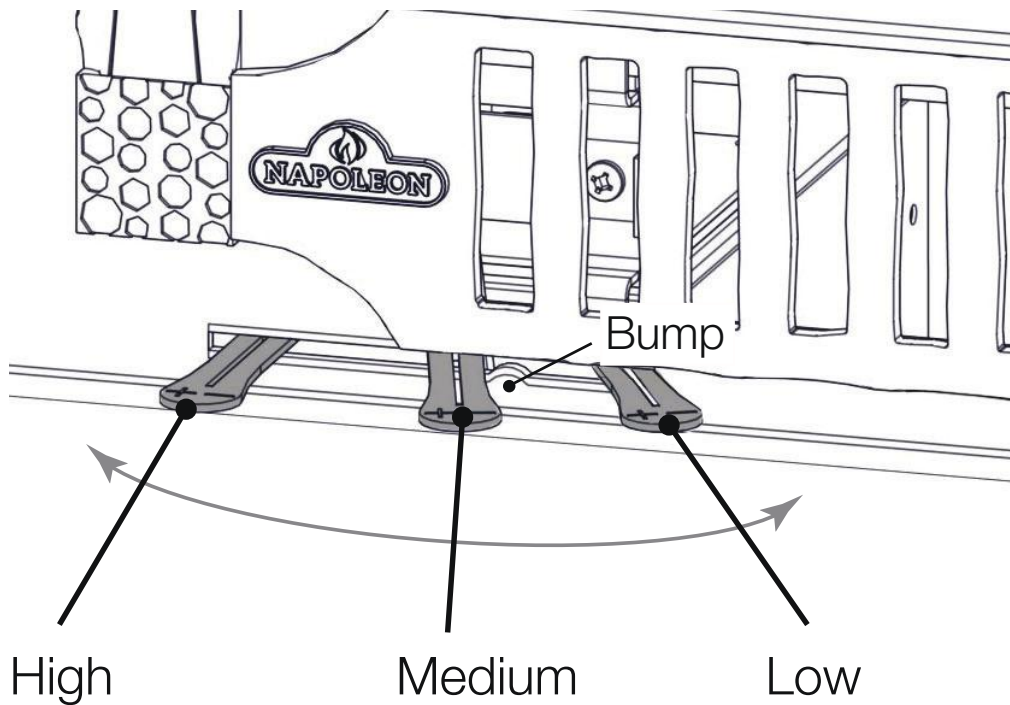
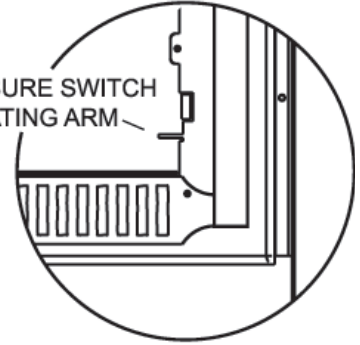
note:

The blower on high will draw 3.0 amps using 120V or approximately 360 watts.

Ensure that the pressure switch actuating arm protrudes through the faceplate when installed and moves freely.

The blower will only operate when the doors are fully closed.

PRESSURE SWITCH
ACTUATING ARM



MODULATE BLOWER TO SUIT HEAT OUTPUT

BLOWER INSTALLATION

note:

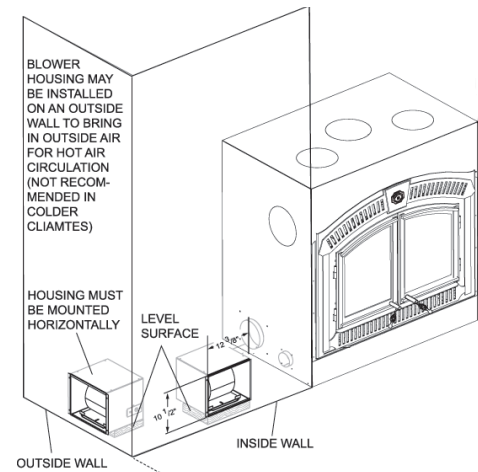
Consideration should be made for blower location as the closer to the appliance, the greater the air flow noise will be. Blower may be installed on either side of the appliance.

- A. Position the blower to an inside or outside wall into a framed opening 12 3/8" wide by 10 1/2" high (314mm x 267mm). (Outside wall not recommended in colder climates as cold air may be drawn into the house even when the blower is off).

The blower housing should be installed onto a level surface large enough to support the blower assembly. Allow for finishing material when securing the blower housing, as the grille mounts to the housing.

note:

Blower housing may be installed inside a home that has sufficient air flow.

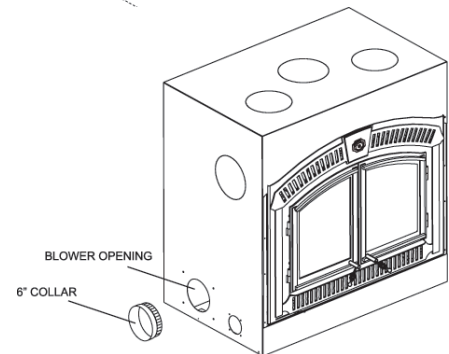


COLLAR INSTALLATION

- B. Determine which side of the appliance the blower is to be located on. Remove and discard the cover plate and install the 6" (152mm) collar.

Secure by reaching through the collar and bending the tabs.

Use sealant to ensure that the connection is air tight.



ELECTRICAL CONNECTION

- C. Remove the junction box covers on the appliance and the blower. Removing the junction box cover on the appliance exposes 4 black, labeled wires:

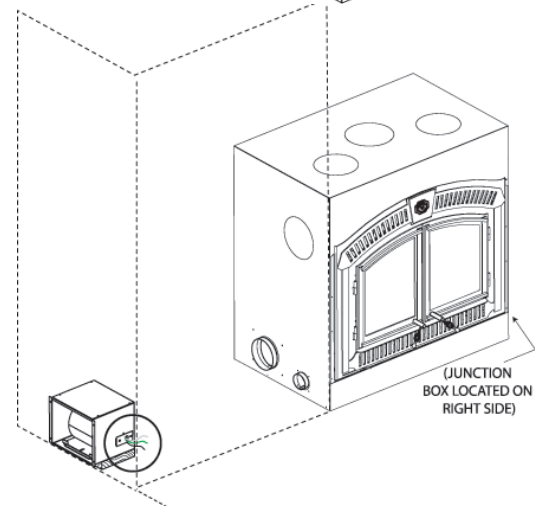
Appliance Junction Box

Two wires labelled "by-pass" - go to by-pass (summer) switch (not supplied - overrides the thermally activated switch enabling the user to run the blower without heat).

IMPORTANT: If the by-pass (summer) switch is not desired, terminate the wires by attaching wire nuts to by-pass (summer) switch wire leads separately (do not connect together).

One wire labelled "blower" - connects to fan-speed control rheostat and then the fan-speed control connects to the white blower wire.

One wire labelled "L1" - connects to power (hot lead).



finishing

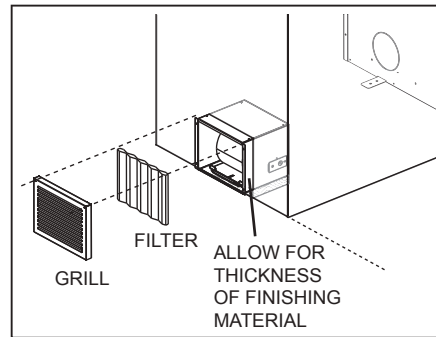
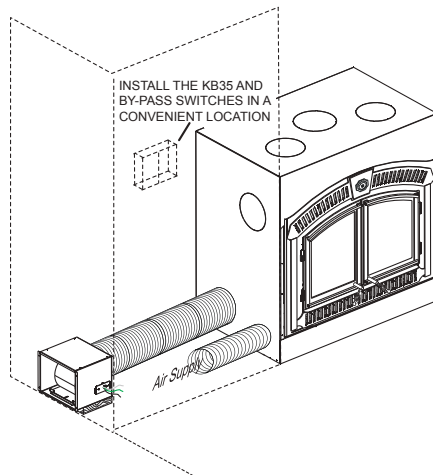
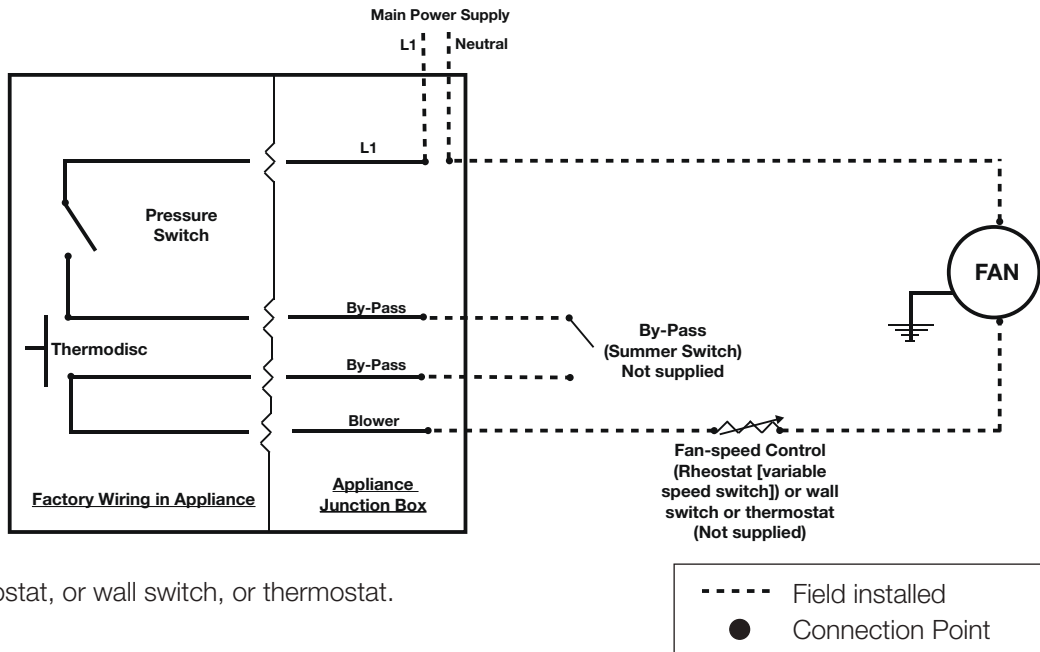
Blower Fan Connections

- Removing the junction box cover on the blower exposes 3 coloured wires:

One black wire
- connects to power "L2" (neutral lead).

One green wire
- connects to ground.

One white wire
- connects to the fan-speed control, rheostat, or wall switch, or thermostat.



VENT CONNECTION

D. Connect the 6" (152mm) liner to the 6" (152mm) appliance collar and blower collars. Secure using 3 screws on each end and seal with caulking. Liner stretches to a maximum of 10' (3m).

GRILL AND FILTER INSTALLATION

E. Insert the filter into the grill. Foam gasket (1/2" [13mm] weather stripping) between the grill and blower housing is recommended, but not supplied. The blower filter is washable. The bottom lip of the grill latches over the bottom lip of the housing. Use two screws to secure the top of the grill to the facing material.

note:

For complete installation instructions, refer to the blower kit.

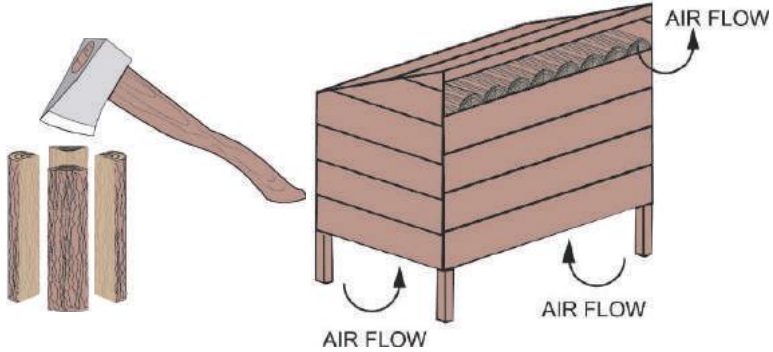
! WARNING

- This appliance is designed to burn natural wood only. Do not burn treated wood, coal, charcoal, coloured paper, cardboard, solvents or garbage. This appliance has not been tested with an unvented gas log set. To reduce risk of fire or injury, do not install an unvented gas log set into the appliance.
- Higher efficiencies and lower emissions generally result when burning air dried seasoned hardwoods, as compared to softwoods or too green or freshly cut hardwoods.
- Burning wet unseasoned wood can cause excessive creosote accumulation. When ignited, it can cause a chimney fire that may result in a serious house fire.
- Do not store fuel within the clearance to combustibles, or in the space required for re-fueling and ash removal.

TYPES OF WOOD

Both hardwood and softwood burn equally well in this appliance but hardwood is denser, will weigh more per cord and burn a little slower and longer.

Manufactured firelogs made by compressing 100% natural wood fibre can be safely used as fuel. Do not use manufactured firelogs if they contain additives such as paraffin, wax, binders etc. Never burn more than two manufactured firelogs at a time.



MOISTURE CONTENT

Burn only dry, clean unpainted wood that has been seasoned. It produces more heat and less soot or creosote. Freshly cut wood contains about 50% moisture while after proper seasoning only about 20% of the water remains. As wood is burned, this water boils off consuming energy that should be used in heating. The wetter the wood, the less heat is given off and the more creosote is produced. Dry firewood has cracks in the end of the grain.

STORING WOOD

Firewood should be split and stacked in a manner that allows for full air circulation and covered in early spring to be ready for burning that fall. Dry firewood has cracks in the end grain.

Cut the wood so that it will fit horizontally, front to back, making for easier loading and less of a likelihood that the wood will roll onto the glass.

Fuel for the appliance must not be stored closer than the required clearances to combustibles (heat sensitive material). **NEVER STORE WOOD IN THE ASH PAN COMPARTMENT (if applicable).**

8.0 operation

WARNING

- The wood heater has a preset minimum low burn rate that must not be altered. It is against United States Federal regulations to alter this setting or otherwise operate this wood heater in a manner inconsistent with instructions in this manual.

Before loading the appliance, ensure all required insulation and baffles (if equipped) are installed and situated properly. For maximum efficiency, when the appliance is thoroughly hot, load it fully to the specified maximum amount and burn at a medium low setting (if equipped). The whiteness of the bricks and the cleanliness of the glass are good indicators of your operating efficiency. Not enough heat is produced when only a few pieces of wood are burned or the wood may not burn completely.

note:

Appliances surrounded by solid rock or brick will experience a longer heat up period as those materials absorb the heat being generated.

Expansion / contraction noises during heating up and cooling down cycles are normal and to be expected.

TIPS FOR BURNING:

- Create a large fire to heat up the appliance before closing bypass door and adjusting to a slower burn.
- To create a large, quick burning fire, use small pieces of wood.
- For a lower, but extended burn, stack larger pieces of wood close together.
- For long burns, leave a 1" (25mm) - 2" (51mm) bed of ashes.
- Burn dry wood only.
- With the exception of overnight burns, create large, quick burning fires whenever possible. Smaller, slow burning fires using large logs will cause the glass to become dirty. Larger, quick burning fires using medium sized wood to refuel frequently are much more efficient.
- It is important to minimize visible smoke emitting from the chimney. Burning seasoned firewood, maintaining the appliance catalyst and following the operating instructions contained within this manual will ensure that visible smoke emissions are minimized.

DO'S

- Verify with a moisture meter that wood contains no more than 20% moisture content.
- Burn several pieces of medium sized wood as they are better than a few big pieces.
- Clean chimney regularly.
- Refuel frequently using medium sized wood.
- "Fine tune" the air settings (if applicable) for optimum performance.

DONT'S

- Take ash out immediately. Let it accumulate to a depth of at least one inch. A good ash layer provides for a longer lasting and better burning fire.
- Burn wet wood with more than 20% moisture content.
- Close the door too soon or damper down too quickly.
- Burn one large log rather than two or three smaller sized logs.
- Burn at continually "low setting" (if applicable), if glass door is constantly blackened. This means the firebox temperature is too low.

8.1 appliance operation

Primary combustion air enters through the air control inlet box to control draft, travels up the side through a duct and enters the top centre of the combustion chamber into a preheating airwash located across the top and then down the window to feed the fire and also to ensure that the glass remains clean.

Secondary air feeds directly into the combustion chamber at hearth level then travels to the secondary air chamber which injects the air to oxidize the unburnt gases rising to flue. During start up and refueling, the bypass door must be opened to circumvent the catalyst until operating temperatures are achieved.

The following operating procedure is recommended to achieve optimal performance:

When operating on high burn rate:

- We recommend setting the blower to the "HIGH" setting and operating with a thermodisc (located at the back of the appliance).

When operating on medium burn rate:

- We do not recommend using the blower.

When operating on low burn rate:

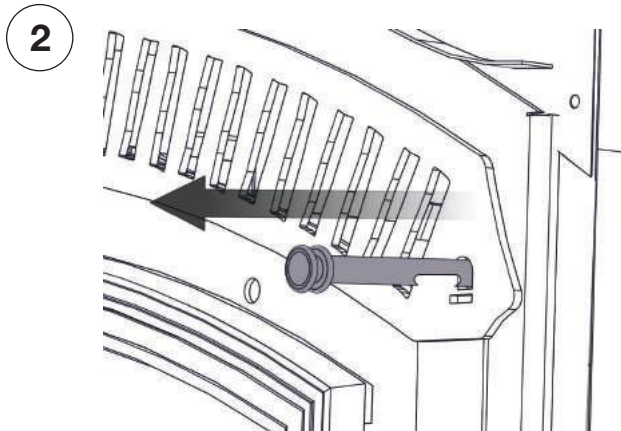
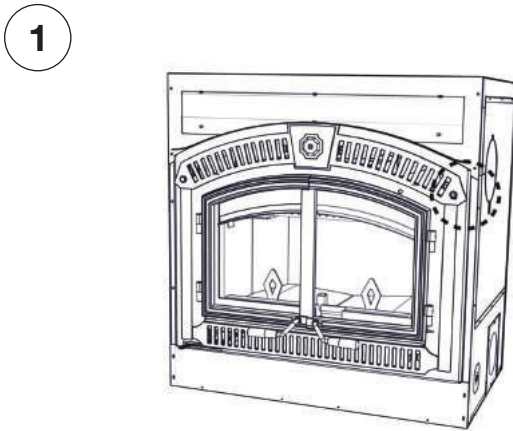
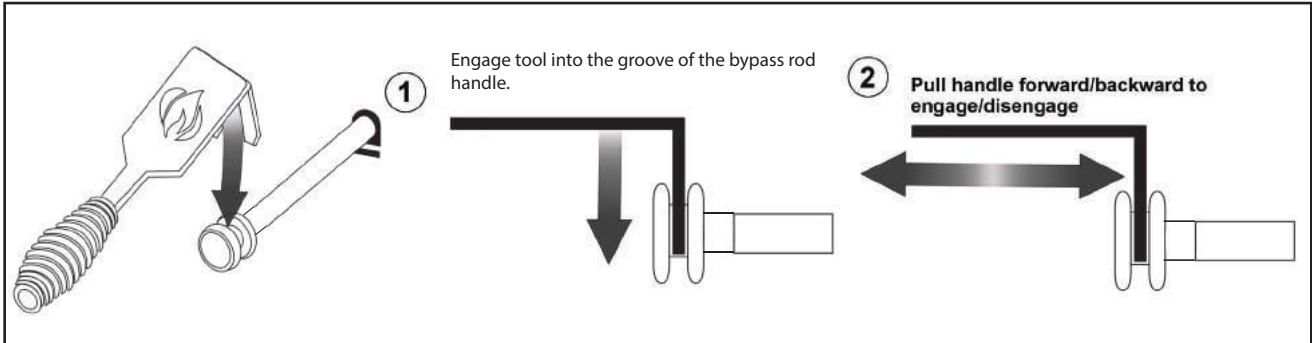
- We recommend turning on the blower after approximately 60 minutes at the minimum setting and operating with a thermodisc (located at the back of the appliance).

8.2 bypass door

The bypass door is an internal mechanism that allows the exhaust products to travel through an obstructive path to the flue prior to engaging the catalyst.

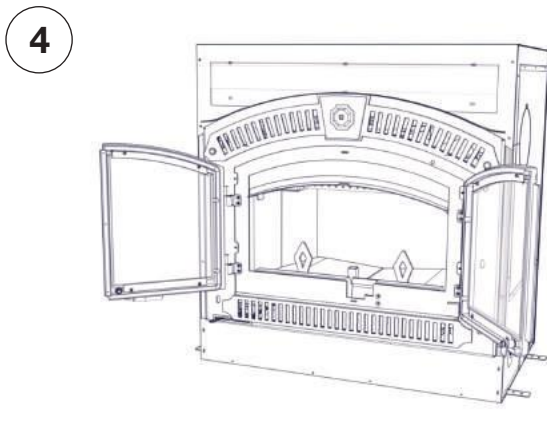
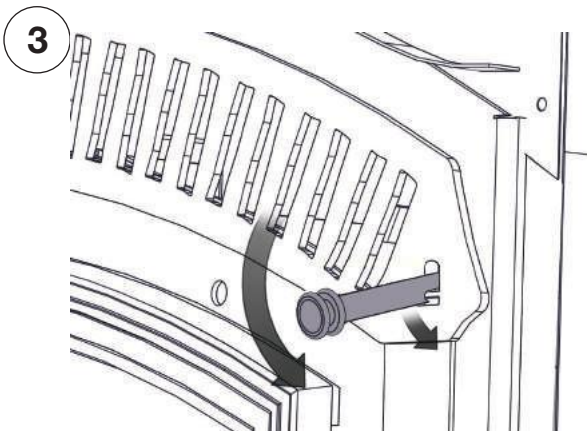
The bypass door is operated by pulling the bypass rod located on the right side of the appliance out and down until it catches and remains open. To shut the bypass door, pull the rod out and up allowing the rod to slowly retract into the appliance. Be sure not to allow the bypass door to slam shut.

The bypass pull handle tool must be used with your appliance for adjusting the bypass rod. This tool will prevent injury as the bypass rod becomes extremely hot as the appliance heats up. When you receive your appliance, the bypass rod tool will come unassembled. It can be easily assembled by screwing the spiralled handle onto the body of the tool.



Ensure bypass door is open during startup and re-fueling. See above for bypass door rod location.

Pull bypass rod outwards. When **hot**, use tool provided.



Press bypass rod downwards then inwards to lock into place.

Open firebox doors and load fuel.

operation

8.3 catalyst

This catalytic heater is equipped with a temperature probe to monitor catalyst operation. The catalyst is an integral part of this appliance. It is imperative to inspect and maintain the catalyst to help sustain optimal efficiency and emission levels. Catalyst operating temperatures range from 500°F to 1,400°F (260°C to 760°C); operating the appliance with the catalyst temperature above the maximum for a prolonged period will cause permanent damage. The supplied catalyst temperature monitor will indicate the catalyst temperature using an LED light. Please refer to operating instructions provided with the catalyst temperature monitor.

8.4 operating sounds, smells and characteristics

If a blower is installed, slight humming sound may be heard depending on the location of the blower. The sound may be minimized by turning down the blower speed. It is also normal during operation to hear creaking and/or ticking sounds as the metal plate components of the appliance expand and contract. This may be present during both warm up and cool down periods.

During the break-in period (the first 2 or 3 fires) create only small, hot fires using kindling. This will allow the firebrick to cure. Do not be alarmed if small hairline cracks develop in the firebrick. This is a normal occurrence and does not pose a safety hazard. During this time the paint may also emit an odour as it cures and you may wish to open a door or window to alleviate the smell.

There are many different ways to start a fire, review the hints and warnings in this section to ensure the fire is started properly.

8.5 air control

WARNING

- Always operate this appliance with the door closed and latched except during start-up and re-fueling.

Draft is the force which moves air from the appliance up through the chimney. The amount of draft in your chimney depends on the length of the chimney, local geography, nearby obstructions and other forces.

Inadequate draft may cause back-puffing into the room and may cause plugging of the chimney. Too much draft may cause an excessive temperature in the appliance, glowing red appliance parts or an uncontrollable burn which can all lead to a chimney fire or a permanent damage to the appliance.

The wood heater has a preset minimum low burn rate that must not be altered. It is against United States Federal regulations to alter this setting or otherwise operate this wood heater in a manner inconsistent with instructions in this manual.

8.6 fire extinguishers / smoke and carbon monoxide detectors

All homes with a solid fuel burning appliance should have at least one fire extinguisher in a central location, known to all, at least one smoke detector and carbon monoxide (CO) detector in the room containing the appliance. If the smoke detector sounds an alarm, correct the cause but do not deactivate or relocate the smoke detector. If the carbon monoxide detector sounds an alarm, immediately vent the area, evacuate and call your local fire department.

8.7 fuel loading and burn cycle

! WARNING

- Burn wood behind the log retainer directly on the firebricks. Do not use elevated grate or otherwise raise the fire.
- Do not store wood within appliance installation clearances or within the space required for re-fueling and ash removal.
- Burning wet, unseasoned wood can cause excessive creosote accumulation, which, when ignited, can cause a chimney fire that may result in a serious house fire.

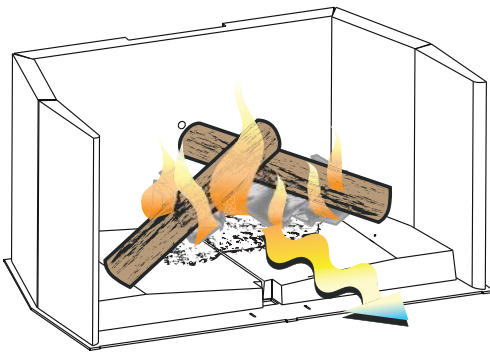
When operating the appliance efficiently, the bricks will be nearly all white and the glass mostly clear. The whiteness of the bricks and the cleanness of the glass are good indicators of your operating efficiency.

Not enough heat is produced when only one or two pieces of wood are burned.

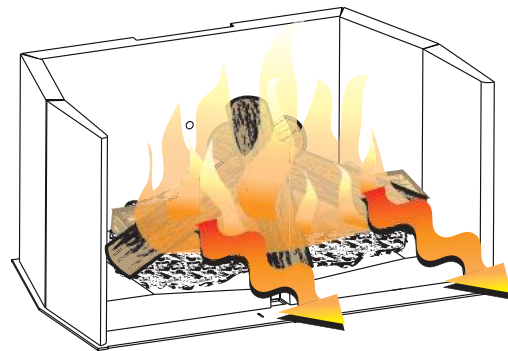
A minimum of three pieces are needed to encase a bed of coals that sustains the fire. Loosely stacked wood burns quicker than a tightly packed load.

A flash fire is a small fire burned quickly when you don't need much heat. After your kindling has "caught", load at least 3 pieces of wood, stacked loosely. Burn with the draft control fully open or closed only slightly.

Wood burns in cycles rather than giving a steady output of heat. It is best to plan these cycles around your household routine so that only enough coals are left to start the next load.



INSUFFICIENT FIREWOOD



SUFFICIENT FIREWOOD

8.8 lighting a fire

! WARNING

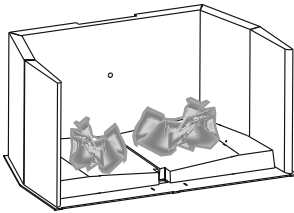
- Always operate this appliance with the door closed and latched except during start up and re-fueling or unless otherwise noted with compatible Wolf Steel approved accessories. Burning your appliance with the doors open or ajar creates a fire hazard that may result in a house and/or chimney fire. Always wear gloves to prevent injury. Do not leave the fire unattended when the door is unlatched or when using a spark screen as unstable wood could fall out of the fire chamber creating a fire hazard to your home.
- Never leave children unattended when there is a fire burning in the appliance.
- Never use gasoline-type lantern fuel, kerosene, charcoal lighter fluid, or similar liquids to start or “freshen up” a fire in this appliance. Keep all such liquids well away from the appliance.
- This appliance has not been tested with any vented or unvented gas log set. To reduce risk of fire or injury, do not install a vented or unvented gas log set into this appliance.

Make sure the air control lever is set to high and, if equipped, the bypass door is open. You may also open the doors 1” (25mm) to 2” (51mm) during the first five minutes of start-up, if additional air is needed see “combustion air” section.

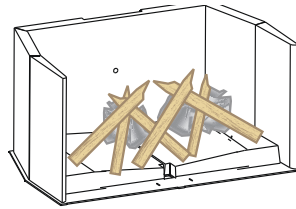
Remove all source of gasoline or other flammable vapours and liquids in the vicinity of this or other appliances prior to lighting.

Use plenty of newspaper and kindling to ensure the appliance quickly reaches a proper temperature. Once the kindling is burning rapidly, place a few larger pieces of wood onto the fire.

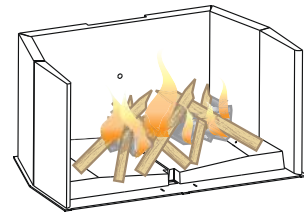
Tip: When first lighting a fire, if the smoke is not quickly drawn into the chimney, there may be a downdraft or cold air in the chimney. By first burning large amounts of crumpled newspaper, the chimney will get heated and the smoke will quickly vent up the chimney.



- A.** To start, a brisk fire is required. Roll up some newspaper (loosely crumpled), light it and place it near the appliance flue until the chimney begins to draw.



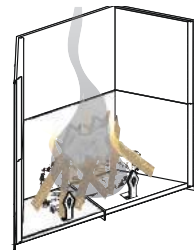
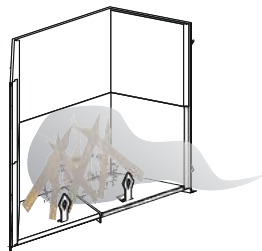
- B.** Cover with dry kindling.

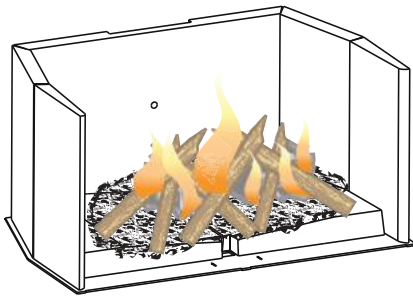


- C.** Light the paper and when the kindling is burning add more fuel.

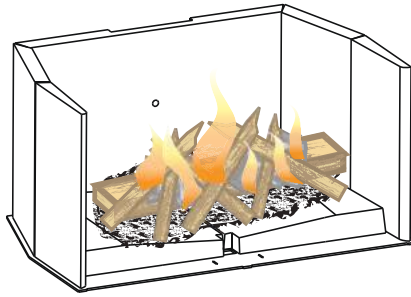
Draft is the force which moves air from the appliance up through the chimney. The amount of draft in your chimney depends on the length of the chimney, local geography, nearby obstructions and other forces.

Inadequate draft may cause back-puffing into the room and may cause plugging of the chimney. Too much draft may cause an excessive temperature in the appliance, glowing red appliance parts or an uncontrollable burn which can all lead to a chimney fire or a permanent damage to the appliance.

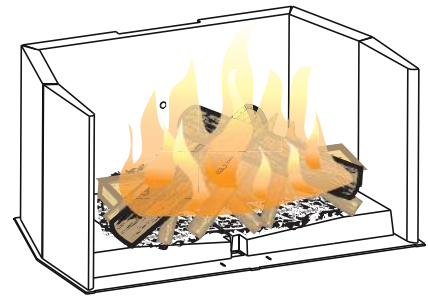




D. To maintain a brisk fire, a hot coal bed must be established and maintained.



E. Slowly add larger wood (2x4 size pieces). Lay the pieces lengthwise from side to side in the hot coal bed with a shallow trench between, so that the primary air can flow directly into this trench and ignite the fuel above.



F. When the fire seems to be at its peak, medium sized logs may be added. Once these logs have caught fire, carefully close the doors.

When a fire is burning, open the doors slowly to avoid drawing smoke into the room.

Closing the doors too quickly after refuelling will reduce the firebox temperature and may result in an unsatisfactory burn.

G. As soon as the doors are closed, you will observe a change in the flame pattern. The flames will get smaller and lazier because less oxygen is getting into the combustion chamber. The flames, however, are more efficient. The flames will remain lazy but become larger again as soon as the firebricks have been heated thoroughly and the chimney becomes heated and provides a good draft.

H. With the doors opened, the fire is wastefully drawing heated room air up the chimney which is certainly not desirable. Always operate with the doors fully closed once the medium sized logs have caught fire.

You can now add larger pieces of wood and operate the appliance normally. Once the appliance is entirely hot, it will burn very efficiently with little smoke from the chimney. There will be a bed of hot coals in the firebox so you can safely fill the firebox with wood to the top of the andirons.

Can't get the appliance operating? Use more kindling and paper.

Assuming the chimney and vent are sized correctly and there is sufficient combustion air, the lack of sufficiently dry quantities of small kindling is the problem. Thumb size is a good gauge for small kindling diameter.

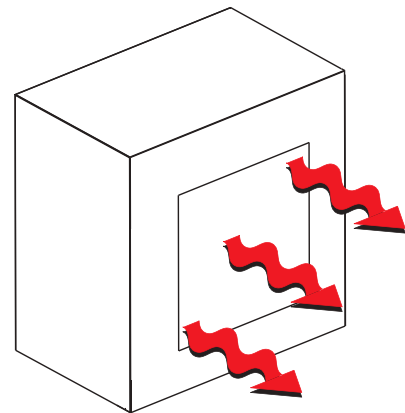
Can't get heat out of the appliance? One of two things may have happened. The appliance door may have been closed prematurely and the appliance itself has not reached optimum temperature. Re-open the door and/or draft control to re-establish a brisk fire. The other problem may have been wet wood. The typical symptom is sizzling wood and moisture being driven from the wood.

The only accurate way to determine wood moisture is with a moisture meter. Contact your local dealer for more information.

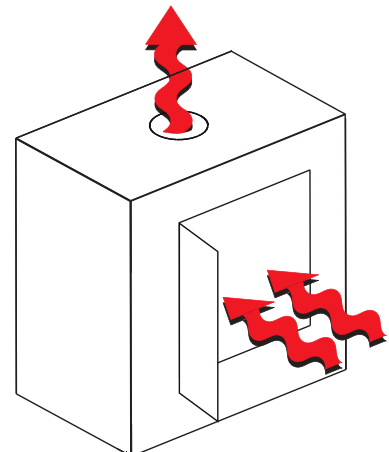
note:

Appliances surrounded by solid rock or brick will experience a longer heat up period as those materials absorb the heat being generated.

OPERATING WITH DOOR CLOSED



OPERATING WITH DOOR OPEN



operation

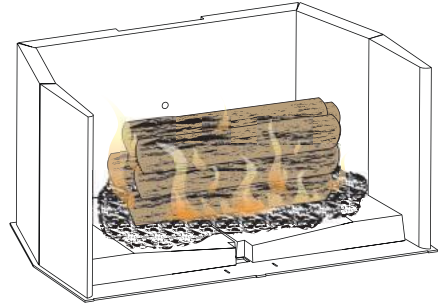
8.9 smoking

A properly installed appliance should not smoke. If yours does, check the following:

- Has the chimney had time to get hot?
- Is the smoke passage blocked anywhere in the appliance, chimney connector or chimney?
- Is the room too airtight and the air intake not connected to the outside? Try with a window partly open.
- Is the smoke flow impeded by too long a horizontal pipe or too many bends?
- Is it a weak draft perhaps caused by a leaky chimney, a cold outside chimney, too large a diameter of a chimney, too short a chimney, or a chimney too close to trees or a higher roof?
- Is the moisture content of the wood greater than 20%?
- If equipped, has the catalyst bypass been closed or closed prematurely?

8.10 overnight burn

- Get the appliance hot by moving the air control to high and letting the appliance burn for 15 minutes.
- Load your larger pieces of wood compactly, packed close enough to prevent the flames from penetrating it completely.
- After approximately 30 minutes, depending on the size of the load, reduce the draft control setting making sure that the fire is not extinguished.
- In the morning, the appliance should still be hot, with embers in the coal bed. Stir the coals and load small pieces of wood to re-ignite the fire, if desired.



NOTE: Differences in chimney height and draft may lower overall burn times.

DO NOT OVERFIRE THE APPLIANCE! Overfiring can occur by burning large amounts of smaller wood pieces or vigorously burning large loads of wood with the draft control on "HIGH" (fully open) for long periods of time (one or two hours).

8.11 re-loading the appliance

WARNING

- Burning wet, unseasoned wood can cause excessive creosote accumulation, which, when ignited, can cause a chimney fire that may result in a serious house fire.
- It is recommended to use heat-resistant gloves and/or metal tongs when reloading the appliance.

When refuelling, open the door slowly to prevent smoke spillage. Use a pair of long appliance gloves when feeding the fire. Keep a small steel shovel nearby to use as a poker and to remove ashes. Do not store wood within 4 feet (1.2m) of the appliance.

Follow the directions below to minimize smoke spillage while re-loading the appliance.

1. Move the air control to high.
2. Open the bypass door, if equipped.
3. Open the glass door slightly. Allow the airflow inside the firebox to stabilize before opening the doors fully.
4. Load wood and burn at a high setting.
5. After 5-10 minutes, close the glass doors.
6. Ensure catalyst temperature is stable then shut bypass door, if equipped, then shut down to medium low.

In the evening, load your appliance at least a half-hour before bed to ensure the fire is hot enough to close the draft control for an overnight burn, refer to the "overnight burn" section for detailed information.

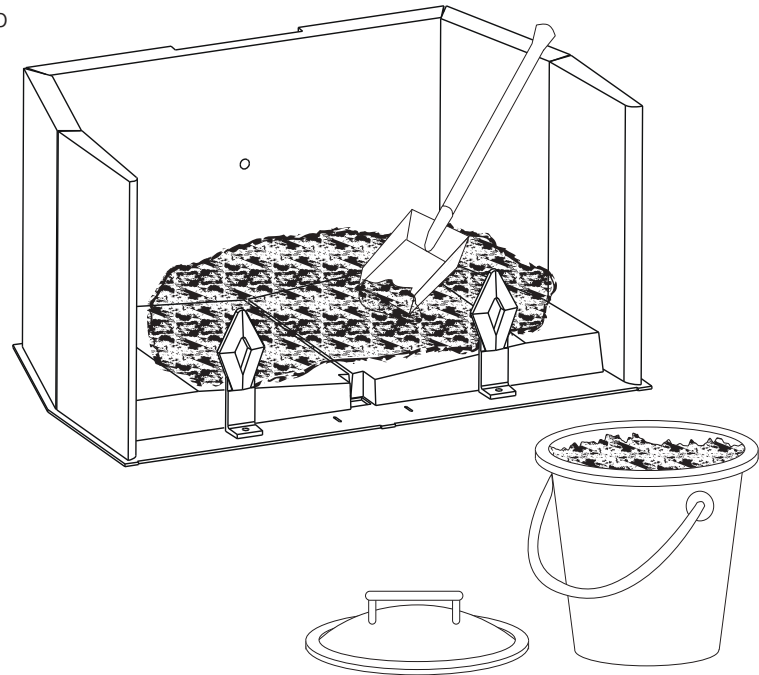
9.1 ash removal procedures

! WARNING

- Improper disposal of ashes results in fires. Do not discard ashes in cardboard boxes, dump in backyards, or store in garages.
- If using a vacuum to clean up ashes, be sure the ashes are entirely cooled. Using a vacuum to clean up warm ashes could cause a fire inside the vacuum.

A bed of ashes approximately 1" (25.4mm) deep should be left on the firebox bottom to help maintain a hot charcoal bed. When the fire has burned down and cooled, remove any excess ashes. To remove the ash, follow the directions below.

- After the last coal has extinguished, let the appliance cool at least two hours.
- Open the appliance doors.
- Scoop the ash from the firebox into a metal, airtight container with a lid. Cover the container with the lid and move the container away from the appliance onto a suitable non-combustible surface to ensure the ashes cool. Dispose of the ashes.



9.2 catalyst inspection and replacement

note:

The combustor supplied with this heater is an **ACI** brand long life ceramic combustor.

! WARNING

- Do not remove catalyst unless you are replacing with an approved kit.

It is recommended that the catalyst be inspected at the beginning, middle and at the end of each season for issues or defects such as cracks, crumbling, creosote / soot buildup and peeling of the catalyst coating. Not all catalyst defects may be visually apparent - please refer to the "troubleshooting" and "catalyst troubleshooting" sections of this manual for further appliance symptoms, causes and corrective actions.

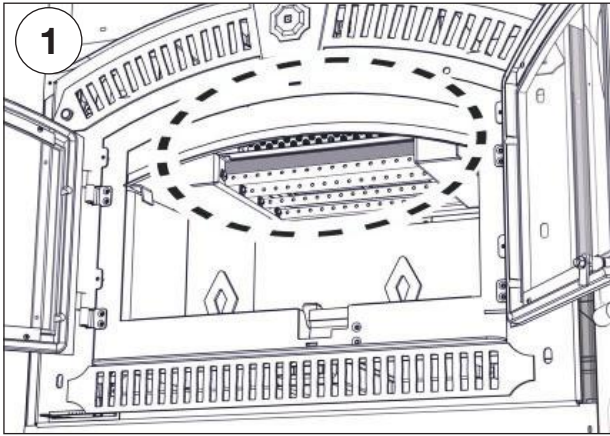
You can get an indication of whether the catalyst is working by comparing the amount of smoke coming out of the chimney after the catalyst has hit light off temperatures with the bypass open and the smoke not being routed through the combustor and then with the bypass closed and the smoke going through the combustor. Significantly more smoke will be seen when the exhaust smoke is routed through the bypass when a combustor is working. If this is not the case, refer to the "troubleshooting" and "catalyst troubleshooting" sections regarding catalytic maintenance.

The life span of the catalyst depends on many factors such as type of wood burned, frequency of appliance use, maintenance of appliance, etc. However, with proper inspection and maintenance, a catalyst should last between 6 to 10 years.

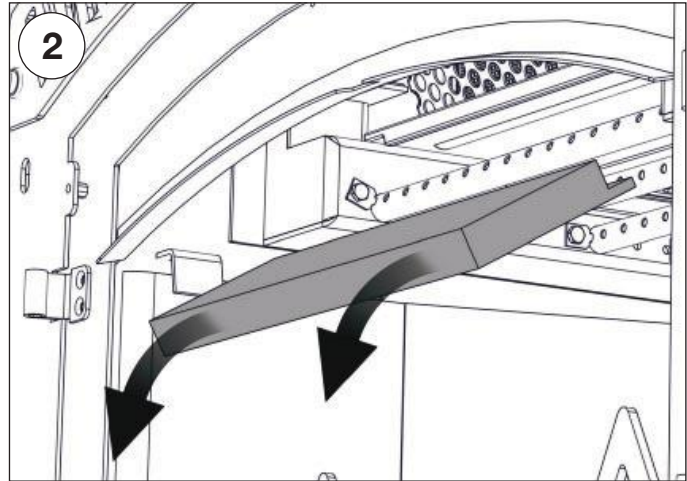
If replacement of the catalyst is necessary, please refer to the instructions supplied below or the replacement catalyst kit.

⚠ WARNING

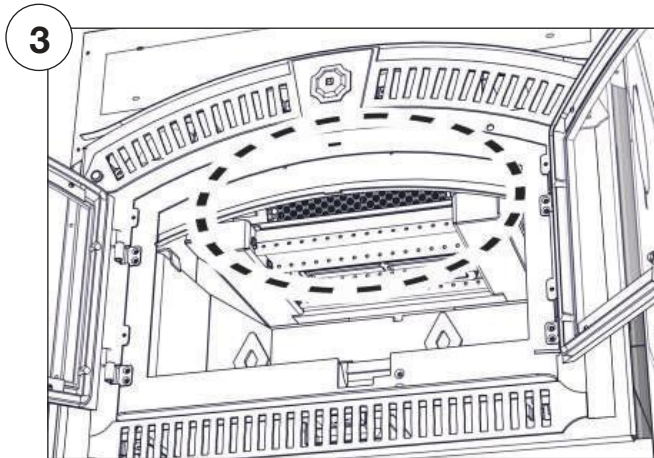
- Always check the wood heater has been cooled sufficiently before attempting to change any components within the firebox.



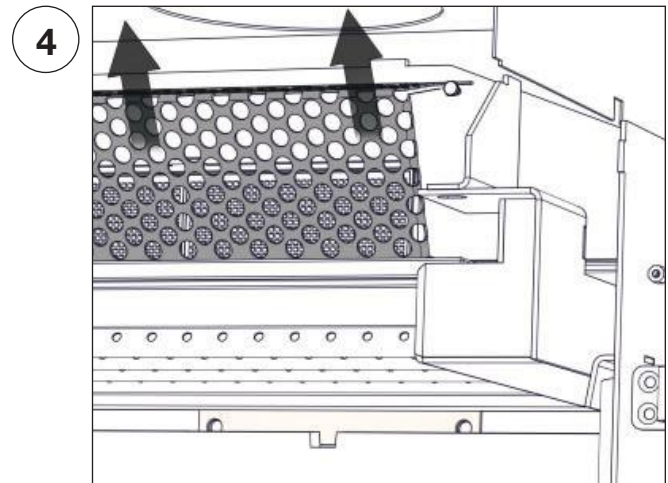
Locate the ceramic fibre baffle.



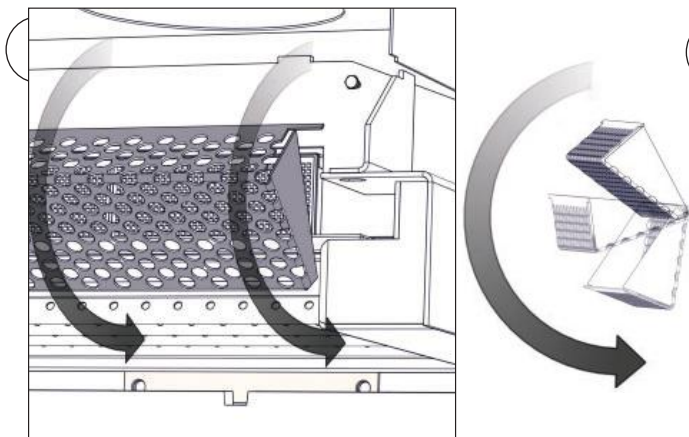
Slide baffle forward and down to remove.



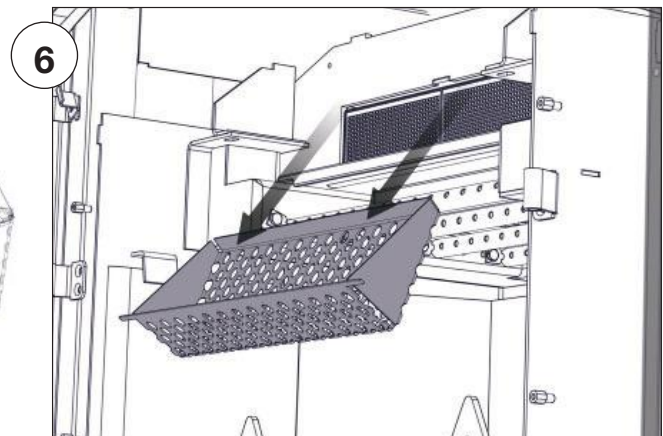
Locate the catalyst shield.



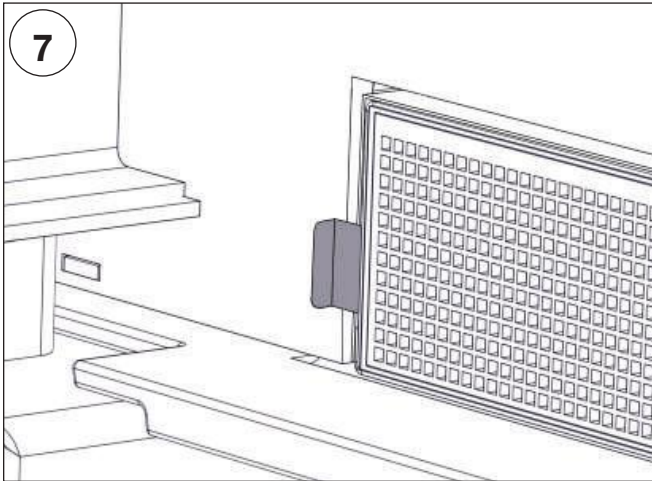
Move perforated catalyst shield up and over shoulder bolts.



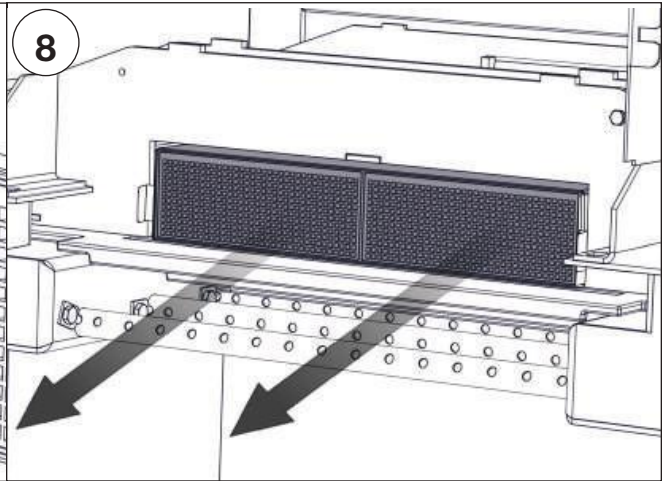
Pivot the perforated catalyst shield forwards until it is facing downwards.



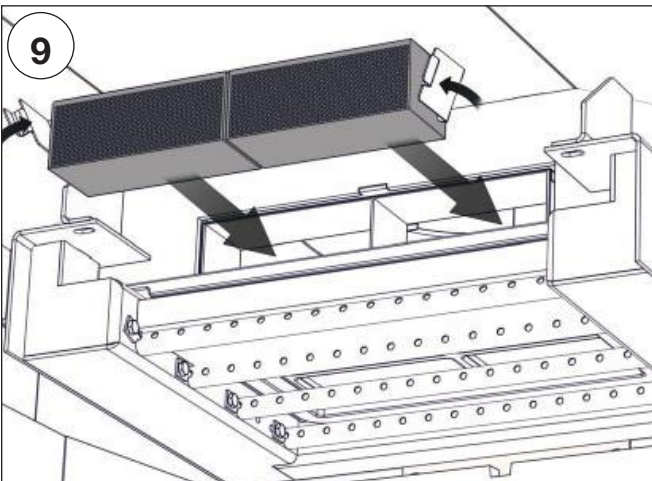
Remove the perforated catalyst shield.



Grab the steel tabs located on either side of the catalyst.

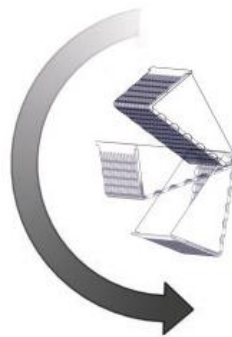
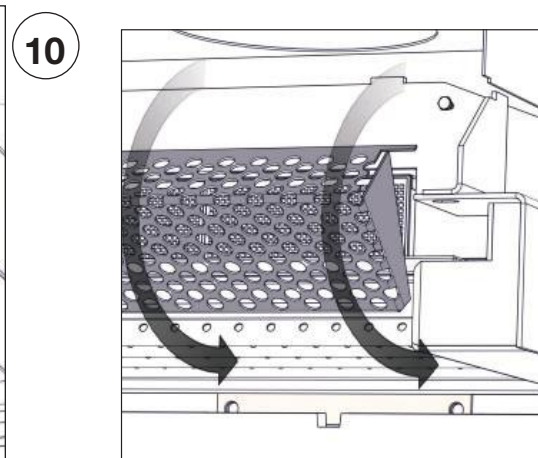


Slide the catalyst forward and out. The steel tabs are friction held and will separate from the catalyst when pulled out.



Holding the steel tabs located on either side of the catalyst, slide the new catalyst into the cavity.

TIP: Securing tabs with masking tape may aid installation.



Reinstall perforated catalyst shield in reverse.
Ensure basket rests on shoulder bolts from Step 2. Reinstall fibre baffle.

Tips for prolonging catalyst life:

- Do not overfire the appliance.
- Monitor catalyst temperatures.
- Avoid thermal shock (heating or cooling catalyst too quickly).
- Inspect catalyst regularly.
- Do not burn anything other than high quality wood mentioned in this manual.

maintenance

9.3 creosote formation and removal

When wood is burned slowly, it produces tar and other organic vapors, which combine with expelled moisture to form creosote. The creosote vapors condense in the relatively cooler chimney flue or a slow-burning fire. As a result, creosote residue accumulates on the flue lining. When ignited, this creosote makes an extremely hot fire.

The chimney connector and chimney should be inspected at least once every two months during the heating season to determine if a creosote buildup has occurred.

If creosote has accumulated, it should be removed to reduce the risk of a chimney fire.

9.4 run-away or chimney fire

WARNING

- A chimney fire can permanently damage your chimney system. This damage can only be repaired by replacing the damaged component parts. Chimney fires are not covered by the lifetime limited warranty.

CAUSES:

- Using incorrect fuel, or small fuel pieces which would normally be used as kindling.
- Creosote build up in chimney.
- Leaving the door ajar too long and creating extreme temperatures as the air rushes in the open door.
- If equipped, burning your appliance with the ash plug not securely seated.

SOLUTIONS:

- Do not burn treated, painted, artificial, paper or processed wood logs, coal, charcoal, coloured paper or cardboard.
- Have chimney regularly cleaned.
- Be careful not to over-fire the appliance by leaving the door open too long after initial start-up. A thermometer on the chimney connector and/or appliance top helps to indicate the appliance operating temperature.
- If equipped, always operate the appliance with the ash plug properly installed.

IN CASE OF A CHIMNEY FIRE:

- Close glass door and air control (and damper, when equipped).
- Have a well understood plan for evacuation and a place outside for everyone to meet. Prepare to evacuate to ensure everyone's safety.
- Call local fire department. Have a fire extinguisher handy. Contact local authorities for further information on how to handle a chimney fire.
- After the chimney fire is out, clean and inspect the chimney or chimney liner for stress and cracks prior to lighting another fire. Also check combustibles around the chimney and the roof.

9.5 chimney cleaning

WARNING

- See chimney manufacturer's installation instructions for cleaning and inspection instructions.

Both the chimney and the appliance must be inspected and cleaned if necessary at least once a year. For serious wood burners, chimney cleaning must be done as needed to avoid chimney fires; the venting systems for controlled combustion appliances may need cleaning as often as once a month. These rates, however, depend on the burning habits of the individual operating the appliance. For example, it is possible to clog a solid fuel appliance chimney in a few days if slow, smoldering fires are burned and the chimney is cold.

note:

Appliances burned consistently without hot fires may result in significant creosote accumulations in the chimney.

Certain items and considerations are important in chimney cleaning:

- Proper tools should be used, including a brush specifically designed for chimney cleaning.
- The chimney connector and dampers as well as the chimney should be cleaned.
- The appliance's firebox and baffle system should be cleaned if needed.
- The chimney should be inspected and repairs made if needed, preferably by a qualified chimney sweep or mason.

note:

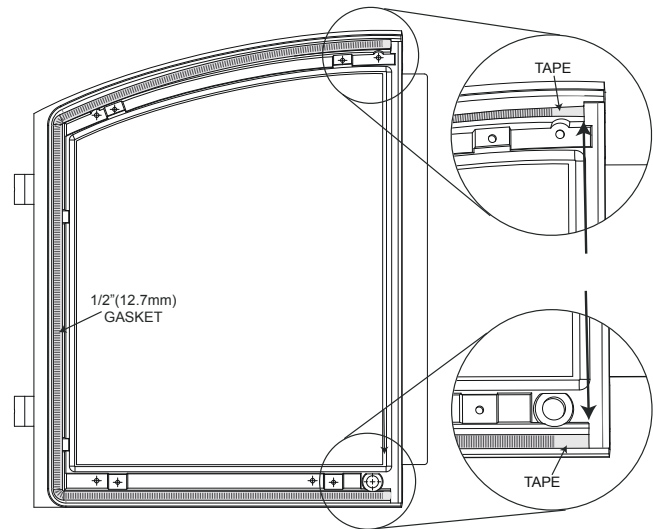
If cleaning the chimney from the inside of the firebox, the secondary air manifold must be removed and the gaskets replaced using gasket kit W370-0075. See "internal gasket replacement" section for details.

9.6 cast iron door glass and gasket replacement

Remove the doors from the appliance (if necessary, refer to your door installation instructions). Place the doors face down on a protected surface to avoid any damages.

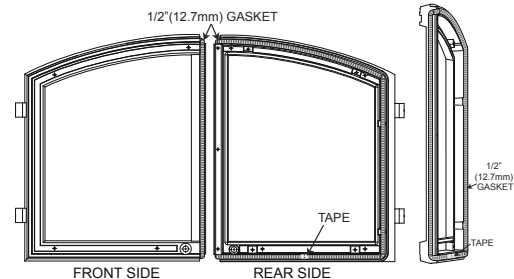
INSTALLATION INSTRUCTIONS FOR THE RIGHT DOOR:

- Remove the damaged gasket.
- Apply a thin bead of adhesive (red high temperature silicone [RTV] or wood stove gasket cement) in the top, side and bottom gasket grooves. The adhesive should follow the same path as the gasket, as shown.
- Wrap a piece of tape around one end of the 1/2" (13mm) gasket and cut through the center. This will stop the gasket from fraying.
- Place the taped end of the gasket into the groove, ensure it remains flush with the side of the door (recessed point). Without stretching or compressing the gasket, place it naturally along the top, side and bottom gasket grooves and into the adhesive, as shown.
- When you reach the end point, wrap a piece of tape around the gasket and cut through the center, ensuring the gasket is flush with recessed point, as shown above.



INSTALLATION INSTRUCTIONS FOR THE LEFT DOOR:

- Remove the damaged gasket.
- Apply a thin bead of adhesive (red high temperature silicone [RTV] or wood stove gasket cement) in the top, sides and bottom gasket grooves. The adhesive should follow the same path as the gasket illustrated.
- Wrap a piece of tape around one end of the 1/2" (13mm) gasket and cut through the center. This will stop the gasket from fraying.
- Place the taped end of the gasket centered in the groove at the bottom of the door. Without stretching or compressing the gasket, lay it naturally into the groove, on top of the adhesive as a continuous loop, as shown.



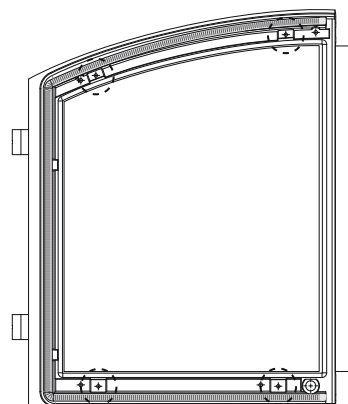
When you return to the other end of the gasket wrap a piece of tape around the other end of the gasket and cut through the center.

9.7 glass replacement

⚠ WARNING

- Care must be taken when removing and disposing of any broken glass or damaged components as they may be sharp. Be sure to vacuum up any broken glass from inside the appliance before operation.

- Remove the 4 screws securing the glass in place, as shown.
- Remove any broken glass.
- Replace with new glass and gasket (not supplied) (see "replacement parts" for details).
- Reinstall the 4 screws to hold the glass in place.

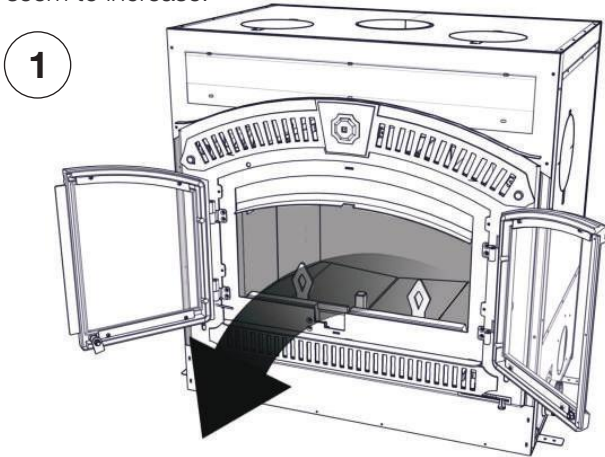


9.8 internal gasket replacement

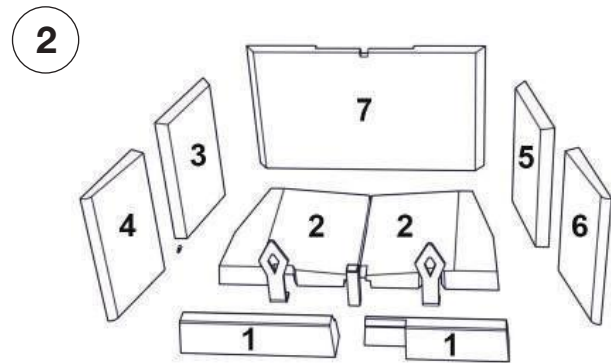
! WARNING

- All internal components are heavy. It is recommended to provide support for components where needed when installing.

It is recommended that the gaskets of your appliance be replaced every 6-10 years or when stove emissions seem to increase.



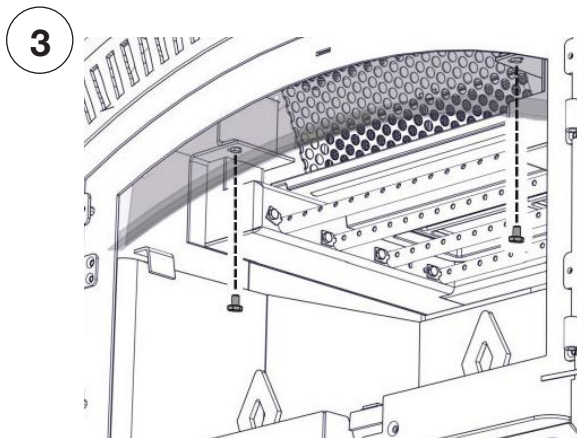
1



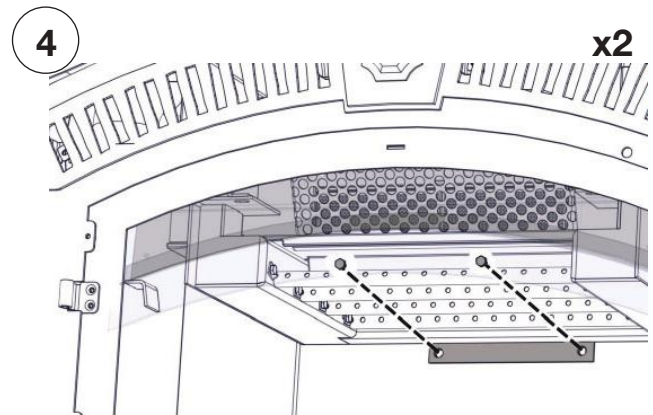
2

Remove all brick panels. See Step 2 for removal order.

Remove brick in order illustrated above.



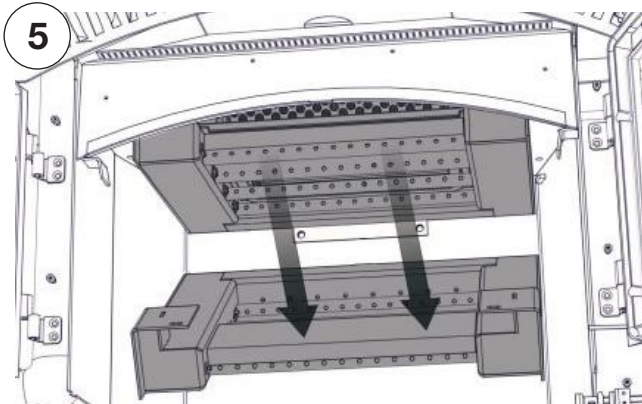
3



4

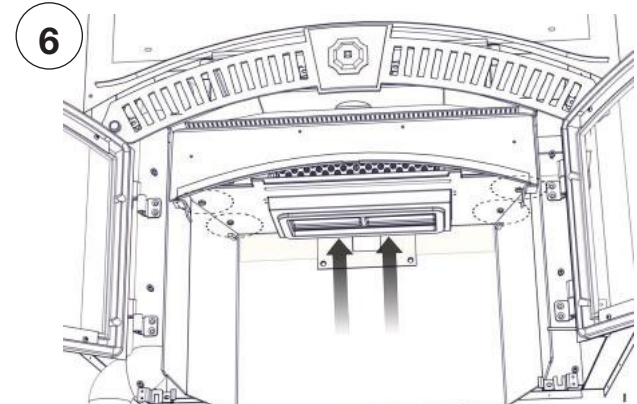
Remove front two nuts and bolts as illustrated above.

Remove two rear bolts.



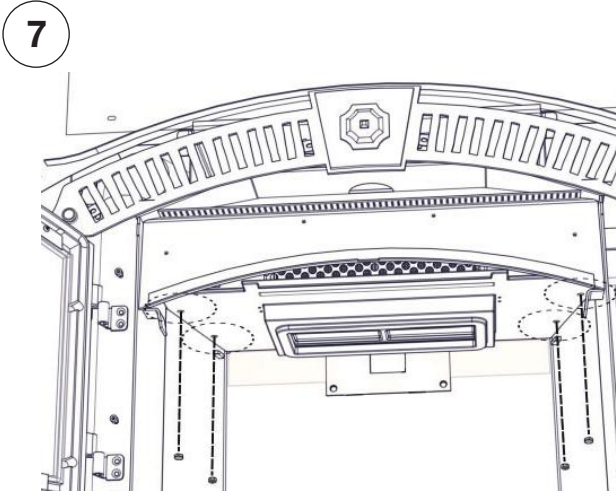
5

Slide secondary air manifold downward and out to remove. Scrape off gasket from rear and clean surface. Secure new gasket with high temperature silicone (not supplied).

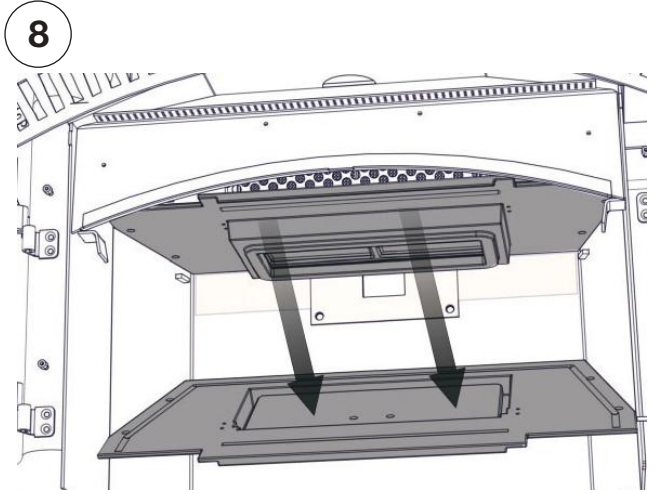


6

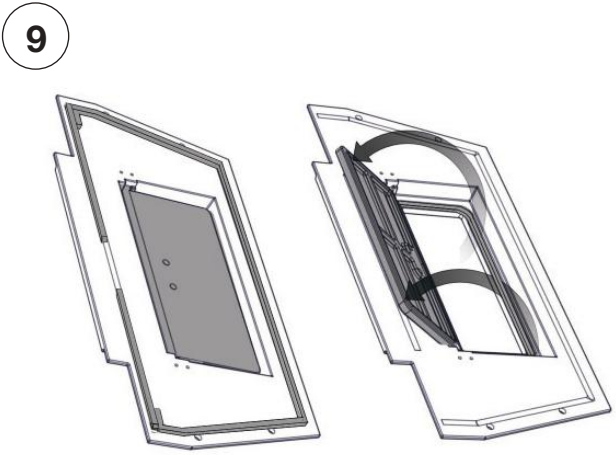
Reach in through the opening of the bypass door to access nuts.



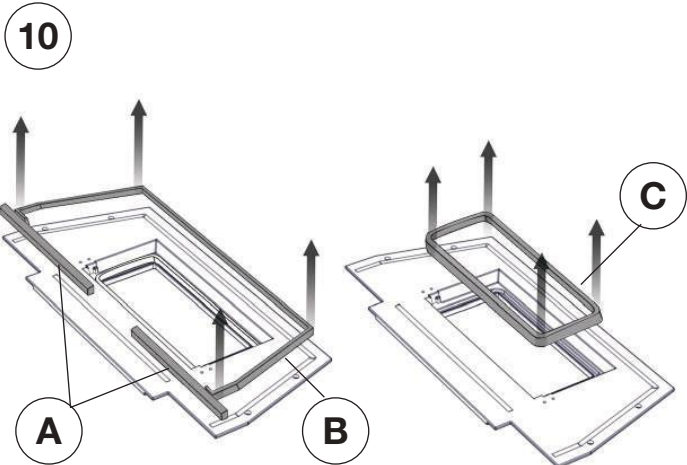
7 Remove nuts and bolts on either side of appliance while supporting the baffle.



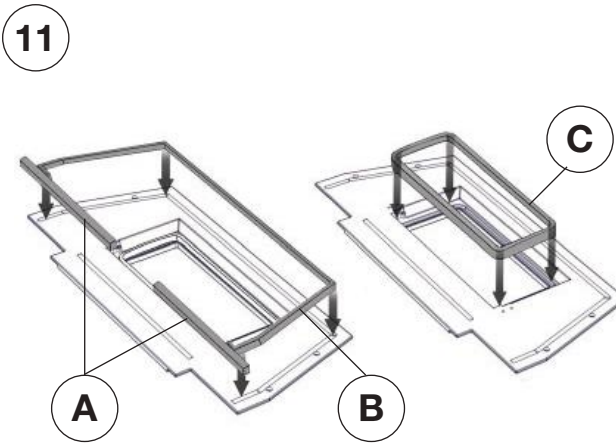
8 Lower baffle.



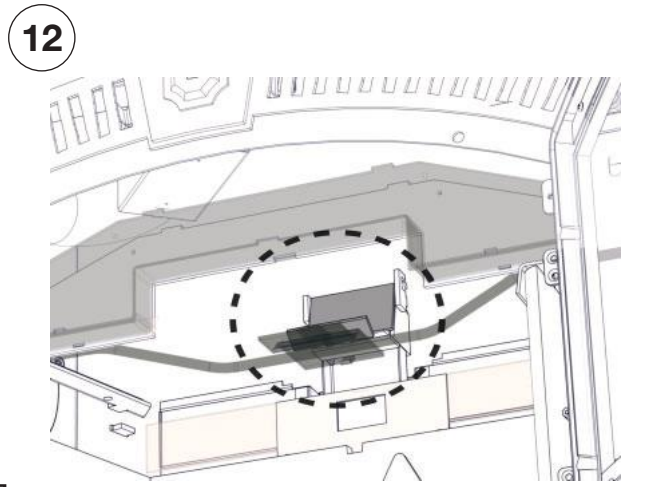
9 Open door to baffle.



10 Remove gaskets A, B, and C.

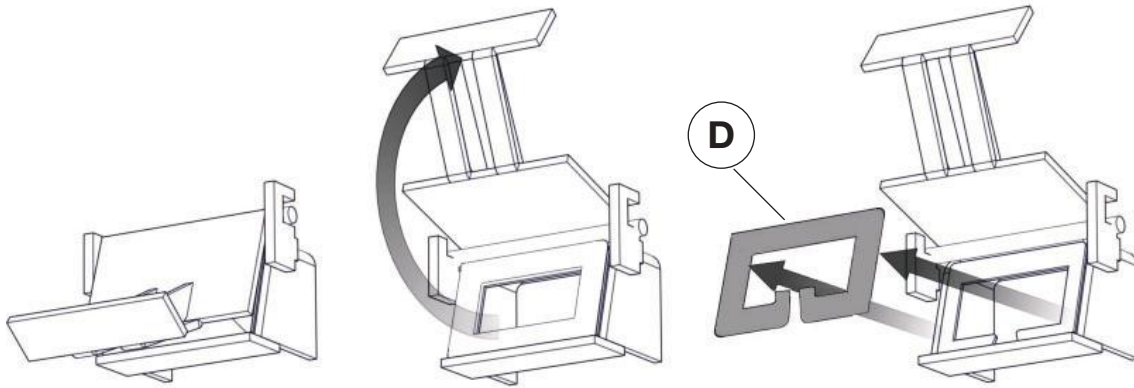


11 Replace gaskets A, B, and C. Secure with stove cement (not supplied).



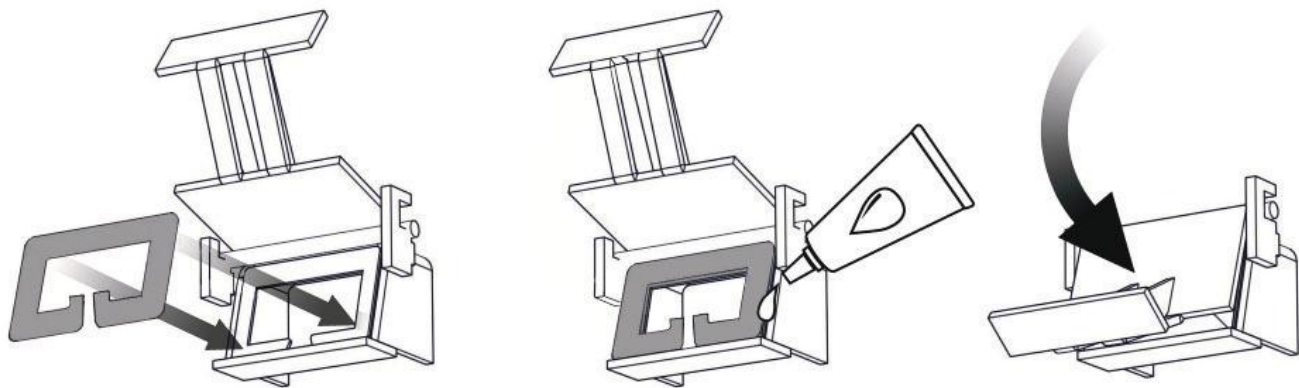
12 Locate Gasket D.

13



Open dilution door and remove gasket.

14



Apply new gasket using stove cement (not supplied) to secure. This is to prevent the ends from fraying and locking the gasket into position of the gasket groove.

15

After installing gaskets, follow Steps 1-8 in reverse to reinstall components.
Ensure smooth operation of bypass door.

maintenance

9.9 care of glass

WARNING

- Do not clean glass when hot! Do not use abrasive cleaners to clean glass.

If the glass is not kept clean, permanent discolouration and/or blemishes may result. Normally a hot fire will clean the glass. The most common reasons for dirty glass include:

- Not using sufficient fuel to get the appliance thoroughly hot.
- Using green or wet wood.
- Closing the draft so far that there is insufficient air for complete combustion.

If it is necessary to clean the glass, buff lightly with a clean dry cloth and non-abrasive cleaner. Clean the glass after the first 10 hours of operation with a recommended appliance glass cleaner. Thereafter, clean as required.

The glass is very strong, but do not let burning fuel rest or fall against it and always close the door gently.

NEVER FORCE OR SLAM IT SHUT!

Do not operate the appliance with broken glass, as leakage of flue gases may result.

Contact your local authorized dealer/distributor for complete cleaning instructions.

If the glass should ever crack or break while the fire is burning, do not open the door until the fire is out. Do not operate the appliance until the glass has been replaced. Contact your local authorized dealer/distributor for replacement parts. **DO NOT SUBSTITUTE MATERIALS.**

This appliance is factory equipped with 5mm ceramic glass. Use only replacement parts as supplied by the appliance manufacturer. **DO NOT SUBSTITUTE MATERIALS.**



9.10 care of catalyst

WARNING

- This wood heater contains a catalytic combustor, requiring periodic replacement and regular inspection for proper operation. It is against United States Federal regulations to operate this wood heater in a manner inconsistent with operating instructions in this manual. This includes the removal or deactivation of the catalytic element.

Periodic inspection of the catalytic combustor is needed to ensure proper functioning of the appliance and also to determine when replacement is required. Creosote buildup, increase in emissions and a loss of heat efficiency will result from a non-functioning combustor appliance.

Catalytic combustors should remain active under normal operating conditions for a period of six to ten years. This will be determined by the quality and the amount of wood burned.

9.11 care of plated parts

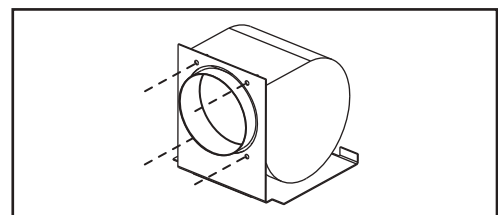
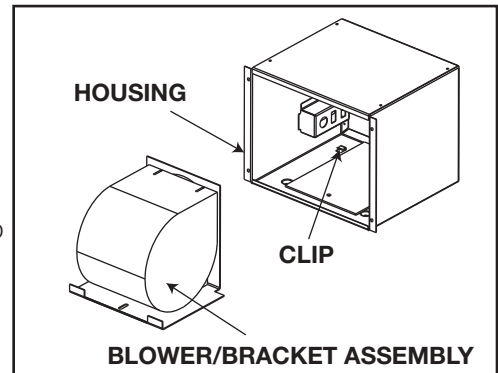
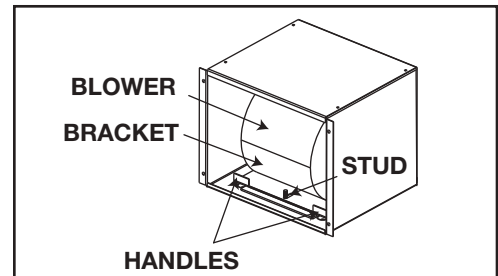
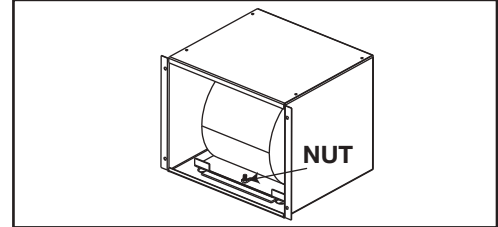
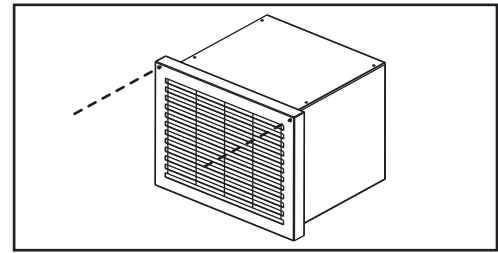
If the appliance is equipped with plated parts, you must clean fingerprints or other marks from the plated surfaces before operating the appliance for the first time. Use an ammonia-free or vinegar-based cleaner and a towel to clean. If not cleaned properly before operating for the first time, the marks can cause permanent blemishes on the plating. After the plating is cured, the fingerprints and oils will not affect the finish and little maintenance is required, just wipe clean as needed. Prolonged high temperature burning with the door ajar may cause discolouration on plated parts.

note:

The protective wrap on plated parts is best removed when the assembly is at room temperature but this can be improved if the assembly is warmed (i.e. using a hair dryer or similar heat source).

9.12 NZ64 blower replacement

- A. Remove the grill and filter by removing the 2 securing screws.
- B. Remove the nut securing the blower bracket to the housing.
- C. Lift the handles to pull the blower and bracket off of the stud.
- D. Slide the bracket and blower out of the housing.
- E. Disconnect the wire connector from the blower.
- F. Remove the old blower from the bracket by removing the four screws.
- G. Secure the new blower to the existing bracket using the four screws.
- H. Slide the new blower / bracket assembly into the housing. Ensure that the blower bracket slides into the clips at the back of the housing on either side.
- I. Push the assembly into the housing as far in as possible.
- J. Secure the assembly to the housing using the nut removed in step B.
- K. Re-secure the grill by replacing the 2 securing screws.



10.0 replacement parts

WARNING

- Failure to position the parts in accordance with this manual or failure to use only parts specifically approved with this appliance may result in property damage or personal injury.

Contact your dealer for questions concerning prices and policies on replacement parts. Normally, all parts can be ordered through your Authorized dealer / distributor.

For warranty replacement parts, a photocopy of the original invoice will be required to honour the claim.

When ordering replacement parts always give the following information:

- Model & Serial Number of appliance
- Installation date of appliance
- Part number
- Description of part
- Finish

Parts, part numbers, and availability are subject to change without notice.

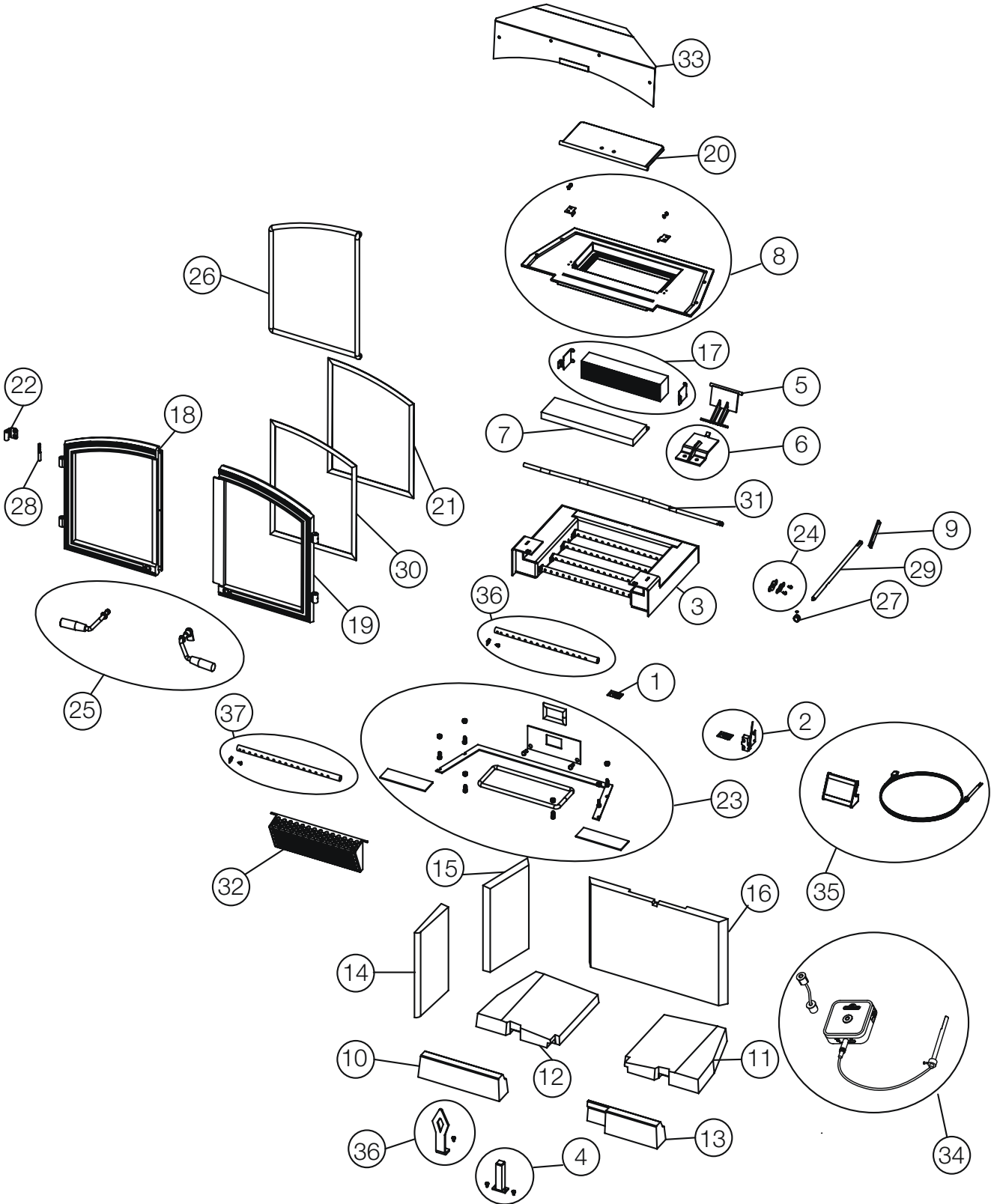
Parts identified as stocked will be delivered within 2 to 5 business days for most delivery destinations.

Parts not identified as stocked will be delivered within a 2 to 4 week period, for most cases.

Parts identified as 'SO' are special order and can take up to 90 days for delivery.

10.1 overview

Ref. No.	Part Number	Description	Stocked	Ref. No.	Part Number	Description	Stocked
1	W010-1854	Sensor bracket assembly		19	W370-0084	Cast door (RS) WI	
2	W010-4752	Wire harness assembly	Yes	20	W225-0370	Cast bypass door	
3	W010-4742	Secondary air assembly	Yes	21	W300-0134-SER	Main door glass (c/w gasket)	Yes
4	W010-4741	Pilot tube assembly	Yes	22	W330-0072	Main door hinge	Yes
5	W010-4313	Dilution air door assembly		23	W370-0075	Firebox gasket hardware kit	Yes
6	W010-4312	Bypass door bracket assembly		24	W370-0076	Bypass shaft kit	Yes
7	W018-0183	Fibre baffle	Yes	25	W370-0077	Cast door handle kit WI	Yes
8	W035-0417-SER	Cast baffle base		25	W370-0078	Cast door handle kit BK	Yes
9	W080-1637	Shaft rod bracket		26	W370-0079	Gasket 1/2" dia. rope kit	Yes
10	W090-0146	Front left brick	Yes	27	W380-0031BK-SER	Black knob assembly	
11	W090-0150	Base brick (RS)	Yes	27	W380-0031W-SER	Wrought iron knob assembly	
12	W090-0151	Base brick (LS)	Yes	28	W485-0043	Hinge pin	
13	W090-0321	Front right brick	Yes	29	W555-0097	Bypass opening rod	
14	W090-0310	Front side brick	Yes	30	W562-0004-SER	Gasket, 3/4" channel	Yes
15	W090-0311	Side brick	Yes	31	W580-0013	Bypass opening shaft	
16	W090-0312	Rear brick	Yes	32	W585-0853	Catalyst shield	
17	W137-0003-SER	Catalyst replacement kit	Yes	33	W585-0870	Air wash shield	
18	W370-0081	Cast door (LS) BK		34	W685-0002	Catalyst Temperature Monitor Kit	
18	W370-0083	Cast door (LS) WI		35	W715-0773-SER	Andiron trim	
19	W370-0082	Cast door (RS) BK		36	W720-0197	Lower secondary air tube	Yes
				37	W720-0198	Lower secondary air tube	Yes



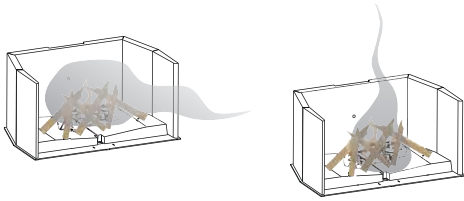
Items may not appear exactly as illustrated.

11.0 troubleshooting

11.1 general troubleshooting

symptom	problem	test solution
Smoke enters the room during start-up	Cold air blockage in chimney.	Burn a piece of newspaper to establish a draft.
	Closed doors.	If the flame is not getting enough air, first make sure the air control is open. If additional air is needed, open the doors a small crack only.
	Bypass closed.	Open bypass.
Kindling does not start - fire smolders.	Cold air blockage in chimney.	Burn a piece of newspaper to establish a draft.
	Not enough starter paper.	Use additional newspaper, if necessary.
	Not enough air.	First make sure the air control is fully open. If additional air is needed, a small crack in the doors is all that is needed.
Smoke enters the room while re-loading.	Bypass closed.	Open bypass.
	Insufficient draft.	Chimney height and outside conditions can negatively affect draft. In these cases, a small amount of smoke may enter the home. Adding more pipe or a draft-inducing cap may help. Clean chimney.
Appliance does not burn hot enough.	Bypass closed.	Open bypass.
	Wood is wet.	See "selecting wood" section.
Blower does not run.	Insufficient draft.	Chimney height and outside conditions can negatively affect draft. In these cases, a small amount of smoke may enter the home. Adding more pipe or a draft-inducing cap may help. Clean chimney.
	Air control is not wide open.	Make sure the air control is open all the way. Slide the control back and forth rapidly to ensure the control is not stuck.
	Catalyst not operating at optimal temperature	See catalyst troubleshooting section.
Faceplate is cold.	Appliance is not up to temperature.	This is normal. The blower will come on when the appliance is heated up enough to heat the room.
	Electricity is cut to the blower.	Check the household breaker or fuse to make sure it is operable.
	Door is ajar.	Appliance door must be closed for blower to operate.
Appliance does not burn overnight.	This is normal.	The air leading into the fireplace could come from the exterior. In these cases, this air comes into the firebox and exits the chimney. This will not damage the appliance.
	The doors are not sealing.	See "door glass / gasket replacement" section.
Sluggish stove performance.	Bypass open / not sealing.	Close bypass. Check gasket.
	Combustor is plugged.	Replace combustor.
	Burning materials that produce a lot of char and fly ash.	Remove the used material and replace with a quality air-dried seasoned wood.
	Burning unseasoned, wet wood or large quantities of small wood while engaging the catalyst and operating temperatures are not met.	Remove the unseasoned wet or small quantities of small wood and replace with quality air-dried seasoned wood. Check with moisture meter to ensure wood has maximum 20% moisture content.

Appliance smoking.



- Has the chimney had time to get hot?
- Is there adequate supply of combustion air?
- Is the outside air damper opened?
- Is the smoke passage blocked anywhere in the appliance or chimney?
- Is the smoke flow impeded by too long of a horizontal pipe or too many bends?
- Is it a weak draft perhaps caused by a leaky chimney, a cold outside chimney, too short a chimney, or a chimney too close to a tree or a higher roof?
- Bypass is closed while front door is open.

11.2 catalyst troubleshooting

symptom	problem	test solution
Crumbling Catalyst 	Catalyst failed	- Replace catalyst
	Extreme thermal shock	- Prevent the appliance from cooling or heating rapidly
	Refueling with unseasoned wet wood	- Burn seasoned dry wood
	Extremely high draft	- Ensure front doors are closed and sealing properly - Install manual damper
Thermal Cracking 	Catalyst failed	- Replace catalyst
	Uneven temperatures within catalyst	- Uneven temperatures within catalyst
Mechanical Cracking 	Catalyst failed	- Replace catalyst
	Appliance over fired	- Ensure front doors are closed and sealing properly - Do not run appliance on high burn for prolonged periods of time
Plugging  <p style="text-align: center;">Creosote</p>  <p style="text-align: center;">Fly-Ash</p>	Excess build up of creosote or fly-ash	- Clean plugged cells - Burn only dry seasoned wood - Engage catalyst only when light-off temperatures are met
	Combustor has not established light-off temperature	- Clean plugged cells - Engage catalyst only when light-off temperatures are met
Masking 	Combustor has not established light-off temperature	- Clean plugged cells - Engage catalyst only when light-off temperatures are met
	Burning Materials that create a lot of fly-ash (i.e. cardboard)	- Clean masked cells - Burn seasoned dry wood only, do not burn garbage, petroleum product or waste paper products

* Images for the Catalyst Troubleshooting are courtesy of Firecat Catalyst Combustors (Applied Ceramics Inc.)

12.0 warranty

Napoleon Wood Appliances are manufactured under the strict Standard of the world recognized ISO 9001 : 2015 Quality Management System.

Napoleon products are designed with superior components and materials assembled by trained craftsmen who take great pride in their work. The complete appliance is again thoroughly inspected by a qualified technician before packaging to ensure that you, the customer, receives the quality product that you expect from Napoleon.

Napoleon Wood Appliances President's Lifetime Limited Warranty

The following materials and workmanship in your new **Napoleon** Wood Appliance are warranted against defects for as long as you own the appliance. For pellet appliances this covers: the pellet hopper, outer shell, ceramic glass (thermal breakage only) and ash drawer.* For wood appliances this covers: combustion chamber, heat exchanger, stainless steel baffle retainer, ceramic glass (thermal breakage only), gold plated parts against tarnishing, porcelainized enameled components, aluminum extrusion trims, vortex baffles, ash drawer and iron castings.*

For pellet appliances, the combustion chamber and heat exchanger are warranted against defects for a period of 5 years.

For wood appliances equipped with a guillotine door/screen system, they are warranted against defects for a period of 5 years.

Electrical (110V) components and wearable parts are covered and **Napoleon** will provide replacement parts free of charge during the first year of the limited warranty. For pellet appliances this covers: blowers, thermal switches and burn pot.* For wood appliances this covers: blowers, thermal switch, switches, wiring, firebrick, secondary air tubes and gasketing.*

Labour related to warranty repair is covered free of charge during the first year, with the exception of the guillotine door/screen system which will be warranted for a period of 3 years. Repair work, however, requires the prior approval of an authorized company official. Labour costs to the account of **Napoleon** are based on a predetermined rate schedule and any repair work must be done through an authorized **Napoleon** dealer.

For appliances that include firebricks and baffles, they should routinely be removed by the operator as part of the regular service and therefore, any warranty replacement of these parts does not qualify for any labour allowances.

* Construction of models vary. Warranty applies only to components included with your specific appliance.

Conditions and Limitations

Napoleon warrants its products against manufacturing defects to the original purchaser only. Registering your warranty is not necessary. Simply provide your proof of purchase along with the model and serial number to make a warranty claim. Provided that the purchase was made through an authorized **Napoleon** dealer, your appliance is subject to the following conditions and limitations:

Warranty coverage begins on the date of original installation. This factory warranty is non-transferable and may not be extended whatsoever by any of our representatives. The wood appliance must be installed by a qualified and authorized installer, service agency or supplier. Installation must be done in accordance with the installation instructions included with the product and all local and national building and fire codes. This limited warranty does not cover damages caused by misuse, lack of maintenance, accident, alterations, abuse or neglect. Operating the appliance on high for extended periods of time, is neglect. Parts installed from other manufacturers will nullify this warranty.

This limited warranty further does not cover any scratches, dents, corrosion or discoloring caused by excessive heat, abrasive and chemical cleaners nor chipping on porcelain enamel parts, nor any venting components used in the installation of the appliance. In the first year only, this warranty extends to the repair or replacement of warranted parts which are defective in material or workmanship provided that the product has been operated in accordance with the operation instructions and under normal conditions. After the first year, with respect to the President's Limited Lifetime Warranty, **Napoleon** may, at its discretion, fully discharge all obligations with respect to this warranty by refunding to the original warranted purchaser the wholesale price of any warranted but defective parts. After the first year, **Napoleon** will not be responsible for installation, labour or any other costs or expenses related to the reinstallation of a warranted part, and such expenses are not covered by this warranty. Notwithstanding any provisions contained in the President's Limited Lifetime Warranty, **Napoleon's** responsibility under this warranty is defined as above and it shall not, in any event, extend to any incidental, consequential or indirect damages. This warranty defines the obligations and liability of **Napoleon** with respect to the **Napoleon** wood appliance and any other warranties expressed or implied with respect to this product, its components or accessories are excluded. **Napoleon** neither assumes, nor authorizes any third party to assume, on its behalf, any other liabilities with respect to the sale of this product. **Napoleon** will not be responsible for: over-firing, downdrafts, spillage caused by environmental conditions such as rooftops, buildings, nearby trees, hills, mountains, inadequate vents or ventilation, excessive venting configurations, insufficient makeup air, or negative air pressures which may or may not be caused by mechanical systems such as exhaust blowers, furnaces, clothes dryers, etc.

Any damages to appliance, combustion chamber, heat exchanger, brass trim or other component due to water, weather damage, long periods of dampness, condensation, damaging chemicals or cleaners will not be the responsibility of **Napoleon**. Regular cleaning of the fine ash generated during the operation of this appliance is a necessary part of maintaining your wood appliance. Failure of any components, which is attributed to poor maintenance, is not warrantable and will not be covered by this policy. **Napoleon** reserves the right to have its representative inspect any product or part thereof prior to honouring any warranty claim. All parts replaced under the President's Limited Lifetime Warranty Policy are subject to a single claim.

During the first 10 years **Napoleon** will replace or repair the defective parts covered by the lifetime warranty at our discretion free of charge. From 10 years to life, **Napoleon** will provide replacement parts at 50% of the current retail price. All parts replaced under the warranty will be covered for a period of 90 days from the date of their installation.

The manufacturer may require that defective parts or products be returned or that digital pictures be provided to support the claim. Returned products are to be shipped prepaid to the manufacturer for investigation. If a product is found to be defective, the manufacturer will repair or replace such defect. Before shipping your appliance or defective components, your dealer must obtain an authorization number. Any merchandise shipped without authorization will be refused and returned to sender. Shipping costs are not covered under this warranty. Additional service fees may apply if you are seeking warranty service from a dealer. Warranty labour allowance is only for the replacement of the warranted part. Travel, diagnostic tests, shipping and other related charges are not covered by this warranty and other related charges are not covered by this warranty.

All specifications and designed are subject to change without prior notice due to on-going product improvements. **Napoleon** is a registered trademark of Wolf Steel Ltd.

CATALYTIC COMBUSTOR LIMITED WARRANTY

The Catalytic Combustor has a 6 year limited warranty. Each appliance is entitled to only one replacement of a failed Catalyst Combustor during the first three-year term. After the three year term if a replacement Catalytic Combustor is required, the limited warranty will be covered according to the following schedule.

Year 4	60% of retail price
Year 5	40% of retail price
Year 6	20% of retail price
Year 7	full retail price

Any warranty replacement of the Catalytic Combustor does not qualify for labour allowances.

To qualify for the limited warranty the failed catalyst must be returned to Wolf Steel Ltd. and the following information must be provided.

1. Name, address, telephone # and e-mail.
2. Copy of original appliance purchase invoice.

All claims must be sent to and through an authorized Napoleon Dealer.

Damage to the catalytic combustor due to mishandling when removing, cleaning, or inspecting is not covered. Degradation of the combustor due to burning of anything other than natural cord wood is not covered. Burning any liquids, fuels and/or materials that been mentioned throughout this manual, but are not limited to this listing, will void the warranty. These items will cause the combustor to become deactivated.

NAPOLEON CELEBRATING OVER 40 YEARS OF HOME COMFORT PRODUCTS



7200, Route Transcanadienne, Montréal, Québec H4T 1A3
24 Napoleon Road, Barrie, Ontario, Canada L4M 0G8
214 Bayview Drive, Barrie, Ontario, Canada L4N 4Y8
103 Miller Drive, Crittenden, Kentucky, USA 41030
De Riemsdijk 22, 4004 LC Tiel, The Netherlands

Phone: 1-866-820-8686
napoleon.com

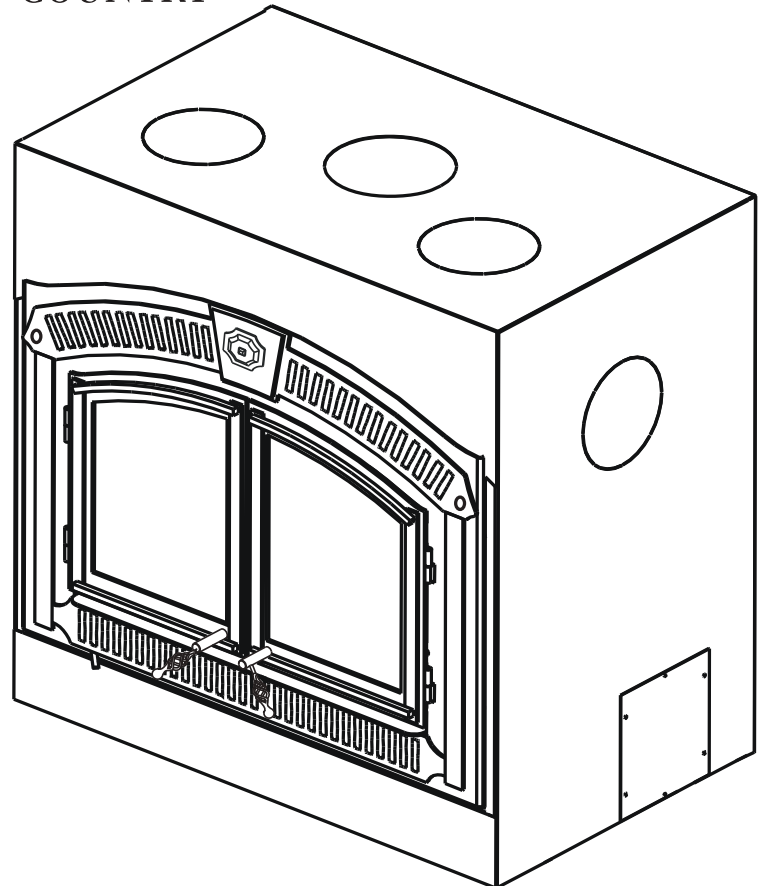
This wood appliance needs periodic inspection and repair. It is against United States federal regulations to operate this wood appliance in a manner inconsistent with the operating instructions in this manual.



MANUEL D'INSTALLATION ET D'OPÉRATION

HIGH COUNTRY^{MD} 3000H-1

Appareil Éco à Dégagement Zéro et à Combustible Solide



CERTIFIÉ SELON LES NORMES D'ÉMISSION PARTICULE DE 2020 DE L'AGENCE DE PROTECTION DE L'ENVIRONNEMENT AMÉRICAINE (E.P.A) EN UTILISANT DU BOIS DE CORDE. CET APPAREIL A ÉTÉ TESTÉ PAR POLYTESTS ET HOMOLOGUÉ PAR CSA GROUP AUX NORMES: ULC S629, ULC S610 & UL103 HT POUR LES APPAREILS CONSTRUITS EN USINE ET AU ULC S640, ULC S639 & UL 1777 POUR UTILISATION AVEC LES REVÊTEMENTS EN ACIER POUR LES FOYERS DE MAÇONNERIE À COMBUSTIBLE SOLIDE COMME RÉFÉRENCÉ DANS 40 CRF PARTIE 60 SOUS-PARTIE AAA. N° DE RÉFÉRENCE: 161746

INSTALLER:
Leave this manual with the appliance.

CONSUMER:
Retain this manual for future reference.

SAFETY INFORMATION

! WARNING

If the information in these instructions are not followed exactly, a fire or explosion may result causing property damage, personal injury or death. Please read the entire manual before you install and use your appliance. This heater has not been tested with an unvented gas log set. To reduce risk of fire or injury, do not install an unvented gas log set into the heater.

- This heater can be very hot when burning.
- Combustible materials such as firewood, wet clothing, etc. placed too close can catch fire.
- Children and pets must be kept from touching the heater when it is hot.
- The chimney must be sound and free of cracks. Before installing this appliance, contact the local building or fire authority and follow their guidelines.
- Always operate this appliance with the door(s) or screen (where applicable) tightly closed.
- Burn wood behind the log retainer directly on the firebricks.
- Do not use an elevated grate or otherwise raise the fire.
- This appliance is designed to burn natural wood only. Higher efficiencies and lower emissions generally result when burning air dried seasoned hardwoods, as compared to softwoods or to green or freshly cut hardwoods.
- Do not start a fire with chemicals or fluids such as gasoline, engine oil, etc.
- Do not burn trash or garbage, lawn clippings/waste, rubber, waste petroleum products, paints or paint thinners/solvents, plastic, materials containing asbestos, construction debris, railroad ties or treated wood, manure or animal remains, salt water driftwood or salted materials, unseasoned wood, coal, charcoal, coloured paper, cardboard, plywood or particleboard. Burning these materials may result in release of toxic fumes or render the appliance ineffective and cause smoke.
- Do not let the appliance become hot enough for any part to glow red.

Wood Stoves ONLY

- At least 14 squares inches (90.3 square centimeters) of outside air must be admitted to the room or directly to the appliance through a 4" (101.6mm) diameter pipe.
- KEEP THE STOVE TOP TEMPERATURE BELOW 700°F (371°C). Attempts to achieve heat output rates that exceed design specifications can result in steel distortion and damage.



Wolf Steel Ltd., 24 Napoleon Rd., Barrie, ON, L4M 0G8 Canada / 103 Miller Drive, Crittenden, Kentucky, USA, 41030
Phone 1 (866) 820-8686 • www.napoleon.com • hearth@napoleon.com

consignes de sécurité

FR

AVERTISSEMENT

- Cet appareil est chaud lorsqu'il fonctionne et peut causer de graves brûlures en cas de contact.
- Toute modification apportée à cet appareil ou aux contrôles peut être dangereux et est interdit.
- Ne faites pas fonctionner l'appareil avant d'avoir lu et compris les instructions d'opération. Omettre d'utiliser l'appareil selon les instructions d'opération pourrait causer un incendie ou des blessures.
- Avant d'installer cet appareil, contactez les autorités locales du bâtiment ou le service des incendies et suivez leurs directives.
- Cet appareil doit être installé par un installateur qualifié. N'essayez jamais de réparer ou de remplacer les pièces de cet appareil à moins que des instructions soient fournies à cet effet dans ce manuel. Tout autre travail devrait être effectué par un technicien qualifié.
- Risque de brûlures. L'appareil doit être éteint et refroidi avant d'effectuer un entretien.
- Ne faites pas fonctionner tant que tous les composants ne sont pas complètement installés. N'installez pas de composants endommagés ou incomplets ni des composants substitués.
- Ne laissez pas l'appareil chauffer au point où des parties deviennent rougeoyantes.
- Risque de coupures et d'éraflures. Portez des gants protecteurs et des lunettes de sécurité lors de l'installation. Les bordures des pièces de métal peuvent être coupantes.
- Cet appareil doit être raccordé électriquement par un électricien qualifié conformément aux codes locaux. En l'absence de codes locaux, utilisez la version courante du code canadien de l'électricité CSA C22.1 au Canada ou le national electrical code ANSI/NFPA 70 aux États-Unis.
- Brûler votre appareil avec la porte de décharge de cendre ouvert crée un risque d'incendie qui peuvent entraîner une décoloration de la porte, les dommages internes à l'appareil ou un feu de cheminée.
- Cet appareil ne doit pas être raccordé au conduit d'une cheminée desservant un autre appareil.
- Les enfants et les adultes devraient être informés des dangers que posent les températures de surface élevées et se tenir à distance afin d'éviter des brûlures ou que leurs vêtements ne s'enflamment.
- Surveillez attentivement les jeunes enfants lorsqu'ils sont dans la même pièce que l'appareil. Les jeunes enfants et autres sont plus à risque de contacts accidentels causant des brûlures. Une barrière physique est conseillée lorsque qu'il y a des individus à risque dans la maison. Pour empêcher l'accès à un appareil ou un poêle, installez une barrière de sécurité pour garder les jeunes enfants et autres individus à risque hors de la pièce et éloignés des surfaces chaudes. Les vêtements et autres matériaux combustibles ne doivent pas être posés sur le foyer ou à proximité.
- En raison des températures élevées, le foyer devrait être placé loin des endroits passants et loin des meubles et des rideaux. Les objets placés devant l'appareil doivent être gardés à une distance d'au moins 4 pieds (1,2m) de l'avant de l'appareil.
- En raison des températures élevées, l'appareil devrait être placé loin des endroits passants et loin des meubles et des rideaux.
- Assurez-vous de disposer de mesures de sécurité adéquates pour empêcher les jeunes enfants de toucher aux surfaces chaudes.
- Même une fois que le foyer est éteint, la vitre et/ou le pare-étincelles demeureront chauds pendant un temps prolongé.
- Consultez votre détaillant local de foyer pour connaître les grillages de sécurité et les écrans offerts pour protéger les enfants des surfaces chaudes. Ces grillages de sécurité et ces écrans doivent être fixés au plancher.
- Les grillages de sécurité ou écrans enlevés pour faire l'entretien devront être remis en place avant d'utiliser l'appareil.
- Cet appareil ne devra être modifié en aucun cas.
- Cet appareil ne doit pas être raccordé au conduit d'une cheminée desservant un autre appareil de chauffage à combustible solide.
- Ne pas opérer l'appareil lorsque la porte vitrée est enlevée, fissurée ou brisée. Le remplacement de la vitre devra être effectué par un technicien de service certifié ou qualifié.
- Ne frappez pas et ne claquez pas la porte vitrée de l'appareil.
- Seulement les portes/façades certifiées pour cet appareil peuvent être utilisées avec cet appareil.



! AVERTISSEMENT

- Gardez les matériaux d'emballage hors de la portée des enfants et mettez ces matériaux au rebut de façon sécuritaire. Comme tous les emballages de plastique, ces matériaux ne sont pas des jouets et doivent demeurer hors de la portée des enfants et des bébés.
- Si cet appareil n'est pas installé de façon adéquate, un incendie pourrait s'ensuivre. N'exposez pas l'appareil aux éléments (p. ex. la pluie, etc.) et gardez-le au sec en tout temps. De l'isolant humide produira une odeur lorsque l'appareil est utilisé.
- La cheminée doit être en bon état et ne pas être fissurée. Nettoyez la cheminée au moins deux fois par année et lorsque nécessaire.
- N'allumez pas votre feu à l'aide de produits chimiques ou de liquides tels que de l'essence, de l'huile à moteur, etc.
- Votre appareil nécessite un entretien et un nettoyage périodiques. Négliger cet entretien peut causer des refoulements de fumée dans la maison.
- Les cendres doivent être mises dans un contenant métallique avec un couvercle hermétique et déposé sur une surface incombustible suffisamment éloigné de la maison ou de toute structure jusqu'à ce qu'elles soient complètement refroidies.
- Assurez-vous de respecter les dégagements aux matériaux combustibles lorsque vous installez un manteau ou des tablettes au-dessus de l'appareil. Les températures élevées sur le mur ou de l'air au-dessus de l'appareil peuvent faire fondre, décolorer ou endommager les décorations, les téléviseurs ou autres composants électroniques.

! AVERTISSEMENT: Ce produit peut vous exposer à des substances chimiques incluant le plomb et les composés de plomb qui, selon l'État de Californie, causeraient le cancer, et des substances chimiques incluant le monoxyde de carbone qui, selon l'État de Californie, causeraient des malformations congénitales ou autres dangers pour la reproduction. Pour de plus amples renseignements, visitez le www.P65Warnings.ca.gov.

Pour les appareils de bois:

- Vous obtenez une meilleure efficacité et des émissions plus basses avec du bois dur séché à l'air qu'avec du bois résineux ou vert, ou des bois durs fraîchement coupés. Brûler du bois vert ou humide peut causer des accumulations excessives de crésote. Lorsqu'elle est allumée, cette dernière peut causer un feu de cheminée et un incendie grave pourrait s'ensuivre.
- Cet appareil a été conçu pour brûler du bois naturel uniquement. Ne brûlez pas de déchets, des résidus de tonte de pelouse, de caoutchouc, des produits pétroliers résiduels, de la peinture ou du diluant / de solvants, de plastique, des matériaux contenant de l'amiante, des débris de construction, des traverses de chemin de fer ou de bois traités, du fumier ou des restes d'animaux, du bois de grève imprégné de sel ou des matériaux salés, du bois non séché, de charbon, de papiers de couleur, emballage-cadeau, de cartons, des contreplaqués ou des panneaux de particules. La combustion de ces matériaux peut entraîner la libération de fumées toxiques ou rendre l'appareil inefficace et causer de la fumée.
- Brûlez le bois directement sur les briques réfractaires. N'utilisez pas un chenet et n'essayez pas de surélever le feu de quelque manière.
- Ne rangez pas de bois à l'intérieur des dégagements prescrits ou à l'intérieur de la zone nécessaire pour procéder au ravitaillement ou à l'enlèvement des cendres.
- Si équipé, le catalyseur doit être installé et en bon état de fonctionnement. Il est recommandé que le catalyseur est inspecté au moins 3 fois par saison de chauffage.

N'utilisez pas de compromis de fortune lors de l'installation. N'obstruez pas, entièrement ou partiellement, la grille et les ouvertures de l'appareil. N'ajoutez pas d'hotte. Faire fonctionner cet appareil avec la porte ouverte ou entrouverte crée un risque d'incendie de cheminée ou du domicile.

Tous les dégagements d'évacuation doivent se conformer aux instructions d'installation du fabricant de la cheminée. Les dégagements mentionnés dans ce manuel correspondent aux exigences minimales.

Votre appareil doit être installé selon les codes du bâtiment locaux et nationaux et selon les normes des Cheminées et Foyers, Événements, et Appareils à Combustion Solide NFPA #211. Consultez l'autorité compétente (comme le service municipal du bâtiment, le service des incendies, le bureau de prévention des incendies, etc.) afin de déterminer si vous avez besoin d'un permis d'installation. Si vous avez des doutes au sujet de l'installation appropriée pour votre situation particulière, contactez votre détaillant ou l'autorité locale des incendies ou du bâtiment. Le fabricant ne garantit pas que cet appareil et ses composants optionnels pourront chauffer votre maison au complet.



Nous suggérons que nos poêles à bois soient installés et entretenus par des professionnels certifiés aux États-Unis par le National Fireplace Institute® (NFI) et au Canada par le Wood Energy Technical Training (WETT).



Les bruits causés par l'expansion et la contraction lors des cycles de chauffage et de refroidissement sont tout à fait normaux et il faut s'y attendre. L'appareil doit être fixé au plancher. Pour ce faire, utilisez les supports servant à ancrer l'appareil sur la palette.

table de matières

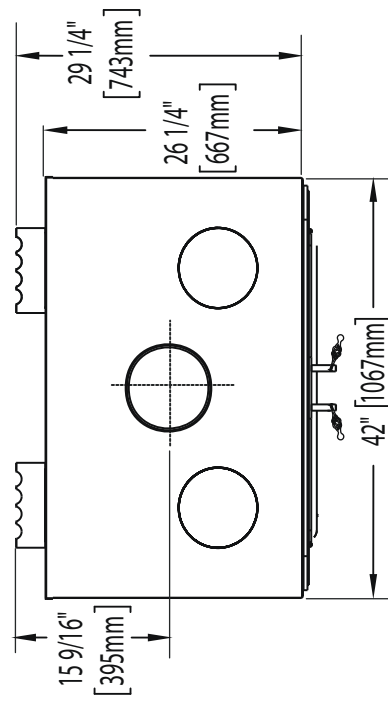
FR

1.0	dimensions	63	7.0	sélection du bois	91
2.0	information générale	64	8.0	fonctionnement	92
2.1	spécifications	64	8.1	fonctionnement de l'appareil	93
2.2	instructions générales	64	8.2	la porte de dérivation	94
2.3	information à propos de la plaque d'homologation	65	8.3	catalyseur	95
2.4	chauffage à haute efficacité	66	8.4	sons de fonctionnement, les odeurs, et caractéristiques	95
2.4.1	système d'évent d'air chaud par gravité (NZ220)	66	8.5	contrôle du tirage	95
2.4.2	système de chauffage centrale (NZ62CH)	67	8.6	extincteurs de feu / détecteur de fumée et carbon monoxyde	95
2.4.3	circulation avec la soufflerie (NZ64)	67	8.7	chargement du bois et cycle de combustion	96
3.0	planification de l'installation	68	8.8	allumage du feu	97
3.1	emplacement de l'appareil	68	8.9	fumage	99
3.2	air comburant extérieur	69	8.10	combustion nocturne	99
3.3	protection du plancher	70	8.11	rechargement de l'appareil	99
3.3.1	pare-braises et base de protection	70	9.0	entretien	100
3.4	exemples de bases de protection	71	9.1	enlèvement des cendres	100
4.0	installation	72	9.2	inspection et remplacement du catalyseur	100
4.1	cheminée	72	9.3	formation et enlèvement de la créosote	103
4.2	installation typique de la cheminée	73	9.4	feu de cheminée ou feu hors contrôle	103
4.3	ajout de sections de cheminée	74	9.5	nettoyage de la cheminée	104
4.4	installation de la cheminée avec déviation	75	9.6	remplacement de la porte de fer forgé et joint d'étanchéité	105
4.5	installation du solin et du collet de solin	76	9.7	remplacement du verre	105
4.6	raccordement à une cheminée de maçonnerie	76	9.8	remplacement du joint d'étanchéité interne	106
5.0	ossature	77	9.9	soins du verre	109
5.1	dégagements minimaux de combustibles	77	9.10	soins du catalyseur	109
5.2	dégagements minimaux aux enceintes combustibles	78	9.11	soins des pièces plaquées	109
5.3	dégagements minimaux de la tablette	78	9.12	remplacement de la soufflerie NZ64	110
6.0	finitions	79	10.0	pièces de rechange	111
6.1	ventilation de l'enceinte	80	10.1	vue d'ensemble	111
6.2	installation du déflecteur	81	11.0	guide de dépannage	113
6.3	installation de la façade	82	11.1	dépannage générale	113
6.3.1	enlèvement du gabarit	82	11.2	guide de dépannage du catalyseur	115
6.3.2	installation de la façade, de la charnière, du pare-cendres, et du levier du contrôle de combustion	82	12.0	garantie	116
6.3.3	installation de la porte	83	13.0	notes	118
6.3.4	réglage de l'écart de la porte	84			
6.3.5	installation du moniteur de température du catalyseur	85			
6.4	installation de la soufflerie optionnelle NZ64	88			

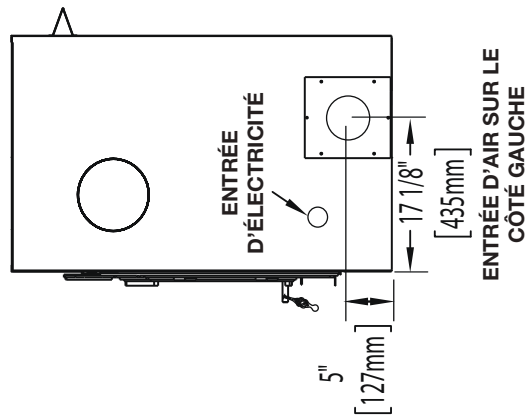
note:

L'information contenue dans ce manuel est jugée correcte au moment de l'impression. Wolf Steel Ltée. se réserve le droit de modifier ou de modifier toute information contenue dans ce manuel à tout moment sans préavis. Les modifications, autre que les éditoriaux, sont désignées par une ligne verticale dans la marge.

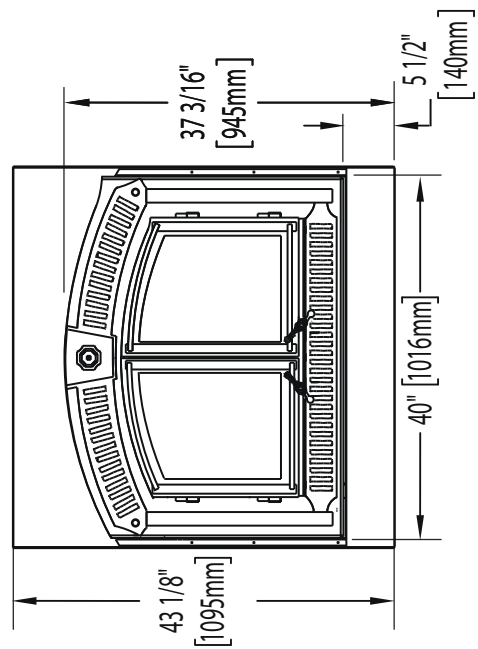
VUE DE DESSUS



VUE DE CÔTÉ DROITE



VUE DE FACE



2.0 information générale

FR

AVERTISSEMENT

- Cet appareil et ses composants sont conçus pour être installés et utilisés en tant que système. Toute altération ou substitution pour des éléments de ce système, sauf si autorisé par les présentes instructions d'installation, entraîne l'annulation de l'inscription de l'ETL et peut annuler la garantie du produit. Il peut également créer une installation dangereuse. Lire attentivement cette notice avant de commencer votre installation et suivez-les attentivement tout au long de votre projet.

2.1 spécifications

Émissions	1,38g/hr		
Efficacité	Total	LHV	HHV
	67,90%	68,55%	63,42%
Chambre (P.H.L.)	13,75" x 25,75" x 12,5" (349mm x 654mm x 318mm)		
Dimensions de Vision	391,22po ² (2524cm ²)		
Capacité	2,3 Pieds Cubes (0,07 Mètres Cubes)		
Surface de Chaleur Approx. *	Jusqu'au 3 000 Pieds Carré (279 Mètres Carrés)		
Débit de Chaleur **	60,000 BTU (17,6 KW)		
Durée Combustion Lente *	17 hrs		
Poids	551 lbs (249,9kg)		
Longeur Idéale de Bûches	25" (63,5cm)		
Soufflerie Optionnelle	318 CFM		
Air de Combustion	Intérieur ou Extérieur		
Tirage Électrique	< 12 Ampères		
Range de Débit de Chaleur ***	14 215 à 42 203 BTU		
Hauteur de Tas Minimum ****	15 pieds(4,5m)		
Normes d'Efficacité	B415.1-10		

* Ces données peuvent varier considérablement selon les conditions particulières.

** BTU/h réalistes estimés par Wolf Steel Ltée. avec des bûches de bois dur et un ravitaillement normal.

*** Dans les conditions d'essai particulières prévalant lors des essais de contrôle des émissions menés par l'EPA, cet appareil a produit de la chaleur en fonction des taux indiqués dans le tableau ci-dessus. Le poêle fonctionne de façon optimale lorsqu'il est réglé en position élevée.

**** Requis afin d'atteindre un bon tirage.

2.2 instructions générales

AVERTISSEMENT

- Avant d'installer cet appareil, contactez les autorités locales du bâtiment ou le service des incendies et suivez leurs directives.
- Cet appareil doit être installé par un installateur qualifié. Suivez les instructions d'installation. N'utilisez pas l'appareil tant que tous les composants ne sont pas entièrement assemblés.
- Si l'appareil n'est pas installé de façon adéquate, un incendie pourrait s'ensuivre.
- N'exposez pas l'appareil aux éléments (c.à.d. la pluie, la neige) et gardez-le sec en tout temps. Des matériaux isolants mouillés dégageront une odeur lors du fonctionnement de l'appareil.
- Cet appareil est chaud lorsqu'il fonctionne et peut causer de graves brûlures en cas de contact. Il faut empêcher les enfants et les animaux de toucher l'appareil quand il est chaud. Contactez votre détaillant local pour connaître les grillages de sécurité disponibles pour ce produit.
- Les matériaux combustibles tels que le bois de chauffage, les vêtements mouillés, etc. placés trop près de l'appareil pourraient prendre feu. Les objets placés devant l'appareil doivent être gardés à une distance d'au moins 48" (121,9cm) de l'avant de l'appareil.
- Cet appareil doit être raccordé électriquement par un électricien qualifié conformément aux codes locaux et, en l'absence de tels codes, à la version courante du CSA C22.1 Canadian Electric Code (Canada) ou le ANSI/NFPA No. 70 National Electric Code (États-Unis).
- (Continue sur la prochaine page)

AVERTISSEMENT (cont'd)

- Ce poêle à bois contient un catalyseur de postcombustion qui doit être inspecté et remplacé périodiquement afin d'assurer son bon fonctionnement. En vertu de la réglementation des États-Unis, il est interdit d'utiliser ce poêle à bois d'une manière non conforme aux instructions figurant dans le présent manuel. Il est également interdit d'utiliser l'appareil si l'élément catalytique a été désactivé ou retiré.
- N'installez pas ce produit dans un encastré ou autres appareils qui ne sont pas prévus pour un usage avec cet appareil.

2.3 information à propos de la plaque d'homologation

La plaque d'homologation est située à l'arrière la façade de l'appareil, au dessous de la chambre de combustion.

Cette illustration est à titre d'illustration seulement. Consultez la plaque d'homologation sur l'appareil pour obtenir l'information précise.

U.S. Environmental Protection Agency (E.P.A.)
 Certified to comply with 2020 particulate emission standards using cord wood. 40 CFR Part 60, Subpart AAA. EPA test method 28R, ASTM E2515 and ASTM E2780. Certified emission rate of 1.38g/h. Certified efficiency rate of 67.9%.

MINIMUM CLEARANCES TO COMBUSTIBLES:

REAR	0" (0 mm)	TO STAND-OFFS
SIDE	6" (153 mm)	FROM SIDE OF UNIT
FLOOR	0" (0 mm)	FROM BASE OF UNIT
HEADER	84" (2.13 m)	FROM BASE OF UNIT
CHIMNEY	2" (51 mm)	REFER TO MANUFACTURER'S INSTALLATION INSTRUCTIONS.
MANTEL	12" (305 mm)	TO TOP EDGE OF FACEPLATE
TOP FACING	84" (2.13 m)	FROM BASE OF UNIT
SIDE FACING	6" (153 mm)	FROM SIDE OF UNIT
ADJACENT SIDEWALL	21" (534 mm)	TO EDGE OF FACEPLATE
HEARTH PROTECTION	21" (534 mm)	FROM FRONT OF UNIT
HEARTH PROTECTION	12" (305 mm)	FROM SIDES OF UNIT
*TOP OF UNIT (ENCLOSURE CEILING)	84" (2.13 m)	FROM BASE OF UNIT

*FOR FURTHER INFORMATION SEE THE MANUFACTURER'S INSTALLATION AND OPERATING MANUAL.

DO NOT REMOVE THIS LABEL

L'Agence de Protection de l'Environnement Américaine (E.P.A.)
 Certifié selon les normes d'émission de particule de 2020 de l'Agence de Protection de l'Environnement Américaine (E.P.A.) en utilisant du bois de corde. 40 CFR Partie 60, Subpartie AAA. Méthode de test 28R, ASTM E2515 et ASTM E2780. Taux d'émission de 1.38g/h certifié. Taux d'efficacité de 67.9% certifié.

DÉGAGEMENTS MINIMAUX AUX MATÉRIELLES COMBUSTIBLES

ARRIÈRE	0" (0 mm)	AUX ESPACEURS
CÔTE	6" (153 mm)	DU CÔTÉ DE L'APPAREIL
PLANCHER	0" (0 mm)	DE LA BASE DE L'APPAREIL
LINTEAU	84" (2.13 m)	DE LA BASE DE L'APPAREIL
CHEMINÉE	2" (51 mm)	RÉFÉREZ-VOUS AU MANUEL D'INSTRUCTIONS DU FABRICANT.
TABLETTE	12" (305 mm)	DU HAUT DE LA FAÇADE
DESSUS	84" (2.13 m)	DE LA BASE DE L'APPAREIL
CÔTÉ	6" (153 mm)	DU CÔTÉ DE L'APPAREIL
MUR LATÉRAL ADJACENT	21" (534 mm)	DU BORD DE LA FAÇADE
PROTECTION DE PLANCHER	21" (534 mm)	DU DEVANT DU FOYER
PROTECTION DE PLANCHER	12" (305 mm)	DES CÔTÉS DU FOYER
*HAUT DE L'APPAREIL (PLAFOND DE LA CLÉVALE)	84" (2.13 m)	DE LA BASE DE L'APPAREIL

*POUR PLUS D'INFORMATIONS, CONSULTEZ LE MANUEL D'INSTRUCTIONS DU FABRICANT.

NE RETIREZ PAS CETTE PLAQUE

CERTIFIED TO / CERTIFIÉ SELON: ULC S610, UL-127
 Overall Efficiency/Efficacité Total: 67.9% | LHV: 68.55% | HHV: 63.42%

SERIAL NO. **NZ3000H-1**

MODEL NO. NZ3000H-1
 N° DE MODÈLE NZ3000H-1

LISTED FACTORY BUILT FIREPLACE / FOYER PRÉFABRIQUÉ HOMOLOGUÉ

COMPONENTS REQUIRED FOR INSTALLATION:

SHIPPED WITH THE FIREPLACE:
 INSTALLATION MANUAL
 EMFIRE EMBER STRIP

SHIPPED WITH THE DOORS:
 INSTALLATION INSTRUCTIONS AND HARDWARE

CHIMNEY REQUIREMENTS (see installation manual):
 Chimney must be certified to one of the following standards: ULC S629 or ULC S610 for Canada or UL103 HT for the United States.
 Masonry chimney installation: Stainless steel liner must be certified to ULC S640 or ULC S639 for Canada or UL 1777 for the United States.

MINIMUM CHIMNEY HEIGHT	15 ft (4.57 m)	MAXIMUM NUMBER OF ELBOWS	4
MAXIMUM CHIMNEY HEIGHT	34 ft (10.36 m)	CHIMNEY	7°
MAXIMUM OFFSET ANGLE			30° US - 45° CANADA

PREVENT CREOSOTE FIRE: INSPECT CHIMNEY AND CHIMNEY CONNECTOR, IF APPLICABLE, TWICE MONTHLY AND CLEAN IF NECESSARY. DO NOT OVERFIRE. IF EXTERIOR OF UNIT GLOWS RED, YOU ARE OVERFIRING. KEEP FURNISHINGS AND OTHER COMBUSTIBLE MATERIALS A CONSIDERABLE DISTANCE AWAY FROM APPLIANCE. TYPE OF FUEL: CORD WOOD ONLY.

PRÉVENIR CRÉOSOTE FEU: INSPECTER LA CHIMÉE ET LE RACCORD DE CHIMÉE, SI APPLICABLE, DEUX FOIS PAR MOIS ET NETTOYER SI NÉCESSAIRE. NE SURCHAUFFEZ PAS: SI L'EXTÉRIEUR DE L'APPAREIL DEVIENT ROUGE, VOUS SURCHAUFFEZ. GARDEZ LES MEUBLES ET AUTRES MATÉRIELS COMBUSTIBLES À UNE DISTANCE CONSIDÉRABLE DE L'APPAREIL DE CHAUFFAGE. TYPE DE COMBUSTIBLE: BOIS DE CORDE SEULEMENT.

OPTIONAL COMPONENTS / PIÈCES OPTIONNELLES
 BLOWER KIT / SOUFFLEURS: NZ24 / HOT AIR GRAVITY VENTS / NZ220
 NZ64 / VENTILATION PAR GRAVITÉ / NZ220

ACCESSORIES PROVIDED BY MANUFACTURER ARE TO BE UTILIZED ONLY / SEULS LES ACCESSOIRES FOURNIS PAR LE FABRICANT PEUVENT ÊTRE UTILISÉS.

REPLACE ONLY WITH 5MM CERAMIC GLASS / REMPLACER LES VITRES UNiquement PAR DU VERRE CERAMIQUE DE 5MM.
 DO NOT USE A FIREPLACE INSERT OR OTHER PRODUCT NOT SPECIFIED FOR USE WITH THIS PRODUCT. / N'INSTALLEZ PAS CE PRODUIT DANS UN ENCASTRE OU AVEC D'AUTRES APPAREILS QUI NE SONT PAS PRÉVUS POUR UN USAGE AVEC CE PRODUIT.

MANUFACTURE DATE:
 YEAR: 2020 2021 2022 2023 2024
 MONTH: 1 2 3 4 5 6 7 8 9 10 11 12

WOLF STEEL
 24 NAPOLEON ROAD, BARRIE, ONTARIO L4M 0G8 CANADA

WARNING:

- For use with cord wood only.
- Not for use in mobile homes.
- Operate with feed door closed. Open to feed fire only.
- Transport ashes in an air-tight non-combustible container.
- This fireplace has not been tested with an unvented gas log set. To reduce risk of fire or injury, do not install an unvented gas log set into fireplace.

AVERTISSEMENT:

- Pour emploi avec du bois de corde seulement.
- Ne pas être installé dans une maison mobile.
- Tenir les portes fermées lorsque le foyer fonctionne.
- N'ouvrez que pour ravivier le feu.
- Transporter les cendres dans un contenant incombustible possédant un couvercle étanche.
- Ce foyer n'a pas été testé avec un ensemble de bûches à gaz non ventilées. Afin de réduire le risque d'incendie ou de blessure, n'installez pas d'ensemble de bûches à gaz non ventilées dans ce foyer.

W365-2451 / A

note:
 La plaque d'homologation doit rester avec l'appareil à tout instant. Elle ne doit pas être enlevée.

information générale

FR

2.4 chauffage à haute efficacité

Le NZ3000H-1 est un appareil à haute efficacité qui peut fonctionner en tant qu'un système autonome, cependant, nous recommandons d'installer une soufflerie pour augmenter l'efficacité de l'appareil.

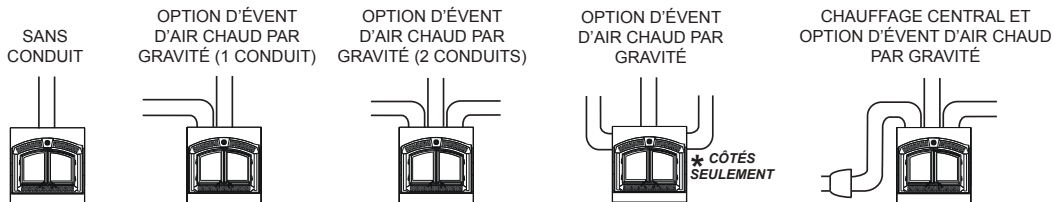
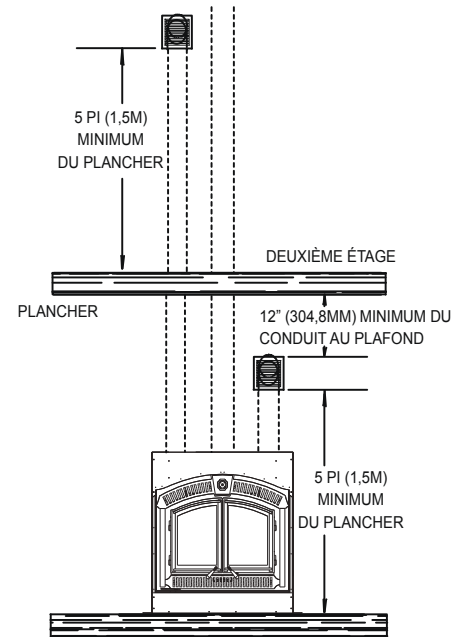
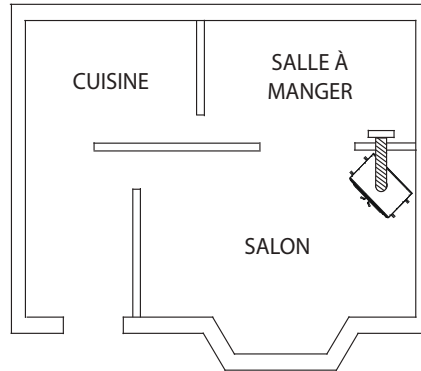
Le NZ3000H-1 et ses systèmes de distribution de chaleur **ne peuvent pas** être connecter à d'autres systèmes de conduit. Le NZ3000H-1 doit être conduit indépendamment lors d'utiliser ces options d'installation.

2.4.1 système d'évent d'air chaud par gravité (NZ220)

! AVERTISSEMENT

- Tous les événements d'air chaud par gravité doivent être isolés.

Peut être utilisé pour distribuer la chaleur dans une pièce adjacente (qui peut se trouver soit au-dessus, soit à côté de la pièce où se trouve l'appareil) au moyen de conduits, éliminant ainsi le besoin d'une soufflerie additionnelle. Bien que ce système puisse être utilisé conjointement avec les souffleries optionnelles, ceci pourrait réduire la distribution d'air chaud dans les autres pièces. Il vous faudra faire des essais pour ajuster manuellement les registres selon vos besoins. Ceci peut nécessiter quelques tentatives; une fois réglés, vous n'aurez plus besoin de les ajuster tout comme les registres de votre système de chauffage centrale. Un maximum de deux événements d'air chaud par gravité peuvent être installés sur l'appareil. La longueur de chaque évent ne doit pas excéder 10 pieds (3m).

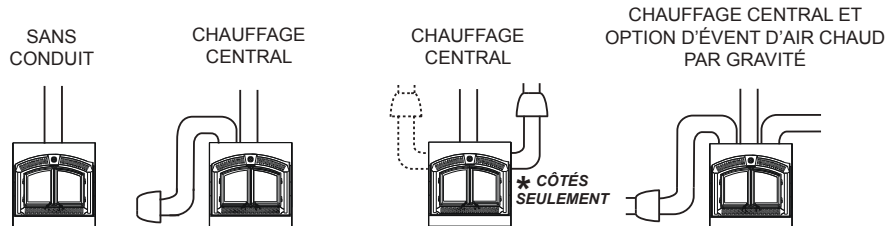
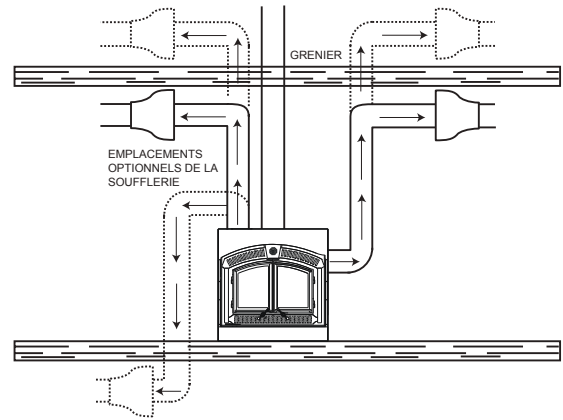
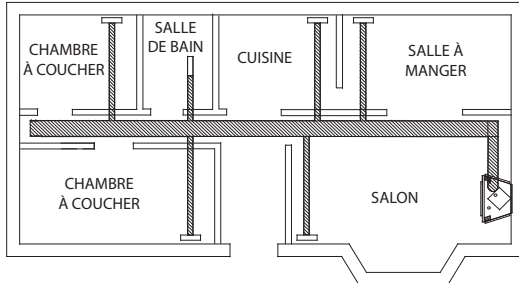


* S'il est installé avec une cheminée de maçonnerie, le système de chauffage central et l'option d'évent d'air chaud par gravité ne peuvent être installés que sur les côtés.

2.4.2 système de chauffage central (NZ62CH)

Peut être utilisé pour chauffer des pièces situées jusqu'à 50 pieds (15,2m) de l'appareil. Un thermostat mural situé dans la pièce à être chauffée contrôle la soufflerie qui fournit l'air chaud à partir de la pièce où se trouve l'appareil. Consultez un spécialiste en chauffage pour assurer un aménagement approprié des conduits dans votre maison. Si le NZ62CH est installé au bas de l'appareil, il pourrait alors créer un courant d'air frais dans la pièce où l'appareil est installé. Lorsqu'il sort sur le dessus ou sur le côté de l'appareil, il produit alors un plus grand rendement de chaleur. Cette option ne peut pas être installée dans les maisons mobiles.

EXEMPLE D'UN SYSTÈME DE CONDUITS DÉDIÉS



* S'il est installé avec une cheminée de maçonnerie, le système de chauffage central et l'option d'évent d'air chaud par gravité peuvent être installés que sur les côtés.

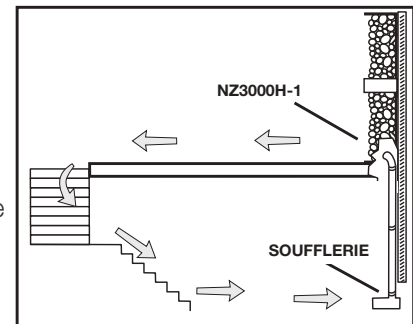
2.4.3 circulation avec la soufflerie (NZ64)

Le NZ64 constitue une façon idéale de faire circuler l'air chaud dans la pièce où il se trouve.

La soufflerie ne fonctionnera pas si les portes sont complètement fermées.

Installez la soufflerie dans une autre pièce ou même sur un étage différent de la maison. Ceci créera une plus grande circulation d'air et améliorera la distribution de la chaleur provenant de l'appareil. Vous pouvez aussi améliorer la distribution de la chaleur en été si vous utilisez le commutateur de dérivation hors saison.

Ces options peuvent être incorporées les unes aux autres. Si vous désirez installer la soufflerie optionnelle, il vous faudra prévoir une ligne de 110 volts à l'appareil lors de la construction de la charpente. Des instructions détaillées sont incluses avec chaque ensemble.



3.0 planification de l'installation

FR

! AVERTISSEMENT

- Portez des gants, chaussures et des lunettes de protection.
- Suivez attentivement les instructions pour l'assemblage de la cheminée et des autres composants nécessaires à l'installation de l'appareil. Toute omission pourrait causer un incendie, particulièrement si des matériaux combustibles sont trop près de l'appareil ou de la cheminée et que des ouvertures d'air sont bloquées, empêchant la libre circulation de l'air de refroidissement.
- N'installez pas la prise d'air extérieur dans le garage. Les produits d'échappement provenant des moteurs à essence sont dangereux. N'installez pas la prise d'air extérieur dans un grenier, un sous-sol ou au-dessus du toit où d'autres appareils de chauffage, des ventilateurs et des cheminées évacuent ou tirent de l'air. Ces mesures réduiront les possibilités de refoulement de fumée ou une inversion du débit d'air. L'entrée de la prise d'air doit demeurer dégagée de feuilles, de débris, de glave ou de neige. Elle doit être dégagée lorsque l'appareil fonctionne afin que la pièce ne soit pas privée d'air, ce qui peut causer des refoulements de fumée ou une incapacité à maintenir un feu. Les refoulements de fumée peuvent aussi déclencher les détecteurs de fumée.
- Une pression négative dans la maison pourrait nuire au rendement de l'appareil.
- Afin d'éviter tout contact avec de l'isolant qui s'affaisse, l'appareil ne doit pas être installé contre un coupe-vapeur ou de l'isolant à découvert. Une surchauffe localisée peut survenir et un incendie pourrait s'ensuivre.
- N'utilisez pas de compromis de fortune lors de l'installation. N'obstruez pas, entièrement ni partiellement, les ouvertures d'air, les grilles ou les persiennes. N'ajoutez pas de hotte.
- Pour prévenir des blessures, gardez vos outils à main en bon état, affutez les tranchants et assurez-vous que les manches sont solides. En tout temps, conservez l'espace vide minimal requis à l'enceinte afin de prévenir les incendies.
- Vérifiez avec les responsables de la construction locale pour les permis requis pour l'installation de cet appareil et notifié votre compagnie d'assurance avant de procéder.

3.1 emplacement de l'appareil

! AVERTISSEMENT

- N'installez pas dans n'importe quelle zone ayant une hauteur inférieure à 7 pieds (2,1m) (plafond de l'enceinte à l'appareil de fond, excluant l'hauteur de la cheminée).

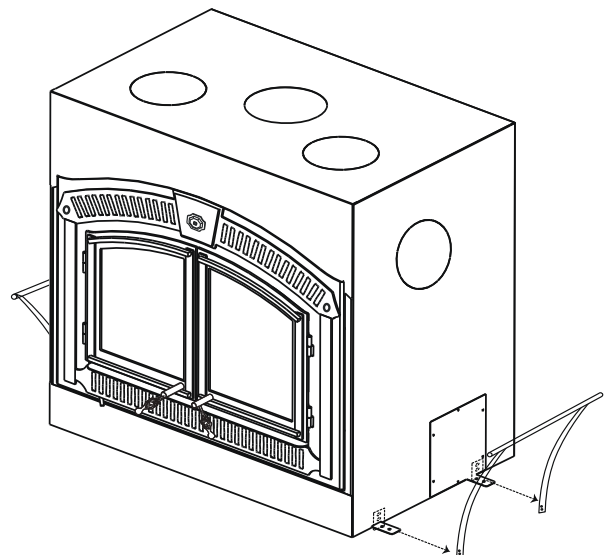
important:

Cet appareil incluant tous ses accessoires pèse 551lb (249,9kg). Assurez-vous qu'il y ait un support de plancher adéquat pour support l'appareil, la cheminée, et le matériau de façade. Certains matériaux peuvent peser des milliers de livres.

Nous vous conseillons de fixer l'appareil au plancher dans tous les cas.

Retirez et jetez les poignées de levage. Dépliez les pattes vers le bas et fixez l'appareil au plancher.

L'emplacement des fenêtres et des portes ainsi que le sens de la circulation dans la pièce où l'appareil est installé doivent être pris en considération. Si possible, vous devriez choisir un emplacement où la cheminée passera dans la maison sans que vous ayez à découper un plancher ou une solive de toit.



3.2 air comburant extérieur

Le modèle NZ3000H-1 peut tirer l'air comburant extérieur et l'acheminer directement dans l'appareil à travers une ouverture sur le côté gauche ou tirer l'air intérieur à travers la grille intérieur, enfoncez le levier de contrôle.

Si vous installez la prise d'air extérieur optionnelle (disponible chez votre détaillant autorisé), vous ne devez pas tirer l'air du grenier ni du garage. Pour l'air extérieur, tirez le levier de contrôle/ Cet air ne peut provenir que de l'extérieur de la maison. La longueur maximale du conduit de 4 pouces (101,6mm) est de 20 pieds (6m); si votre conduit doit être plus long, augmentez le diamètre du conduit à 6 pouces (152,4mm).

Décidez de l'emplacement le plus approprié pour la prise d'air et la hotte, lesquelles peuvent être installées au-dessus ou au-dessous du niveau du plancher, mais elles doivent être installées au-dessus du niveau du sol.

Faites un trou de 5" (127mm) dans le mur extérieur de la maison. De l'extérieur, placez la hotte de prise d'air dans le trou, le côté ouverte vers le bas.

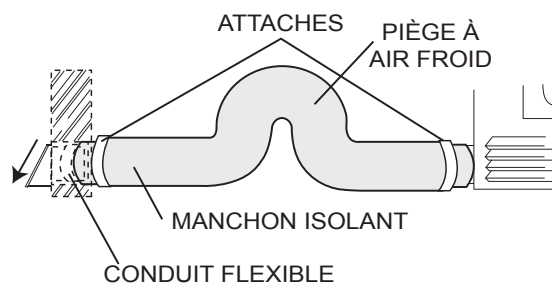
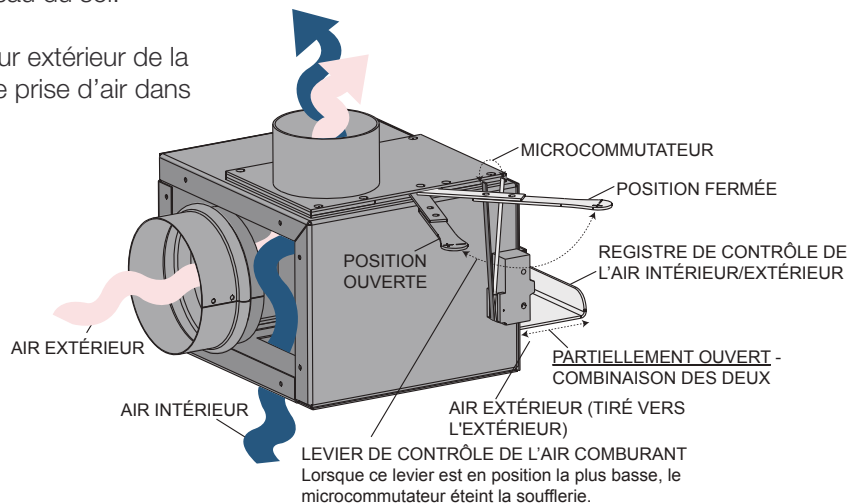
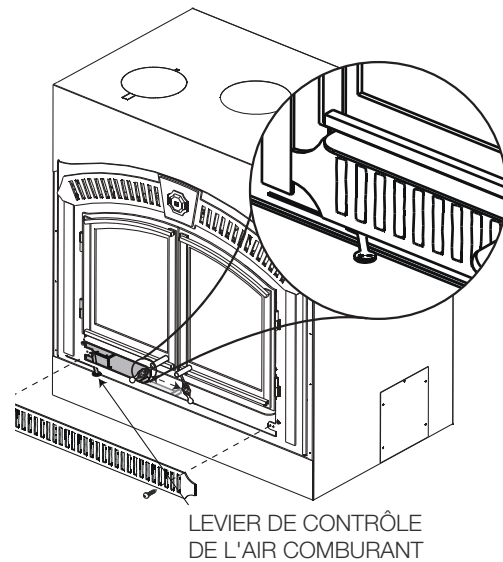
À chaque extrémité, repoussez délicatement le manchon isolant, découvrant le conduit flexible. Appliquez du scellant sur le raccord de la hotte et sur le connecteur du collet à l'appareil. Remplacez soigneusement le manchon isolant à chaque extrémité du conduit. En vous servant des attaches, fixez en place les deux extrémités du conduit isolé.

Le débit d'air froid peut être réduit en installant une boucle dans le conduit afin de créer un piège à air froid. Ce piège peut aussi aider de prévenir l'accumulation de chaleur et le retour dans la prise d'air en raison du tirage.

Si l'air de l'extérieur est amené directement à l'appareil, un registre qui permet une fermeture de 100% doit être utilisée (non fournie). L'entrée d'air doit empêcher le matériel de tomber dans l'entrée et aussi empêcher les rongeurs d'entrer de l'extérieur (un treillis avec les ouvertures pas supérieures que 1/4" par 1/4" [6,4mm x 6,4mm] est suffisant).

note:

L'appareil doit être réglé à l'air intérieur, si l'air extérieur n'est pas branché.



planification de l'installation

3.3 protection du plancher

3.3.1 pare-braises et base de protection

! AVERTISSEMENT

- Les bases de protection doivent être installées uniquement comme décrit, afin d'empêcher les matériaux combustibles dissimulés d'être exposés à des hautes températures. Les pare-braises empêchent toute particule chaude ou en combustion de tomber de façon accidentelle directement sur des surfaces combustibles, dans l'éventualité où le bâtiment bougerait et que la construction d'origine serait dérangée.

Une base de protection incombustible acceptable de 54" (137,2cm) x 20" (50,8cm) (brique, pierre ou carreaux de céramique) doit être installée.

La base de protection doit se prolonger d'un minimum de 20" (50,8cm) à l'avant de l'appareil.

La base de protection doit se prolonger d'un minimum de 12" (305mm) de chaque côté de l'appareil.

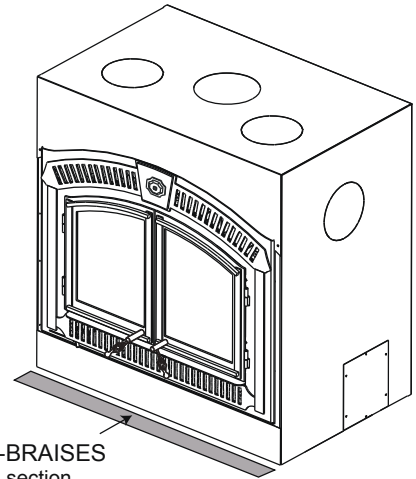
La base de protection doit se consister d'un panneau de ciment (ou l'équivalent) d'un minimum de 1" (25mm) d'épaisseur plus une tuile de céramique de 1/4" (6,4mm).

Assurez-vous que l'espace entre l'appareil et la base de protection incombustible est scellé avec un coulis de sable/ciment ou recouvert d'une pare-braises (ou les deux) afin d'éviter que des étincelles et des braises ne tombent dans cette zone.

Des bases de protection surélevées doivent être construites avec des matériaux incombustibles comme des blocs de ciment ou des briques.

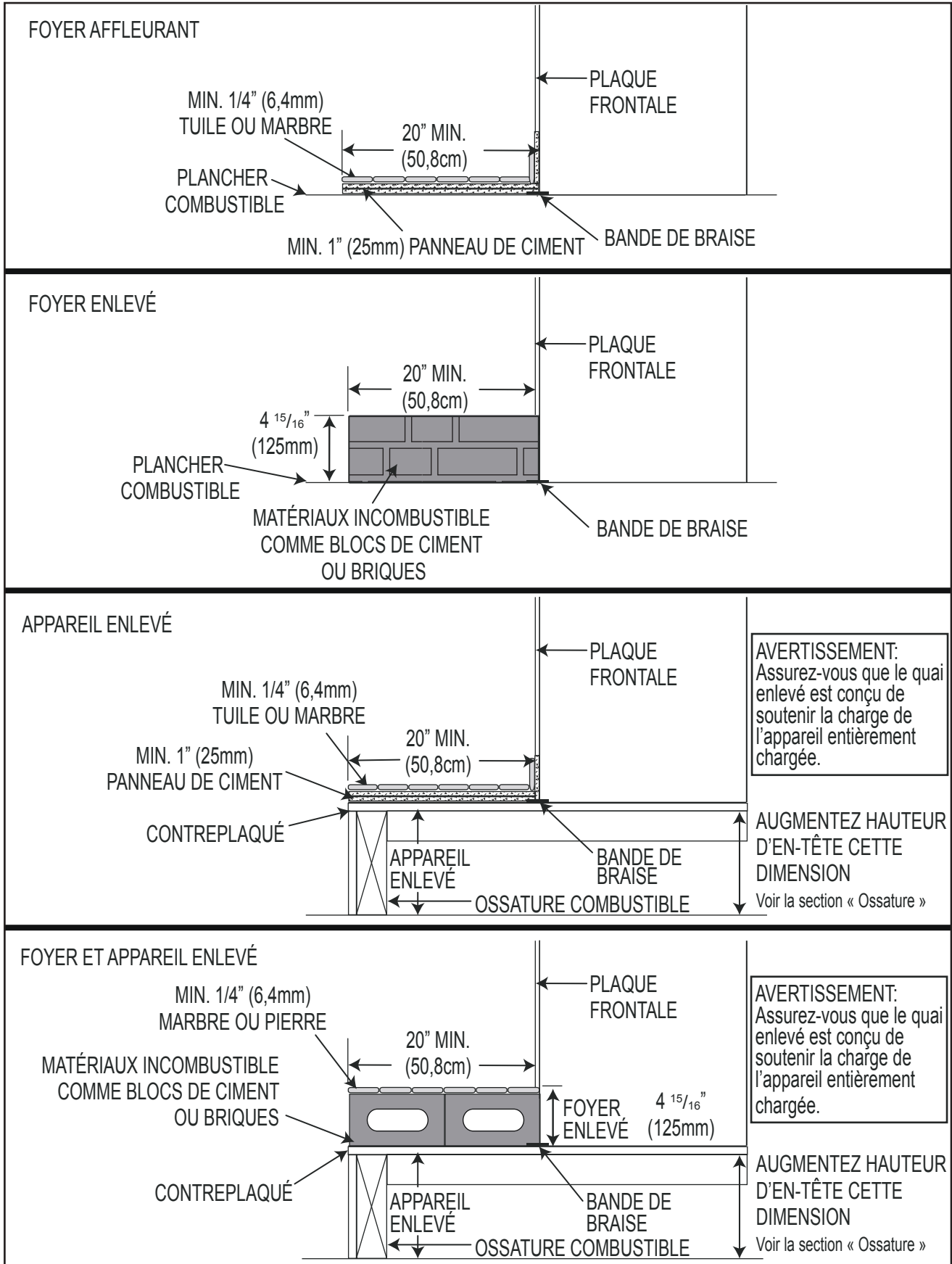
Alors que l'appareil peut être installé directement sur la plancher, une base de protection incombustible est requis à l'avant de l'appareil. Cette base ne doit pas être élevée que le bas de la façade de l'appareil. Il serait donc conseillé d'installer l'appareil sur une plate-forme.

Une base de protection surélevée conjointement avec un appareil installé sur une plate-forme sont conseillés pour faciliter le chargement du bois et avoir une meilleure visibilité du feu.



PARE-BRAISES
(Voir la section
« EXEMPLES DE BASES
DE PROTECTION »)

3.4 exemples de bases de protection



4.0 installation

FR

! AVERTISSEMENT

- Ne jamais installer un conduit de raccordement à paroi simple dans une incinte. Les températures plus élevées de ce conduit peuvent irradier suffisamment de chaleur aux matériaux combustibles pour causer un incendie.
- Pour éviter un risque d'incendie, vous devez suivre toutes les instructions à la lettre, incluant les dégagements entre le système de conduits et l'enceinte. Afin de protéger les pièces exposées aux intempéries contre la corrosion, nous conseillons que le dessus de l'enceinte soit peint avec une peinture anti-rouille.
- Conservez un dégagement minimal de 2" (51mm) à toutes les pièces du système de conduits en tout temps. Ne pas conserver ce dégagement de 2" (51mm) causera un incendie.
- Des instructions détaillées sur l'installation du dessus de l'enceinte, du collet de solin, et du chapeau sont incluses avec ces pièces.
- Des espaceurs coupe-feu doivent être utilisés lors que le système de conduits traverse un plafond/plancher.
- La cheminée doit être en bon état et ne pas être fêlée. Nettoyez la cheminée au moins deux fois par année et lorsque nécessaire.
- Toujours sceller les pénétrations avec des produits de scellement à température nominale.

4.1 cheminée

note:

Toutes les raccordements d'évacuation doivent se conformer aux instructions d'installation du fabricant de la cheminée.

Cet appareil a été testé selon les normes CAN/ULC S610 et UL 127 pour les foyers préfabriqués. Cet appareil est approuvé pour des installations à dégagement zéro aux surfaces combustibles et est certifié pour brûler du bois de chauffage uniquement.

Toutes les cheminées de 7 po (177,8mm) de diamètre homologuées aux normes CAN/ULC-S610 pour Canada ou UL 127 pour les États-Unis ou aux normes ci-après: CAN/ULC S604 et CAN/ULC-S629 pour Canada ou UL-103 ou UL-103HT pour les États-Unis peut être installé.

L'installation des différents types de système de cheminée préfabriquée devra se conformer aux instructions d'installation du fabricant de la cheminée. Pour amorcer l'installation, une plaque d'ancrage et un joint d'étanchéité à haute température fourni pour sceller l'espace entre la plaque d'ancrage et le dessus de l'appareil.

Pour obtenir les instructions d'installation complètes de la cheminée, référez-vous aux instructions fournies avec le système de cheminée.

Une cheminée servant d'évacuation à l'appareil ne doit pas servir pour aucun autre appareil. L'hauteur minimale de la cheminée à partir du dessus de l'appareil est de 15pi (4,6m). L'hauteur maximale de la cheminée à partir du dessus de l'appareil est de 34pi (10,4m).

Les systèmes de cheminée préfabriqués conçus pour des résidences de trois familles ou plus doivent être enchâssés au-dessus de la pièce où se trouve l'appareil. Cet enceinte doit avoir un indice de résistance au feu égal ou supérieur à celui du plancher ou du toit qu'il traverse.

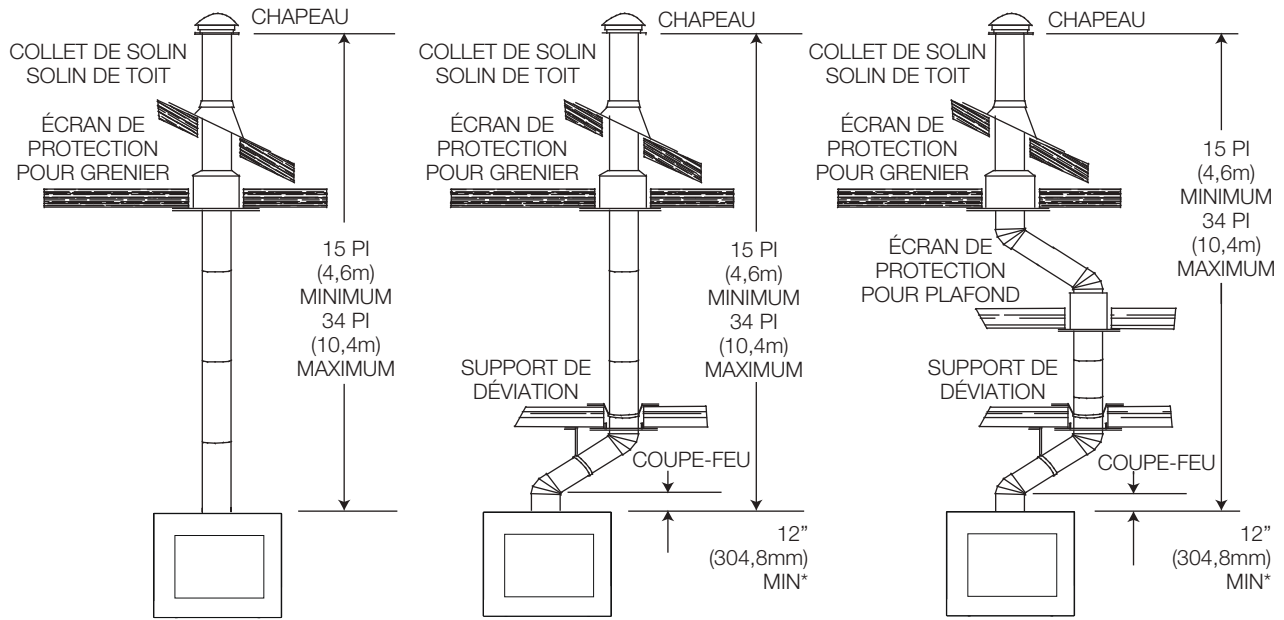
La cheminée ne devrait pas être construite avec un angle de déviation excédant 45° au Canada et 30° aux États-Unis. Assurez-vous que les dégagements minimaux sont conservés.

Les parties de la cheminée qui franchissent des espaces accessibles devront toujours être enchâssés afin d'éviter tout contact personnel et par conséquent éviter d'endommager la cheminée.

La cheminée doit être supportée à des intervalles de 20pi (6,1m) maximum. Chaque 20pi (6,1m) de cheminée peut peser jusqu'à environ 200lb (90,7kg).



4.2 installation typique de la cheminée



CHEMINÉE DROITE

CHEMINÉE À UNE DÉVIATION

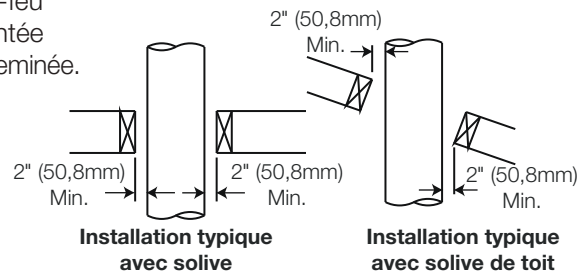
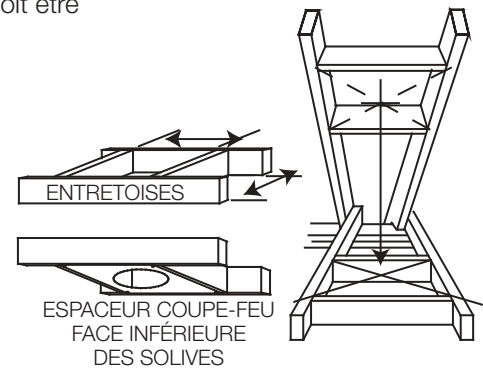
CHEMINÉE À DEUX DÉVIATIONS

* La première déviation du conduit, plus proche du haut de l'appareil doit être à une distance minimale de 12" (304,8mm) du dessus de l'appareil.

- Mettez l'appareil en place. Essayez de positionner la buse de l'appareil à mi-chemin entre deux solives pour ne pas être obligé de les couper. Utilisez du fil à plomb pour aligner le centre de la buse.
- Découpez et charpentez une ouverture dans le plafond afin de maintenir un dégagement minimal de 2" (50,8mm) entre l'extérieur de la cheminée et les matériaux combustibles. **NE REMPLISSEZ CET ESPACE AVEC AUCUN TYPE DE MATÉRIAU!** Fixez des entretoises entre les solives pour assurer un support additionnel. Des espaceurs coupe-feu doivent être fixés au bas de chaque ouverture charpentée dans un plancher ou un plafond par lequel traverse la cheminée.
- Tenez un fil à plomb à partir du dessous du toit pour déterminer où doit se trouver l'ouverture du toit. Découpez et charpentez une ouverture dans le toit tout en conservant le dégagement de 2" (50,8mm).

note:

Des coudes de 30° ou 45° peuvent être installés bout à bout.

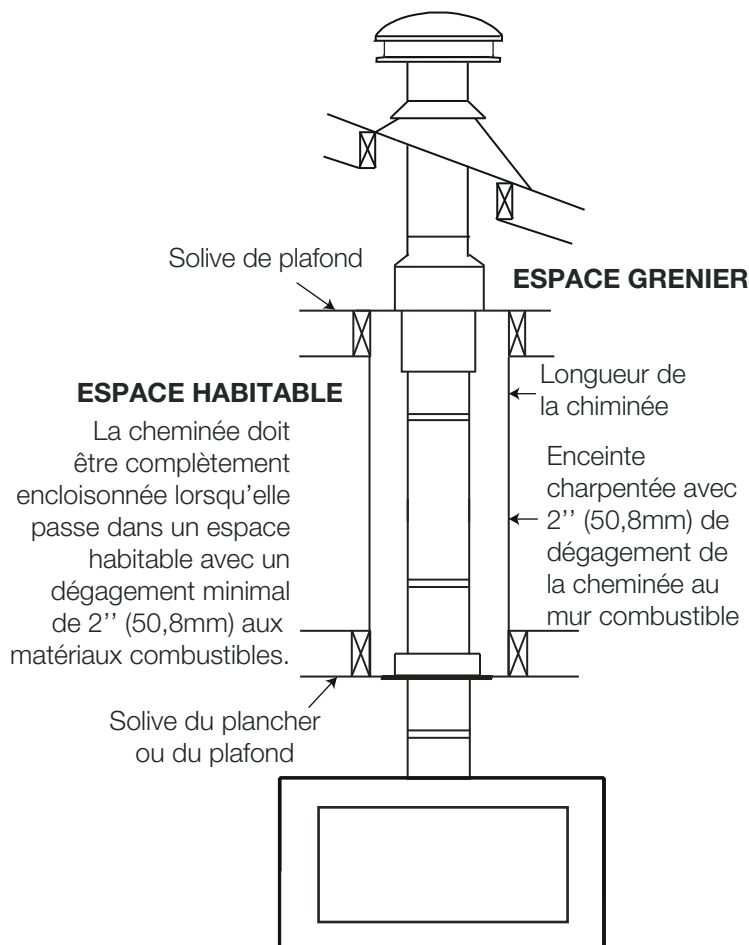
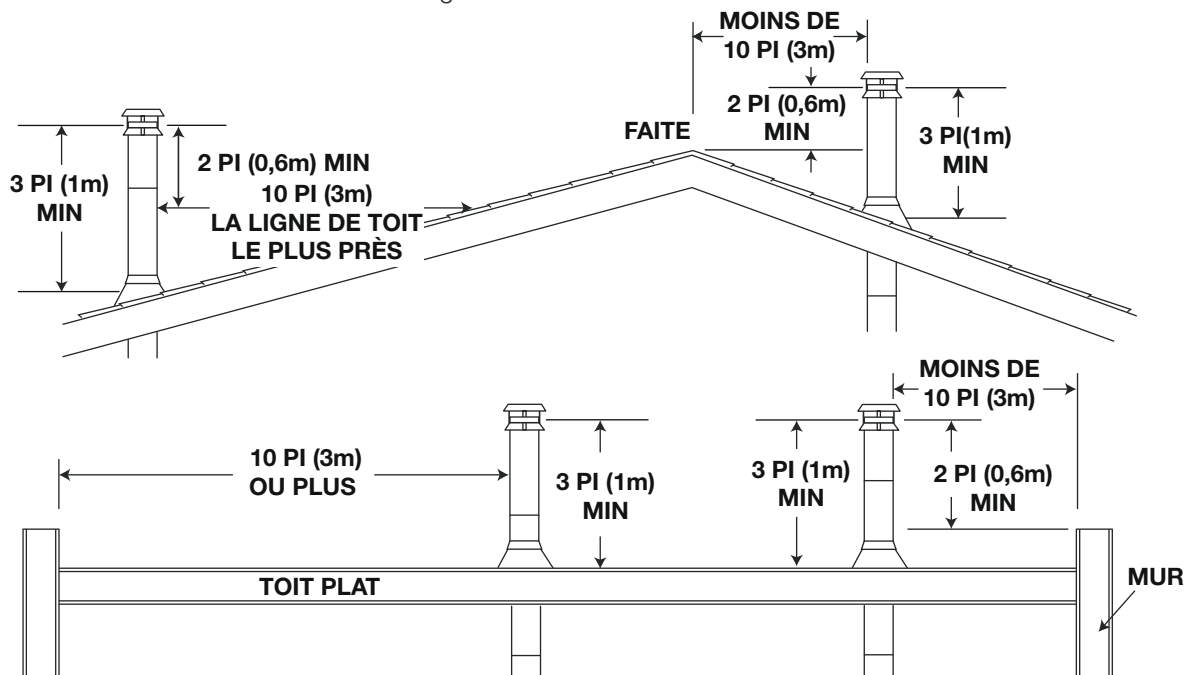


installation

FR

4.3 ajout de sections de cheminée

Ajoutez des sections de cheminée, selon les instructions d'installation du fabricant. Si la cheminée devra dépasser par l'espace grenier un écran protecteur de chevrons ou une bouclier d'isolation du grenier est requis. La cheminée doit dépasser le toit d'au moins 3' (0,9m) de son point de contact avec la toiture, et 2' (0,6m) de tout mur, toit ou édifice se trouvant à l'intérieur d'une distance horizontale de 10' (3,1m). Si la cheminée dépasse le toit de plus de 5' (1,5m), elle devra être fixée au toit avec un support de toit ou des brides de sécurité. Un chapeau de cheminée devra être installé afin d'éviter des dommages internes et la corrosion.



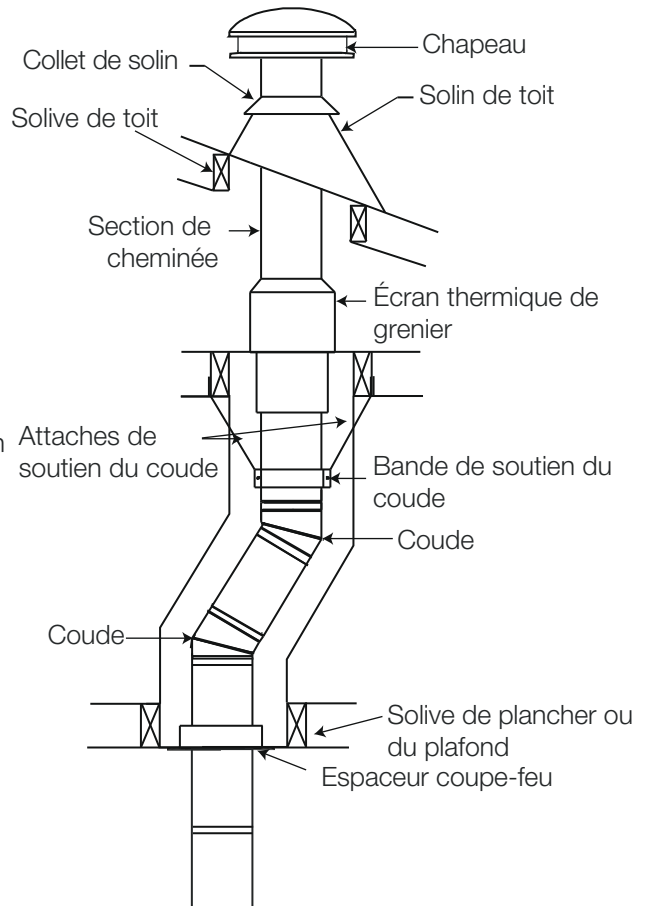
4.4 installation de la cheminée avec déviation

! AVERTISSEMENT

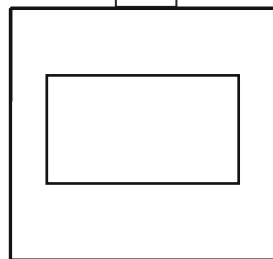
- Les conduits de raccordement installés entre une déviation et un coude de retour requièrent un support afin de réduire la charge excentrée et prévenir toute séparation entre les sections de conduit aux joints.
- La cheminée ne devrait pas être construite avec un angle de déviation excédant 45° au Canada et 30° aux États-Unis. Ne combinez pas de coudes de manière à excéder ces angles.

La première déviation du conduit la plus proche au dessus de l'appareil doit être à une distance minimale de 12" (30.5cm) du dessus de l'appareil.

Fixez un coude à la section de cheminée dans la direction de la déviation. Fixez selon les instructions du fabricant de la cheminée. Les sections de cheminée doivent être adéquatement fixer un à l'autre pour assurez qu'elles ne se séparent pas. Pour une déviation minimale, fixez un coude de retour au premier. Pour obtenir des déviations plus longues, vous pouvez installer n'importe qu'elle longueur du tuyau disponible entre les coudes. Des supports doivent être utilisés sur la première section verticale de cheminée après un coude de retour.



Si la longueur de la déviation est supérieure à 36" (91,4cm), un support intermédiaire doit être utilisé. Pour obtenir des déviations plus longues, vous pouvez installer n'importe quel longueur de tuyau disponible entre les coudes. Le support intermédiaire doit être utilisé conjointement avec le support de déviation.

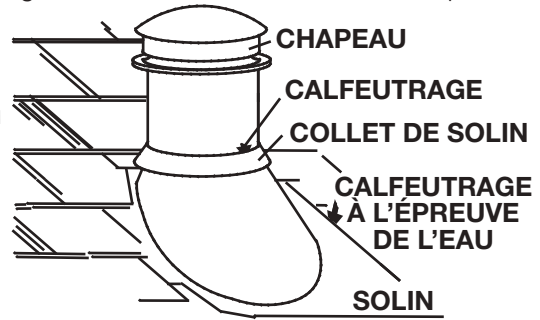


installation

FR

4.5 installation du solin et du collet de solin

Les instructions d'installation suivantes sont générales pour l'installation du solin autour de la cheminée. L'installation de tous les types de systèmes construits en usine doivent être installés en conformité avec les instructions d'installation du fabricant de la cheminée. Enlevez les clous des bardeaux sur le dessus et les côtés de la cheminée. Placez le solin par-dessus le tuyau d'évacuation et glissez-le sous les côtés et le bord supérieur des bardeaux. Assurez-vous que le tuyau est bien centré dans le solin en laissant une marge de 3/4" (19,1mm) tout autour. Fixez-le au toit sur le dessus et les côtés. **NE CLOUEZ PAS** à travers la partie inférieure du solin. Imperméabilisez-le en le scellant avec du calfeutrage. Si possible, recouvrez les côtés et les bords supérieurs du solin avec des matériaux de couvertures. Appliquez un joint de calfeutrage à l'épreuve de l'eau autour de l'évacuation à 1" (25,4mm) au-dessus du haut du solin et glissez le collet de solin jusqu'à la ligne de calfeutrage. Fixez un chapeau vertical au sommet de la dernière section de l'évacuation.

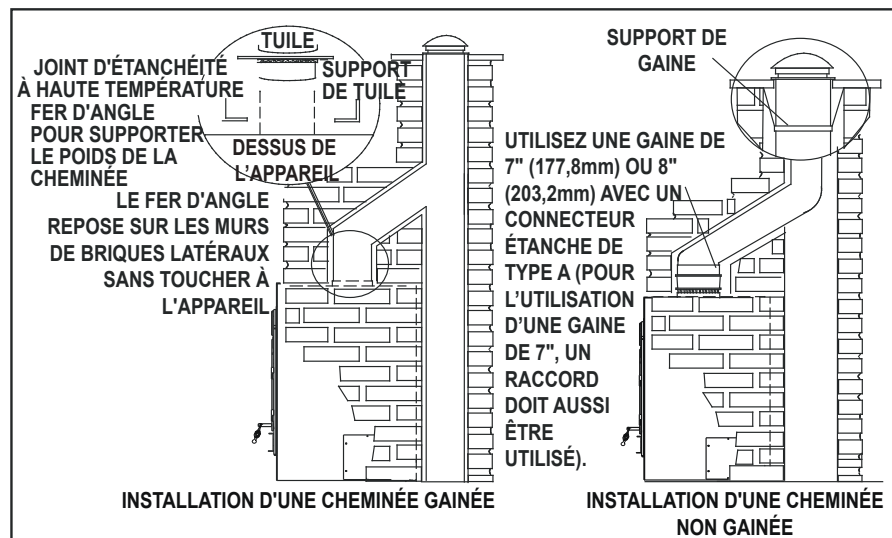


4.6 raccordement à une cheminée de maçonnerie

L'appareil peut être raccordé aussi bien à une cheminée en maçonnerie doublée qu'à une cheminée en maçonnerie non doublée.

SI LA CHEMINÉE EST DOUBLÉE:

Les tuiles doivent être d'argile vitrifiée et mesurer 8" (203,2mm) x 8" (203,2mm), 8" (203,2mm) x 12" (305mm), ou 8" (203,2mm) x 12" (305mm) de diamètre avec une hauteur minimale de 15pi (4,6m) au-dessus de l'appareil. Les tuiles rondes de 8" (203,2mm) de diamètre sont recommandées.



L'installation doit se conformer aux exigences des normes nationales et locales.

SI LA CHEMINÉE N'EST PAS DOUBLÉE:

Une gaine en acier inoxydable homologuée soit aux normes ULC-S640M en Canada ou UL-1777 aux États-Unis doit être utilisée. Les gaines pour nouvelles cheminées en maçonnerie peuvent être utilisées pour raccorder l'appareil à la cheminée et être installées uniquement selon les instructions du fabricant.

Dans les deux cas, la structure de la cheminée doit être supportée par un fer d'angle ancré aux murs de maçonnerie, il est essentiel d'utiliser des briques de 3 1/2" (88,9mm), solidement cimentées et entourant complètement le conduit de la cheminée. Assurez-vous qu'il n'y a pas de fuites.

En aucun cas, l'enceinte en maçonnerie ne devra être supportée par l'appareil. Laissez un espace vide de 1" (25,4mm) pour l'expansion. Utilisez le support de tuile; consultez votre détaillant local autorisé.



Joint d'étanchéité à haute température

Dessus de l'appareil

Pour une cheminée en maçonnerie, utilisez un support de tuile. Pour une cheminée préfabriquée, utilisez une plaque d'ancrage.

note:

Le support de tuile doit être suspendu aux linteaux appropriés.

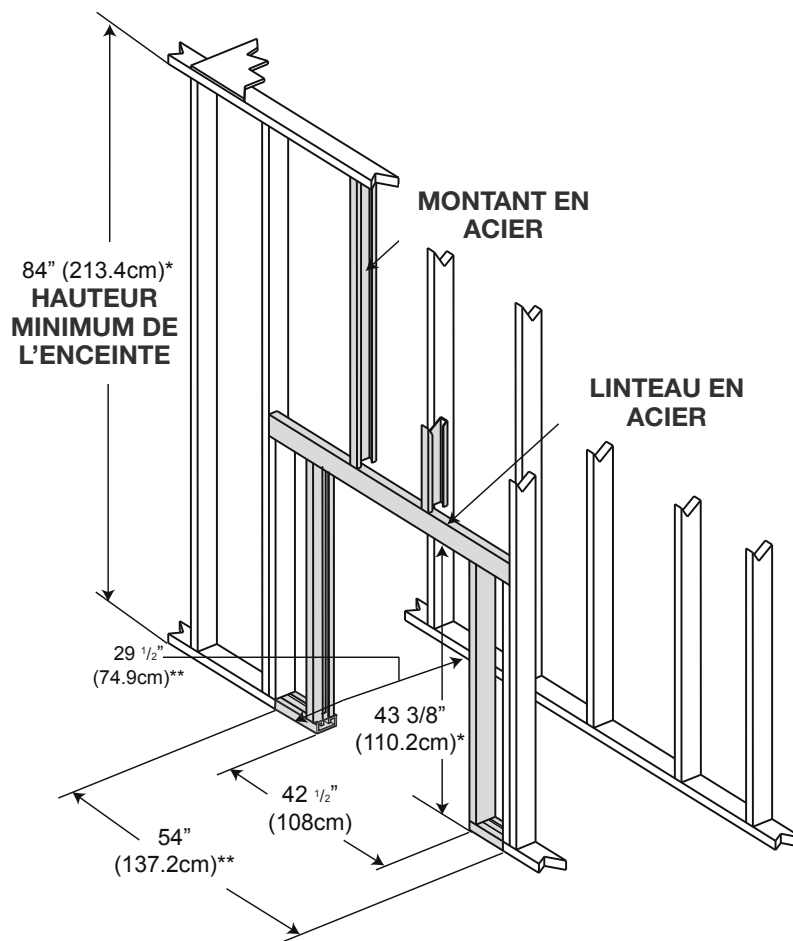
! AVERTISSEMENT

- Afin d'éviter la possibilité que l'isolant ou un coupe-vapeur n'entrent en contact avec l'extérieur du caisson, il est conseillé d'installer l'appareil contre des murs finis (c.à.d. panneau de gypse), comme tout autre mur de la maison. Ceci assurera que le dégagement aux matériaux combustibles est maintenu.
- Un minimum de 6po (152mm) aux matériaux combustibles est requis des côtés de l'appareil (voir la section « dégagement minimaux aux matériaux combustibles »).
- Lors de la construction de l'enceinte, prenez en compte l'épaisseur des matériaux de finition pour maintenir les dégagements. Si l'ossature ou les matériaux de finition se trouvent à une distance inférieure à celle indiquée, ils doivent être faits entièrement de matériaux combustibles. Les matériaux faits entièrement d'acier, de fer, de briques, de tuiles, de béton, d'ardoise, de verre ou de plâtre, ou d'une combinaison de ces matériaux sont appropriés. Les matériaux répondant à la norme ASTM E 136, Méthode de Test Standard du comportement des matériaux dans une fournaise avec tube vertical à 750°C (1382°F) et la norme UL763 sont considérés comme étant des matériaux combustibles.
- Ne pas construire des étagères ou des armoires dans la zone située au-dessus de l'appareil.
- Les objets placés devant l'appareil doivent être placés à un minimum de 48" (121,9cm) loin de la face avant de l'appareil.
- Avant l'ossature, voir la section « installation du moniteur de température du catalyseur ».

5.1 dégagements minimaux de combustibles

note:

Utilisez des montants en acier où incombustible faisant face est nécessaire.

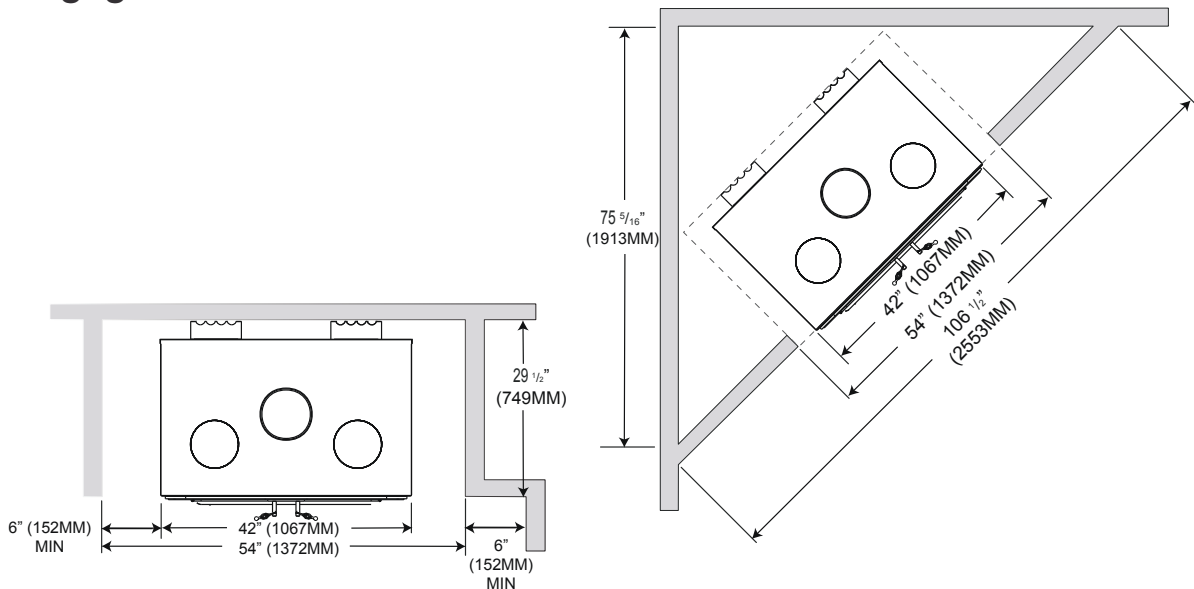


* Prévoyez l'épaisseur du plancher fini et de la base de protection lorsque vous déterminez ces dimensions.

** Lors de la construction de l'enceinte, prenez en compte l'épaisseur des matériaux de finition pour maintenir les dégagements.

† Voir les exigences d'évacuation pour l'hauteur minimum.

5.2 dégagements minimaux aux enceintes combustibles



Un minimum de 6" (152mm) aux matériaux combustibles est requis à partir des côtés de l'appareil.

note:

Lors de la construction de l'enceinte, prenez un compte l'épaisseur des matériaux de finition pour maintenir les dégagements.

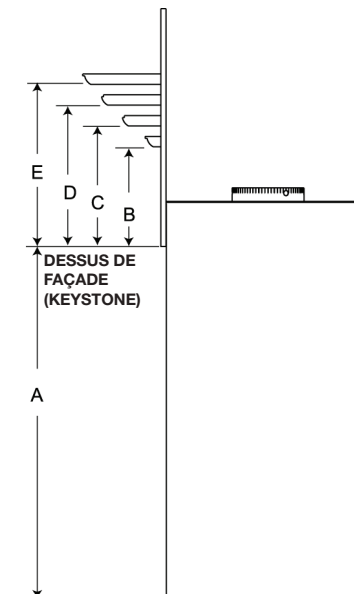
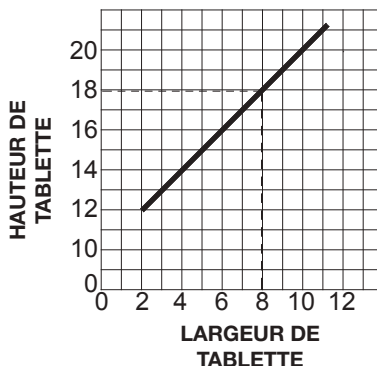
5.3 dégagements minimaux de la tablette

! AVERTISSEMENT

- Risque d'incendie. Conservez tous les dégagements aux matériaux combustibles spécifiés. Ne pas respecter ces instructins peut causer un incendie ou une surchauffe. Assurez-vous que tous les dégagements (arrière, côtés, dessus, événements, tablette, façade, etc) sont respectés à la lettre.
- Lorsque vous utilisez de la peinture ou du vernis comme finition pour votre tablette, assurez-vous qu'ils soient résistants à la chaleur afin de prévenir la décoloration.
- La façade de la tablette décorative ou les matériaux de finition ne doivent pas nuire aux ouvertures d'air, aux persiennes, au fonctionnement des persiennes, aux portes ou à l'accès pour l'entretien.

Une tablette combustible optionnelle doit se situer à un minimum de 12" (30,5cm) au-dessus de la partie supérieure de la façade et se prolonger d'un maximum de 2" (51mm) vers l'avant. Pour plus de détails, voir la tableau ci-dessous.

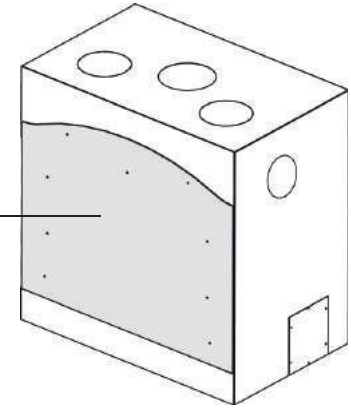
DIMENSIONS DE LA TABLETTE		
Réf.	Hauteur	Profondeur
A	37 3/16" (945mm)	
B	12" (305mm)	2" (51mm)
C	14" (356mm)	4" (102mm)
D	16" (406mm)	6" (152mm)
E	18" (457mm)	8" (203mm)



! AVERTISSEMENT

- **Des prises d'air de ventilation sont requises sur les enceintes allant jusqu'à 96" (244cm).** Il est conseillé d'en installer sur toutes les enceintes au-dessus de 84" (213,4cm), il est possible de mettre des matériaux de finition combustibles sur la surface avant.
- Utilisez uniquement un matériau incombustible pour la finition de la surface avant de l'appareil. Un matériau incombustible, comme un panneau de ciment, est requis pour ce faire.
- Ne mettez pas d'isolant autour de l'appareil.

L'appareil est expédié avec un gabarit qui est 1/8" (3,2mm) plus large que le dessus, le dessous et les côtés de la façade de l'appareil. Laissez le gabarit en place lors de l'installation des matériaux de finition.



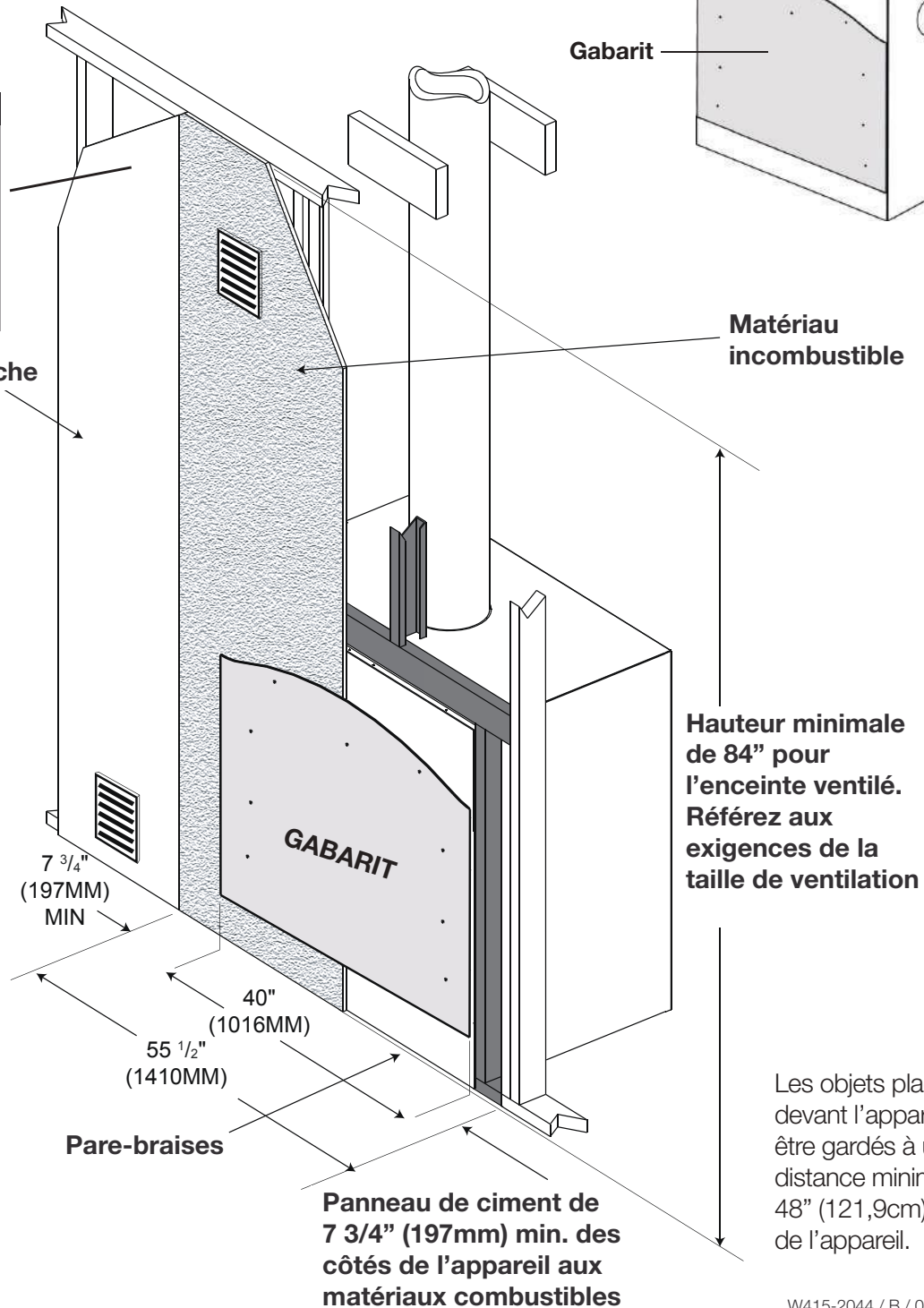
Gabarit

Matériau incombustible

note:

Une enceinte ventilée est recommandé. Référez la section « ventilation de l'enceinte ».

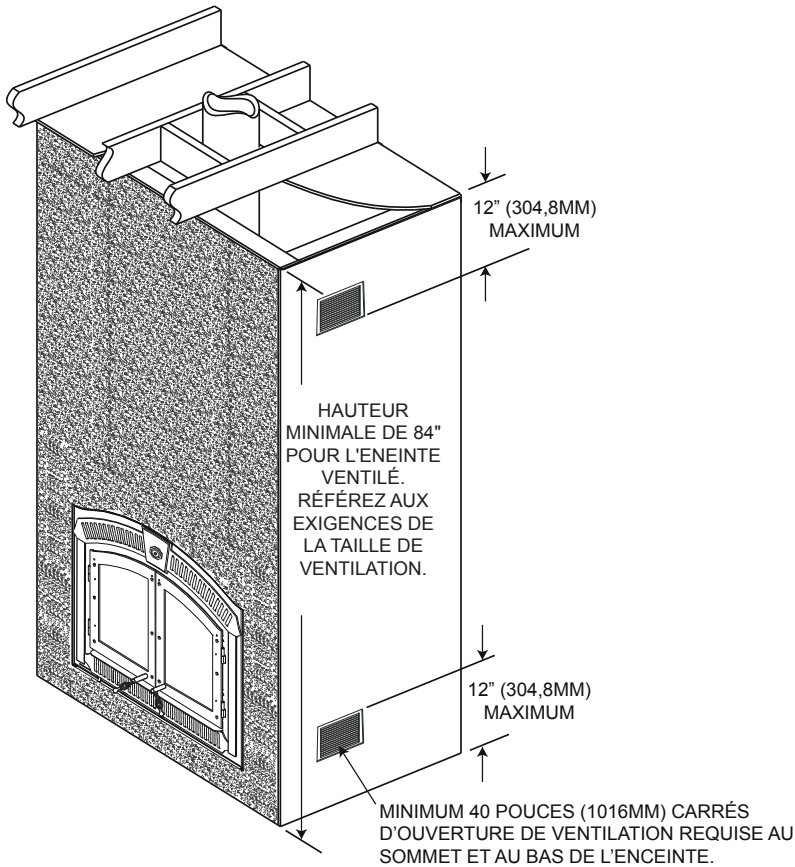
Cloison sèche



finitions

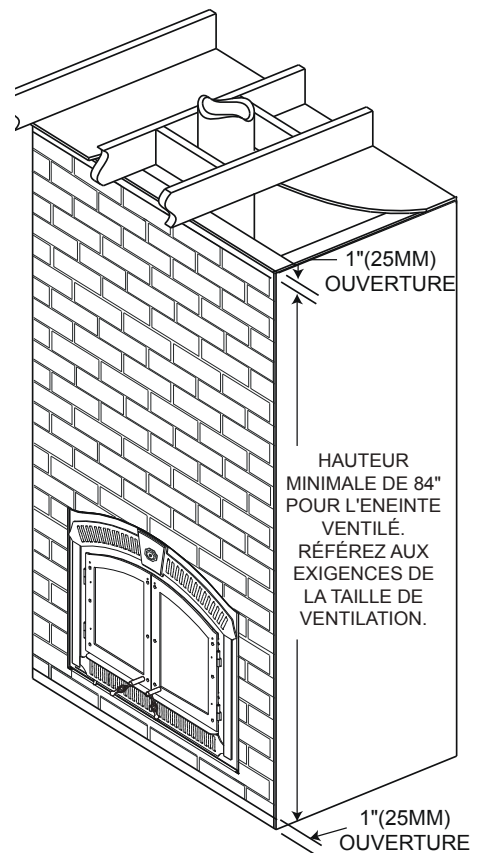
FR

6.1 ventilation de l'enceinte



note:

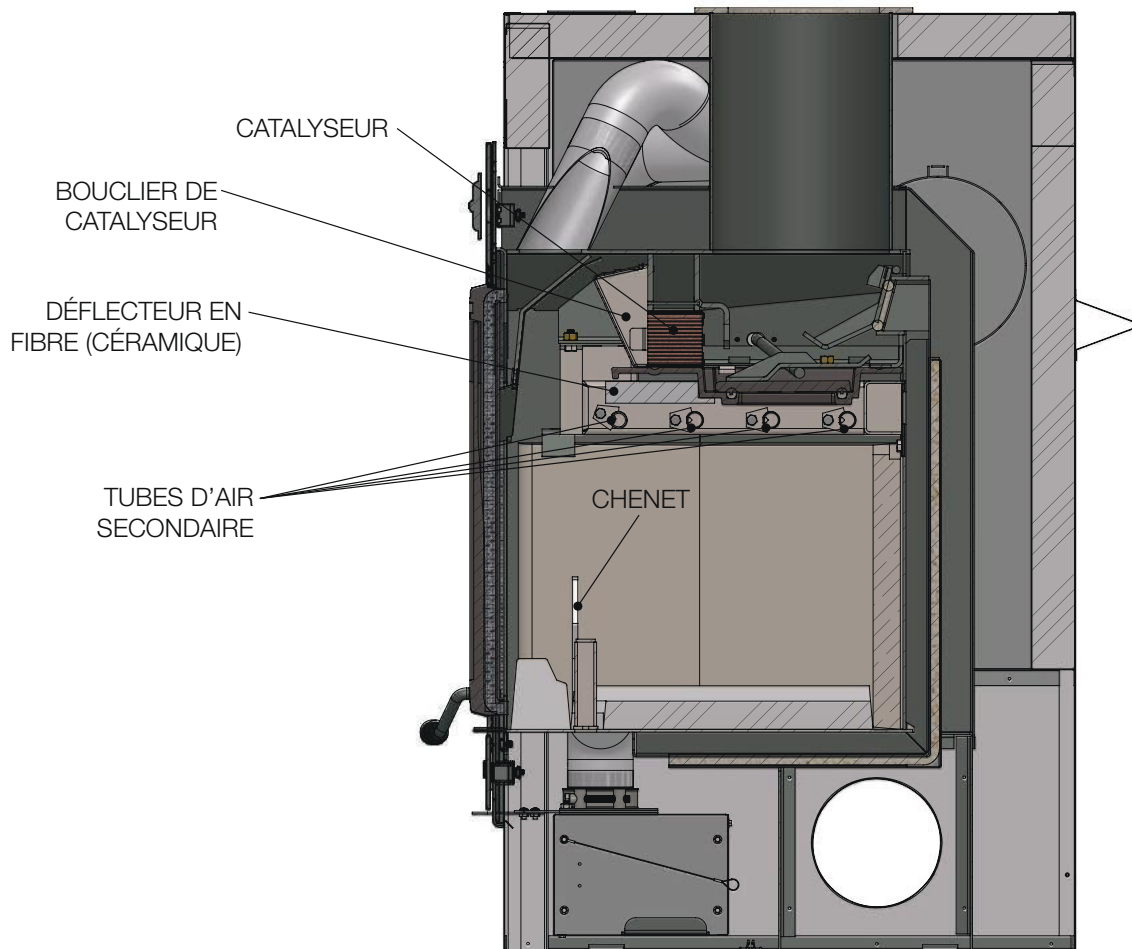
Plutôt que d'utiliser des grilles, il est possible de pratiquer, au-dessus et au bas de l'appareil, une large fente de 1" x 40" (25mm x 1016mm) dans les matériaux de finition, quel qu'il soit, afin de permettre une circulation d'air autour de l'appareil avec prise au niveau du plancher et sortie au-dessus de l'appareil.



6.2 installation du déflecteur

! AVERTISSEMENT

- L'opération de l'appareil sans les déflecteurs peut causer des températures excessives qui peuvent endommager l'appareil, la cheminée, et l'enceinte.
- Pendant l'expédition, la catalyseur peut être déplacé de son emplacement approprié. Antérieur à brûlure, assurez que la catalyseur est correctement installé. Voir la section « catalyseur inspection et remplacement ».



Le NZ3000H-1 comporte un déflecteur en fibre de céramique, un catalyseur et un bouclier de la catalyseur. Il est important d'installer correctement chacun de ces composants avant d'utiliser l'appareil.

Pour installer le déflecteur en fibre de céramique, insérez-le dans l'appareil par l'avant et déposez-le sur les conduites d'air secondaires en le poussant le plus loin possible et en vous assurant de sa bonne orientation, comme illustrée.

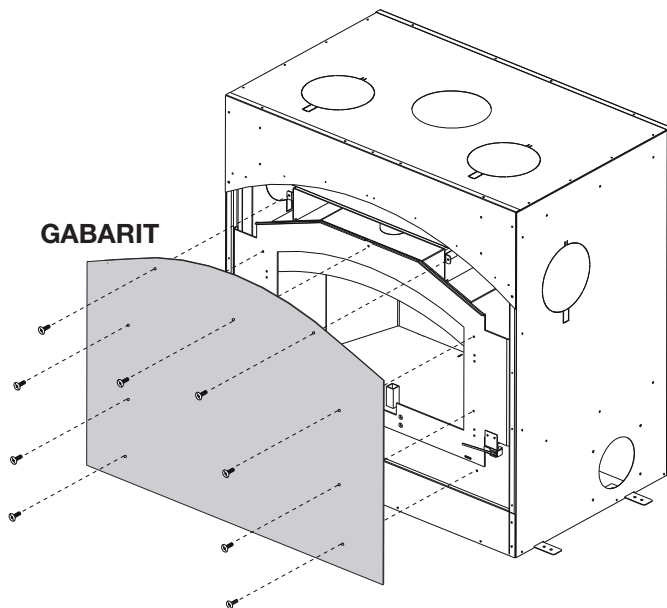
Pour installer le catalyseur, reportez-vous à la section du présent manuel portant sur le remplacement et l'inspection du catalyseur.

finitions

FR

6.3 installation de la façade

6.3.1 enlèvement du gabarit



Retirez les vis et le gabarit. Ne jetez pas le gabarit qu'après avoir installé tous les matériaux de la façade. Conservez les vis pour installer le panneau de façade.

6.3.2 installation de la façade, de la charnière, du pare-cendres, et du levier du contrôle de combustion

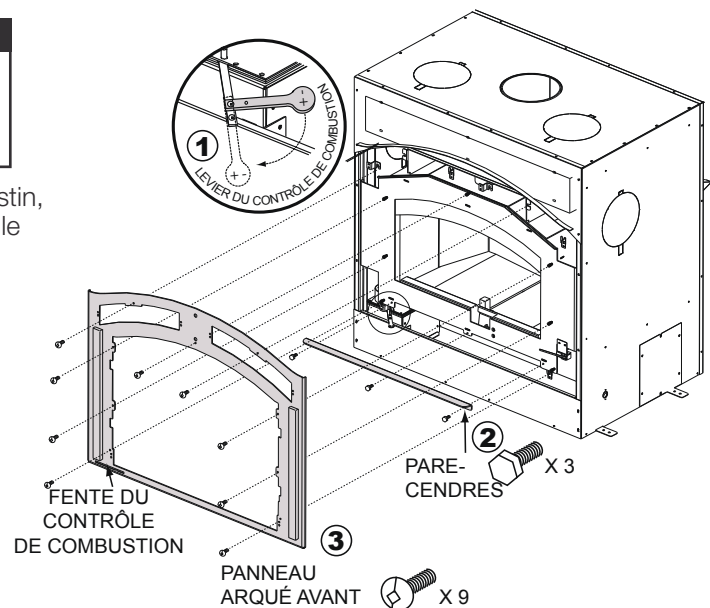
⚠ AVERTISSEMENT

- Avant d'installation, assurez que le conde du catalyseur est installé. Voir la section « installation du moniteur de température du catalyseur ».

note:

La façade FPWI3-H est expédiée avec les grilles supérieures et inférieures assemblées. Retirez les deux grilles avant de poursuivre l'installation.

- A. Pour assembler le levier du contrôle de combustin, vous devez retirer la deuxième vis, faite pivoter le levier pour l'aligner, et réinstallez les vis.
- B. Installez le pare-cendres.



6.3.3 installation de la porte

Porte Gauche

1. Installez la poignée de la porte à travers l'assemblage de la porte gauche. Fixez à l'aide de la rondelle de blocage et l'écrou fournis.

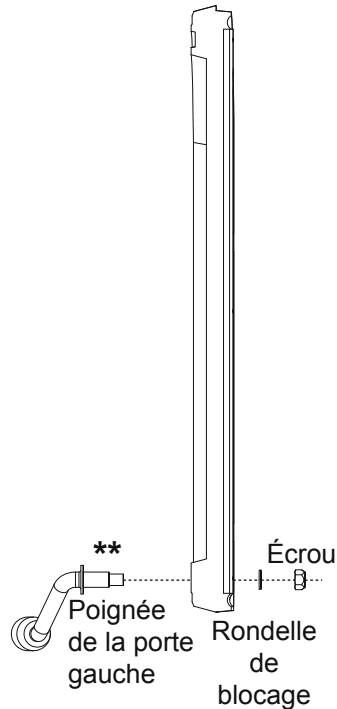
** L'angle définit de la poignée de la porte gauche devrait être à l'inverse de la poignée de la porte droite lorsqu'elles sont en position fermées. Serrez l'écrou pour fixer la poignée à l'angle voulu.

Porte Droite

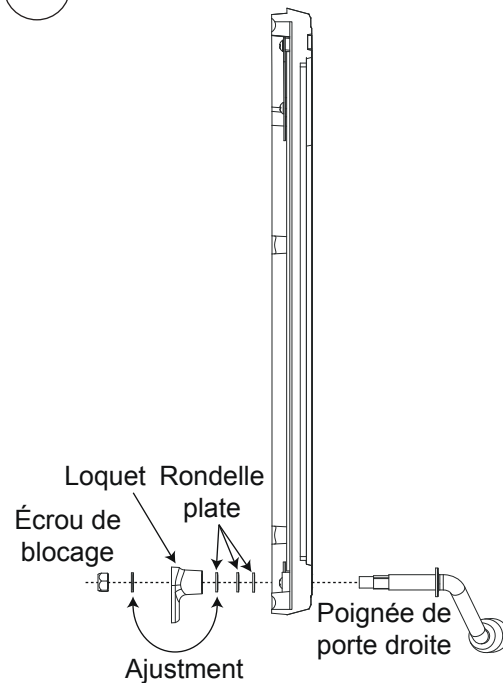
2. Installez la poignée de la porte droite à travers l'assemblage de la porte droite. Installez les trois rondelles plates et le loquet de porte comme illustré. Fixez à l'aide de l'écrou de blocage fourni. **Ne serrez pas trop fort. La poignée doit tourner librement.**

Le loquet de porte peut nécessiter un ajustement, déplacez une ou plusieurs rondelles comme illustré.

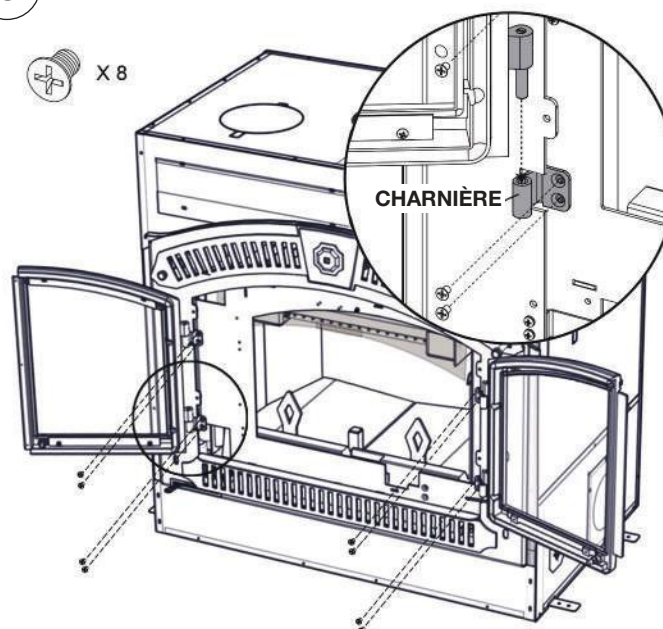
1 Assemblage de la porte gauche



2 Assemblage de la porte droite



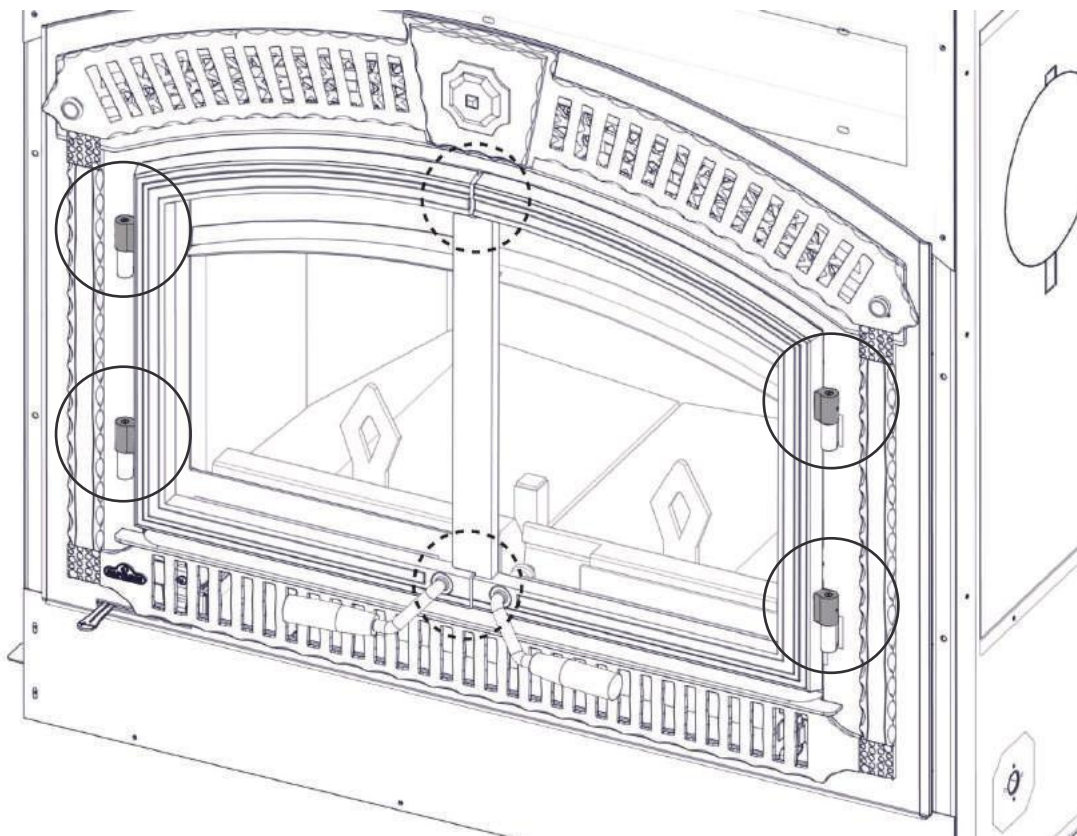
3



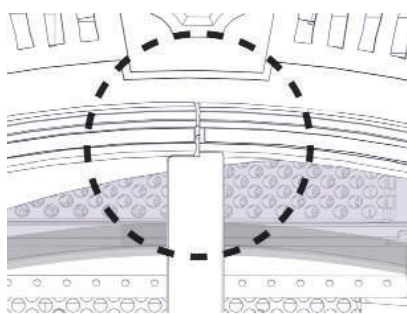
6.3.4 réglage de l'écart de la porte

L'écart de la porte NZ3000H-1 (voir l'illustration ci-dessous) peut être définie en ajustant les charnières de chaque porte (x4). Chaque charnière contient un vis de réglage située sur le côté de la charnière. Desserrez la vis de réglage et tournez l'axe de charnière fendue pour créer un espace de même. Chaque articulation est réglable indépendamment.

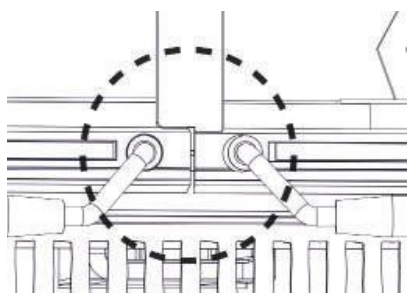
Charnière X 4



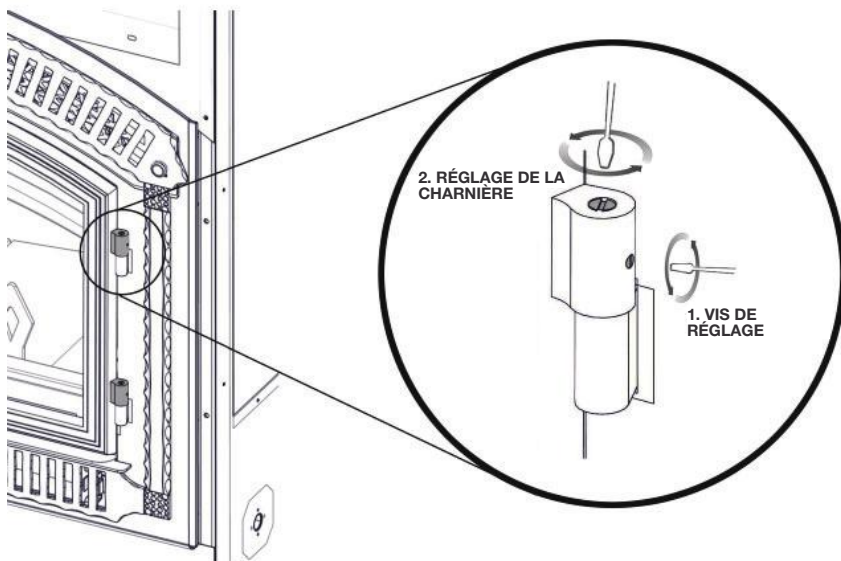
Location de l'écart de la porte et la charnière



Écart Supérieure



Écart Inférieure



6.3.5 installation du moniteur de température du catalyseur

! AVERTISSEMENT

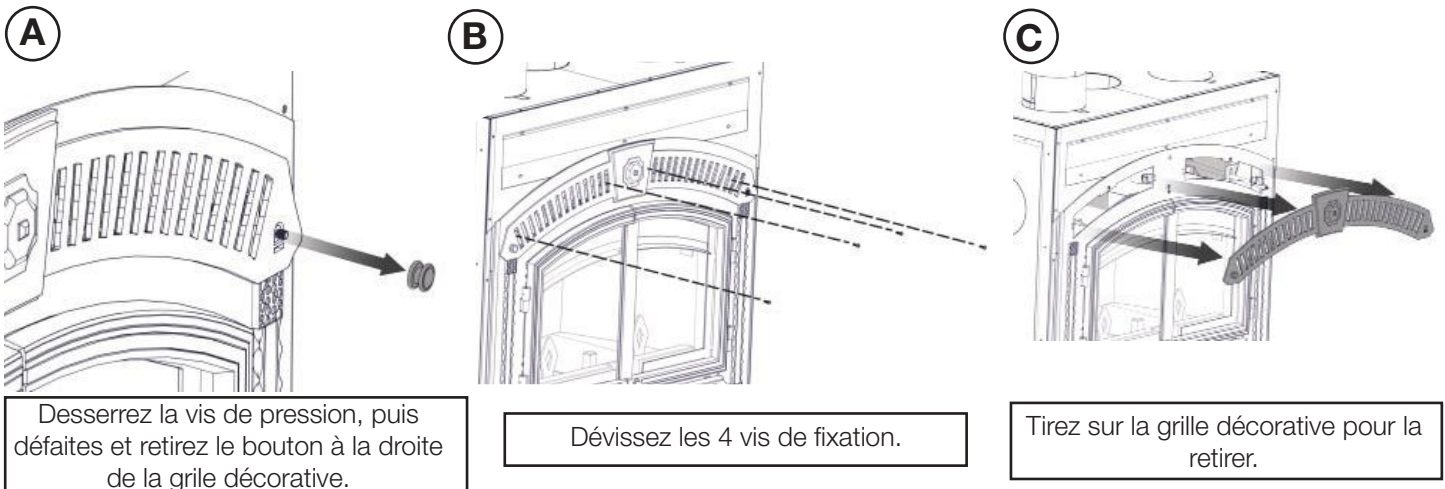
- Il est important d'installer le moniteur de température du catalyseur avant de finaliser l'encadrement.

Avant d'installer le moniteur de température du catalyseur nouveau, déterminez comment le moniteur de température du catalyseur existant est monté. Les options d'installation sont:

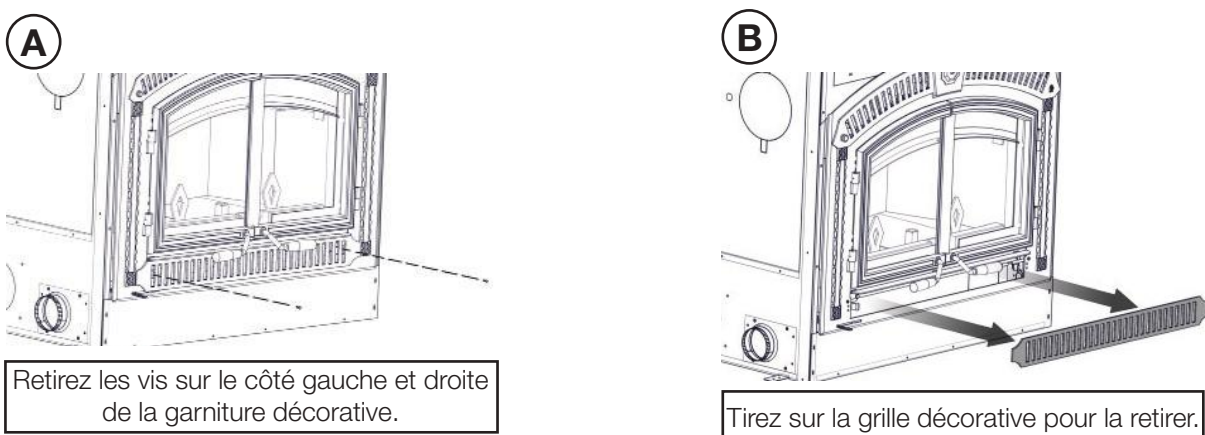
1. Monté au mur
2. Monté au foyer

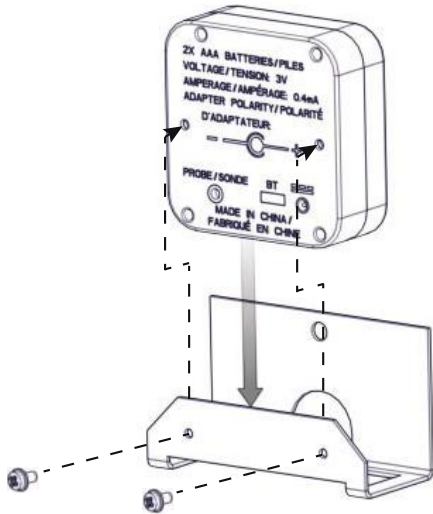
Si le foyer est monté, retirez les garnitures supérieures et inférieures de l'appareil. Si le foyer est monté au mur, retirez la garniture inférieure seulement.

Enlèvement de la Garniture Supérieure



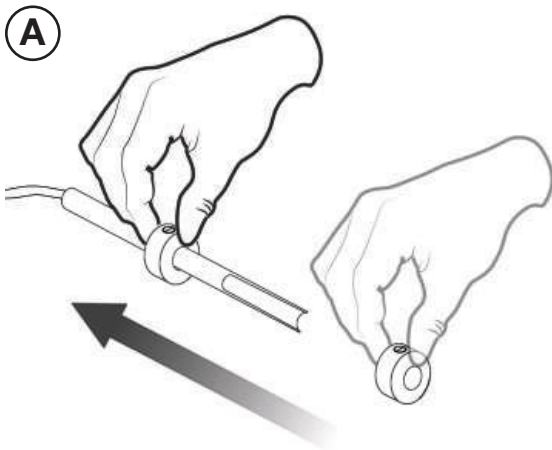
Enlèvement de la Garniture Inférieure



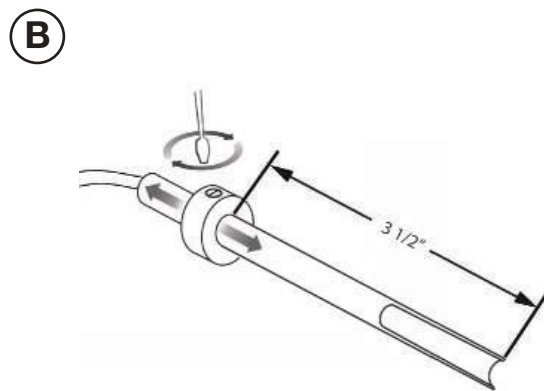


Fixez le nouveau moniteur de température du catalyseur au support nouveau (fourni) à l'aide d'un vis (fourni).

Réglage de la Profondeur de la Sonde

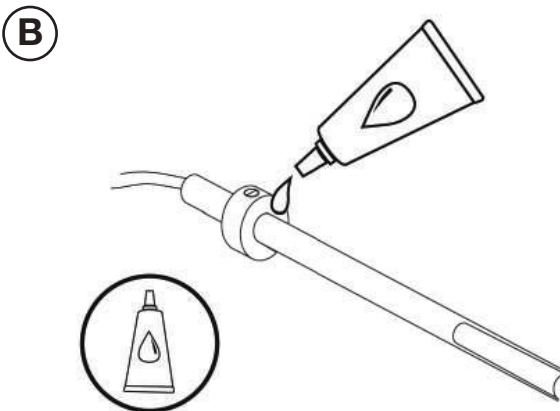
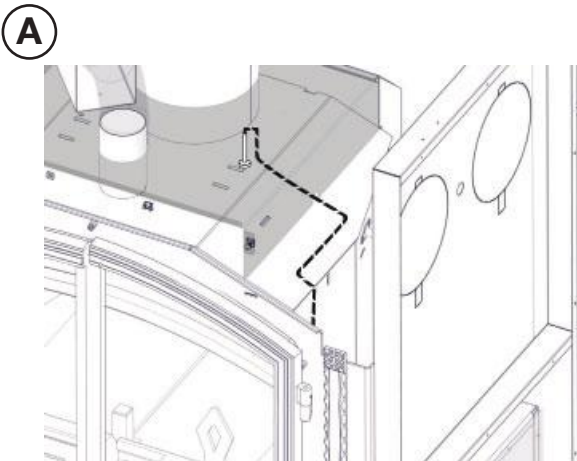


Glissez le collet sur la sonde.

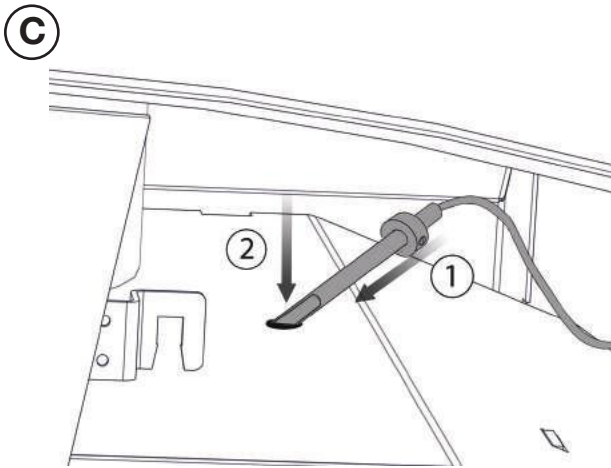


Réglez la profondeur à 3,5" et fixez-le avec la vis de réglage.

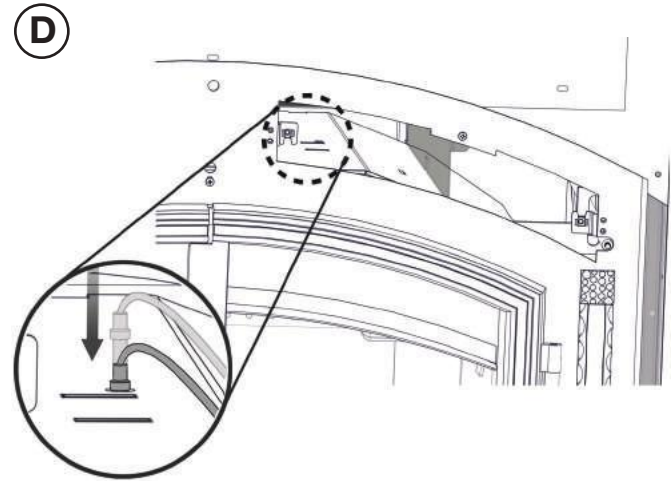
Trajet du Fil



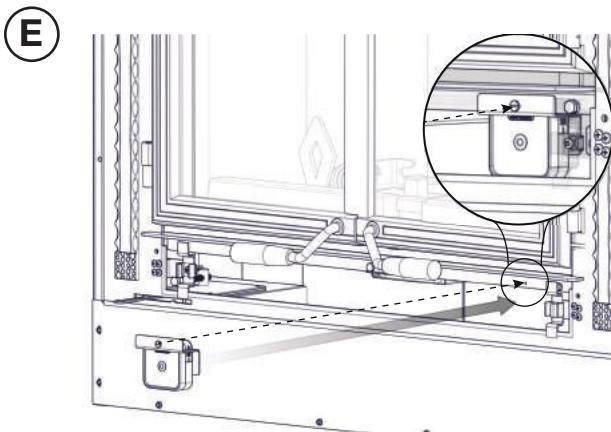
Enduisez généreusement de ciment pour poêle (non fourni) le bas du collet.



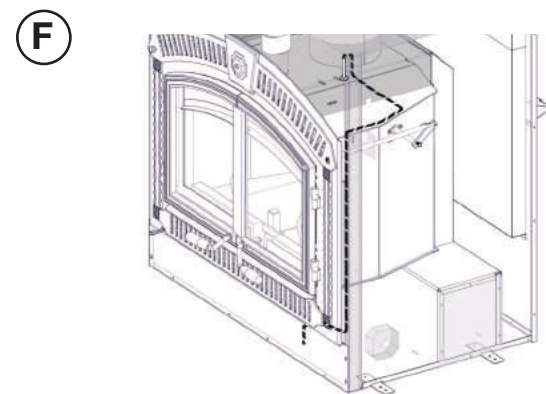
Insérez la sonde à un angle et progressivement redresser la sonde afin qu'elle est an panne.



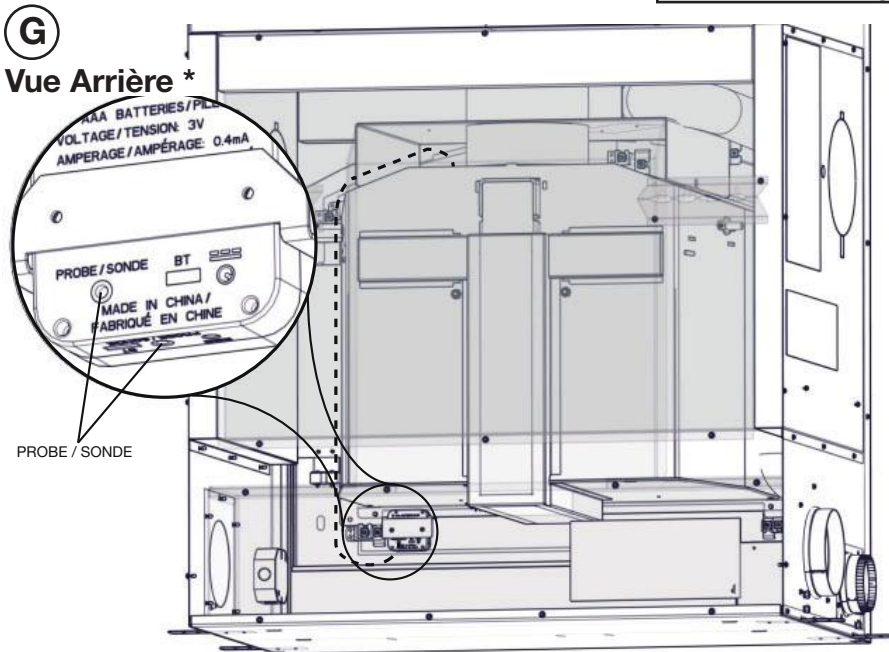
Faites glisser la sonde dans le trou.



Fixez le support à la lèvre de cendres avec la vis (fournie).



Assurez-vous que la lumière d'indication du moniteur de température catalyseur est visible à travers la garniture inférieure.



Fixez la sonde thermocouple vers le porte désigné sur le moniteur de température du catalyseur. Connectez qu'un thermocouple à l'appareil.



Réinstallez la garniture supérieure et inférieure.

*Certains composants sont masqués pour des fins d'illustration.

⚠ AVERTISSEMENT

- L'installation électrique doit être effectuée par un technicien qualifié, en conformité aux codes locaux et avec la version courante du National Electric Code ANSI/NFPA No. 70-Current (aux États-Unis), ou le code C22.1 Canadian Electric Code (au Canada).

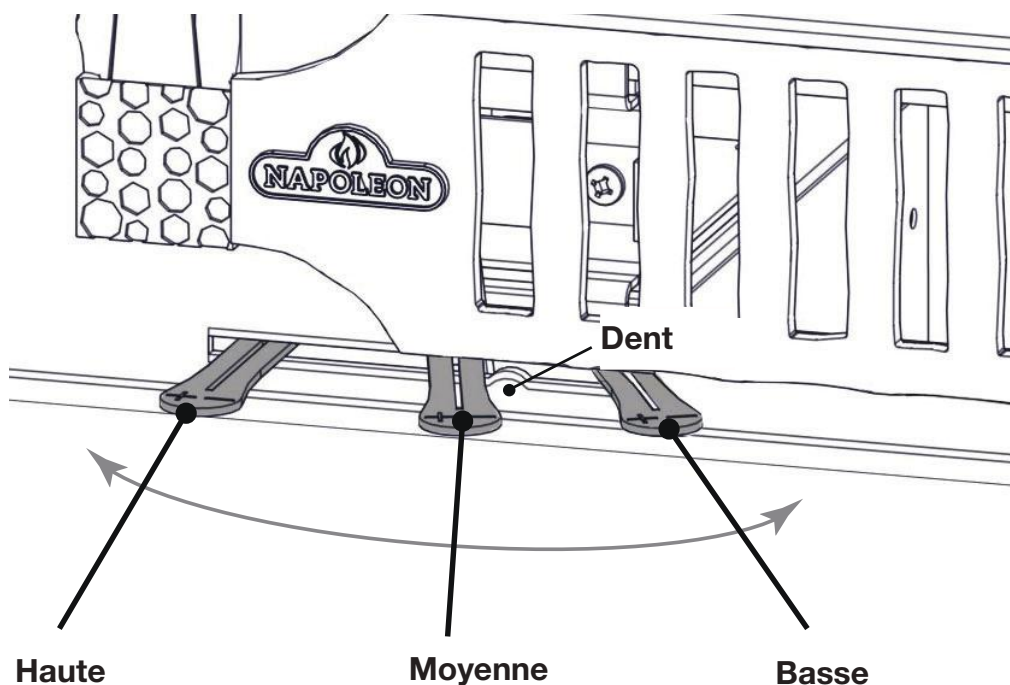
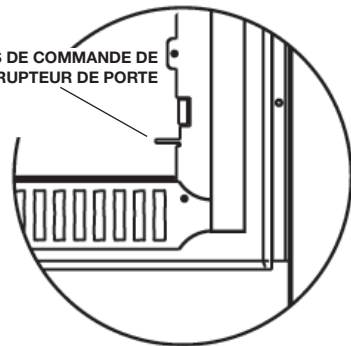
Cet appareil est muni de deux micro-interrupteurs de porte et d'un contrôle thermostatique.

note:

La soufflerie en position élevée tire 3,0 A à l'aide d'une source de 120V, environ 360W.

Assurez-vous que le bras de commande de l'interrupteur de porte traverse la façade, une fois qu'elle est installée, et bouge librement. La soufflerie ne fonctionne lorsque les portes sont complètement fermées et le contrôle de l'air est réglé entre « HIGH » et « LOW ».

LE BRAS DE COMMANDE DE L'INTERRUPTEUR DE PORTE



Réglez la soufflerie pour convenir la sortie de chaleur.

INSTALLATION DE LA SOUFFLERIE

note:

Prenez en considération l'emplacement de la soufflerie, car plus elle sera située près de l'appareil, plus la circulation de l'air sera audible.

- A. Placez la soufflerie contre un mur intérieur ou un mur extérieur dans une ouverture charpentée de 12 3/8" L x 10 1/2" (H) (314mm x 267mm) (un mur extérieur n'est pas recommandé dans les climats plus froids puisque l'air froid peut être attiré dans le maison même si la soufflerie est éteinte).

Le boîtier de la soufflerie doit être installé sur une surface de niveau suffisamment grande pour supporter l'assemblage de la soufflerie. Lorsque vous fixez le boîtier de la soufflerie et la grille, prévoyez l'épaisseur du matériau de finition.

note:

Châssis de la soufflerie peut être installée à l'intérieur d'une maison qui a un débit d'air suffisant.

INSTALLATION DU COLLET

- B. Déterminez de quel côté de l'appareil la soufflerie sera située. Retirez et jetez la plaque de recouvrement et installez le collet de 6" (152mm).

Fixez le collet un accédant à l'intérieur de celui-ci et en pliant les pattes.

Utilisez du scellant pour vous assurer que le raccordement est étanche.

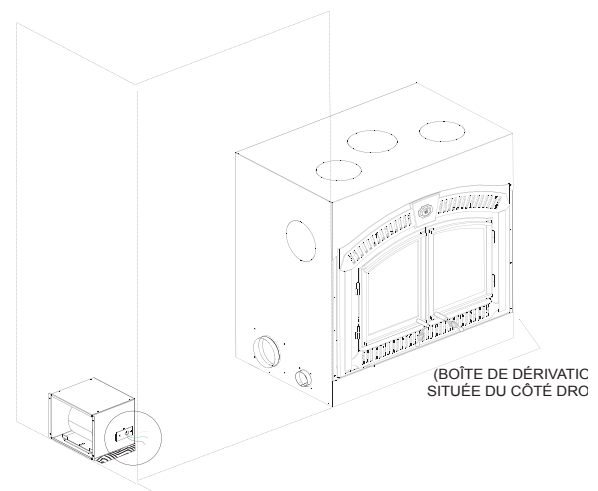
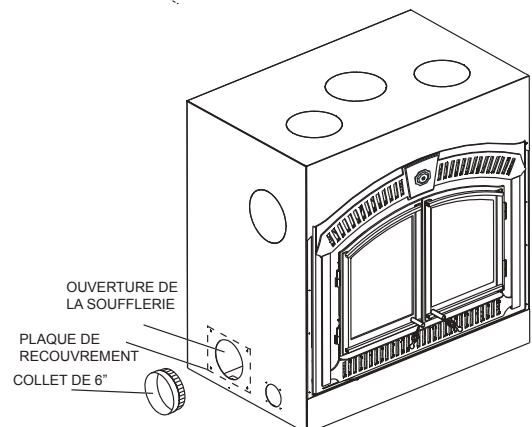
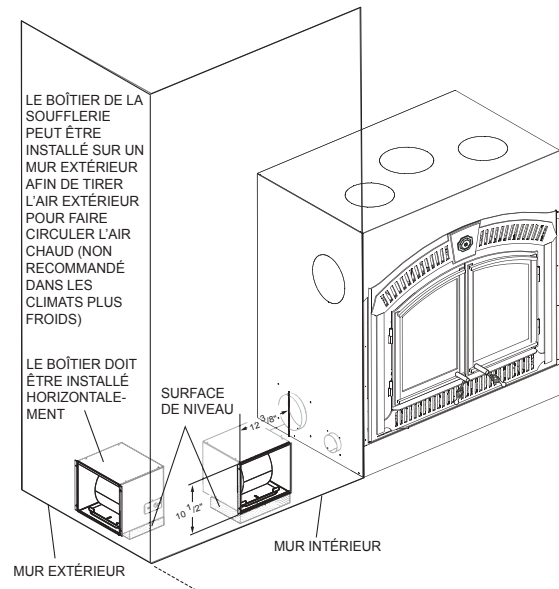
BRANCHEMENT ÉLECTRIQUE

- C. Retirez les couvercles de la boîte de dérivation de l'appareil et de la soufflerie. Lorsque vous retirez le couvercle de la boîte de dérivation de l'appareil, vous y trouverez 4 fils noris identifiés:

Boîte de Jonction de l'Appareil

Deux fils identifiées « by-pass » - (dérivation) vont à l'interrupteur de dérivation (hors saison) (non fourni - annule le contrôle thermostatique pour permettre à l'utilisateur de faire fonctionner la soufflerie sans la chaleur).

IMPORTANT: Si l'interrupteur de dérivation (hors saison) n'est pas désiré, cessez les fils en attachant les connecteurs aux fils conducteur de l'interrupteur de dérivation (hors saison) séparément (ne les branchez pas ensemble).



Un fil identifié « blower » (soufflerie) se branche au rhéostat KB-35 (non fourni) et ensuite le fil KB-35 de la soufflerie se branche au fil blanc de la soufflerie.

Un fil identifié « L1 » se branche à l'alimentation électrique (fil chargé).

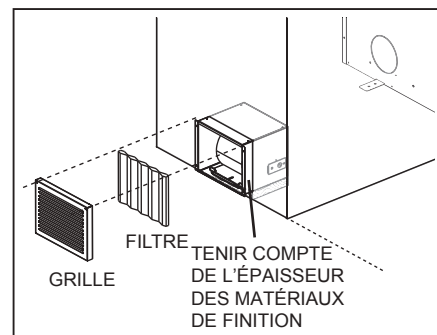
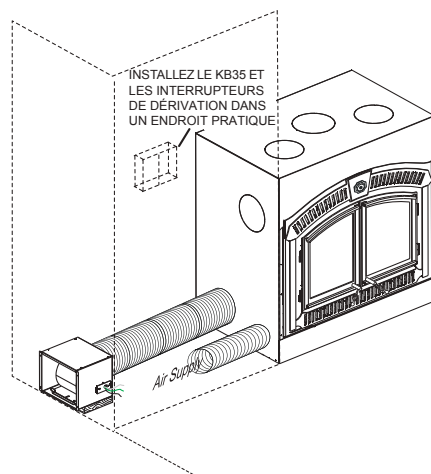
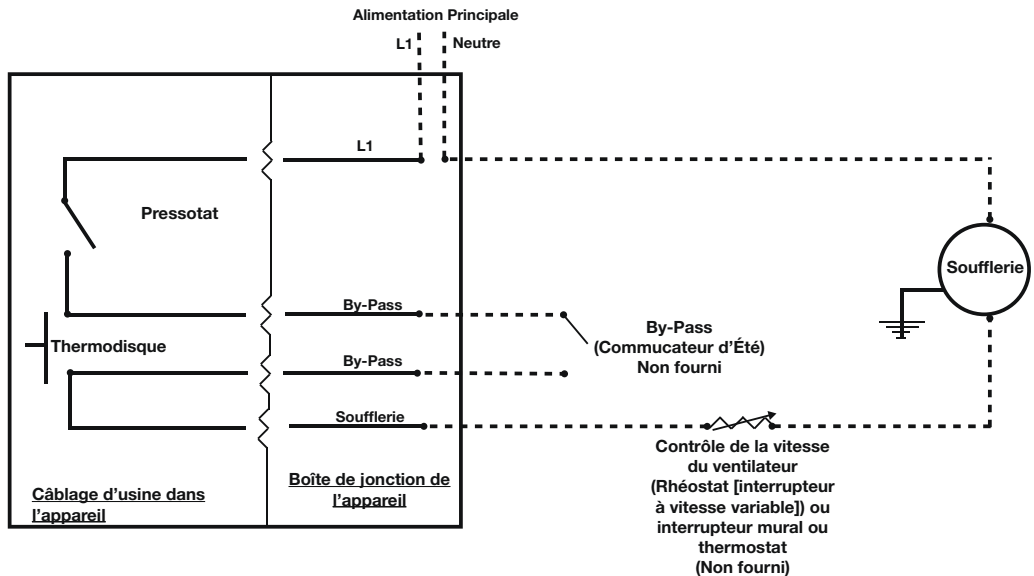
Connexions du Ventilateur de la Soufflerie

- En enlevant le couvercle de la boîte de dérivation de la soufflerie, vous découvrirez trois fils de couleur:

Un fil noir qui se branche à l'alimentation « L2 » (fil neutre).

Un fil vert qui se branche à la mise à la terre.

Un fil blanc qui se branche au rhéostat KB-35, à l'interrupteur mural ou au thermostat.



BRANCHEMENT DE L'ÉVACUATION

D. Fixez la gaine de 6" (152mm) au collet de 6" (152mm) de l'appareil et aux collets de la soufflerie. Fixez chaque extrémité à l'aide de 3 vis et scellez avec du calfeutrage. Le conduit flexible s'étire jusqu'à un maximum de 10' (3m).

INSTALLATION DE LA GRILLE ET DU FILTRE

E. Insérez le filtre dans la grille. Un joint d'étanchéité en mousse (coupe-froid de 1/2" [13mm]) entre la grille et la boîte de la soufflerie est recommandé mais non fournie. Le filtre de la soufflerie est lavable. Le record inférieur de la grille se fixe par-dessus le rebord inférieur de la boîte. Fixez le haut de la grille à la façade à l'aide de deux vis.

note:

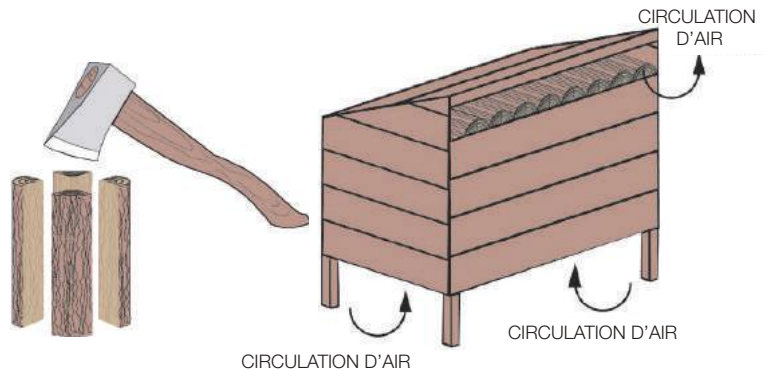
Pour les instructions complètes, voir l'ensemble de la soufflerie.

! AVERTISSEMENT

- Cet appareil est conçu de brûler bois naturel seulement. Ne brûlez pas du bois traité, du charbon, du papier de couleur, du carton, du solvant, ou des déchets. Cet appareil n'a pas été testé avec un ensemble de bûches à gaz non ventilées. Afin de réduire le risque d'incendie ou de blessure, n'installez pas d'ensemble de bûches à gaz non ventilées dans cet appareil.
- Les plus haute efficacité et les plus bas émissions résultent généralement lorsque vous brûlez du bois dur assaisonné et séché à l'air, en comparaison avec du bois mou ou du bois dur qui est trop vert ou fraîchement coupé.
- Le brûlant du bois mouillé et non-assaisonné peut causer l'accumulation excessive de la créosote. Une fois enflammé, elle peut causer un feu de cheminée qui peut résulter dans un incendie de la maison grave.
- Ne stockez pas du carburant dans le domaine du dégagement aux combustibles, ou dans l'espace requis pour le ravitaillement et l'enlèvement des cendres.

TYPES DE BOIS

Le bois dur brûle aussi bien que le bois résineux dans cet appareil; par contre, le bois dur est plus dense, plus lourd, brûle plus lentement et plus longtemps. Les bûches artificielles obtenues par la compression de fibre de bois 100% naturelle peuvent être utilisées sans danger comme combustible. N'utilisez pas des bûches artificielles contenant des additifs comme de la paraffine, de la cire, des liants, etc. Ne brûlez jamais plus de deux bûches artificielles à la fois.



CONTIENT D'HUMIDITÉ

Ne brûlez que du bois propre, non peint et bien sec. Il produit plus de chaleur et moins de suie et de créosote. Le bois fraîchement coupé contient environ 50% d'humidité tandis qu'une fois séché, il n'en contient que 20%. Quand le bois brûle, l'eau bout en consommant une partie de l'énergie qui aurait dû produire de la chaleur. Plus le bois est humide, moins il y aura de chaleur et plus il y aura de créosote. Le bois sec a des craquelures dans les extrémités.

STOCKAGE DE BOIS

Bois de chauffage doit être divisé et empilés de façon à permettre la circulation de l'air complet et couverts au début du printemps pour être prêt pour la gravure de l'automne. Bois de chauffage sec a des fissures dans la fin du grain.

Coupez le bois de façon à ce qu'il puisse rentrer horizontalement, de l'arrière vers l'avant, dans l'appareil. Ceci facilite le chargement et il y aura moins de risque que le bois roule sur la vitre.

Le combustible pour l'appareil ne doit pas être entreposé à l'intérieur des dégagements minimaux aux matériaux combustibles (matériau sensible à la chaleur). **N'ENTREPOSEZ JAMAIS DE BOIS DANS LE COMPARTIMENT DU TIROIR À CENDRES (s'il y a lieu).**

8.0 fonctionnement

FR

AVERTISSEMENT

- L'appareil de chauffage au bois a un faible taux minimale prédéfini de combustion qui ne doit pas être modifié. Il est contre les règlements fédéraux de l'États-Unis pour modifier ce paramètre ou autrement utiliser ce poêle à bois d'une manière incompatible avec les instructions de ce manuel.

Avant de charger l'appareil, assurez-vous que tous les déflecteurs et l'isolation nécessaire (si applicable) sont installés et situés correctement. Pour assurer une efficacité maximale lorsque l'appareil est réchauffé, remplissez-le avec du bois jusqu'au maximum spécifié et brûlez en réglant à feu moyen-bas (si applicable). Des briques presque entièrement blanches et une vitre presque entièrement propre sont de bons indicateurs que votre appareil fonctionne efficacement. Lorsque vous ne brûlez que quelques bûches, l'appareil ne produira pas assez de chaleur ou le bois ne brûlera pas complètement.

note:

Les appareils qui sont entourés par les roches solides ou les briques connaîtront une période de chauffe plus longue car ceux matériaux absorbent la chaleur qui est généré.

Les bruits causés par l'expansion et la contraction lors des cycles de chauffage et de refroidissement sont tout à fait normaux et il faut s'y attendre.

CONSEILS LORSQUE VOUS FAITES UN FEU:

- Faites un grand feu pour réchauffer l'appareil avant de fermer les portes pour régler pour une combustion plus lente.
- Pour faire un grand feu vif, utilisez des petits morceaux de bois.
- Pour un feu continu à combustion lente, chargez des bûches plus grosses, de façon compacte.
- Pour des durées de combustion plus longues, laissez un lit de braises d'une épaisseur de 1" (25mm) à 2" (51mm).
- Ne brûlez que du bois sec.
- À l'exception d'une combustion nocturne, faites de grands feux vifs si possible. Des feux plus petits à combustion lente, utilisant de grosses bûches, feront noircir la vitre. De grands feux vifs à rechargements fréquents, utilisant des bûches de dimensions moyennes, sont beaucoup plus efficaces.
- Il est important de réduire au minimum la fumée visible émettant de la cheminée. Brûler le bois assaisonnés, maintenir la catalyst de l'appareil et suivre les instructions de fonctionnement dans ce manuel permettra de s'assurer que les émissions de fumée visibles sont minimisés.

À FAIRE

- Vérifiez avec capteur d'humidité que le bois ne contient pas plus de 20% d'humidité.
- Plusieurs morceaux de dimensions moyennes sont préférables à quelques gros morceaux.
- Nettoyer la cheminée régulièrement.
- Réalimenter fréquemment en utilisant des morceaux de dimension moyenne.
- Bien ajuster le contrôle de combustion (si applicable) pour une performance optimale.

À NE PAS FAIRE

- Retirer les cendres immédiatement. Laissez-les s'accumuler sur une épaisseur d'au moins un pouce. Une bonne couche de cendres favorise une attisée qui brûle mieux et qui dure plus longtemps.
- Brûler du bois humide avec plus de 20% d'humidité.
- Fermer la porte prématurément ou fermer le contrôle de combustion trop rapidement.
- Brûler un gros morceau de bois plutôt que deux ou trois morceaux plus petits, de dimensions plus raisonnables.
- Brûler continuellement à un réglage trop bas (si applicable). Si la vitre de la porte est constamment noircie, cela signifie que la température de la chambre de combustion est trop basse.

8.1 fonctionnement de l'appareil

L'air comburant primaire entre par le boîtier d'entrée d'air réglé par le contrôle de combustion, s'engage sur le côté à travers un conduit, entre par la sortie supérieure centrale de la chambre de combustion dans un système d'air préchauffé autonettoyant situé le long du haut et le long de la vitre pour alimenter le feu et aussi pour assurer que la vitre demeure propre. L'air secondaire pénètre directement dans la chambre de combustion au niveau de l'âtre, puis se rend à la chambre d'air secondaire. L'air est ensuite propulsé latéralement pour oxyder les gaz s'échappant vers la sortie de fumée. Pendant le démarrage et ravitaillement, la porte de dérivation doit être ouverte afin d'éviter le catalyseur jusqu'à ce que les températures de fonctionnement soient atteintes.

La procédure d'utilisation suivante est recommandée pour obtenir une performance optimale:

Lorsque l'appareil fonctionne à feu élevé:

1. Nous conseillons de régler la soufflerie sur « HIGH » et faites fonctionner avec le thermodisque (situé à l'arrière de l'appareil).

Lorsque l'appareil fonctionne à feu moyen:

2. Nous ne conseillons pas d'utiliser la soufflerie.

Lorsque l'appareil fonctionne à feu bas:

3. Nous conseillons de mettre la soufflerie en marche après environ 60 minutes au réglage minimum. Faites fonctionner avec le thermodisque (situé à l'arrière de l'appareil).

fonctionnement

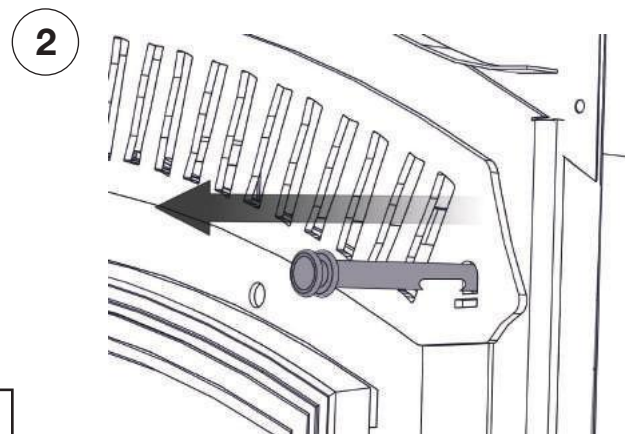
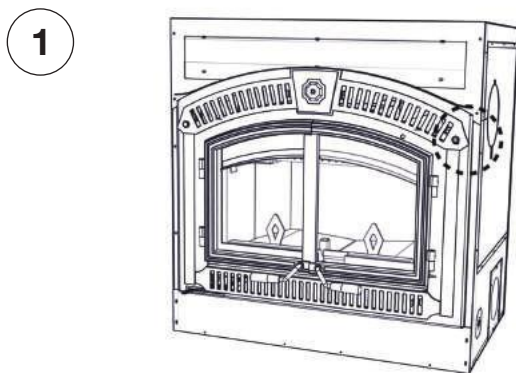
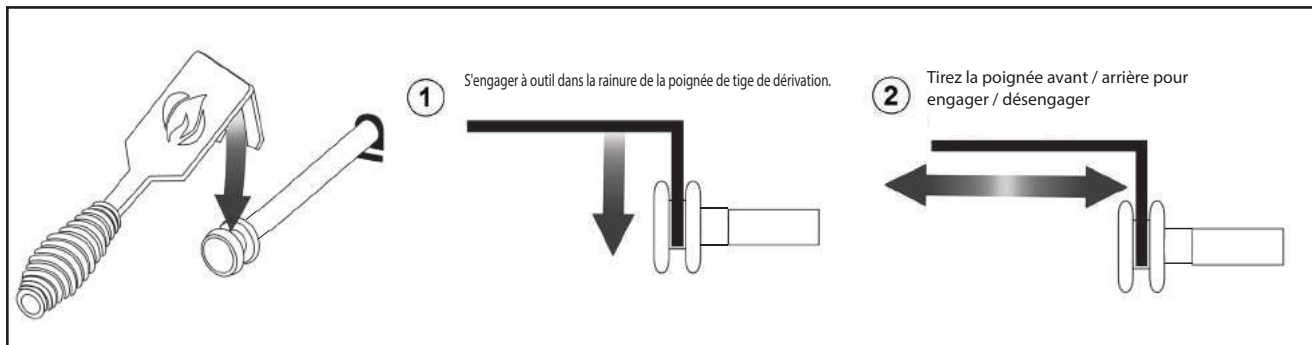
FR

8.2 la porte de dérivation

La porte de dérivation est un mécanisme interne qui permet à des produits d'échappement voyager à travers un chemin discret au conduit de cheminée avant d'entreprendre le catalyseur.

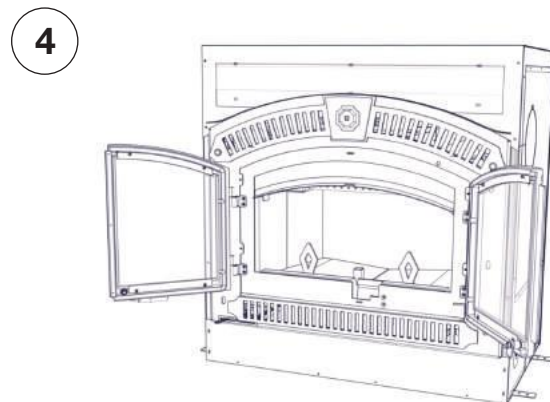
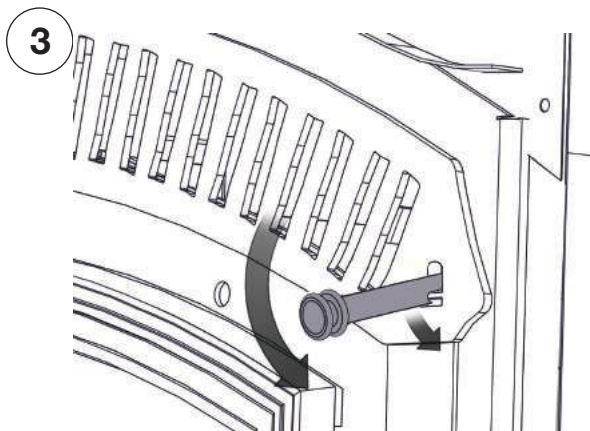
La porte de dérivation est actionnée en tirant sur la tige de contournement située sur le côté droit de l'appareil dehors et vers le bas jusqu'à ce qu'il attrape et reste ouverte. Pour fermer la porte de dérivation, tirez la tige dehors et vers le haut permettant à la tige se rétracter lentement dans l'appareil. Être sûr de ne pas permettre à la porte de dérivation de claquer fermée.

L'outil de poignée de tirage doit être utilisé avec votre appareil de réglage de la tige de dérivation. Cet outil permet d'éviter des blessures comme la tige de contournement deviendrait extrêmement chaude, car l'appareil chauffe. Lorsque vous recevez votre appareil, l'outil tige bypass biendra démontée. Il peut être facilement assemblé par vissage de la poignée de fer en hélice sur le corps de l'outil.



1 Assurez-vous que la porte de dérivation est ouverte lorsque vous allumez ou alimentez le feu. Voir l'illustration ci-dessus pour connaître l'emplacement de la tige de la porte.

2 Tirez la tige de dérivation vers l'extérieur. Utilisez l'outil fourni lorsque l'appareil est **chaud**.



3 Appuyez sur la tige de dérivation vers le bas, puis vers l'intérieur afin de la verrouiller.

4 Ouvrez les portes et chargez le comburant.

8.3 catalyseur

Cet appareil de chauffage à catalyse est équipé avec une sonde de température pour surveiller le fonctionnement du catalyseur. Le catalyseur fait partie intégrante de l'appareil. Il est impératif de l'inspecter et de l'entretenir afin qu'il maintienne un niveau optimal d'efficacité et de faibles émissions. La température de fonctionnement du catalyseur se situe entre 500°F à 1,400°F (260°C à 760°C); faire fonctionner l'appareil à une température de catalyse dépassant la limite maximale pendant une période prolongée entraînera des dommages permanents. Le moniteur de température du catalyseur fournie permet de connaître la température du catalyseur en utilisant une lumière DEL. Veuillez vous reporter aux directives d'utilisation du fabricant fournies avec le moniteur de température du catalyseur.

8.4 sons de fonctionnement, les odeurs, et caractéristiques

Si une soufflerie est installée, un léger bourdonnement peut être perçu en fonction de l'emplacement de la soufflerie. Ce bruit peut être minimisé en diminuant la vitesse de la soufflerie. C'est aussi normale d'entendre craquement et/ou cochant pendant le fonctionnement en tant que les composants de la plaque métallique de l'appareil augmente et contracte. Cela peut être présent pendant les réchauffer et refroidir.

Durant la période de rodage (les 2 ou 3 premiers feux), ne faites que des petits feux chauds avec du bois d'allumage; ceci permettra à la brique réfractaire de se conditionner. Ne vous inquiétez pas si de petites fissures apparaissent dans les briques réfractaires. Cela est normal et ne pose pas un risque pour la sécurité. Le patin peut également émettre une odeur; vous devrez ouvrir une porte ou une fenêtre pour chasser les odeurs.

Il y a plusieurs façons d'allumer un feu. Passez en revue les conseils et les avertissements de cette section pour vous assurer que le feu soit allumé de façon adéquate.

8.5 contrôle du tirage

AVERTISSEMENT

- Faites toujours fonctionner cet appareil avec la porte fermée et verrouillée sauf lors de l'allumage et du rechargement.

Le tirage est la force qui déplace l'air de l'appareil vers le haut, dans la cheminée. La force de tirage de votre cheminée dépend de sa hauteur, de la géographie locale, des obstructions avoisinantes et d'autres facteurs. Un tirage inadéquat peut causer des refoulements de fumée dans la pièce ainsi que le blocage de la cheminée. Un tirage trop important provoquera des températures excessives dans l'appareil, des composants qui rougeoient ou une combustion incontrôlable, ce qui peut causer un feu de cheminée ou des dommages permanents à l'appareil.

Le chauffage de bois a une vitesse de combustion faible pré-réglé qui ne doit pas être modifiée. Il est contre les règlements fédéraux des États-Unis de modifier ce réglage ou d'autrement faire fonctionner ce chauffage de bois dans une manière incompatible avec les instructions dans ce manuel.

8.6 extincteurs de feu / détecteur de fumée et carbon monoxyde

Toutes les maisons possédant un appareil à combustible solide devraient posséder au moins un extincteur d'incendie dans un emplacement central connu de tous et au moins un détecteur de fumée et détecteur monoxyde de carbone placé dans la pièce où l'appareil est situé. Si l'alarme se déclenche, corrigez la cause mais ne désactivez pas, ou ne relocalisez pas le détecteur de fumée. Si le détecteur de monoxyde de carbone sonne l'alarme, déplacer immédiatement à une région qui a l'air frais et appeler un votre service d'incendie local.

! AVERTISSEMENT

- Brûlez le bois en arrière du pare-bûches directement sur les briques réfractaires. N'utilisez pas un chenet et n'essayez pas de surélever le feu de quelque manière.
- N'entreposez pas le bois à l'intérieur des dégagements de l'appareil ou dans l'espace requis pour le ravitaillement ou l'enlèvement des cendres.
- Brûleur du bois vert ou humide peut causer des accumulations excessives de crésote. Lorsqu'allumée, cette dernière peut causer un feu de cheminée et un incendie grave pourrait s'ensuivre.

Les briques seront presque entièrement blanches et la vitre presque entièrement propre. Ceci est un bon indicateur que votre appareil fonctionne efficacement.

Lorsque vous ne brûlez qu'une ou deux bûches, l'appareil ne produira pas assez de chaleur.

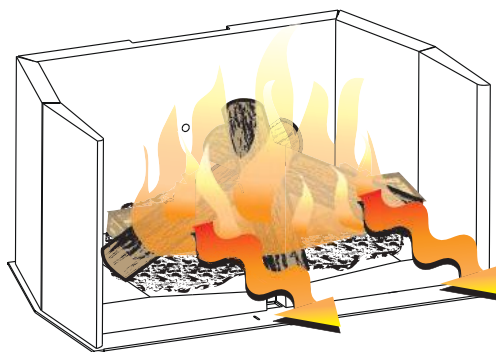
Il faut au moins trois bûches pour arriver à avoir un lit de braises qui nourrira le feu. Des bûches placées de façon lâche brûleront plus rapidement que celles placées serrées les unes contre les autres.

Un feu éclair est un petit feu qui brûle rapidement quand vous n'avez pas besoin de beaucoup de chaleur. Une fois que votre bois d'allumage est bien allumé, chargez trois bûches par-dessus de façon très lâche. Faites brûler avec le contrôle de combustion pleinement ouvert ou légèrement ouverte.

Le bois brûle de façon cyclique au lieu de fournir une chaleur constante. Il est donc préférable de planifier ces cycles en fonction de vos activités familiales de façon à ce que suffisamment de braises soient disponibles pour allumer la charge suivante.



QUANTITÉ DE BOIS INSUFFISANTE



QUANTITÉ DE BOIS SUFFISANTE

8.8 allumage du feu

! AVERTISSEMENT

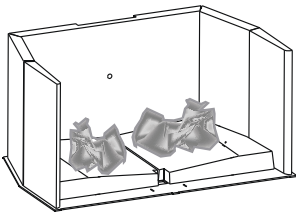
- Faites toujours fonctionner cet appareil avec la porte fermée et verrouillée sauf durant l'allumage et le ravitaillement ou sauf indication contraire avec compatibles Wolf Steel accessoires. Faire fonctionner cet appareil avec les portes ouvertes ou entrouvertes crée un risque d'incendie de cheminée ou du domicile. Portez toujours des gants pour prévenir les blessures. Ne laissez pas l'appareil sans supervision lorsque la porte est déverrouillée ou lorsque vous utilisez le pare-étincelles. Du bois instable pourrait tomber hors de la chambre de combustion et créer un risque d'incendie.
- Ne laissez jamais les enfants sans surveillance lorsqu'un feu brûle dans l'appareil.
- N'utilisez jamais d'essence, de combustible à lanterne, de kérosène, d'essence à briquet ou d'autres liquides pour allumer ou raviver un feu dans cet appareil. Gardez tous ces liquides éloignés de l'appareil.
- Cet appareil n'a pas été testé avec un ensemble de bûches à gaz ventilées ou non ventilées. Afin de réduire le risque d'incendie ou de blessure, n'installez pas d'ensemble de bûches à gaz ventilées ou non ventilées dans cet appareil.

Assurez-vous que le contrôle de combustion est en position élevée, si équipé. Si vous avez besoin de plus d'air, vous pouvez ouvrir les portes de 1" (25,4mm) à 2" (50,8mm) durant les cinq premières minutes d'allumage; voir la section « air comburant » si vous avez besoin de plus d'air.

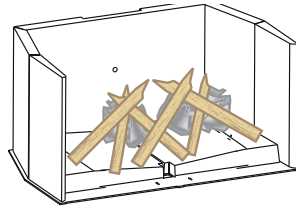
Enlevez tous les contenants d'essence ou autres liquides et vapeurs inflammables placés à proximité de cet appareil ou tout autre appareil avant de l'allumer.

Utilisez beaucoup de papier journal et de bois d'allumage pour vous assurer que l'appareil atteigne une température adéquate. Lorsque le bois d'allumage est enflammé, ajoutez quelques morceaux de bois plus gros sur le feu.

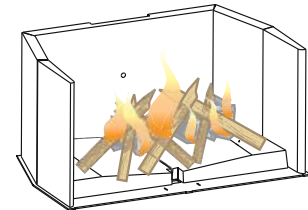
Conseil : Lorsque vous allumez un feu, si la fumée n'est pas rapidement tirée dans la cheminée, il se peut qu'il y ait un tirage descendant ou de l'air froid dans la cheminée. En brûlant d'abord une bonne quantité de papier journal, la cheminée se réchauffera et la fumée sera rapidement attirée par la cheminée.



- A.** À l'allumage, un feu vif est requis. Roulez du papier journal; allumez-le et approchez-le de la buse de l'appareil jusqu'à ce que la cheminée commence à tirer.

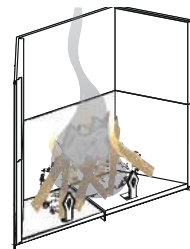
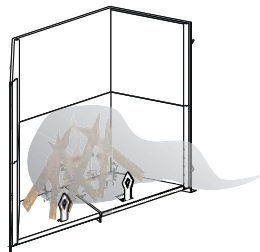


- B.** Couvrez de bois d'allumage.



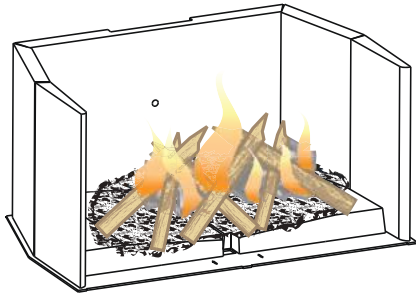
- C.** Allumez le papier et quand le bois brûle, ajouter plus de carburant.

Le tirage est la force qui déplace l'air de l'appareil vers le haut, dans la cheminée. La force de tirage de votre cheminée dépend de sa hauteur, de la géographie locale, des obstructions avoisinantes et d'autres facteurs. Un tirage inadéquat peut causer des refoulements de fumée dans la pièce ainsi que le blocage de la cheminée. Un tirage trop important provoquera des températures excessives dans l'appareil, des composants qui rougeoient ou une combustion incontrôlable, ce qui peut causer un feu de cheminée ou des dommages permanents à l'appareil.

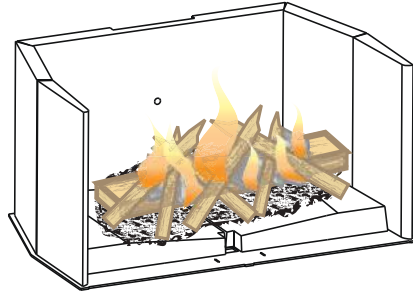


fonctionnement

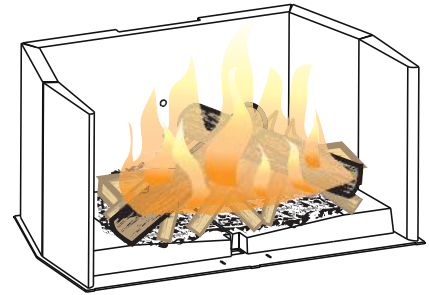
FR



D. Pour maintenir un feu vif, un lit de braises doit se former et être entretenu.



E. Lentement, ajoutez des morceaux de bois plus gros (2" x 4"). Posez les morceaux dans le lit de braises, parallèlement à l'arrière de l'appareil, tout en gardant une tranchée peu profonde entre les morceaux de bois. Ainsi l'air comburant primaire circulera directement dans la tranchée et allumera le bois.



F. Lorsque la flambée semble être à son maximum, des bûches de dimensions moyennes peuvent être ajoutées. Une fois que ces morceaux ont pris feu, fermez la porte doucement.

Lorsque le feu est allumé, ouvrez la porte lentement pour éviter que la fumée ne se répande dans la pièce.

Le fait de fermer la porte immédiatement après le chargement entraînera une diminution de température dans la chambre de combustion, qui peut se traduire en une combustion insatisfaisante.

G. Une fois que la porte est fermée, vous observerez un changement dans le comportement des flammes. Elles deviendront plus petites et plus paresseuses parce que le volume d'oxygène qui entre dans la chambre de combustion est moindre. Cependant, les flammes sont plus efficaces. Elles continueront d'être paresseuses, mais redeviendront plus grandes dès que les briques réfractaires auront été complètement réchauffées et que la cheminée deviendra plus chaude, produisant ainsi un meilleur tirage.

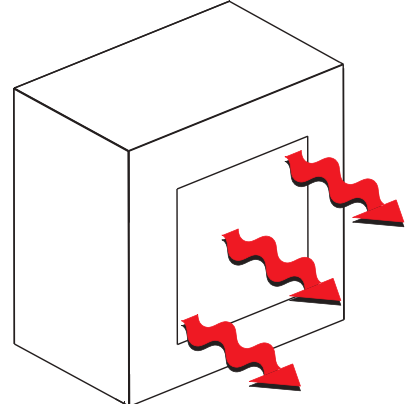
H. Lorsque les portes sont ouvertes, le feu tire inutilement l'air réchauffé de la pièce dans la cheminée, une situation qui est certes indésirable. C'est pourquoi il faut toujours faire fonctionner l'appareil avec la porte complètement fermée lorsque les morceaux de bois de dimensions moyennes sont enflammés.

Vous pouvez maintenant ajouter de plus gros morceaux de bois et faire fonctionner l'appareil normalement. Dès que l'appareil est complètement réchauffé, il brûlera très efficacement en laissant échapper très peu de fumée par la cheminée. Il y aura un lit de braises très chaudes dans la chambre de combustion et vous pourrez sans crainte remplir la chambre de combustion avec du bois jusqu'au-dessus des bornes de chenet.

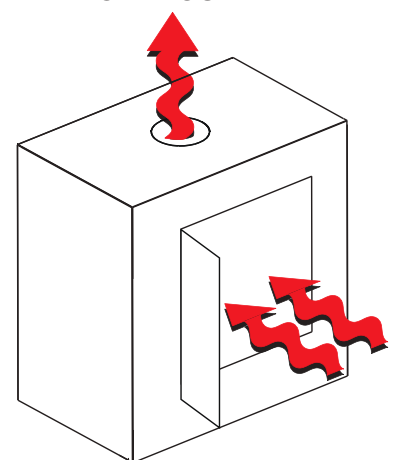
Vous n'arrivez pas à faire fonctionner votre appareil? Utilisez plus de bois d'allumage et de papier. Si la cheminée et le tuyau d'évacuation sont de grandeur appropriée et s'il y a suffisamment d'air comburant, alors le problème est causé par le manque de petits morceaux de bois d'allumage sec. Le bois d'allumage devrait avoir un diamètre équivalent à celui de votre pouce.

Votre appareil n'émet pas assez de chaleur? Une ou deux choses peuvent être en cause. Les portes de l'appareil ont été fermées prématurément et l'appareil n'a pas atteint sa température optimale. Ouvrez à nouveau les portes ou le contrôle de combustion afin de repartir un feu vif. Du bois humide pourrait être la deuxième cause. Un bois grésillant d'où s'échappe de l'humidité est le symptôme typique. Le seul moyen précis pour déterminer l'humidité du bois est d'un humidimètre. Contactez votre revendeur local pour plus d'informations.

FONCTIONNEMENT AVEC LA PORTE FERMÉE



FONCTIONNEMENT AVEC LA PORTE OUVERTE



note:

Les appareils entourés de roches ou de briques nécessiteront une période de réchauffement plus longue puisque ces matériaux absorbent la chaleur générée.

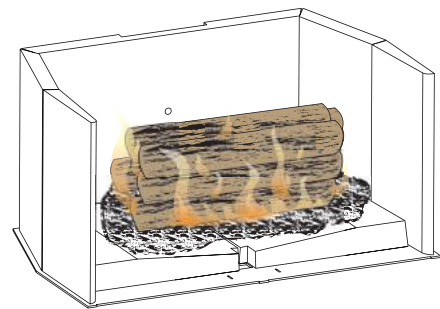
8.9 fumage

Un appareil installé convenablement ne devrait pas fumer. Si votre fume, vérifiez les points suivants:

- Est-ce que la cheminée a pu se réchauffer suffisamment?
- Est-ce que le passage de la fumée est bloqué soit dans la cheminée, soit dans le conduit de raccordement, soit dans l'appareil?
- Est-ce que la pièce est trop hermétique et que la prise d'air comburant n'est pas raccordée sur l'extérieur? Essayez avec une fenêtre partiellement ouverte.
- Est-ce que le flot de fumée est restreint par un tuyau horizontal trop long ou par un trop grand nombre de coudes?
- S'agit-il d'un tirage faible causé par une cheminée non hermétique, une cheminée extérieure froide, un diamètre de cheminée trop grand, une cheminée trop courte ou trop près des arbres ou d'un toit plus élevé?
- Est la teneur en humidité du bois supérieure à 20%?
- Si équipé, est-ce que le bypass catalyseur a été fermé ou fermé prématurément?

8.10 combustion nocturne

- Réchauffez l'appareil, en réglant le contrôle de combustion au maximum, et laissez-le brûler pendant 15 minutes.
- Chargez vos bûches de dimensions plus grosses de façon compacte afin d'empêcher les flammes de s'infiltrer complètement.
- Après 30 minutes environ, en fonction de la taille de la charge, fermez le contrôle de tirage en vérifiant que le feu ne se soit pas éteint.
- Le lendemain matin, l'appareil devrait être encore chaud avec des braises présentes dans le lit de charbon. Remuez les charbons et chargez de petits morceaux de bois pour réallumer le feu, si désiré.



note:

Les durées de combustion de totaltes peuvent diminuer en fonction de la hauteur et du tirage de chaque cheminée.

NE SURCHAUFFEZ PAS L'APPAREIL! Une surchauffe peut se produire quand vous brûlez de grandes quantités de bois de dimensions plus petites ou quand vous brûlez vivement de grandes quantités de bois avec le contrôle de tirage à « HIGH » (entièrement ouvert) pendant de longues périodes (une ou deux heures).

8.11 rechargement de l'appareil

! AVERTISSEMENT

- Le brûlant du bois mouillé et non-assaisonné peut causer l'accumulation excessive de la créosote. Une fois enflammé, elle peut causer un feu de cheminée qui peut résulter dans un incendie de la maison grave.
- Il est recommandé d'utiliser des gants résistants à la chaleur et/ou des pinveaux métalliques lorsqu'il recouvre l'appareil.

Lorsque vous rechargez l'appareil, ouvrez la porte lentement afin d'éviter les déversements de fumée. Lorsque vous alimentez le feu, utilisez de longues gants protecteurs. Gardez une petite pelle en acier à proximité; elle peut être utilisée comme tisonnier ou pour enlever les cendres. N'entrez pas le bois à moins de quatre pieds (1,2m) de l'appareil.

Respectez les directives suivantes afin de minimiser les refoulements de fumée lors du rechargement de l'appareil.

1. Réglez le contrôle d'air à haut.
2. Ouvrez la porte de dérivation, s'il y a lieu.
3. Ouvrez la porte en verre légèrement. Laissez le débit d'air dans l'intérieur de la chambre de combustion stabiliser avant d'ouvrir les portes complètement.
4. Chargez du bois et brûlez-le au réglage haut.
5. Après 5-10 minutes, fermez les portes en verre.
6. Assurez-vous que la température du catalyseur est stable puis fermez la porte de dérivation, s'il y a lieu, puis réglez à moyenne-bas.

En soirée, chargez votre appareil au moins une demi-heure avant le coucher afin d'assurer le feu est assez chaud et fermez le contrôle de tirage pour une combustion nocturne, voir la section « combustion nocturne » pour l'information détaillée.

9.0 entretien

FR

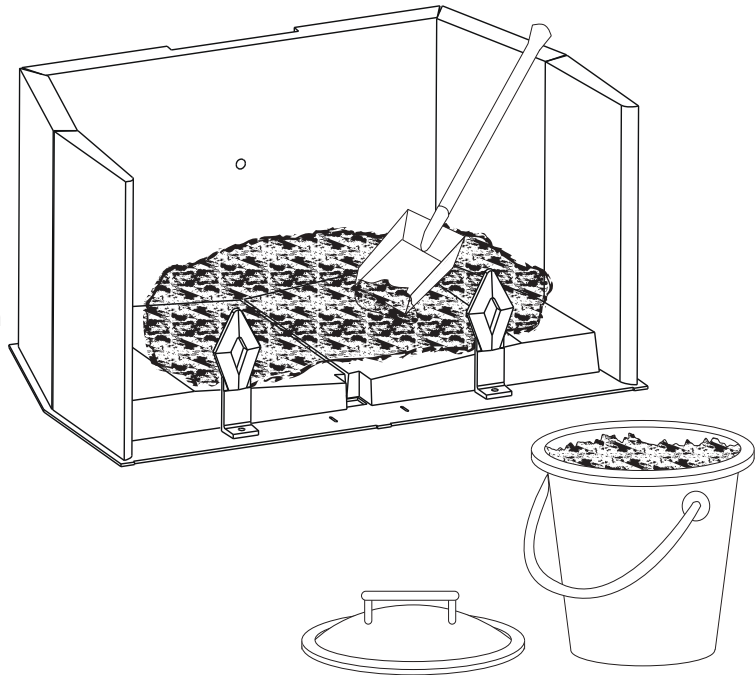
9.1 enlèvement des cendres

! AVERTISSEMENT

- Une mise au rebut inadéquate des cendres cause des incendies. Ne jetez pas les cendres dans des boîtes de carton, dans la cour arrière, et ne les entreposez pas dans le garage.
- Si vous utilisez un aspirateur pour ramasser des cendres, assurez-vous que les cendres sont complètement refroidies. Si vous utilisez un aspirateur pour ramasser des cendres chaudes, cela risque de produire un feu à l'intérieur de l'aspirateur.

Laissez les cendres s'accumuler sur une épaisseur d'environ 1" (25mm) sur le plancher de la chambre de combustion pour aider à conserver un lit de braise chaude. Une fois que le feu s'est éteint et que les cendres se sont refroidies, enlevez toutes les cendres excédentaires. Pour enlever les cendres, suivez les directives ci-dessous.

- A. Une fois que le dernier morceau de charbon s'est éteint, laissez l'appareil se refroidir au moins deux heures.
- B. Ouvrez les portes de l'appareil.
- C. Pelletez les cendres de l'appareil dans un contenant de métal possédant un couvercle étanche. Fermez le couvercle et posez-le contenant sur une surface incombustible, loin de l'appareil, pour vous assurer que les braises refroidissent. Jetez les cendres.



9.2 inspection et remplacement du catalyseur

note:

Le combustion catalytique fourni avec cet appareil est un longue durée de vie de combustion de la marque **ACI** céramique.

! AVERTISSEMENT

- Ne retirez pas le catalyseur à moins que vous remplacez avec un kit approuvé.

Il est conseillé d'inspecter le catalyseur au début, au milieu et à la fin de chaque saison afin d'y déceler les problèmes ou les défauts, comme les fissures, l'effritement, les dépôts de créosote, ou de suie et l'écaillage du revêtement. Dans la mesure où les défauts ne sont pas toutes visuellement apparentes, reportez-vous aux sections « guide de dépannage » et « guide de dépannage du catalyseur » pour d'autres problèmes, causes et mesures correctives.

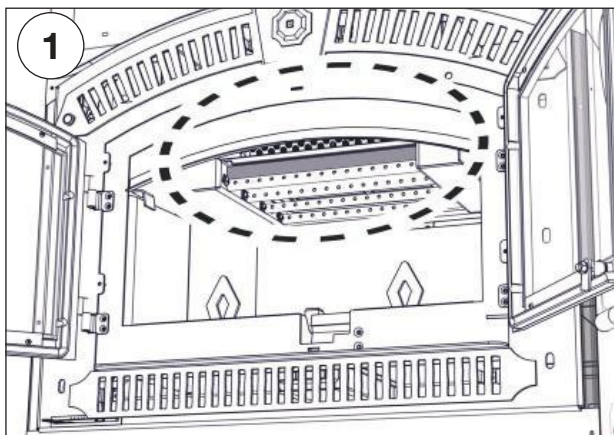
Pour savoir si le catalyseur fonctionne, une fois la température de démarrage atteinte, comparez la quantité de fumée qui s'échappe de la cheminée lorsque la porte de dérivation est ouverte et que la fumée n'est pas dirigée vers le catalyseur, à celle qui s'en échappe lorsque la porte de dérivation est fermée et que la fumée passe par le catalyseur. La fumée est censée être beaucoup plus abondante lorsque la porte de dérivation est ouverte que lorsque le catalyseur fonctionne. Si ce n'est pas le cas, reportez-vous à la section « guide de dépannage du catalyseur » portant sur l'entretien du catalyseur.

La durée de vie du catalyseur dépend de nombreux facteurs, comme le type de bois brûlé, la fréquence d'utilisation de l'appareil, l'entretien effectué, etc. Néanmoins, s'il est inspecté et entretenu de manière adéquate, le catalyseur devrait durer entre 6 et 10 ans.

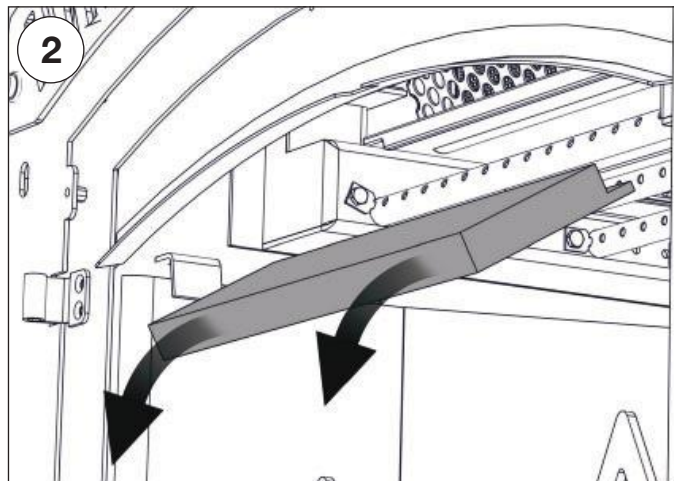
Si vous devez remplacer le catalyseur, veuillez-vous reportez aux directives ci-dessous ou à celles fournies avec l'ensemble de remplacement du catalyseur.

AVERTISSEMENT

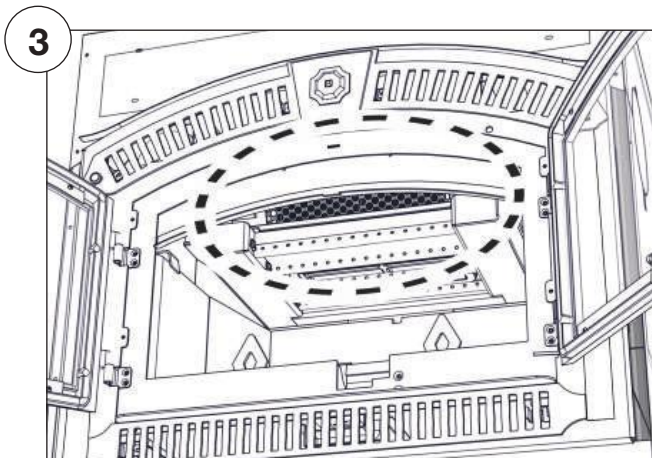
- Assurez-vous toujours que le foyer à bois est suffisamment refroidi avant de tenter de remplacer tout composant du foyer.



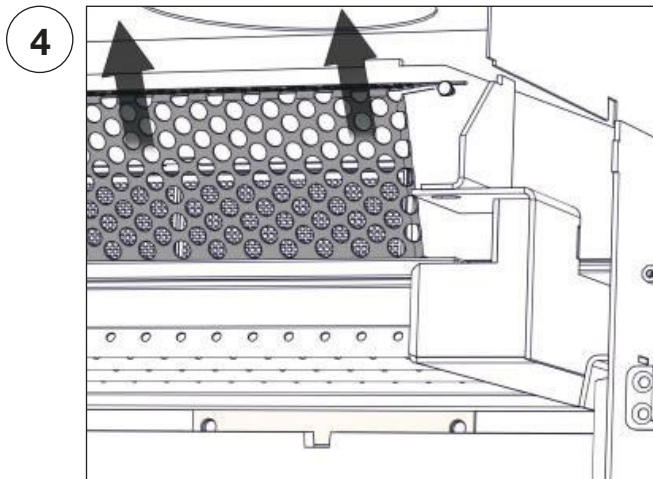
Localisez le déflecteur en fibre.



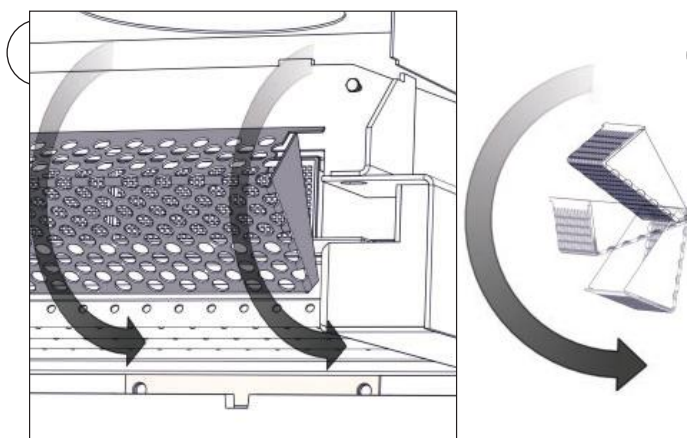
Glissez le déflecteur vers l'avant puis vers le bas.



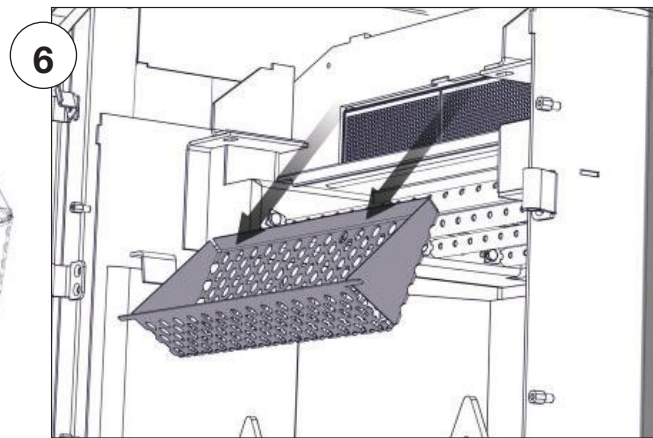
Localisez l'écran de catalyseur perforé.



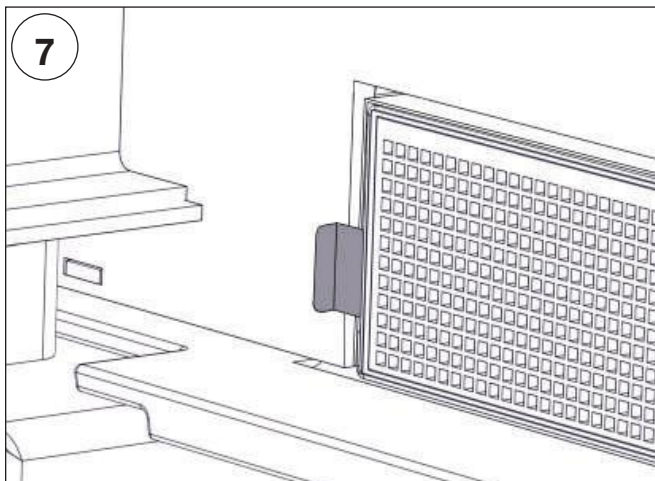
Faites glisser l'écran de catalyseur perforé vers le haut, au-dessus des boulons à épaulement.



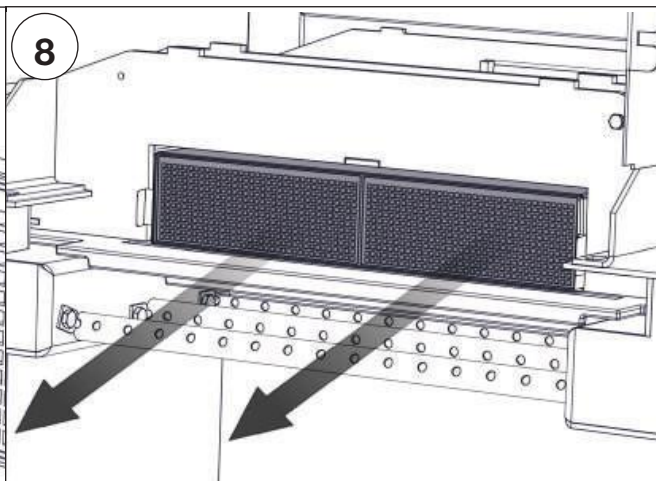
Faites pivoter l'écran de catalyseur perforé vers l'avant jusqu'à ce qu'il soit tourné vers le bas.



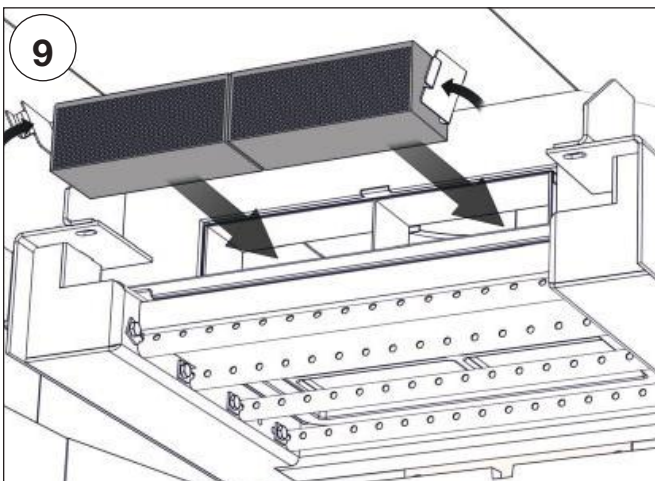
Retirez l'écran de catalyseur.



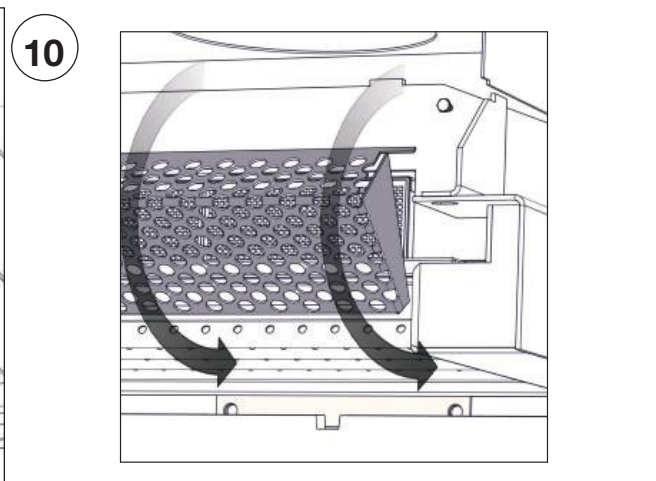
7 Saisissez les languettes en acier situées de chaque côté du catalyseur.



8 Sortez le catalyseur en le faisant glisser vers l'avant. Les languettes en acier sont retenues par friction et se séparent du filtre lorsque tiré.

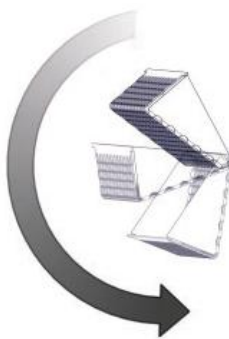


9 Tenez les languettes en acier situées de chaque côté du catalyseur et faites glisser le nouveau catalyseur à l'intérieur.



10

INDICE: Sécurisation des onglets avec masquage robinet peut faciliter l'installation.



Réinstallez le panier perforé dans l'ordre inverse. Assurez-vous que le panier repose sur les boulons à épaulement de l'étape 2. Réinstallez le déflecteur en fibre.

Les indices pour prolonger la vie du catalyseur:

- Ne surchauffe pas l'appareil.
- Surveillez les températures de catalyseur.
- Évitez les chocs thermiques (chauffage ou refroidissement de catalyseur trop vite).
- Inspectez le catalyseur régulièrement.
- Ne brûlez pas autre chose que des bois de haut qualité mentionnées dans ce manuel.

9.3 formation et enlèvement de la créosote

Lorsque le bois brûle lentement, il produit du goudron et autres vapeurs organiques qui, se combinant à la vapeur d'eau évacuée, forment la créosote. Ces vapeurs se condensent dans le conduit relativement froid de la cheminée d'un appareil brûlant lentement. Par conséquent, le résidu de créosote s'accumule dans le conduit. Lorsqu'elle prend feu, la créosote produit un feu extrêmement chaud.

Inspectez votre cheminée pour des accumulations de créosote chaque deux mois pendant le saison de chauffage pour déterminer si une accumulation de créosote à former.

9.4 feu de cheminée ou feu hors contrôle

AVERTISSEMENT

- Un feu de cheminée peut endommager votre cheminée de façon permanente. Pour réparer ces dommages, vous devrez remplacer les composants endommagés. Les feux de cheminée ne sont pas couverts par la garantie à vie limitée.

CAUSÉS:

- L'utilisation d'un combustible inapproprié ou de morceaux de bois trop petits qui, normalement, auraient été utilisés comme bois d'allumage.
- Accumulation de créosote dans la cheminée.
- Une porte laissée entrouverte trop longtemps créant des températures extrêmes lorsque l'air est entraîné précipitamment par la porte ouverte.
- Si équipé; faire fonctionner votre appareil sans le bouchon de cendres mal installé.

SOLUTIONS:

- Ne brûlez pas de bois traité ou transformé, de charbon, de charbon de bois, de papier de couleur ou de carton.
- Ont nettoyé la cheminée régulièrement.
- Faites attention de ne pas surchauffer l'appareil en laissant la porte ouverte trop longtemps après l'allumage initial. Un thermomètre sur le conduit de raccordement ou sur le dessus de l'appareil serait utile.
- Si équipé, toujours faire fonctionner l'appareil avec le vouchon de cendres installée.

EN CAS DE FEU DE CHEMINÉE:

- Fermez la porte vitrée et la prise d'air de l'appareil (et l'amortisseur, si équipé).
- Ayez un plan d'évacuation bien compris de tous et désignez un lieu de rassemblement à l'extérieur. Préparez-vous à évacuer les lieux pour assurer la sécurité de chacun.
- Appelez votre service d'incendie. Ayez un extincteur sous la main. Contactez les autorités locales pour savoir quoi faire en cas de feu de cheminée.
- Après que le feu de cheminée est éteint et avant d'allumer un autre feu, nettoyez et inspectez la cheminée pour des signes de détérioration ou des fissures. Vérifiez également les matériaux combustibles autour de la cheminée et du toit.

9.5 nettoyage de la cheminée

AVERTISSEMENT

- Voir les instructions du fabricant de la cheminée pour le nettoyage et l'inspection de l'appareil.

La cheminée et l'appareil doivent être inspectés et nettoyés s'il y a lieu au moins une fois l'an. En cas d'utilisation fréquente du chauffage au bois, le nettoyage de la cheminée doit être fait au besoin pour éviter des feux de cheminée. Les systèmes d'évacuation des appareils à combustion contrôlée peuvent nécessiter un nettoyage aussi fréquent qu'une fois par mois. Cependant, cette fréquence dépend des habitudes de chauffage de la personne qui utilise l'appareil. À titre d'exemple, il est possible d'obstruer la cheminée d'un appareil à combustible solide en quelques jours si l'appareil brûle lentement et que la cheminée est froide.

note:

Les utilisateurs qui font toujours des feux chauds auront rarement d'importantes accumulations de crésote dans la cheminée.

Lors du nettoyage de la cheminée, certains éléments doivent être considérés :

- Les outils appropriés doivent être utilisés, incluant une brosse spécialement conçue pour le ramonage de la cheminée.
- Les conduits de raccordement, le registre et la cheminée doivent être nettoyés.
- La chambre de combustion et les déflecteurs doivent être nettoyés au besoin.
- La cheminée doit être inspectée et réparée au besoin, de préférence par un ramoneur ou un maçon qualifié.

note:

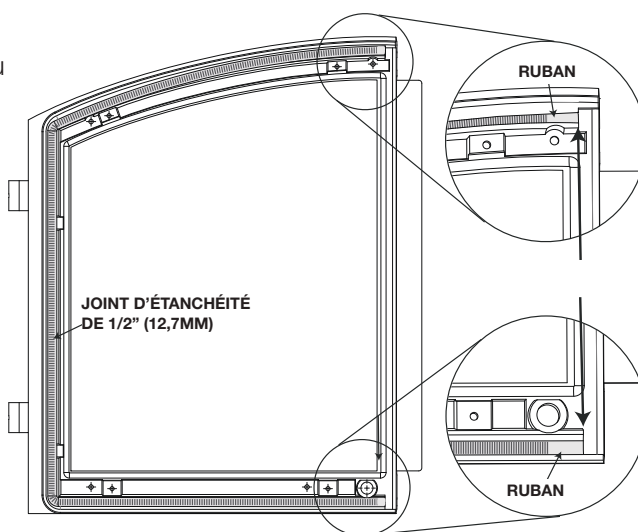
Si vous nettoyez la cheminée de l'intérieur de la chambre de combustion, le collecteur d'air secondaire doit être retiré et les joints remplacés à l'aide du kit de joints W370-0075. Voir la section « remplacement du joint d'étanchéité interne » pour plus de détails.

9.6 remplacement de la porte de fer forgé et joint d'étanchéité

Enlevez les portes de l'appareil (si nécessaire, consultez votre manuel d'instructions). Pour éviter des endommages, placez-les sur une surface protégée, face vers le bas.

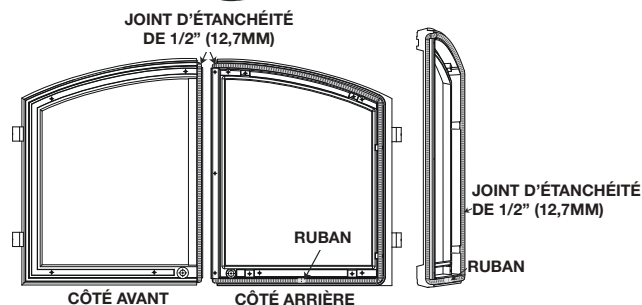
INSTRUCTIONS D'INSTALLATION POUR LA PORTE DU CÔTÉ DROITE:

- Retirez le joint d'étanchéité endommagé.
- Appliquez un mince cordon d'adhésif (de la silicone rouge à haute température [RTV] ou du ciment à joint pour poêle à bois) le long du haut, du côté et du bas des cannelures de la porte. L'adhésif doit suivre le même parcours que le joint d'étanchéité, comme illustré ci-dessus.
- Placez un morceau de ruban autour d'une extrémité du joint d'étanchéité de 1/2" (13mm) et coupez au centre. Cela empêchera le joint d'étanchéité de s'effiloche.
- Placez l'extrémité du joint avec le ruban dans la cannelure, en vous assurant qu'elle est à égalité avec le côté de la porte (point de terminaison). Sans étirer ni comprimer le joint d'étanchéité, placez-le le long du haut, du côté et du bas des cannelures, par-dessus l'adhésif, comme illustré ci-dessus.
- Une fois l'application terminée, placez un morceau de ruban autour de l'autre extrémité du joint et coupez au centre, en vous assurant que le joint est à égalité avec le joint de terminaison, comme illustré ci-dessus.



INSTRUCTIONS D'INSTALLATION POUR LA PORTE DU CÔTÉ GAUCHE:

- Retirez le joint d'étanchéité endommagé.
- Appliquez un mince cordon d'adhésif (de la silicone rouge à haute température [RTV] ou du ciment à joint pour poêle à bois) le long du haut, des côtés et du bas des cannelures de porte. L'adhésif doit suivre le même parcours que le joint d'étanchéité, comme illustré.
- Placez un morceau de ruban autour d'une extrémité du joint d'étanchéité de 1/2" (13mm) et coupez au centre. Cela empêchera le joint de s'effiloche.
- Placez l'extrémité du joint avec le ruban au centre de la cannelure dans le bas de la porte. Sans étirer ni comprimer le joint d'étanchéité, placez-le dans la cannelure en une boucle continue, par-dessus l'adhésif, comme illustré.



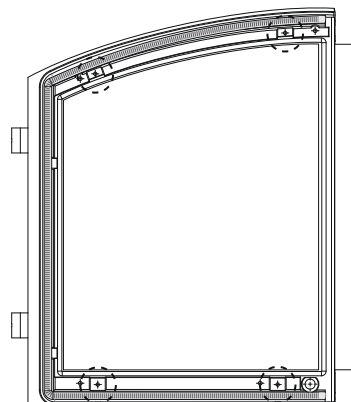
Une fois l'application terminée, placez un morceau de ruban autour de l'autre extrémité du joint et coupez au centre comme illustré.

9.7 remplacement du verre

⚠ AVERTISSEMENT

- Faite attention lorsque vous retirez et disposez de verre cassé ou des composants endommagés parce qu'ils peuvent être pointu. Assurez-vous d'aspirer aucun de verre cassé de l'intérieur de l'appareil avant du fonctionnement.

- Retirez les 4 vis servant à fixer le verre en place, comme illustrées.
- Retirez aucun de verre cassé.
- Remplacez avec le verre nouveau et le joint d'étanchéité nouveau (non fourni) (voir la section « pièces de remplacement » pour les détails).
- Réinstallez les 4 vis afin de fixer le verre en place.

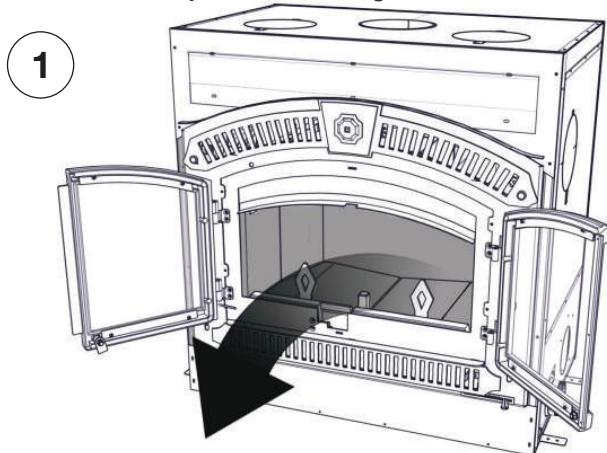


9.8 remplacement du joint d'étanchéité interne

⚠ AVERTISSEMENT

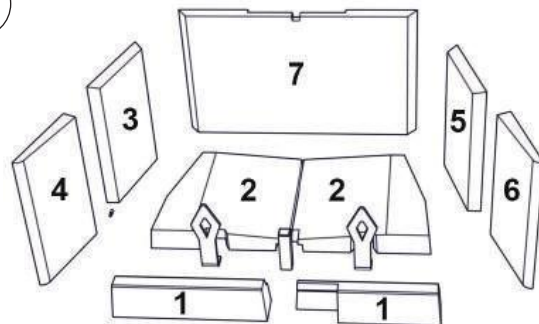
- Tous les composants internes sont lourds. Il est recommandé de fournir un soutien pour les composants nécessaires où lors de l'installation.

Nous recommandons de remplacer les joints d'étanchéité de votre appareil tous les 6 à 10 ans ou lorsque les émissions du foyer semblent augmenter.



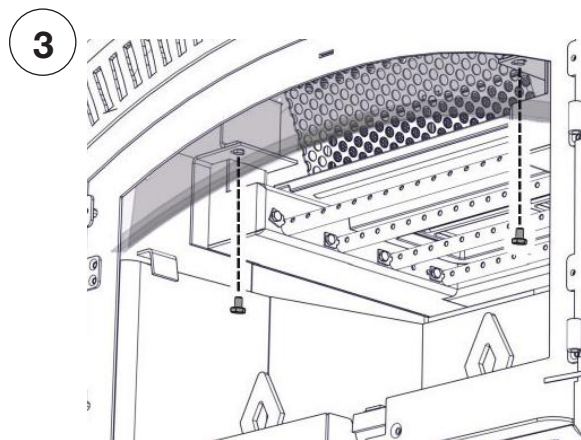
1

2

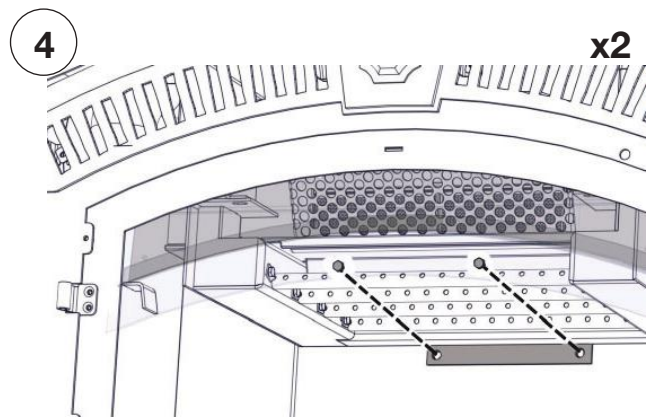


Retirez tous les panneaux en brique. Voir étape 2 pour l'ordre de l'enlèvement.

Retirez les briques en l'ordre illustré ci-dessus.



3

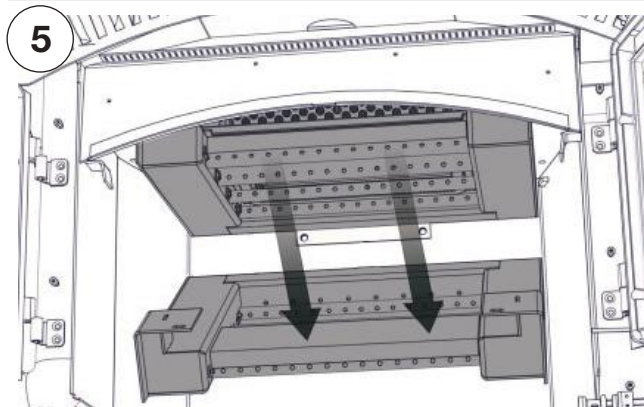


4

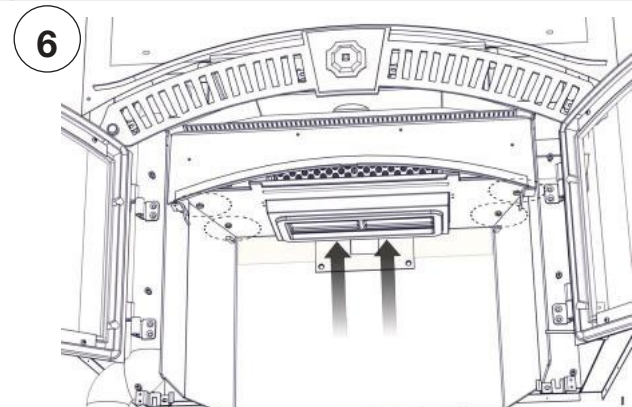
x2

Retirez les deux écrous et boulons comme illustré ci-dessus.

Retirez les deux boulons à l'arrière.



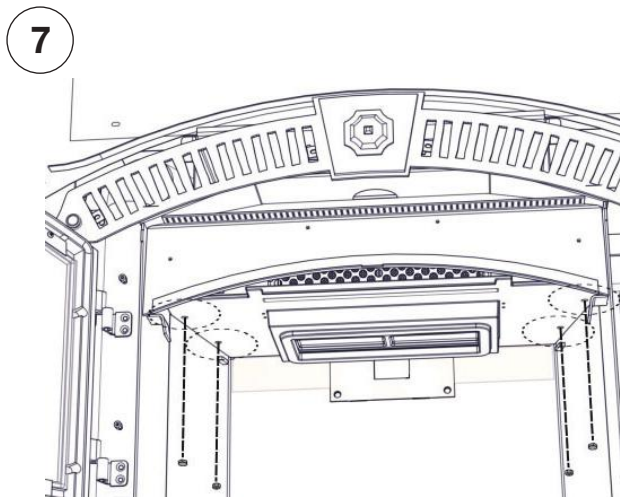
5



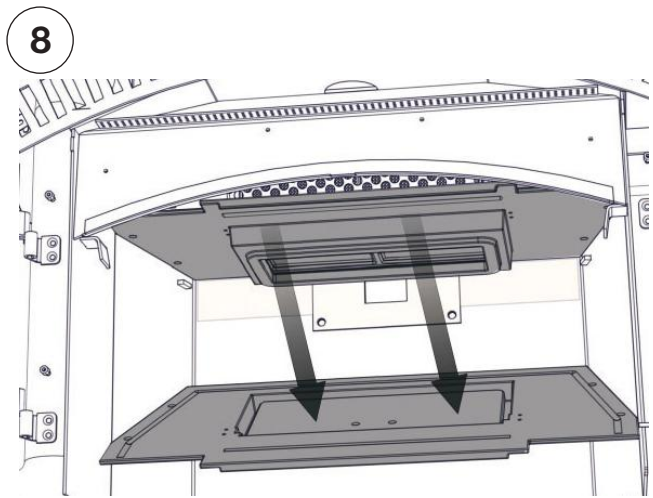
6

Retirez le collecteur d'air secondaire en le faisant glisser vers le bas et vers l'extérieur. Grattez le joint d'étanchéité de l'arrière puis nettoyez la surface. Fixez le nouveau joint d'étanchéité avec du silicone haute température (non fourni).

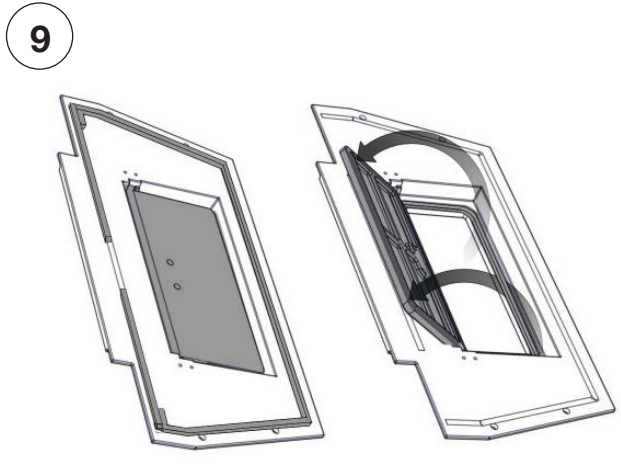
Accédez à travers l'ouverture de la porte de dérivation d'accéder les écrous.



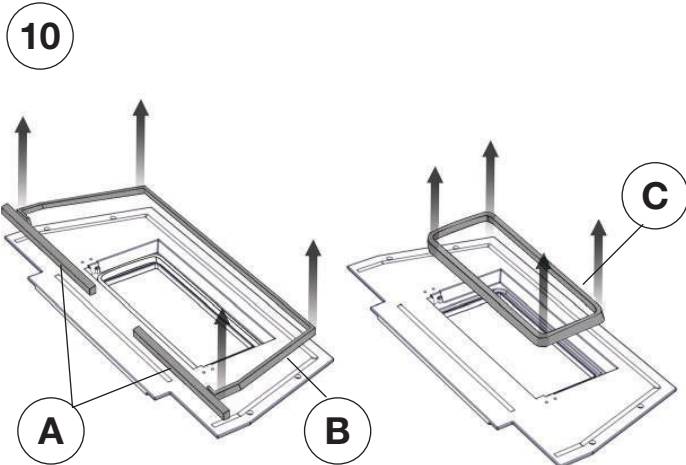
7 Retirez les écrous and boulons de chaque côté de l'appareil, tout en soutenant le déflecteur.



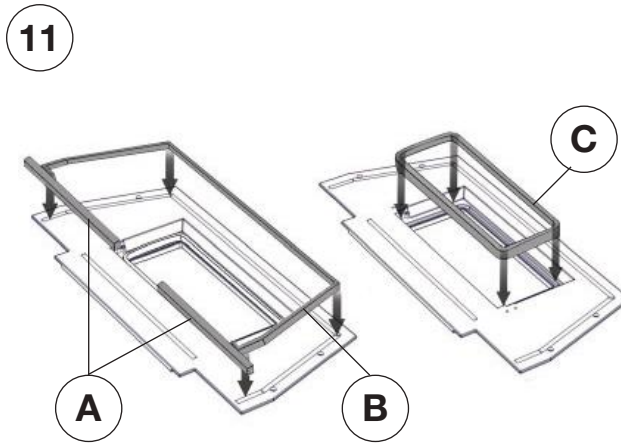
8 Abaissez le déflecteur.



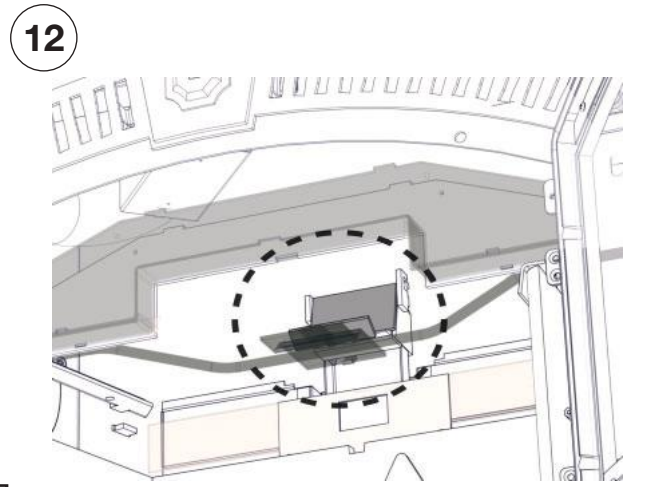
9 Ouvrez la porte du déflecteur.



10 Retirez les joints d'étanchéité A, B, et C.

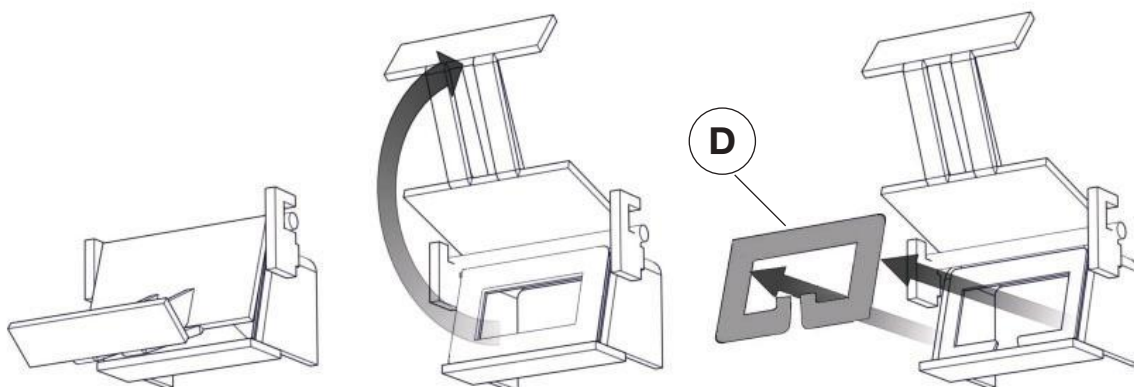


11 Remplacez les joints d'étanchéité A, B, et C. Fixez à l'aide de ciment de poêle (non fourni).



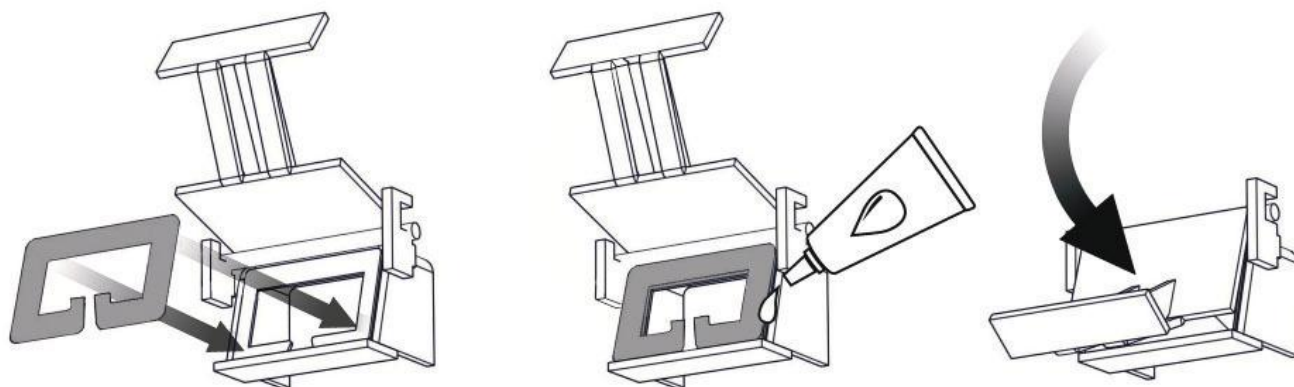
12 Localisez le joint d'étanchéité D.

13



Ouvrez la porte de dérivation et retirez le joint d'étanchéité.

14



Appliquez un nouveau joint d'étanchéité en utilisant le ciment de poêle (non fourni) pour le-sécuriser. Ceci est d'éviter l'effliochage des extrémité et de fixer le joint d'étanchéité dans la position de l'encoche.

15

Une fois que les nouveaux joints d'étanchéité soient installer, suivez les étapes 1 à 8 dans l'ordre inverse pour réinstaller les composants. Vérifiez le bon fonctionnement de la porte de dérivation.

9.9 soins du verre

! AVERTISSEMENT

- Ne pas nettoyer la vitre lorsqu'elle est chaude! N'employez pas de détergents abrasifs pour nettoyer la vitre.

Si vous ne nettoyez pas les dépôts régulièrement, la vitre risque de rester marquée en permanence. Normalement, un feu très chaud maintiendra la vitre propre. Les raisons les plus fréquentes pour lesquelles la vitre se salit sont:

- Trop peu de combustible est utilisé pour réchauffer suffisamment l'appareil.
- L'utilisation de bois vert ou humide.
- Le contrôle de combustion est trop fermé, créant une insuffisance d'air pour réaliser une combustion complète.

S'il est nécessaire de nettoyer la vitre, utilisez un linge doux avec un nettoyeur sans abrasif. Nettoyez la vitre avec un nettoyeur recommandé après les dix premières heures de fonctionnement. Par la suite, nettoyez aussi souvent qu'il le faudra.

La vitre est très résistante, mais ne laissez pas de bois en combustion s'appuyer contre elle. Fermez toujours la porte doucement.

NE FORCEZ JAMAIS POUR LA FERMER!

Ne pas faire fonctionner l'appareil avec la vitre brisée, les fuites de gaz de combustion peut résulter.

Contactez votre détaillant local autorisé pour les instructions de nettoyage complètes.

Si la vitre devait fissurer pendant que le feu brûle, n'ouvrez pas la porte jusqu'à ce que le feu s'éteigne et n'utilisez pas l'appareil jusqu'à ce que la vitre ait été remplacée par une nouvelle, disponible chez votre détaillant autorisé. **N'UTILISEZ PAS DE MATÉRIAUX SUBSTITUTS.**

L'appareil est muni d'une 5mm en verre céramique. Remplacez uniquement avec une pièce pour le foyer disponible chez votre détaillant autorisé. **N'UTILISEZ PAS DE MATÉRIAUX SUBSTITUTS.**



9.10 soins du catalyseur

! AVERTISSEMENT

- L'appareil de chauffage au bois comporte un catalyseur de postcombustion qui nécessite d'être inspecté régulièrement et remplacé périodiquement pour bien fonctionner. Ne pas faire fonctionner cet appareil au bois conformément aux directives d'utilisation présentées dans ce manuel constitue une violation des règlements fédéraux aux États-Unis, y compris le retrait ou la désactivation du catalyseur.

Une inspection périodique du catalyseur de postcombustion est nécessaire pour vous assurer du bon fonctionnement de l'appareil et pour déterminer le moment où le remplacement du catalyseur est requis. Le non-fonctionnement du catalyseur de postcombustion entraînera la formation de dépôts de créosote, une augmentation des émissions et une perte d'efficacité de la production de chaleur. Dans les conditions normales d'utilisation, un catalyseur de postcombustion fonctionne normalement pendant une période de six à dix années, selon la qualité et la quantité du bois brûlé.

9.11 soins des pièces plaquées

Si l'appareil est muni de pièces plaquées, vous devez enlever toutes traces de doigts ou autres marques des surfaces plaquées avant d'allumer l'appareil pour la première fois. Utilisez les nettoyeurs sans ammoniaque ou à base de vinaigre. Si la surface plaquée n'est pas bien nettoyée avant le premier allumage de l'appareil, elle risque de rester marquée en permanence. Une fois que la surface plaquée aura chauffé, les traces de doigts et le gras n'affecteront plus la surface et très peu d'entretien sera requis; vous n'aurez qu'à l'essuyer au besoin. Une combustion prolongée à haute température avec la porte ouverte peut causer une décoloration des pièces plaquées.

note:

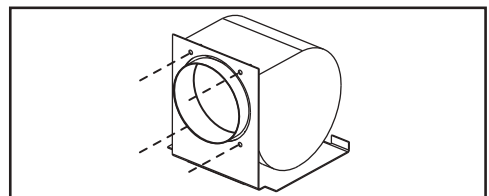
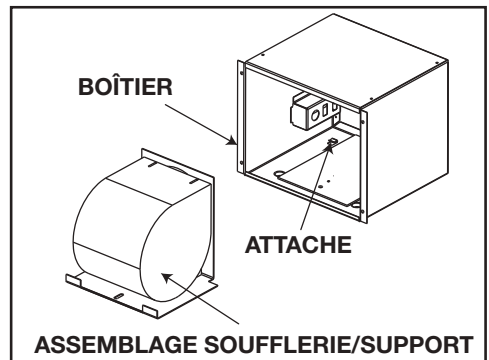
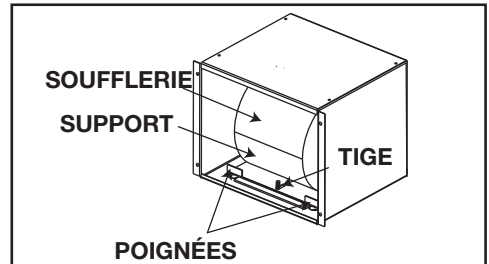
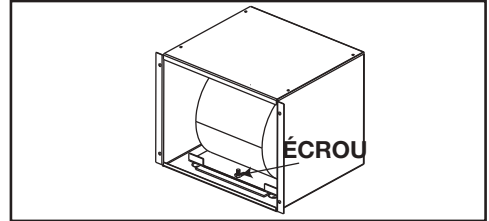
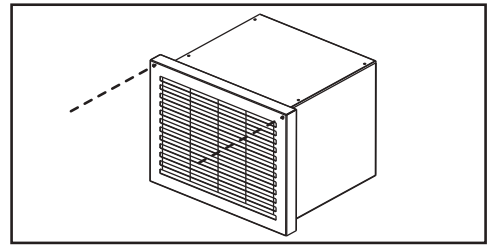
L'emballage de protection sur les pièces plaquées s'enlève mieux lorsque l'assemblage est à température ambiante ou lorsqu'il est chauffé (c.à.d. avec un séchoir à cheveux ou une autre source de chaleur similaire).

entretien

FR

9.12 remplacement de la soufflerie NZ64

- A. Retirez la grille et le filtre en enlevant les 2 vis.
- B. Retirez l'écrou servant à fixer le support de la soufflerie au boîtier.
- C. Soulevez les poignées afin de retirer la soufflerie et le support de la tige filetée.
- D. Glissez le support et la soufflerie hors du boîtier.
- E. Débranchez le connecteur de la soufflerie.
- F. Retirez l'ancienne soufflerie du support en enlevant les 4 vis.
- G. Fixez la nouvelle soufflerie au support existant à l'aide des 4 vis.
- H. Glissez la nouvelle assemblage de la soufflerie/du support dans le boîtier. Assurez-vous que le support de la soufflerie s'insère dans les attaches situées à l'arrière, de chaque côté du boîtier.
- I. Enfoncez l'assemblage aussi loin que possible dans le boîtier.
- J. Fixez l'assemblage au boîtier à l'aide de l'écrou retiré à l'étape B.
- K. Fixez à nouveau la grille en réinstallant les 2 vis.



AVERTISSEMENT

- Omettre de positionner les pièces conformément à ce manuel ou d'utiliser uniquement des pièces spécifiquement approuvées pour cet appareil peut causer des dommages matériels ou des blessures corporelles.

Contactez votre détaillant pour les questions concernant les prix et la disponibilité des pièces de remplacement. Normalement, toutes les pièces peuvent être commandées chez votre détaillant autorisé.

Pour un remplacement de pièce sous garantie, une photocopie de la facture originale sera requise afin de pouvoir honorer la demande.

Lorsque vous commandez des pièces, donnez toujours l'information suivante:

- Modèle et numéro de série de l'appareil
- Date d'installation de l'appareil
- Numéro de la pièce
- Description de la pièce
- Fini

Pièces, numéro des pièces et s'il soit disponible peut changer sans préavis.

Parties identifiées comme garnie seront livrés dans 2 à 5 jours pour la plupart des destinations de livraison.

Pièces non identifiées que stockés seront livrés dans un délai de 2 à 4 semaines pour la plupart des cas.

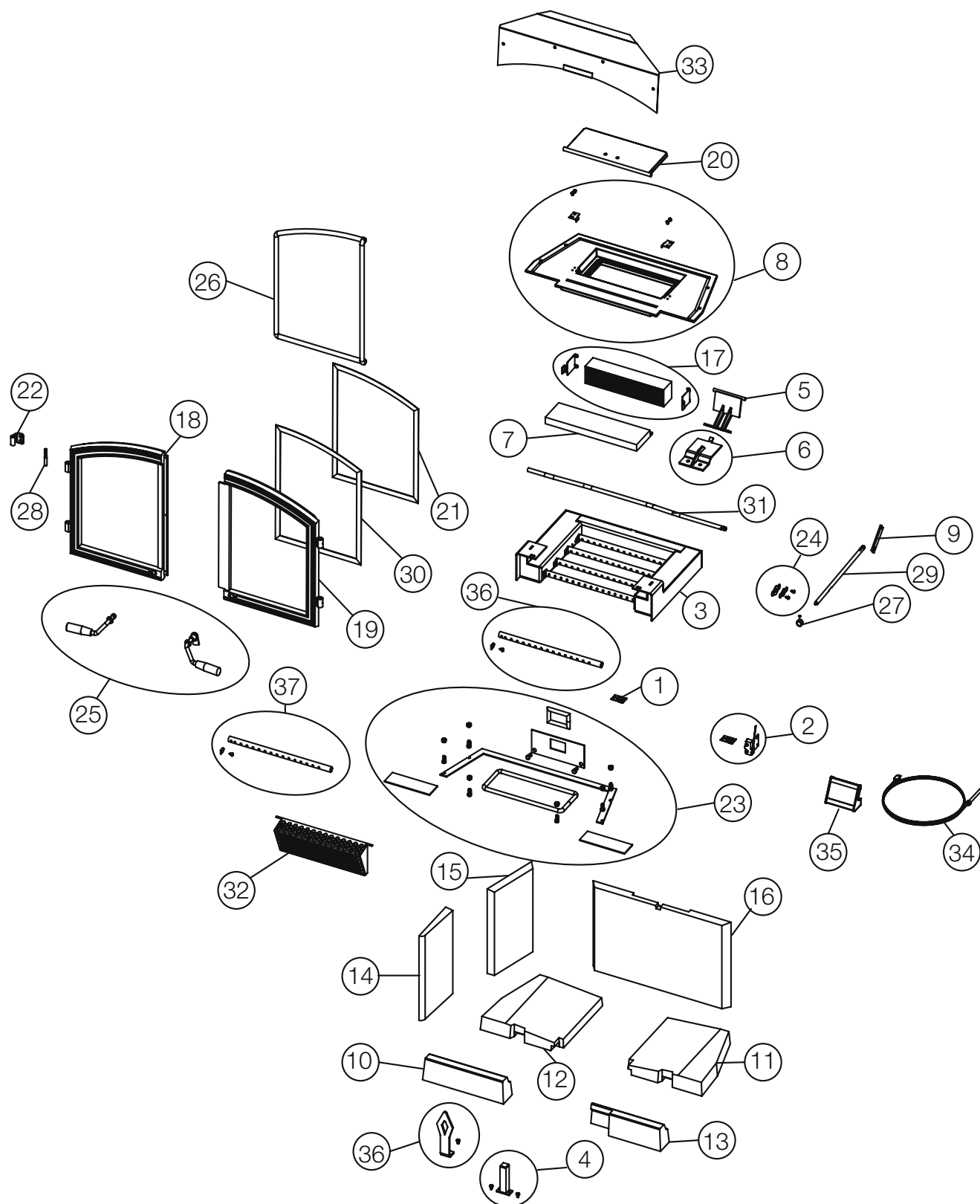
Pièces identifiées comme « SO » sont commande spéciale et peuvent prendre jusqu'à 90 jours pour la livraison.

10.1 vue d'ensemble

Réf.	No. de Pièce	Description	En Stock	Réf.	No. de Pièce	Description	En Stock
1	W010-1854	Assemblage de Support de Sonde		19	W370-0084	Porte en Fonte (côté droit) WI	
2	W010-4752	Assemblage de Harnais de Fils	Oui	20	W225-0370	Porte de Dérivation en Fonte	
3	W010-4742	Assemblage d'Air Secondaire	Oui	21	W300-0134-SER	Vitre de Porte (avec Joint d'Étanchéité)	Oui
4	W010-4741	Assemblage de Tube de Veilleuse	Oui	22	W330-0072	Charnière de la Porte	Oui
5	W010-4313	Assemblage de Porte d'Air de Dilution		23	W370-0075	Quincaillerie pour Joint de Caisson	Oui
6	W010-4312	Support de Porte de Dérivation		24	W370-0076	Ensemble pour Axe de Porte de Dérivation	Oui
7	W018-0183	Défecteur en Fibre	Oui	25	W370-0077	Poignée de Porte en Fonte WI	Oui
8	W035-0417-SER	Base de Défecteur en Fonte		25	W370-0078	Poignée de Porte en Fonte BK	Oui
9	W080-1637	Support de Tige		26	W370-0079	Joint d'Étanchéité - Cordon 1/2" de Dia.	Oui
10	W090-0146	Brique Avant Gauche	Oui	27	W380-0031BK-SER	Assemblage de Poignée Noire	
11	W090-0150	Brique de Plancher (côté droit)	Oui	27	W380-0031W-SER	Assemblage de Poignée Fer Forgé	
12	W090-0151	Brique de Plancher (côté gauche)	Oui	28	W485-0043	Tige	
13	W090-0321	Brique Avant Droite	Oui	29	W555-0097	Tige d'Ouverture de la Porte de Dérivation	
14	W090-0310	Brique Avant Droite	Oui	30	W562-0004-SER	Joint d'Étanchéité, Rainure de 3/4"	Oui
15	W090-0311	Brique Latérale	Oui	31	W580-0013	Axe d'Ouverture de Porte de Dérivation	
16	W090-0312	Brique Arrière	Oui	32	W585-0853	Écran de Catalyseur	
17	W137-0003-SER	Catalyseur de Rechange	Oui	33	W585-0870	Écran de Système Autonettoyant	
18	W370-0081	Porte en Fonte (côté gauche) BK		34	W685-0002	Kit de Moniteur de Température de Catalyseur	
18	W370-0083	Porte en Fonte (côté gauche) WI		35	W715-0773-SER	Borne de Chenet	
19	W370-0082	Porte en Fonte (côté droit) BK		36	W720-0197	Tuyau d'Air Secondaire Inférieur	Oui
				37	W720-0198	Tuyau d'Air Secondaire Inférieur	Oui

pièces de rechange

FR



Ces articles peuvent différer de ceux illustrés.

11.1 dépannage générale

symptôme	problème	solution
La fumée se répand dans la pièce durant l'allumage	Blocage d'air froid dans la cheminée	Brûlez un morceau de papier journal pour créer un tirage.
	Les portes sont fermées.	Si le feu ne reçoit pas suffisamment d'air, assurez-vous d'abord que le levier du contrôle de combustion est ouvert. Si plus d'air est nécessaire, ouvrez les portes légèrement, l'équivalent d'une petite fente seulement.
	Dérivation fermé.	Ouvrez la dérivation.
Le bois d'allumage ne s'allume pas - le feu couve.	Blocage d'air froid dans la cheminée.	Brûlez un morceau de papier journal pour créer un tirage.
	Pas assez de papier journal.	Au besoin, utilisez plus de papier journal.
	Pas assez d'air.	Assurez-vous d'abord que le levier du contrôle de combustion soit complètement ouvert. Si plus d'air est nécessaire, ouvrez les portes légèrement, l'équivalent d'une petite pente seulement.
	Dérivation fermé.	Ouvrez la dérivation.
La fumée se répand dans la pièce lors du rechargement.	Tirage insuffisant.	L'hauteur de la cheminée est les conditions extérieures peuvent nuire au tirage. Dans ces cas, il est possible qu'une petite quantité de fumée puisse refouler dans la maison. Augmentez la hauteur de la cheminée ou ajoutez un chapeau à tirage induit peut aider. Nettoyez la cheminée.
	Dérivation fermé.	Ouvrez la dérivation.
L'appareil ne devient pas suffisamment chaud.	Le bois est humide.	Voir la section « sélection du bois » pour plus de détails.
	Tirage insuffisant.	L'hauteur de la cheminée et les conditions extérieures peuvent nuire au tirage. Dans ces cas, il est possible qu'une petite quantité de fumée puisse refouler dans la maison. Augmentez la hauteur de la cheminée ou ajoutez un chapeau à tirage induit peut aider. Nettoyez la cheminée.
	Le levier du contrôle de combustion n'est pas complètement ouvert.	Assurez-vous que le levier du contrôle de combustion soit complètement ouvert. Glissez le levier du contrôle de combustion rapidement en un mouvement de va-et-vient pour vous assurer qu'il n'est pas bloqué.
	La catalyseur ne fonctionnent pas à température optimale.	Voir la section « guide de dépannage de la catalyseur ».
La soufflerie ne fonctionne pas.	L'appareil n'est pas encore atteint la température nécessaire.	Ceci est normal. La soufflerie s'allumera lorsque l'appareil sera chaud.
	Pas de courant électrique à la soufflerie.	Vérifiez si le disjoncteur ou le fusible est en fonction.
	La porte est entrouverte.	La porte doit être fermer pour l'opération de la soufflerie.
La façade est froide.	Ceci est normal.	L'air qui pénètre dans la chambre de combustion pourrait provenir de l'extérieur. Dans ce cas, l'air entre dans la chambre de combustion et s'évacue par la cheminée. Ceci n'endommagera pas l'appareil.
L'appareil ne brûle pas durant toute la nuit.	Les portes ne sont pas étanches.	Voir la section « remplacement de la vitre et du joint d'étanchéité » pour plus de détails.
	Dérivation ouverte / pas d'étanchéité.	Fermez la dérivation. Vérifiez le joint d'étanchéité.

guide de dépannage

FR

Le poêle offre un rendement médiocre.

Le système de combustion est bouché.

Remplacez le système de combustion.

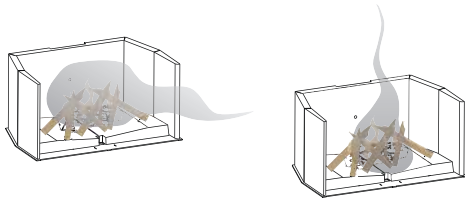
Brûler des matériaux qui produisent beaucoup de charbon et de cendres.

Retirez le matériel usagé et remplacez-le par un bois séché de qualité sèche à l'air.

Le fait de brûler du bois vert ou humide ou une grande quantité de bois de petite dimension alors que le catalyseur.

Retirez les petites quantités de petit bois mouillées ou non assaisonnées et remplacez-les par du bois séché de qualité, séché à l'air. Vérifiez avec l'humidimètre pour vous assurer que le bois a une teneur en eau maximale de 20%.

Appareil fume.



Est-ce que la cheminée a pu se réchauffer suffisamment?

Est-ce que'il y a suffisamment d'air comburant?

Est-ce que le registre d'air extérieur est ouvert?

Est-ce que le passage de la fumée est bloqué soit dans la cheminée soit dans l'appareil?

Est-ce que le tirage de la fumée est restreint par un tuyau horizontal trop long ou par un trop grand nombre de coudes?

Est-ce que le manque de tirage est causé par une cheminée non hermétique, une cheminée extérieure froide, une cheminée trop court ou trop près des arbres, ou d'un toit plus élevé?

Le tige de dérivation est fermer lorsque la porte est ouverte.

11.2 guide de dépannage du catalyseur

symptôme	problème	solutions
Effritement de catalyseur 	Catalyseur échoué	- Remplacez le catalyseur.
	Choc thermique extrême	- Évitez que l'appareil devienne chaud ou qu'il refroidisse trop rapidement.
	Alimentation du feu avec du bois non séché	- Faites brûler du bois séché.
	Tirage extrêmement puissante	- Assurez-vous que les portes avant sont fermées et hermétiques. - Installez le registre de tirage manuel.
Crackina Thermique 	Catalyseur échoué	- Remplacez le catalyseur.
	Température accidenté dans catalyseur	- Assurez-vous que le feu est réparti uniformément dans le foyer.
Cracking Mécanique 	Catalyseur échoué	- Remplacez le catalyseur.
	Surchauffe de l'appareil	- Assurez-vous que les portes avant sont fermées et scellées. - Ne faites pas fonctionner l'appareil à haute température pendant de longues périodes.
Bouchage  <p>Créosote</p>  <p>Cendre Volante</p>	Dépôts excessifs de créosote ou de cendre volante.	- Nettoyez les cellules obstruées. - Faites brûler du bois séché seulement. - Faites fonctionner le catalyseur uniquement lorsqu'il a atteint sa température de démarrage.
	La température de démarrage du catalyseur postcombustion n'est pas atteinte.	- Nettoyez les cellules obstruées. - Faites fonctionner le catalyseur uniquement lorsqu'il a atteint sa température de démarrage.
Masquage 	La température de démarrage du catalyseur postcombustion n'est pas atteinte.	- Nettoyez les cellules ayant des dépôts. - Faites fonctionner le catalyseur uniquement lorsqu'il a atteint sa température de démarrage.
	Combustion de matières qui créent beaucoup de cendre volante (p. ex., du carton).	- Nettoyez les cellules ayant des dépôts. - Brûlez du bois séché seulement. Évitez de faire brûler des déchets, des produits pétroliers ou des rebuts de papier.

* Images pour le Catalyst Dépannage ont été fournis par Firecat Catalyst Combustors (Applied Ceramics Inc.)

12.0 garantie

FR

Les produits **Napoléon** sont fabriqués conformément aux normes strictes du Système de Gestion de la Qualité mondialement reconnu ISO 9001 : 2015.

Les produits **Napoléon** sont conçus avec des composants et des matériaux de qualité supérieure, assemblés par des artisans qualifiés qui sont fiers de leur travail. Une fois assemblé, chaque appareil est soigneusement inspecté par un technicien qualifié avant d'être emballé pour garantir que vous, le client, recevez le produit de qualité dont vous vous attendez de **Napoléon**.

Garantie à Vie Limitée du Président des appareils à bois Napoléon

Les matériaux suivants et la fabrication de votre nouveau poêle à bois **Napoléon** sont garantis contre les défauts tant que vous en êtes le propriétaire. Pour les appareils aux granules ceci couvre: le réservoir à granules, le caisson extérieur, la vitre en céramique (cassure thermique seulement) et le tiroir à cendres.* Pour les appareils à bois ceci couvre: la chambre de combustion, l'échangeur de chaleur, l'attache du déflecteur en acier inoxydable, la vitre en céramique (cassure thermique seulement), les pièces plaquées or contre le ternissement, les composants en porcelaine émaillée, les moules d'extrusion en aluminium, déflecteurs vortex, le tiroir à cendres et les pièces moulées en fonte.*

Pour l'appareil aux granules la chambre de combustion et l'échangeur de chaleur sont garantis contre les défauts pour une période de 5ans.

Pour les appareils à bois équipée avec une système de guillotine du porte/écran il sera garanti contre les défauts pour une période de 5ans.

Les composants électriques (110V) et les pièces soumises à l'usure sont couverts et **Napoléon** fournira gratuitement les pièces de rechange durant la première année de la garantie limitée. Pour les appareils aux granules ceci couvre: la soufflerie, l'interrupteur thermique et le tiroir à cendres.* Pour les appareils à bois ceci couvre: la soufflerie, l'interrupteur thermique, les interrupteurs, l'installation électrique, les briques réfractaires, tuyaux d'air secondaires et les joints d'étanchéité.*

Les coûts de main-d'oeuvre relatifs aux réparations garanties sont couverts gratuitement durant la première année, avec l'exception du système de guillotine du porte/écran qui sera couverts gratuitement pour une période de 3 ans. Cependant, les travaux de réparation nécessitent l'approbation préalable d'un représentant autorisé de la compagnie. Les coûts de main-d'oeuvre à la charge de **Napoléon** sont basés sur un programme de tarifs prédéterminés et tout travail de réparation doit être accompli par l'entremise d'un détaillant autorisé **Napoléon**.

Les pièces telles que les briques réfractaires et les déflecteurs devraient être retirées occasionnellement par l'opérateur dans le cadre d'un entretien normal. Par conséquent, les coûts de main-d'oeuvre associés au remplacement de l'une de ces pièces ne sont pas couverts par la garantie.

* La fabrication de chaque modèle varie. La garantie s'applique uniquement aux composants disponibles avec votre appareil.

Conditions et Limitations

Napoléon garantit ses produits contre les défauts de fabrication à l'acheteur d'origine seulement. L'enregistrement de la garantie n'est pas nécessaire. Fournissez simplement une preuve d'achat ainsi que le modèle et le numéro de série afin d'effectuer une réclamation de garantie. L'achat doit avoir été fait par l'entremise d'un détaillant **Napoléon** autorisé et sous réserve des conditions et limitations suivantes:

La couverture de la garantie débute à partir de la date d'installation originale.

Cette garantie du fabricant n'est pas transférable et ne peut être prolongée ou étendue par aucun de nos représentants quelle qu'en soit la raison.

L'appareil à bois doit être installé par un installateur autorisé qualifié, une agence de service ou fournisseur. L'installation doit être faite conformément aux instructions d'installation incluses avec le produit et à tous les codes d'incendie et de construction locaux et nationaux.

Cette garantie limitée ne couvre pas les dommages causés par un mauvais usage, un manque d'entretien, un accident, des altérations, des abus ou de la négligence, et l'installation de pièces d'autres fabricants annulera cette garantie.

Cette garantie limitée ne couvre pas les dommages causés par un mauvais usage, un manque d'entretien, un accident, des altérations, des abus ou de la négligence, et l'installation de pièces d'autres fabricants annulera cette garantie.

Faire fonctionner l'appareil au réglage maximal pendant des périodes prolongées constitue de la négligence. L'installation de pièces d'autres fabricants annulera cette garantie.

Cette garantie limitée ne couvre pas non plus les égratignures, le bossellement, la corrosion ou la décoloration causée par une chaleur excessive, des produits d'entretien chimiques et abrasifs ou l'écaillage des pièces en porcelaine émaillée, le bris de tout composant de ventilation utilisé dans l'installation de l'appareil.

Au cours de la première année seulement, cette garantie s'étend à la réparation ou au remplacement des pièces garanties dont les matériaux ou la fabrication sont défectueux sous condition que le produit ait été utilisé conformément aux instructions de fonctionnement et dans des conditions normales.

Après la première année, concernant cette Garantie à Vie Limitée du Président, **Napoléon** peut, à sa discrétion, se libérer entièrement de toutes obligations en ce qui concerne cette garantie en remboursant à l'acheteur d'origine le prix de gros de toute pièce garantie qui est défectueuse.

Après la première année, **Napoléon** ne sera pas responsable de l'installation, de la main-d'oeuvre ou autres coûts ou dépenses relatives à la réinstallation d'une pièce garantie et de telles dépenses ne sont pas couvertes par cette garantie.

Nonobstant toutes les dispositions contenues dans cette Garantie à Vie Limitée du Président, la responsabilité de **Napoléon** sous cette garantie est définie comme ci-dessus et elle ne s'étendra à aucun dommage accidentel consécutif ou indirect.

Cette garantie définit l'obligation et la responsabilité de **Napoléon** en ce qui concerne l'appareil à bois **Napoléon**. Toute autre garantie énoncée ou implicite en ce qui concerne ce produit, ses composants ou accessoires est exclue.

Napoléon n'endosse ni n'autorise aucun tiers à assumer en son nom toute autre responsabilité concernant la vente de ce produit. **Napoléon** ne sera pas responsable d'une surchauffe, des refoulements, des déversements causés par des conditions environnementales telles que des toits, des bâtiments, la proximité d'arbres, de collines, de montagnes, une ventilation ou des événements inadéquats, des configurations d'évacuation excessives, un apport d'air insuffisant ou des pressions négatives qui peuvent ou non être causés par des systèmes mécaniques tels que les ventilateurs d'évacuation, les fournaies, les sèche-linge, etc.

Tout dommage causé à l'appareil, à la chambre de combustion, à l'échangeur de chaleur, aux garnitures plaquées ou autres composants par l'eau, les dommages causés par les intempéries, de longues périodes d'humidité, la condensation, des produits chimiques ou produits d'entretien nuisibles ne seront pas la responsabilité de **Napoléon**.

Le nettoyage régulier de la fine cendre générée durant le fonctionnement de cet appareil est nécessaire au bon entretien de votre appareil aux granules. Tout dommage aux composantes qui est attribuable à un manque d'entretien ne sera pas couvert par cette garantie.

Napoléon se réserve le droit de demander à son représentant d'inspecter tout produit ou pièce avant d'honorer toute réclamation.

Toutes les pièces remplacées en vertu de la politique de Garantie à vie limitée du Président ne peuvent faire l'objet que d'une seule réclamation.

Durant les dix premières années, **Napoléon** remplacera ou réparera les pièces défectueuses qui sont couvertes par la garantie à vie limitée à sa discrétion gratuitement. Après les dix premières années, **Napoléon** fournira les pièces de rechange à 50 % du prix de détail courant.

Toutes les pièces remplacées au titre de la garantie seront couvertes pour une période de 90 jours à partir de leur date d'installation.

Le fabricant peut exiger que les pièces défectueuses ou les produits soient retournés ou que des photos numériques soient fournies pour valider la réclamation. Les produits retournés doivent être expédiés port payé au fabricant pour une inspection en usine. Si un produit est déclaré défectueux, le fabricant le réparera ou le remplacera.

Avant d'expédier votre appareil ou les pièces défectueuses, votre détaillant doit obtenir un numéro d'autorisation. Toute marchandise expédiée à notre usine sans autorisation sera refusée et retournée à l'expéditeur.

Les coûts d'expédition ne sont pas couverts par cette garantie.

Des frais de service supplémentaires peuvent être appliqués si vous cherchez à obtenir des services au titre de la garantie auprès d'un détaillant.

Les indemnités de main-d'oeuvre au titre de la garantie s'appliquent uniquement pour le remplacement d'une pièce garantie. Les frais de déplacement, de tests de diagnostic, d'expédition et autres frais afférents ne sont pas couverts par cette garantie.

Toutes les spécifications et les conceptions sont sujet à modifications sans préavis en raison des améliorations constantes apportées aux produit.

Napoléon est une marque de commerce déposée de Wolf Steel Ltée.

GARANTIE LIMITÉE COMBUSTION CATALYTIQUE

Le catalyseur est couvert par une garantie limitée de six ans. Durant les trois premières années, la garantie couvre un seul remplacement de catalyseur défectueux par appareil. Après ces trois années, si le remplacement du catalyseur est nécessaire, la garantie limitée couvrira les frais conformément aux modalités suivantes :

4e année	60% du prix de détail
5e année	40% du prix de détail
6e année	20% du prix de détail
7e année	0% du prix de détail

Les coûts de main-d'œuvre associés au remplacement du catalyseur ne sont pas couverts par la garantie.

Pour être admissible à la garantie limitée, le catalyseur défectueux doit être retourné à Wolf Steel Itée et les renseignements suivants doivent être fournis.

1. Votre nom, adresse, numéro de téléphone et courriel.
2. Une copie de la facture originale de l'achat de l'appareil.

Toutes les réclamations doivent être envoyées à un détaillant Napoléon autorisé.

Domages à la combustion catalytique dû à une mauvaise manipulation lors de l'enlèvement, nettoyage, ou l'inspection n'est pas couvert. Dégradation dû à la combustion de n'importe quoi autre que le bois naturel cordon n'est pas couvert. Brûler tous les liquides, combustibles et/ou matériaux qui été mentionné tout au long de ce manuel, mais ils sont pas limité à cette liste, annulera la garantie. Ces éléments provoquera la combustion catalytique à devenir désactivé.

NAPOLÉON CÉLÈBRE PLUS DE 40 ANS D'EXISTENCE CONSACRÉS À LA CONCEPTION DE PRODUITS DE CONFORT



7200, Route Transcanadienne, Montréal, Québec H4T 1A3
24 Napoleon Road, Barrie, Ontario, Canada L4M 0G8
214 Bayview Drive, Barrie, Ontario, Canada L4N 4Y8
103 Miller Drive, Crittenden, Kentucky, USA 41030
De Riemsdijk 22, 4004 LC Tiel, Pays-Bas

Téléphone: 1-866-820-8686

napoleon.com