



Mont Alpi<sup>TM</sup>

Peak Performance



# THE MONT ALPI STORY

At Mont Alpi, we are committed to empowering outdoor cooks of all levels to achieve their culinary goals. Driven by a passion for outdoor cooking, we design and craft innovative, high quality grills that make it easy to create delicious meals that impress friends and family.

As a family-run business with over 45 years of experience in the grilling industry, we understand the importance of crafting durable and expertly designed grills to ensure peak performance. That's why we created a range of modular, 'plug-and-play' outdoor kitchen islands and grills that deliver outstanding cooking experiences. With

our expanded range of products, you can find the perfect configuration to fit your outdoor setting.

We're more than just a grill manufacturer; we're a community of enthusiasts dedicated to supporting and guiding our customers every step of the way. Whether you have a question about one of our products or need some grilling advice, we are always here to help.

With Mont Alpi Grills, effortless outdoor cooking and masterful meals are just a grill away. Making you the peak performing outdoor chef of your neighborhood.

## CONTENTS

### MONT ALPI DELUXE SERIES

- p4 MAi805-D Series Specifications
- p5 MAi805-D Series 6-Burner Setup Options
- p6 MAi400-D Series Specifications
- p7 MAi400-D Series 4-Burner Setup Options

### MONT ALPI ORIGINAL SERIES

- p8 MAi805 Series Specifications
- p9 MAi805 Series 6-Burner Setup Options

### MONT ALPI BLACK STAINLESS-STEEL

- P10 MAi805-BSS Series Specifications
- p11 MAi805-BSS Series 6-Burner Setup Options
- P12 MA-957 Black Stainless Steel Island
- P13 S-470 Black Stainless-Steel Cart

### MONT ALPI BUILT-IN GRILLS

- p14 MABi805 Built-in 6-Burner
- p15 MABi400 Built-in 4-Burner

### MONT ALPI REFRIGERATION

- p16 Mont Alpi Keg Center
- p18 Mont Alpi Beverage Centers
- p20 Mont Alpi Refrigerator Modules

### MONT ALPI PORTABLES & PIZZA

- p21 Mont Alpi Pizza Oven
- Mont Alpi 3-in-1 Grill

### MONT ALPI ACCESSORIES

- p22 Grill Covers
- P23 Other Accessories

### MONT ALPI CUSTOMER SUPPORT

- p24 Customer Support
- Warranties

Experience the Peak Performance and  
Epitome of Deluxe Outdoor Grilling with the  
**MontAlpi™ MAi805-D SERIES**



MAi805-D90FC

**MAi805-D 6-BURNER SPECIFICATIONS**

- 115,000 BTU Heat Output
- Cooking surface 38"x18" (exc. Warming rack)
- All 304 Stainless Steel components:
  - Six 304 Stainless Steel Burners
  - 8mm 304 Stainless Steel Cooking Grills
  - Warming Rack 304 Stainless Steel
- Ceramic infrared rear and side burners
- Rotisserie Kit with Electric Motor
- Easy access Full Front Grease Tray
- Composite Granite Surfaces and Sides (White)
- Two Cooking Surface Halogen Lights
- Bottle Opener
- Weather Cover
- Electronic Ignition
- Temperature Gauge
- Granite Chopping Board
- On/Off red/blue changing color control knob lights
- Large Roller Ball Drawers
- Gliding Rubber Castor Wheels and Leveling Feet
- Propane Ready, easily Convertible to Natural Gas
- - Propane Hose and Regulator
- - Propane Tank Pull Out
- **ARRIVES ASSEMBLED @94"x23"x35" (46" for grill top)**



**MAi805-D SERIES  
6-BURNER SETUP OPTIONS**



MAi805-D



MAi805-D45C



MAi805-D45FC



MAi805-D90C



MAi805-D90BEV



MAi805-D90BEVFC



MAi805-DBEV



MAi805-DBEVFC



MAi805-DFC

Experience all the power you need to cook your meals to perfection with the **MontAlpi™ MAi400-D SERIES**



MAi400-DFC

**MAi400-D 4-BURNER SPECIFICATIONS**

- 78,000 BTU Heat Output
- Cooking surface 28"x18" (exc. Warming rack)
- All 304 Stainless Steel components-
  - Four 304 Stainless Steel Burners
  - 8mm 304 Stainless Steel Cooking Grills
  - Warming Rack 304 Stainless Steel
- Ceramic infrared rear and side burners
- Two Cooking Surface Halogen Lights
- Rotisserie Kit with Electric Motor
- Composite Granite Surfaces and Sides (White)
- Bottle Opener
- Weather Cover
- Temperature Gauge
- Electronic Ignition
- Granite Chopping Board
- Large Roller Ball Drawers
- On/Off red/blue changing color control knob lights
- Gliding Rubber Castor Wheels and Leveling Feet
- Propane Ready, easily Convertible to Natural Gas
- - Propane Hose and Regulator
- - Propane Tank Pull Out
- **ARRIVES ASSEMBLED @82"x23"x35" (46" for grill top)**



**MAi400-D SERIES  
4-BURNER SETUP OPTIONS**



MAi400-D45



MAi400-D45FC



MAi400-D90C



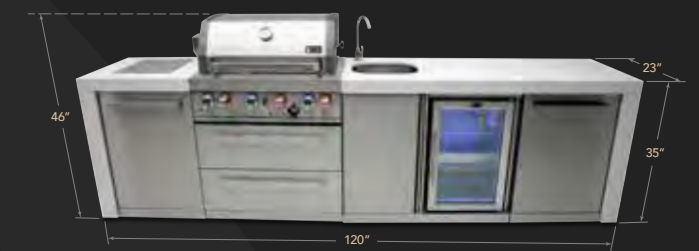
MAi400-D90FC



MAi400-D90BEV



MAi400-D90BEVFC



MAi400-DBEV



MAi400-DBEVFC



MAi400-D990KEGFC

Experience the quality and longevity of our original line of grills - where it all began

# Mont Alpi™ MAi805 SERIES



MAi805

## MAi805 6-BURNER SPECIFICATIONS

- 115,000 BTU Heat Output
- Cooking surface 38"x18" (exc. Warming rack)
- All 304 Stainless Steel components:
  - Six 304 Stainless Steel Burners
  - 8mm 304 Stainless Steel Cooking Grills
  - Warming Rack 304 Stainless Steel
- Electronic Ignition
- Ceramic infrared rear and side burners
- Easy access Full Front Grease Tray
- Composite Granite Surfaces and Sides (White)
- Two Cooking Surface Halogen Lights
- Bottle Opener
- Temperature Gauge
- Granite Chopping Board
- Large Roller Ball Drawers
- On/Off red/blue changing color control knob lights
- Gliding Rubber Castor Wheels and Leveling Feet
- Propane Ready, easily Convertible to Natural Gas
- - Propane Hose and Regulator
- - Propane Tank Pull Out
- ARRIVES ASSEMBLED @94"x23"x35" (46" for grill top)

*Option to add Weather Cover*

*Option to add a Rotisserie Kit / Electric Motor*



## MAi805 SERIES 6-BURNER SETUP OPTIONS



MAi805-45C



MAi805-90C



MAi805-90BEV



MAi805-BEV

The perfect combination of performance and luxury for those seeking a little extra opulence

# MontAlpi™ MAi805-BSS SERIES



MAi805-BSSBEV

**MAI805-BSS SERIES SPECIFICATIONS:**

- 115,000 BTU Heat Output
- Cooking surface 38"x18" (exc. Warming rack)
- All 304 Stainless Steel components
  - Six 304 stainless steel burners
  - 8mm 304 stainless steel cooking grills
  - Warming rack 304 stainless steel
- Electronic Ignition
- Ceramic infrared rear and side burners
- Rotisserie kit with electric motor
- Temperature Gauge
- Easy access Full Front Grease Tray
- Composite Granite Surfaces (White)
- Granite Chopping Board
- Bottle Opener
- Weather Cover
- Two Cooking Surface Halogen Lights
- On/Off red/blue changing color control knob lights
- Large Roller Ball Drawers
- Gliding Rubber Castor Wheels and Leveling Feet
- Propane Ready, easily Convertible to Natural Gas
  - Propane Hose and Regulator
  - Propane Tank Pull Out
- ARRIVES ASSEMBLED @94"x23"x35" (46" for grill top)



MAI805-BSS SERIES  
**6-BURNER SETUP OPTIONS**



MAi805-BSS



MAi805-BSSFC



MAi805-BSS45FC



MAi805-BSS90C



MAi805-BSS45C



MAi805-BSS90BEVFC



MAi805-BSS90BEV



MAi805-BSSBEVFC

The perfect combination of versatility and style

# Mont Alpi™ MA-957 BLACK STAINLESS STEEL ISLAND



MA-957



### MA-957 ISLAND SPECIFICATIONS:

- 63,000 BTU Heat Output
- Cooking surface 28"x18" (exc. Warming rack)
- 304 Stainless Steel components:
  - Four 304 stainless steel burners
  - 8mm 304 stainless steel cooking grills
  - Warming rack 304 stainless steel
- Electronic Ignition
- Ceramic infrared rear burner
- Rotisserie kit with electric motor
- Bottle Opener
- Temperature Gauge
- Full Weather Cover
- Two Cooking Surface Halogen Lights
- On/Off red/blue changing color control knob lights
- Gliding Rubber Castor Wheels and Leveling Feet
- Propane Ready, easily Convertible to Natural Gas
- - Propane Hose and Regulator
- ARRIVES ASSEMBLED @70"x24"x35" (46" for grill top)

# Mont Alpi™ S-470 BLACK STAINLESS STEEL CART



### S-470 SERIES SPECIFICATIONS:

- 78,000 BTU Heat Output
- Cooking surface 38"x18" (exc. Warming rack)
- All Stainless-Steel Components
  - Four 304 stainless steel burners
  - 8mm 304 stainless steel cooking grills
  - Warming rack 304 stainless steel
- Electronic Ignition
- Ceramic infrared rear and side burners
- Rotisserie kit with electric motor
- Temperature Gauge
- Easy access Full Front Grease Tray
- Granite Topped Side Shelves
- Bottle Opener
- Full Weather Cover
- Two Cooking Surface Halogen Lights
- On/Off red/blue changing color control knob lights
- Gliding Rubber Castor Wheels and Leveling Feet
- Propane Ready, easily Convertible to Natural Gas
- - Propane Hose and Regulator
- ARRIVES ASSEMBLED @56"x24"x35" (46" for grill top)

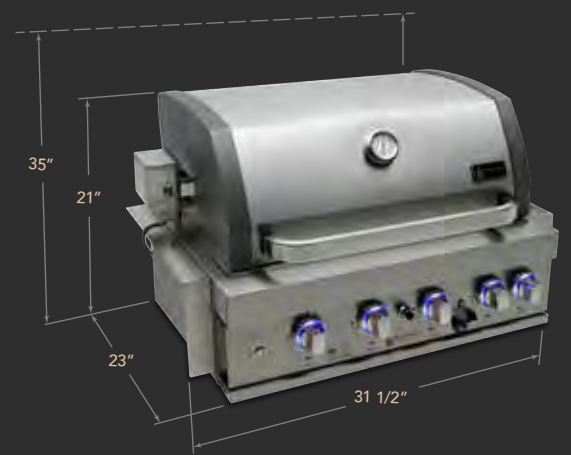
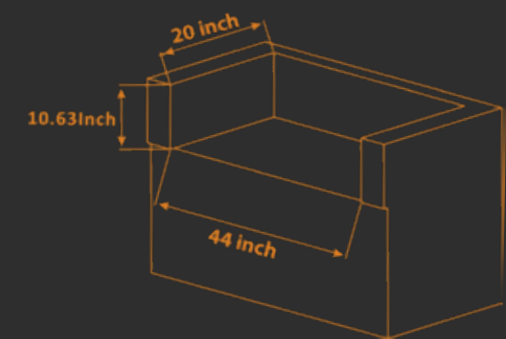


MABi400



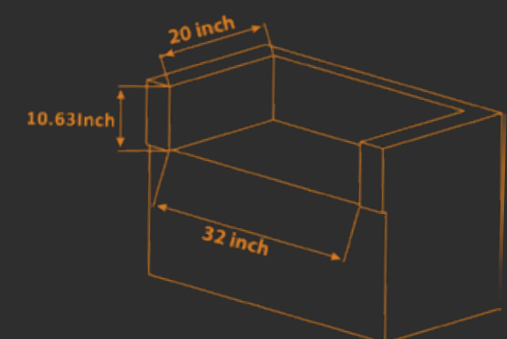
MABi805 - BUILT IN 44" GRILL

- 87,000 BTU Heat Output
- Cooking surface 38"x18" (exc. Warming rack)
- All 304 stainless steel components
  - Six 304 stainless steel burners
  - 8mm 304 stainless steel cooking grills
  - Warming rack 304 stainless steel
- Ceramic Infrared Rear Burner
- Rotisserie Kit with Electric Motor
- Temperature Gauge
- Two Cooking Surface Halogen Lights
- On/Off red/blue changing control knob lights
- Electronic Ignition
- Bottle Opener
- Weather Cover
- Propane Ready
- - Propane Hose and Regulator
- - Easily Convertible to Natural Gas
- Easy access Full Front Grease Tray
- **DELIVERED FULLY ASSEMBLED**



MABi400 - BUILT IN 32" GRILL

- 63,000 BTU Heat Output
- Cooking surface 28"x18" (exc. Warming rack)
- All 304 stainless steel components
  - Four 304 stainless steel burners
  - 8mm 304 stainless steel cooking grills
  - Warming rack 304 stainless steel
- Ceramic Infrared Rear Burner
- Rotisserie Kit with Electric Motor
- Temperature Gauge
- Two Cooking Surface Halogen Lights
- On/Off red/blue changing control knob lights
- Electronic Ignition
- Bottle Opener
- Weather Cover
- Propane Ready
- - Propane Hose and Regulator
- - Easily Convertible to Natural Gas
- Easy access Full Front Grease Tray
- **DELIVERED FULLY ASSEMBLED**



# Make your backyard the heart of your home and bring your family together with **Mont Alpi™ BUILT-IN GRILLS**

**MONT ALPI BUILT-IN GRILLS ARE THE PERFECT ADDITION TO ANY AMERICAN BACKYARD KITCHEN BUILD!**

Mont Alpi Built-in Grills are built to provide ample space for you to cook for your loved ones and bring your family together for delicious meals and memories. Both the four and a six burner built-in models come with ceramic infrared rear burners,

and all 304 stainless steel components. Each grill is ready to use straight out of the box. They also include a rotisserie kit with electric motor, bottle opener, weather cover, two cooking surface halogen lights, on/off red/blue color changing control knob lights, and electronic ignition, making it easy to create a delicious meal for your family. Bring your family together with a Mont Alpi Built-in Grill and make your backyard the heart of your home.



Say goodbye to warm beer  
and say hello to endless cold brews

# Mont Alpi™ KEG CENTER

Keep the good times rolling with a **Mont Alpi Keg Center**—the perfect addition to your backyard party scene. The module comes with an outdoor rated fridge that holds up to 3 pony kegs with three taps. The unit is topped with white granite and works as a module for any

stainless steel Mont Alpi island or as a stand alone unit. The Mont Alpi Keg Center is perfect for when you're hosting backyard BBQs, parties, and events. With the Mont Alpi Keg Center Module, you'll be the ultimate host and the envy of your neighborhood.



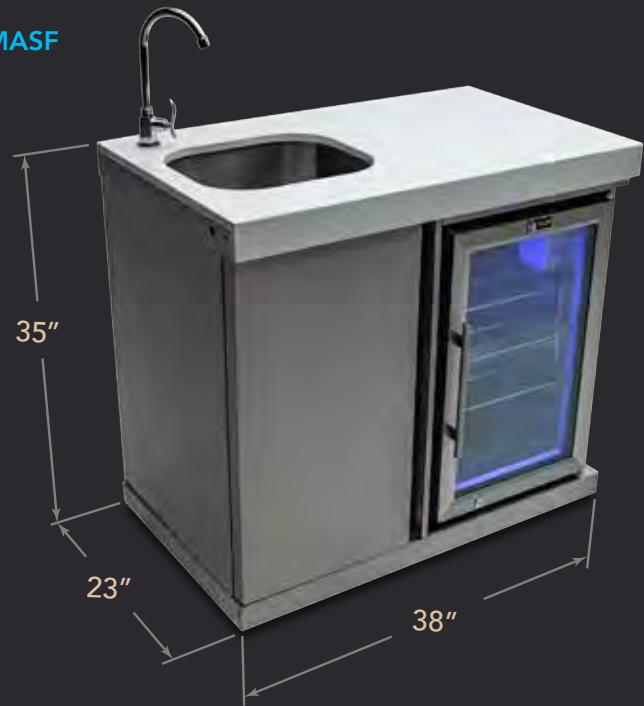
The Mont Alpi Kegerator is a sophisticated freestanding unit and is also compatible with all stainless-steel islands.



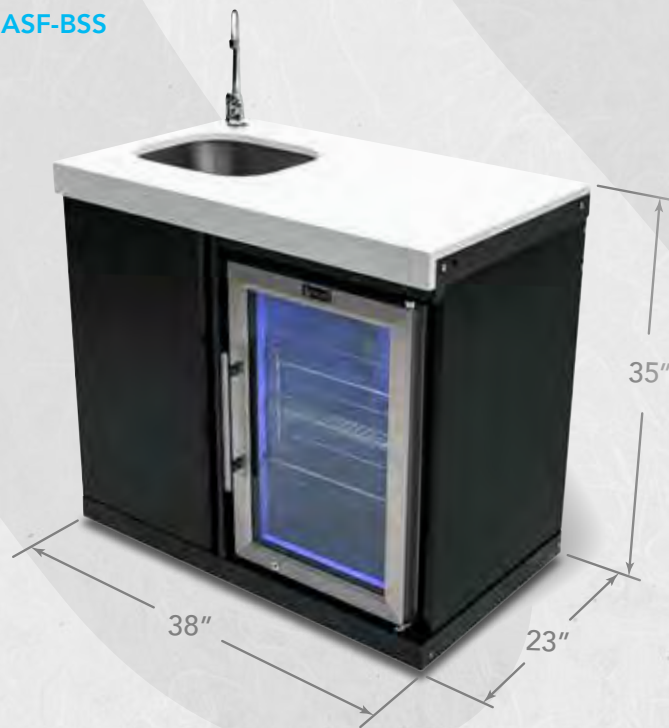
# Mont Alpi™ BEVERAGE CENTERS

Mont Alpi Beverage Centers make a beautiful addition to any Mont Alpi grill island or as a stand alone beverage center on your patio. Each unit is available in regular stainless steel or black stainless steel.

MASF



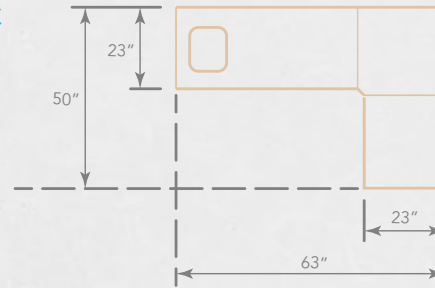
MASF-BSS



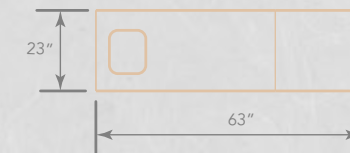
Entertain like never before and let the good times roll

All our Mont Alpi Beverage Centers come with an outdoor rated refrigerator with lights, lockable door, and a stainless steel sink with faucet. Each unit is made with all 304 marine grade stainless steel and is finished with white granite counter top.

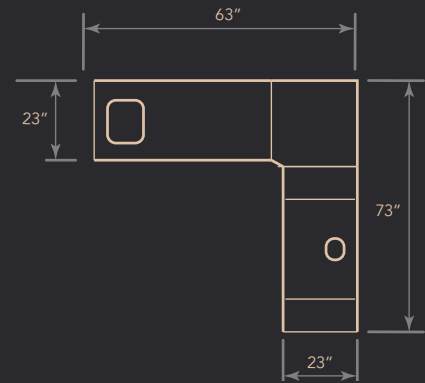
MA-BEVBSS90FC



MA-BEVBSSFC



MA-BEVKEG



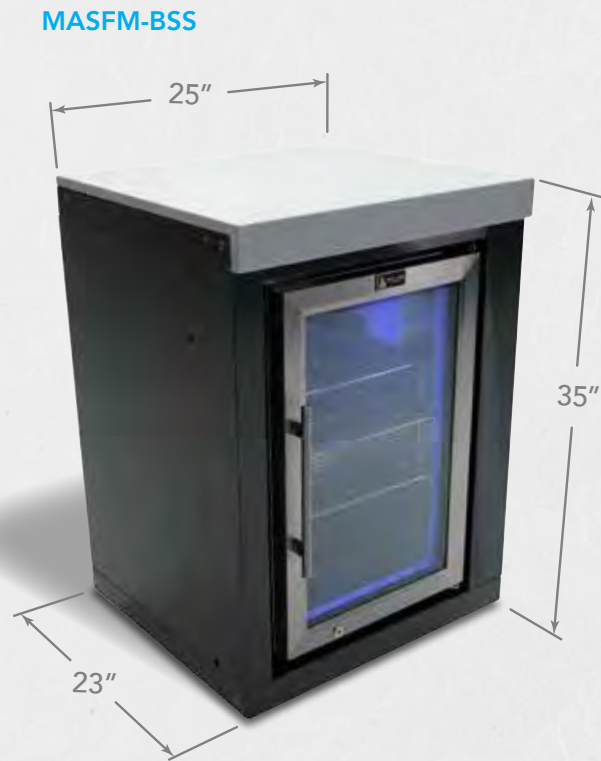
MA-BEV90KEG



# Mont Alpi™

## REFRIGERATION MODULES

All **Mont Alpi refrigerators** are outdoor rated, lockable, temperature adjustable and have a stylish blue LED light. The 3 options allow you to add this module to any stainless steel deluxe island, black stainless steel island or a stand alone unit.



Let the pizza party begin!

## Mont Alpi™ PIZZA OVEN

- Stainless Steel
- "U" Shaped Burner for all around high heat
- 12,000 BTU
- Oven like performance in 5 minutes (620 F)
- 12" Pizza Stone
- Removable Floor Pan
- Pull out fat tray
- Dishwasher friendly cleaning
- Net weight 27 lbs
- Easy Start up Ignition
- Great for roasting (whole chickens and larger meats)
- Removable Front Door
- Accurate Temperature Gauge
- Propane (convertible to natural gas)



## Mont Alpi™ 3-IN-1 GRILL

The ultimate grill for versatile cooking

- 1 Perfect for Searing Steaks
  - 2 Great for Griddle Plate Cooking
  - 3 Pizza Stone for Crisp Pizza
- 12,000 BTU
  - "U" Shaped 304 Stainless Steel Burner for even heat distribution
  - Pull Grease Tray
  - Temperature Gauge
  - Easy Start up Ignition
  - 304 Stainless Steel Cooking Grid



# Mont Alpi™ GRILL COVERS

Protect your investment and keep your grill looking like new.

All Mont Alpi covers are designed with maximum durability in mind in order to protect the stainless steel finish in across all weather conditions and keep your grill looking it's best. Zipper closures allow any grill and module combination to be covered perfectly. Each module cover will zip to another in any combination. These are some of our most popular options.



COVBi805, COVBi400



COVMAi805, COVMAi400



COVMASF



COVMAi805-BEV, COVMAi805-DBEV, COVMAi805-BSSBEV

# Mont Alpi™ ACCESSORY LINES



Pizza oven carry bag

POCB



Dual sided griddle plate

MAGR



Universal side burner pizza oven

MASBP



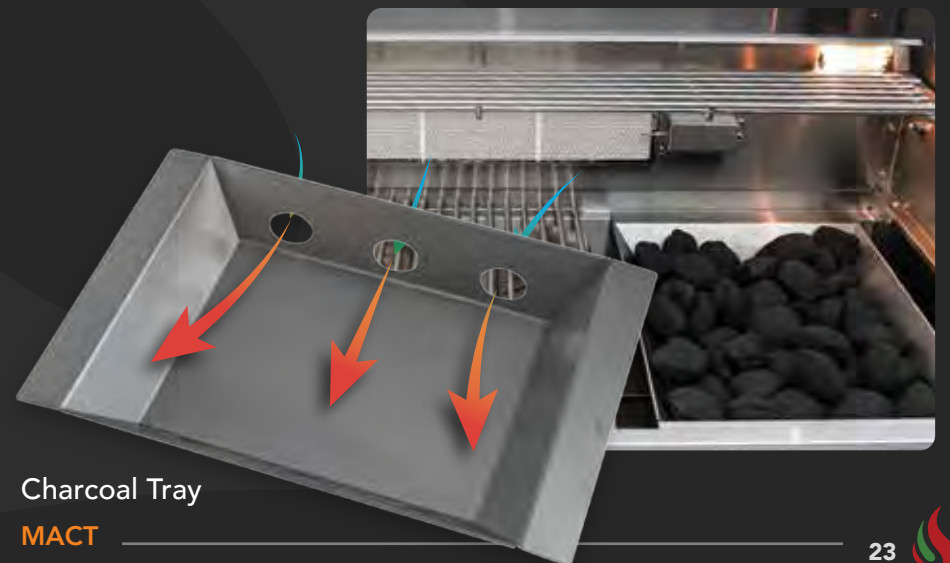
Rotisserie Kit

MAROTIS



Natural Gas Conversion Kit

MANGK



Charcoal Tray

MACT

# Mont Alpi™ CUSTOMERS

Trust Mont Alpi for a top-notch grilling experience

## PRODUCT SUPPORT

At Mont Alpi, we pride ourselves on providing exceptional customer service and support. Our grills are not just a purchase, they're an investment in your outdoor cooking experience. That's why we offer comprehensive product support and warranties to ensure your satisfaction with your Mont Alpi grill.

Our dedicated product support team is available to assist with any questions or concerns you may have about your grill, from assembly to operation and maintenance.

We also provide detailed owner's manuals and instructional videos for added guidance.

## LIMITED LIFETIME WARRANTY

If you ever encounter an issue with your Mont Alpi grill, our team will work with you to resolve it and ensure your complete satisfaction.

Our standard warranty covers all defects in materials and workmanship, including coverage for all parts.

Mont Alpi is committed to providing our customers with the best possible service and support, so you can enjoy your grill for years to come.



ADDRESS: 15271 Barranca PKWY Irvine CA 92618

CALL: +1 949-207-9595

EMAIL: [info@MontAlpiOnline.com](mailto:info@MontAlpiOnline.com)

[www.MontAlpiOnline.com](http://www.MontAlpiOnline.com)