



MEMPHIS
WOOD FIRE GRILLS



Memphis ITC 3 Slide-In Kit Installation

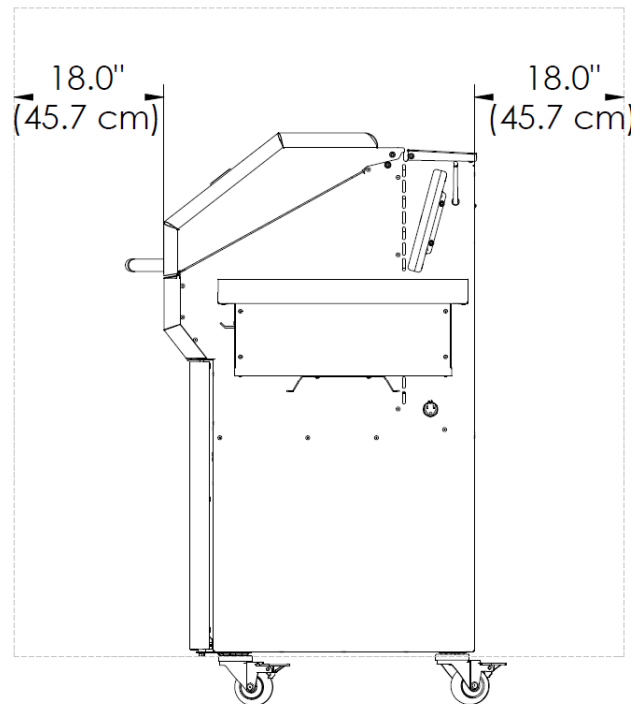
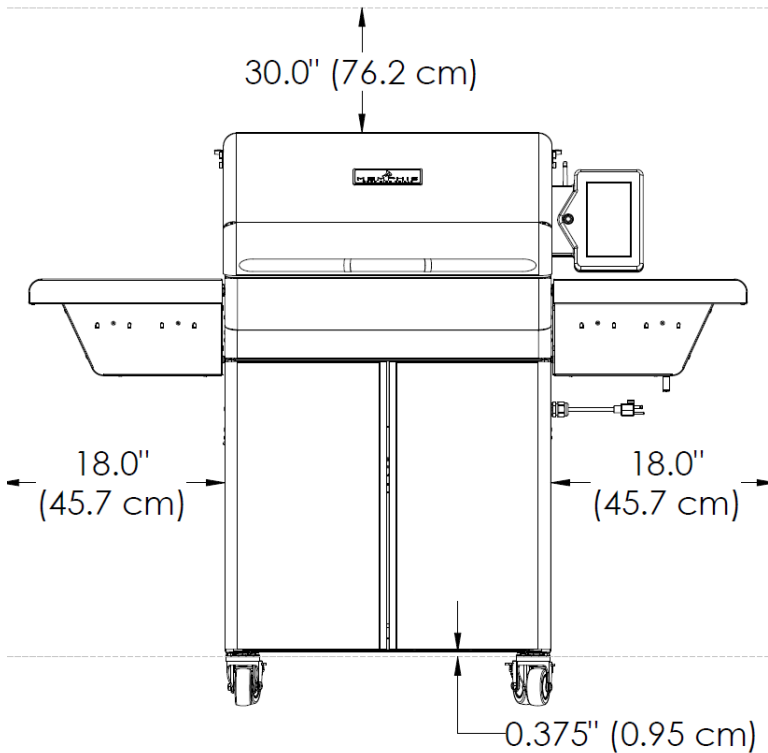
For Serial# 30001+ Memphis Pro and Elite Cart Models



Clearance to Combustible Materials

YOUR MEMPHIS GRILL MUST MAINTAIN THE SPECIFIED CLEARANCE TO COMBUSTIBLE MATERIALS WHILE OPERATING THE GRILL OR WHILE THE GRILL IS HOT!

Combustible Material is wood, dry wall, siding or any other material that has to ability to catch fire.



Below are some guidelines to ensure safe operation of your Memphis Grill

- The grill is to be supported by the casters provided.
- Grill casters are to be locked while the grill is in use or while the grill is hot.
- It is recommended that the grill be placed on a non-combustible surface.
- Operating the grill under a combustible ceiling or overhang is NOT recommended.
- Maintain the minimum clearance to combustible materials specified above.

A major cause of fires is failure to maintain required clearances (air spaces) to combustible materials. It is of the utmost importance that this product be installed only in accordance with these instructions.



 **WARNING!** 

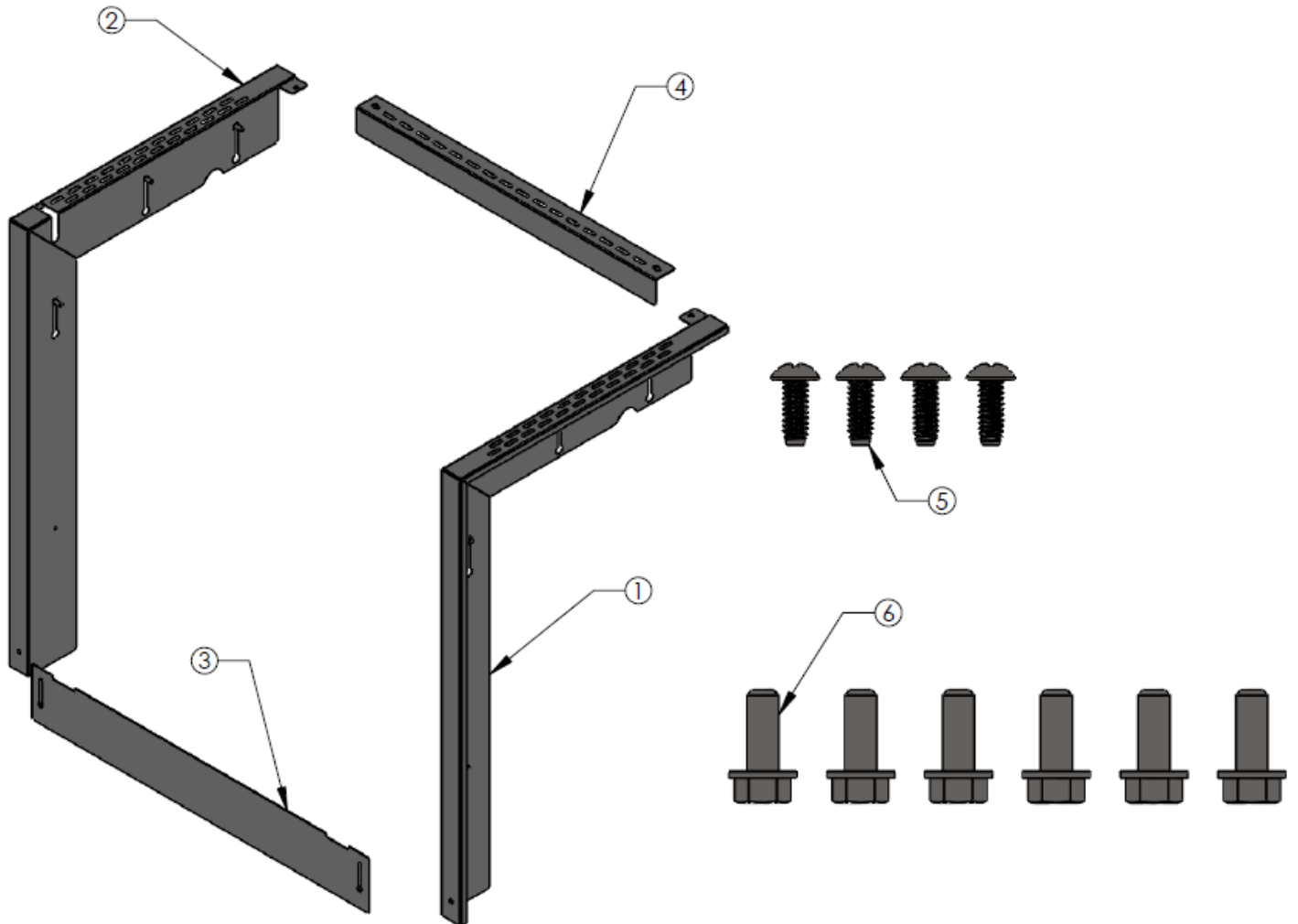
- Please read this entire manual before installation and use of this wood pellet fuel-burning appliance. Failure to follow these instructions could result in property damage, bodily injury or even death.
- Contact local building or fire officials about restrictions and installation inspection requirements in your area.
- Save these instructions.
- For outdoor use only. Do not use in any enclosed area.
- Do not put anything flammable in the storage area under the grill.
- Keep the grill's rear ventilation slots clear of obstructions.
- Accessible parts of the grill are very hot. Keep young children away while in use.
- The grill should be plugged into a GFCI (Ground-Fault Circuit Interrupt) outlet.
- If the power cord becomes damaged, do not operate the grill.
- Any modifications (holes, screws, sheet metal changes) to the grill will void warranty.

REQUIRED TOOLS:

- **3/8" OR ADJUSTABLE WRENCH**
- **5/16" NUT DRIVER OR SOCKET WITH STRAIGHT-DRIVER**
 - **1 PHILIPS SCREWDRIVER**
- **PROTECTIVE GLOVES AND EYEWEAR**



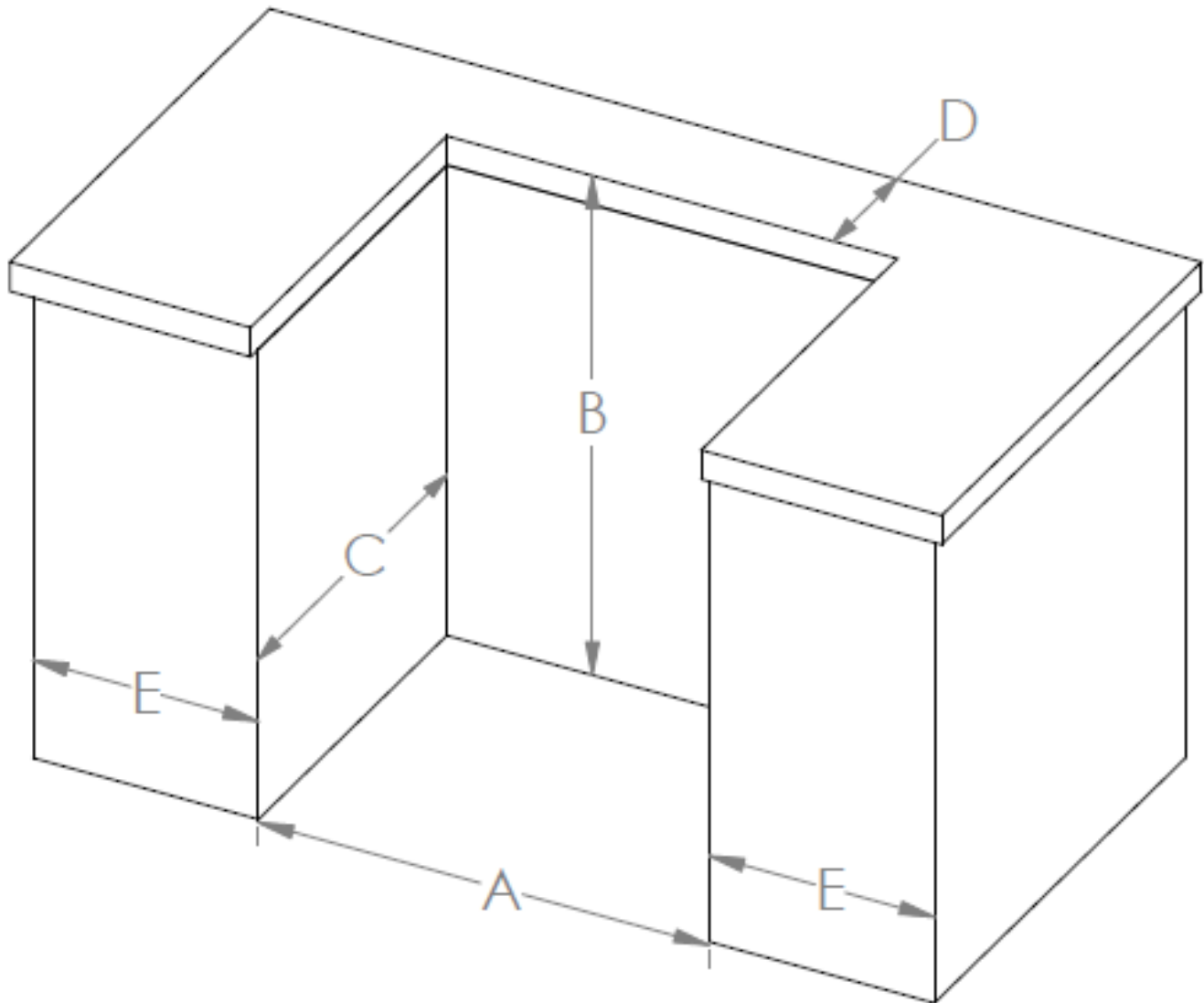
Memphis Slide-In Kit Contents (Brackets and Hardware Kit)



ITEM NO.	PART NUMBER	DESCRIPTION	QTY.
1	VG0819	SLIDE IN, BRACKET, RIGHT	1
2	VG0818	SLIDE IN, BRACKET, LEFT	1
3	VG0817	PRO SLIDE IN BOTTOM CONCEAL	1
4	VG0820	PRO SLIDE-IN, BRACKET, BACK	1
5	DS2186	#10 SELF-TAPPING SCREW SS	4
6	DS2311	1/4-20 x .625" SERRATED HEX FLANGE SCREW STAINLESS PN:1410MWW188	6



Memphis Slide-In Kit Island Dimensions



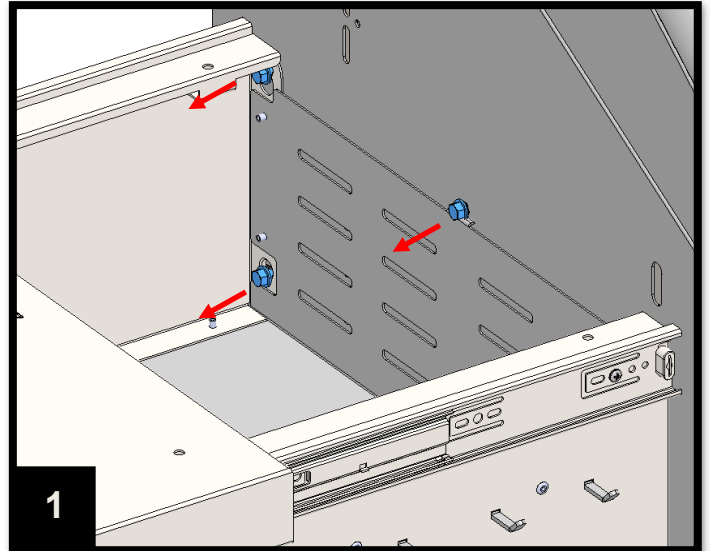
DIM	DESCRIPTION	PRO (in. [mm])	ELITE (in. [mm])
A	MINIMUM CAVITY WIDTH	30 in. [762 mm]	42 5/16 in. [1,074 mm]
B	COUNTERTOP HEIGHT (+/- 0.75in./ 19mm)	34 5/16 in. [mm]	35 1/4 in. [mm]
C	MINIMUM CAVITY DEPTH*	23 3/4 in. [603 mm]	23 3/4 in. [603 mm]
D	MINIMUM REAR CLEARANCE TO COMBUSTIBLE MATERIAL	3 1/2 in. [89 mm]	3 1/2 in. [89 mm]
E	MINIMUM SIDE CLEARANCE TO COMBUSTIBLE MATERIAL	12 in. [305 mm]	12 in. [305 mm]

*DOES NOT INCLUDE COUNTERTOP FRONT OVERHANG

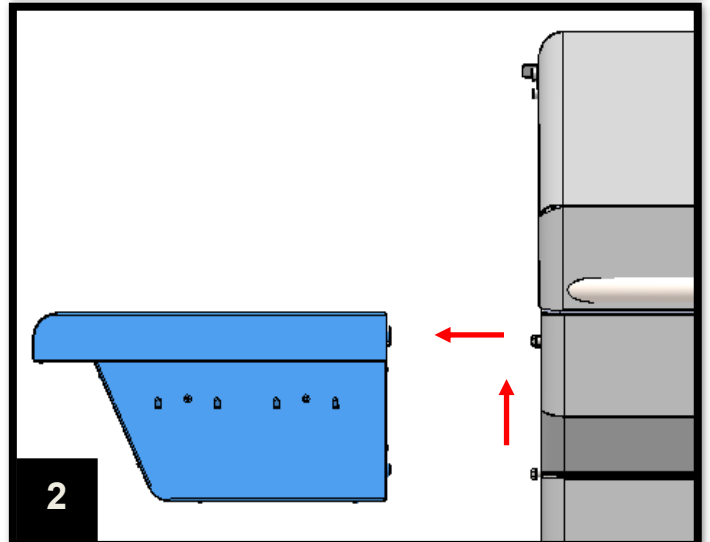


Memphis Slide-In Kit Installation

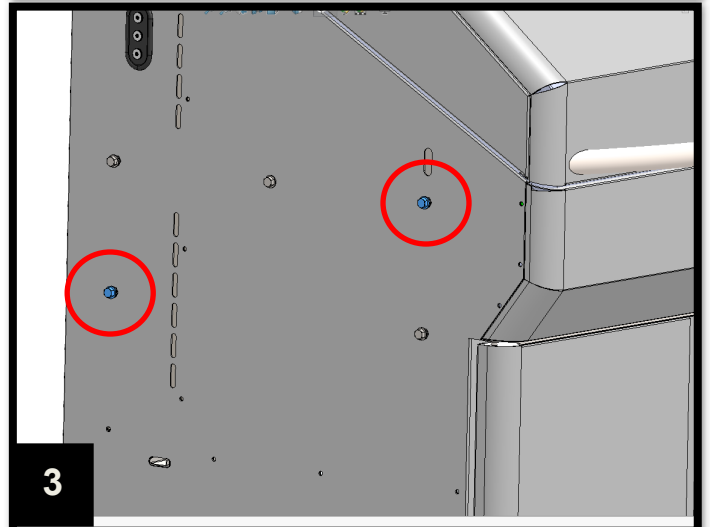
1. Using a 3/8" or adjustable wrench, loosen the 5 bolts that hold the side shelf to the grill. Repeat this on the other side of the grill. You do not need to fully remove the bolts.



2. Lift the shelves up, and pull outward to free them from the bolts. Until you convert the unit back into a standard cart you will not need the side shelves.



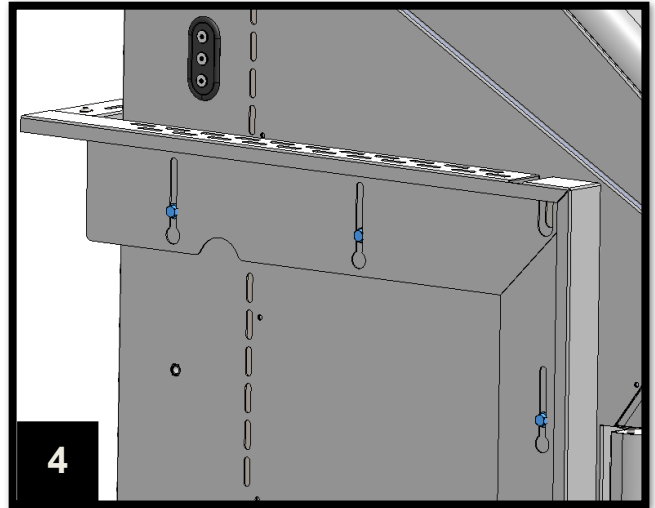
3. There are two bolts on each side that will not be needed. Remove the two shown, and their counterparts on the right side of the grill.



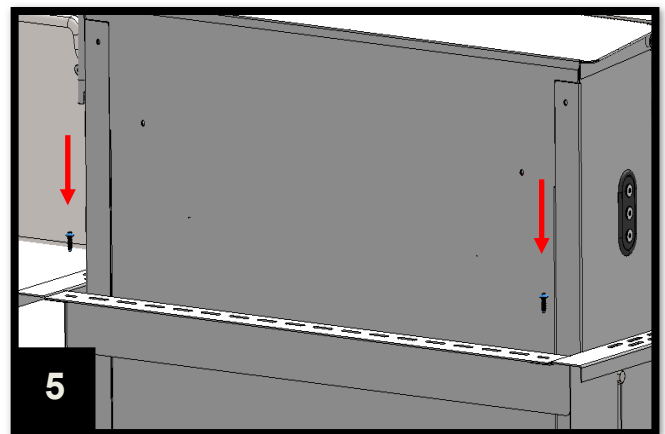


Memphis Slide-In Kit Installation

4. The side brackets mount the same way that the side shelves do— through key-hole slots. The elongated key holes allow the bracket to be adjusted to your countertop height.



5. Using two of the stainless steel screws, fasten the back L-bracket to the two side brackets, spanning between them behind the grill.



6. Lock the front casters and push them inward so that they don't protrude from the front of the grill. Using the other two stainless screws included in the kit, fasten the bottom bracket to cover the casters. The elongated slots on the bracket are to allow for the up/ down adjustment of the side brackets.

