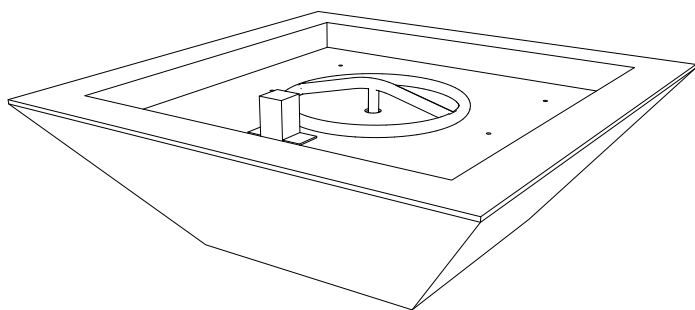
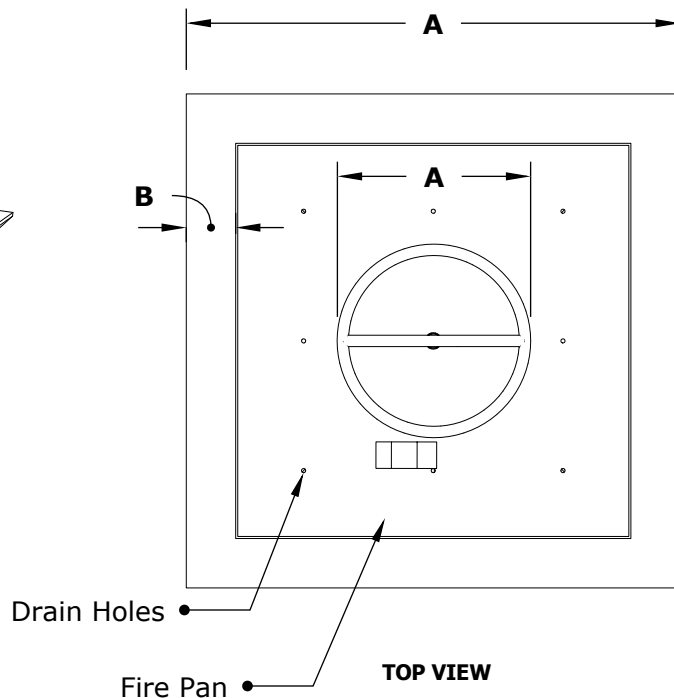


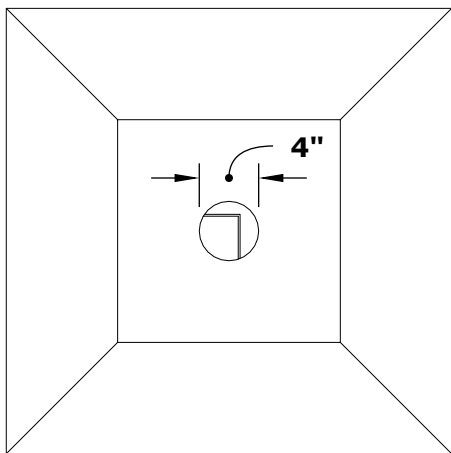
MAYA FIRE BOWL POWDER COATED STEEL/ COPPER



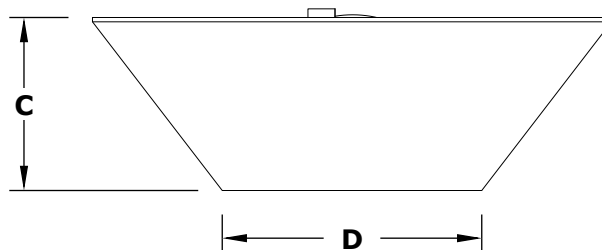
ISOMETRIC VIEW



TOP VIEW



UNDERSIDE VIEW



FRONT SIDE VIEW

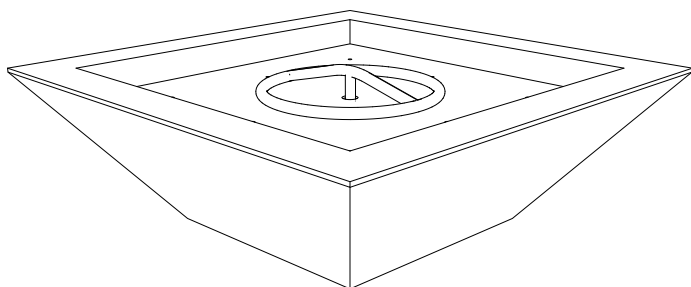
SKU	A	B	C	D	E	BTU
OPT-103-SQ24E12V	24"	2"	10"	12"	8" Single Ring	45,000
OPT-103-SQ30E12V	30"	3"	10"	15"	12" Single Ring	65,000
OPT-103-SQ36E12V	36"	3"	12"	18"	12" Single Ring	65,000
OPT-24SQPCFOE12V	24"	2"	10"	12"	8" Single Ring	45,000
OPT-30SQPCFOE12V	30"	3"	10"	15"	12" Single Ring	65,000
OPT-36SQPCFOE12V	36"	3"	12"	18"	12" Single Ring	65,000

Fire Bowl Material
 - Powder Coated Steel
 - Hammered Copper
 Pan Material: 304 Stainless Steel
 Burner Material: 304 Stainless Steel
12V ELECTRONIC IGNITION
 ANSI Z21.97-(2017) / CSA 2.41-(2017)

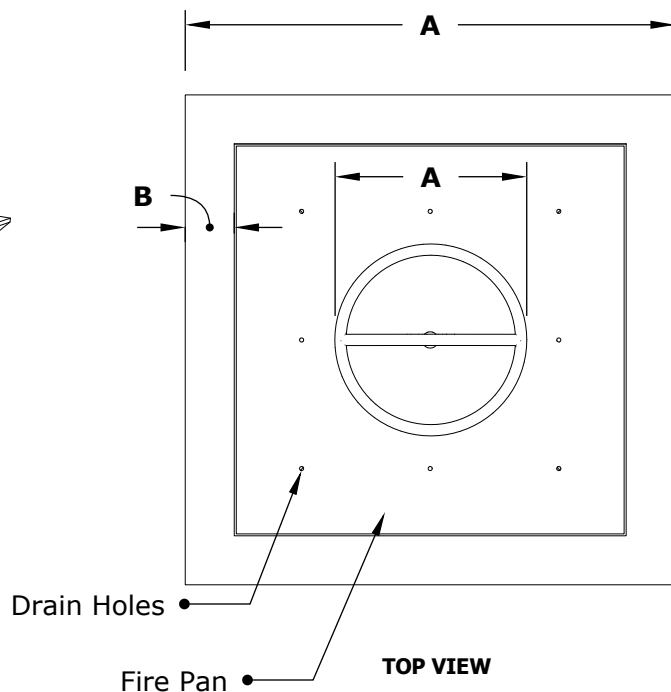


Includes: Pan, Burner, 12v Electronic Valve, Pilot Igniter, NG or LP orifice, Whistle Free Hose, Black Lava Rock.

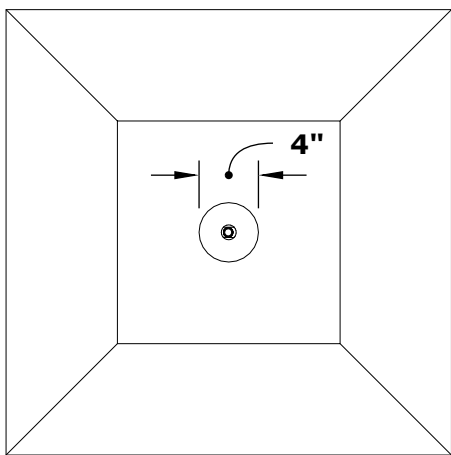
MAYA FIRE BOWL POWDER COATED STEEL/ COPPER



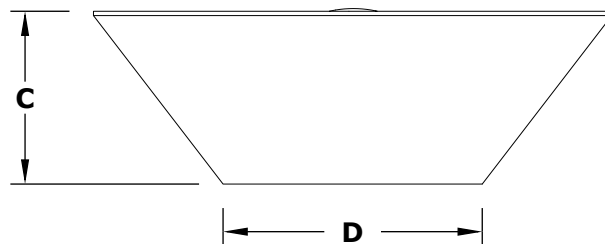
ISOMETRIC VIEW



TOP VIEW



UNDERSIDE VIEW



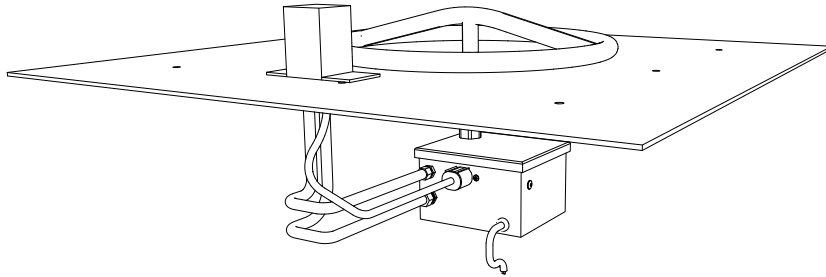
FRONT SIDE VIEW

SKU	A	B	C	D	E	BTU
OPT-103-SQ24	24"	2"	10"	12"	8" Single Ring	45,000
OPT-103-SQ30	30"	3"	10"	15"	12" Single Ring	65,000
OPT-103-SQ36	36"	3"	12"	18"	12" Single Ring	65,000
OPT-24SQPCFO	24"	2"	10"	12"	8" Single Ring	45,000
OPT-30SQPCFO	30"	3"	10"	15"	12" Single Ring	65,000
OPT-36SQPCFO	36"	3"	12"	18"	12" Single Ring	65,000

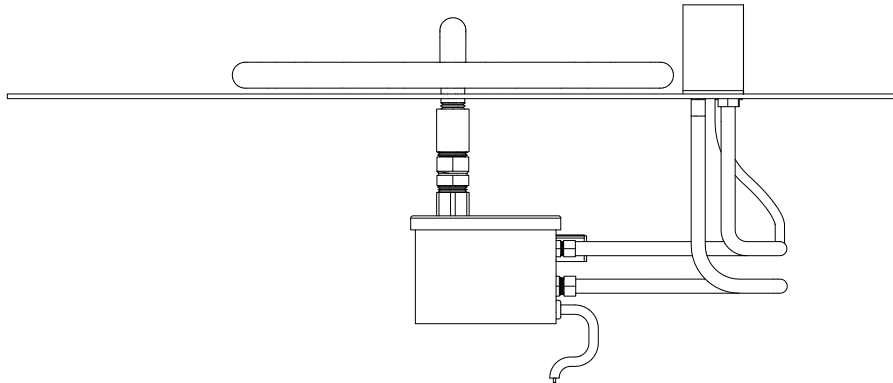
Fire Bowl Material
 - Powder Coated Steel
 - Hammered Copper
 Pan Material: 304 Stainless Steel
 Burner Material: 304 Stainless Steel

Includes: Pan, Burner, NG or LP orifice, Whistle Free Hose, Black Lava Rock.

MAYA FIRE BOWL
POWDER COATED STEEL/ COPPER



ISOMETRIC VIEW



ISOMETRIC VIEW

SKU	A	B	C	D	E	BTU
OPT-103-SQ24	24"	2"	10"	12"	8" Single Ring	45,000
OPT-103-SQ30	30"	3"	10"	15"	12" Single Ring	65,000
OPT-103-SQ36	36"	3"	12"	18"	12" Single Ring	65,000
OPT-24SQPCFO	24"	2"	10"	12"	8" Single Ring	45,000
OPT-30SQPCFO	30"	3"	10"	15"	12" Single Ring	65,000
OPT-36SQPCFO	36"	3"	12"	18"	12" Single Ring	65,000

Fire Bowl Material
 - Powder Coated Steel
 - Hammered Copper
 Pan Material: 304 Stainless Steel
 Burner Material: 304 Stainless Steel

12V ELECTRONIC IGNITION
 ANSI Z21.97-(2017) / CSA 2.41-(2017)



Includes: Pan, Burner, NG or LP orifice, Whistle Free Hose, Black Lava Rock.