

Memphis Elevate™ ITC 2

Model Number MG01-06-001

Read all instructions before installing and using this appliance. Save these instructions for future reference.

A MAJOR CAUSE OF FIRES IS FAILURE TO MAINTAIN REQUIRED CLEARANCES (AIR SPACES) TO COMBUSTIBLE MATERIALS. IT IS OF UTMOST IMPORTANCE THAT THIS PRODUCT BE INSTALLED ONLY IN ACCORDANCE WITH THESE INSTRUCTIONS.



Table of Contents

Warranty Registration	3
Memphis Elevate™ Overview	4
Clearance to Combustibles	5
Electrical Installation Requirement	6
Memphis Elevate Grill Head	
Parts List	7
Assembly Instruction	8-9
Memphis Wi-Fi Setup Guide	10
Memphis Controller Diagram	11-12
Memphis Elevate Built-In Brackets	
Overview	13
Cutout Dimensions	14
Dimensions	15
Parts List	16
Assembly Instructions	17-19
Memphis Elevate Leg Assembly	
Overview	20
Dimensions	21
Parts List	22
Assembly Instructions	23-27
Memphis Elevate Surround Assembly	
Overview	28
Dimensions	29
Parts List	30-31
Assembly Instructions	32-35
Memphis Elevate Cabinet Assembly	36
Link to Product Manual Updates	37



Stop!

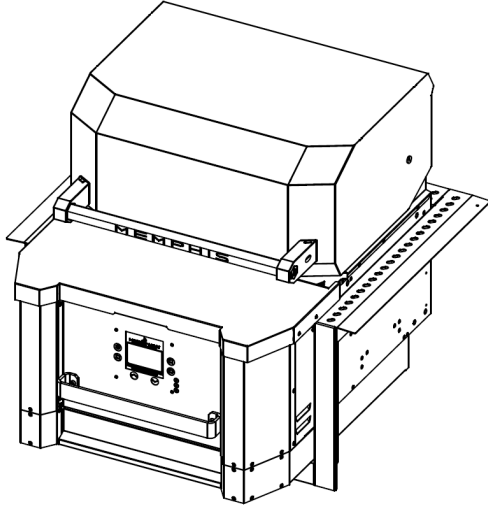
**Scan the QR Code above now
to secure your grill warranty registration.**

Or register online at:

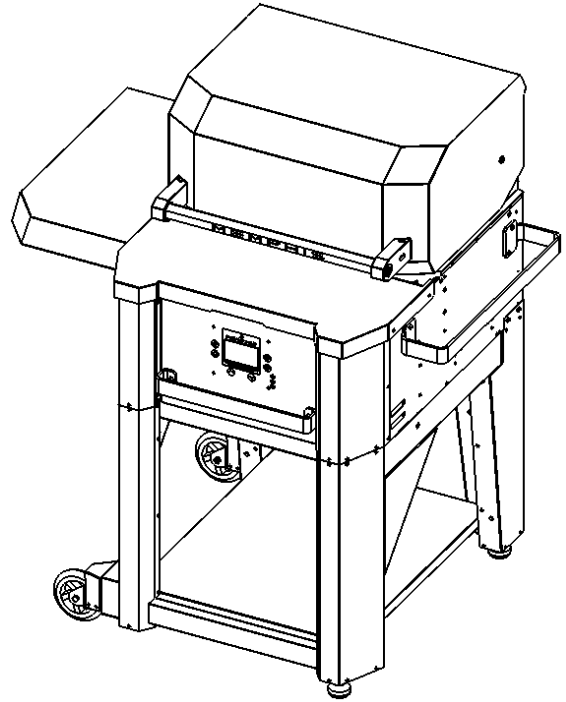
<https://memphisgrills.com/support-resources/warranty-registration/>



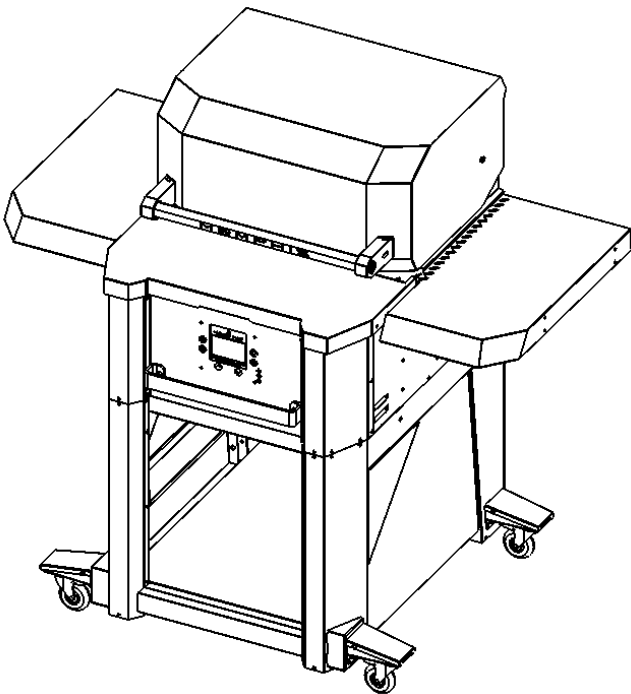
Memphis Elevate™ Overview



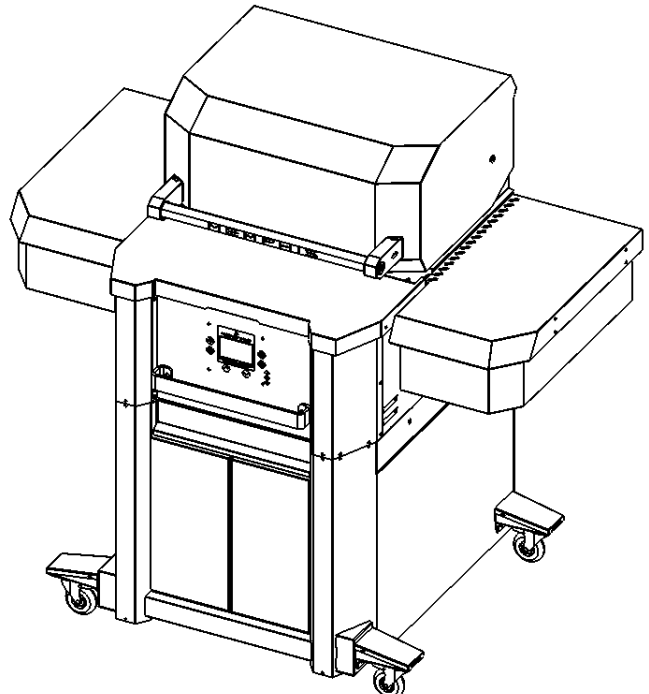
MODEL NUMBER: MG11-06-001
DESCRIPTION: Built-In Bracket Assembly



MODEL NUMBER: MG11-06-002
DESCRIPTION: Leg Assembly



MODEL NUMBER: MG11-06-003
DESCRIPTION: Surround Assembly



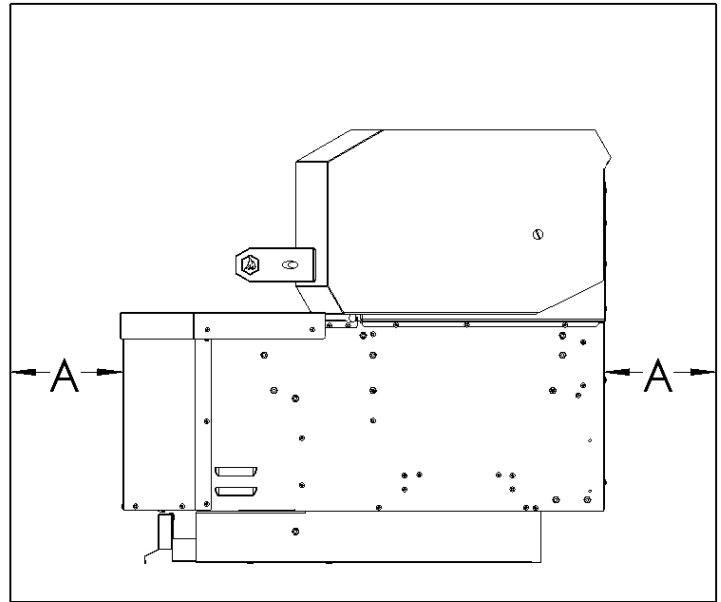
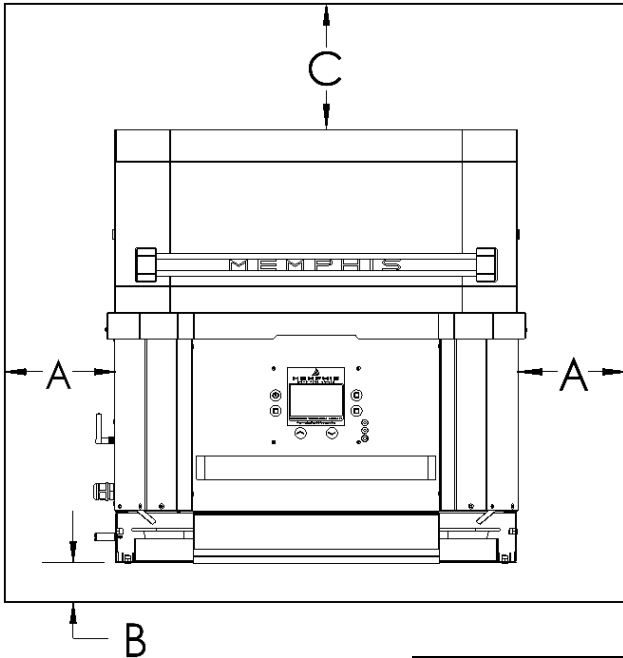
MODEL NUMBER: MG11-06-004
DESCRIPTION: Cabinet Assembly



Clearance to Combustible Materials

YOUR MEMPHIS GRILL MUST MAINTAIN THE SPECIFIED CLEARANCE TO COMBUSTIBLE MATERIALS WHILE OPERATING THE GRILL OR WHILE THE GRILL IS HOT!

Combustible Material is wood, dry wall, siding or any other material that has the ability to catch fire.



DIMENSIONS	
A	18" [45.8 cm]
B	3/8" [1.0 cm]
C	30" [76.2 cm]

Below are some guidelines to ensure safe operation of your Memphis Grill:

- The grill is to be supported by the casters or fixed wheels and leveling feet depending on which assembly is purchased.
- Grill casters are to be locked while the grill is in use or while the grill is hot.
- It is recommended that the grill be placed on a non-combustible surface.
- Operating the grill under a combustible ceiling or overhang is NOT recommended.
- Maintain the minimum clearance to combustible materials specified above.

A major cause of fires is failure to maintain required clearances (air spaces) to combustible materials. It is of the utmost importance that this product be installed only in accordance with these instructions.



Electrical Installation

Dedicated Electrical Circuit with GFCI Protected Outlet

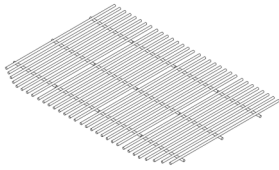
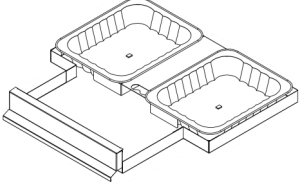
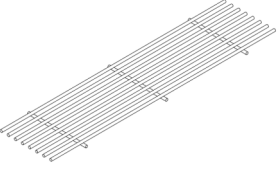
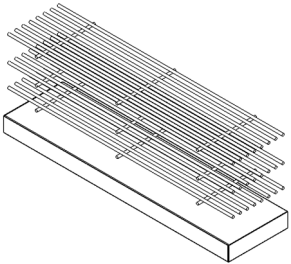
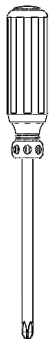

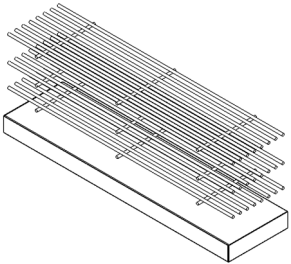
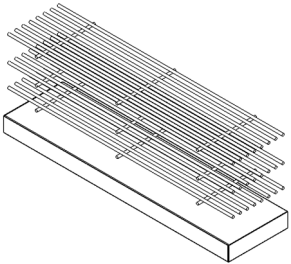
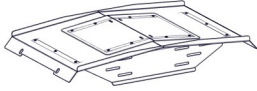

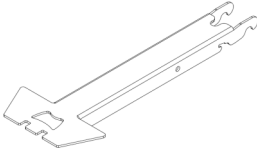
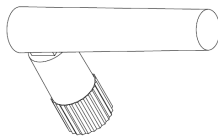
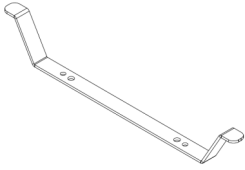
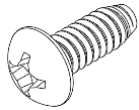
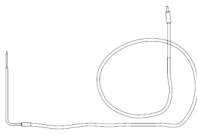
A dedicated GFCI protected electrical circuit is **REQUIRED** for all Memphis Wood Fire Grills and controller systems. This circuit should be installed by a Certified Electrician. Although the Memphis Grill only uses about 5 amps of current during startup, any other equipment (refrigerator, pool pump, fountains, etc.) with a high current draw, consistently or intermittently, from the same electrical circuit can cause potential issues and/ or interruptions with the performance of the grill.

On/Off Switch Recommendation

For Built-in models, we recommend that an on/off switch be installed in a circuit that can be easily disconnected from power when not in operation. This will prevent the buildup of interference that could affect the controller's operation.



Grill Head Parts List

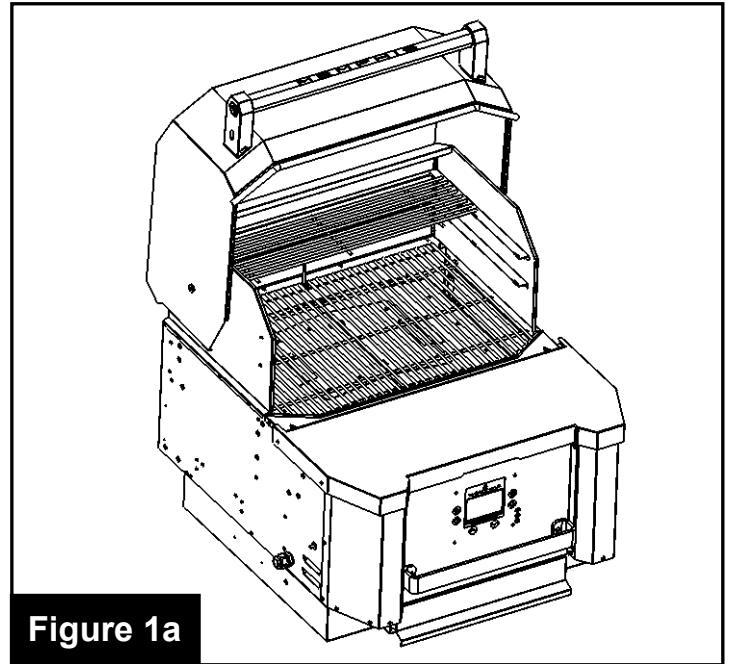
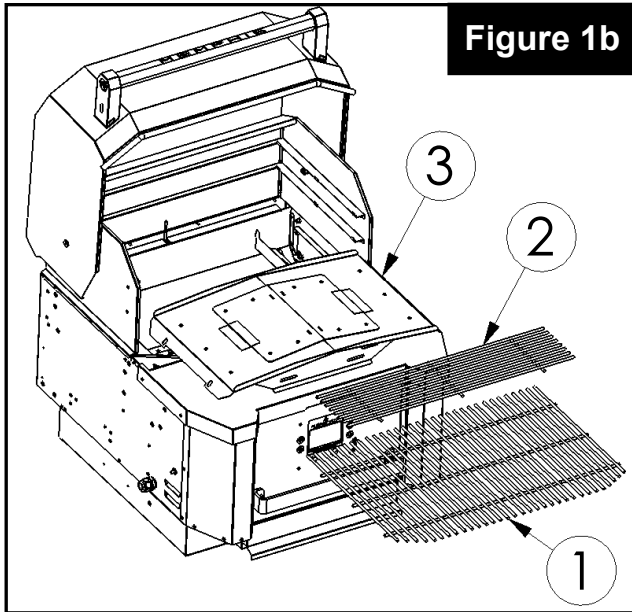
<u>Description/ Part No.</u>	<u>Qty:</u>	<u>Picture:</u>	<u>Description/ Part No.</u>	<u>Qty:</u>	<u>Picture:</u>						
1. Main Grates MA07-00003	1		10. Ash Drawer MG33-01-004	1							
2. Upper Grate MD07-00008	1		<h3><u>OPTIONAL ACCESSORIES</u></h3> <table border="1"> <thead> <tr> <th><u>Description/ Part No.</u></th> <th><u>Qty:</u></th> <th><u>Picture:</u></th> </tr> </thead> <tbody> <tr> <td>A. Extended Grate Kit MG33-01-004</td> <td>3 grates per box</td> <td></td> </tr> </tbody> </table> <h3><u>TOOLS REQUIRED</u></h3> <ul style="list-style-type: none"> • Phillips Screwdriver or Drill  <h3><u>ESTIMATED TIME REQUIRED</u></h3> <p>0.50 Hours (excludes removal of protective film)</p> 			<u>Description/ Part No.</u>	<u>Qty:</u>	<u>Picture:</u>	A. Extended Grate Kit MG33-01-004	3 grates per box	
<u>Description/ Part No.</u>	<u>Qty:</u>	<u>Picture:</u>									
A. Extended Grate Kit MG33-01-004	3 grates per box										
3. Savorizer® VG4403	1										
4. Direct Flame Insert VG4407	1										
5. Genie Tool VG0594	1										
6. Wi-Fi Antenna VG9025	1										
7. Cord Wrap VG0173	1										
8. #10 Screw (SS) DS2186	2										
9. Meat Probe ME10-00001	1										



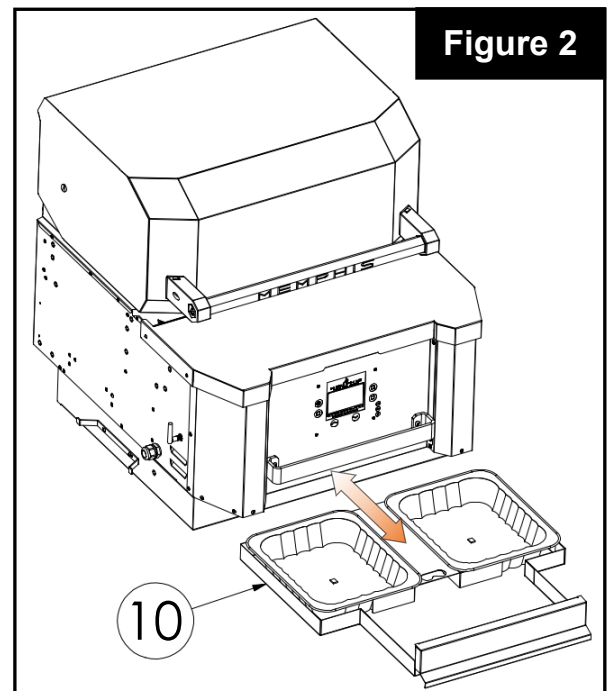
Grill Head: Assembly Instructions

Peel all plastic protective film prior to performing the assembly steps listed below. Refer to page 7 for item part numbers, descriptions, and quantities.

Step 1) Remove Savorizer (Part 3) and grates (Part 1 & Part 2) from inside the grill hood. To remove the Savorizer, cut the four zip ties holding it in place. Set aside the parts until needed (See Figure 1a & 1b).



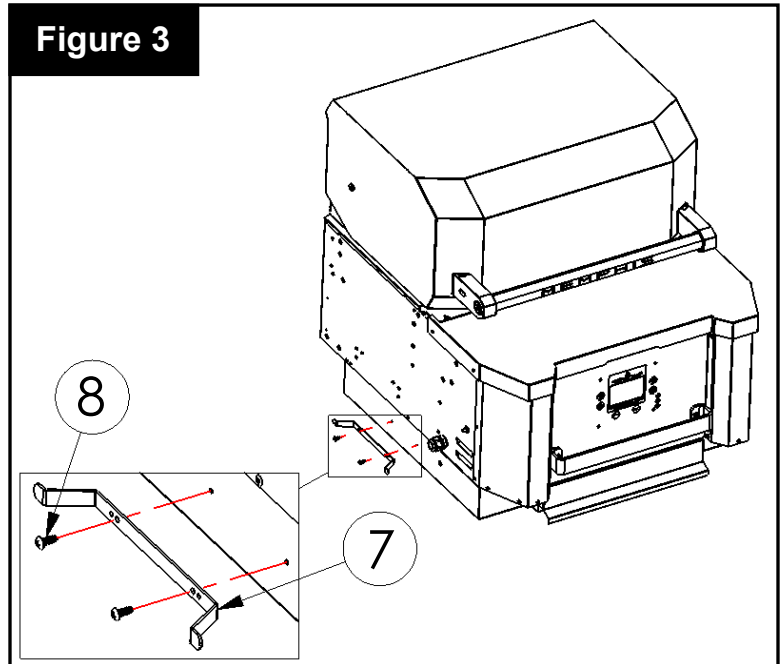
Step 2) Slide ash drawer (Part 10) from the grill. Remove the plastic bag from the ash drawer. Slide ash drawer back into the grill (See Figure 2).



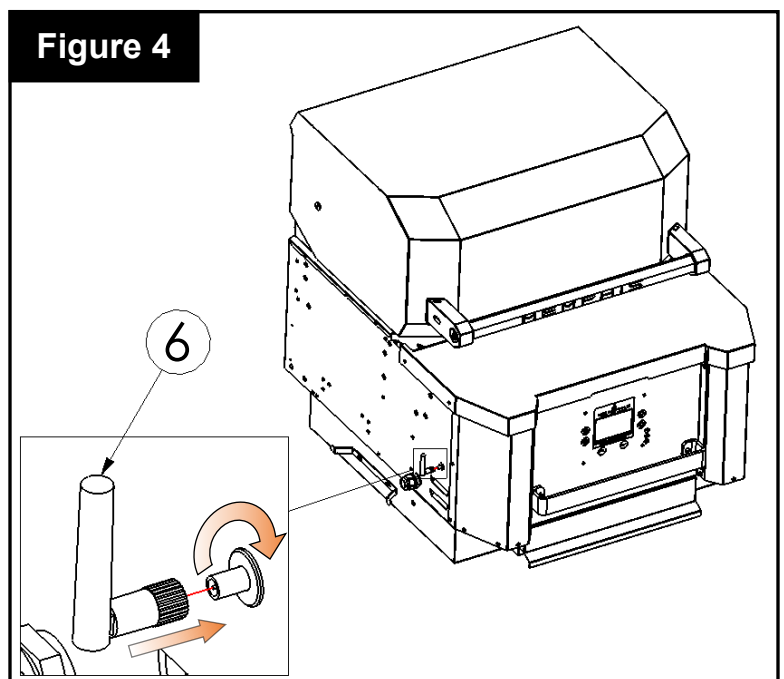


Grill Head: Assembly Instructions

Step 3) Attach cord wrap (Part 7) onto the side of the grill using two screws (Part 8) (See **Figure 3**).



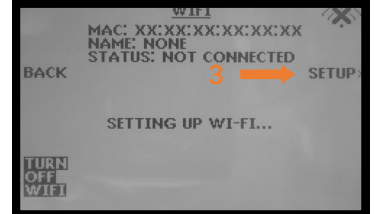
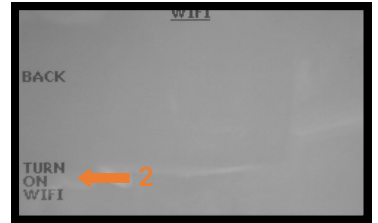
Step 4) Thread Wi-Fi antenna (Part 6) to bulkhead connector located on the Grill Head's left panel side (**Figure 4**).



MEMPHIS WI-FI SETUP GUIDE

ON YOUR GRILL CONTROLLER:

- 1) A Wi-Fi connection can be set up in minutes on your Memphis Wood Fire Grill. First power the grill ON by pressing the top left button on the controller, then from the home screen press the "MENU" button, then the "DOWN ARROW", then the "WIFI" button.
- 2) The "WIFI" screen on your grill includes the information needed to connect your grill to a Wi-Fi network. First, you will notice that the Wi-Fi default is in the OFF position for users not wishing to use WiFi. To turn Wi-Fi ON, simply press the button "TURN ON WIFI".
- 3) Next, press and release the "SETUP" button and the grill will start searching for all nearby Wi-Fi networks. Once the status field displays "CONNECTING" the grill is ready to be connected to your network via any Wi-Fi compatible device.

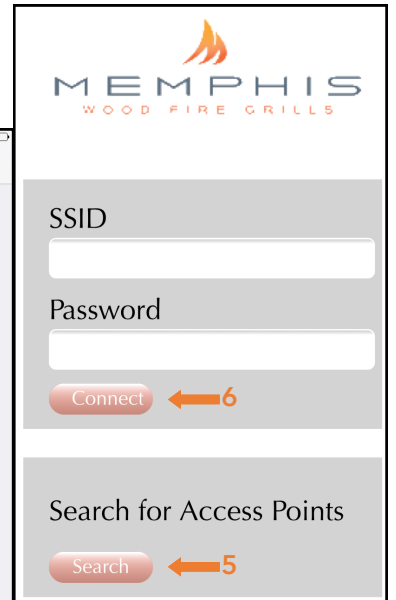
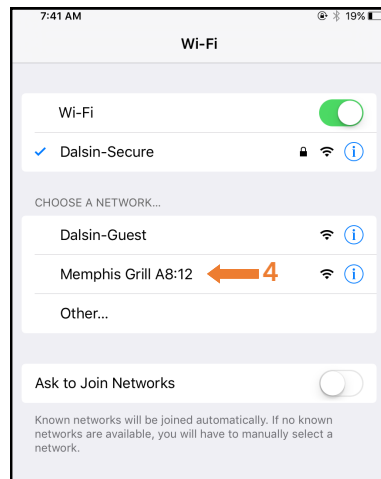


ON YOUR PHONE OR TABLET: (UNDER WIFI SETTINGS)

- 4) Simply go to available Wi-Fi networks on your phone or tablet and select the network "Memphis Grill XX:XX". **NOTE: The XX:XX characters will match the last 4 digits shown on the grill controller next to MAC.**
- 5) Once selected, the grill's network will automatically bring you to a page where you will connect your grill to your Wi-Fi network. Search for all networks in range by hitting "Search", and all networks in range are displayed. Click on the network desired and it will auto populate the "SSID" field with your selection. Enter your network's password if you have one. If the network does not require a password, leave the password field blank.

NOTE: Some devices will not bring up the page shown automatically. Once your device is connected to the grill's network, you can visit www.wificonfig.com to manually bring up the provisioning page

- 6) Click "CONNECT" and the page will automatically close.
- 7) The Wi-Fi setup is now complete. The status field in the grill's Wi-Fi menu should now read "WIFI CONNECTED". The time period from hitting "CONNECT" to "WIFI CONNECTED" can take up to 3 minutes based on connection strength.

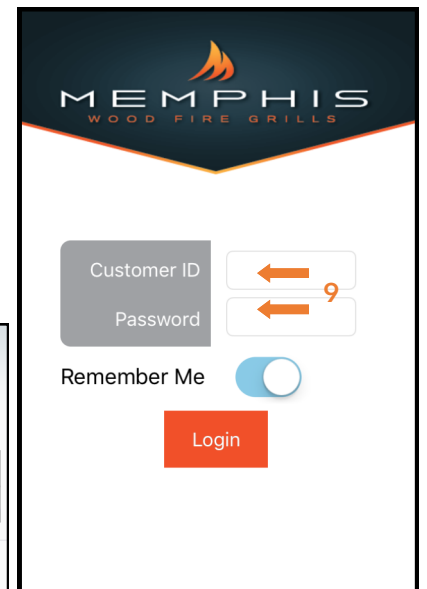
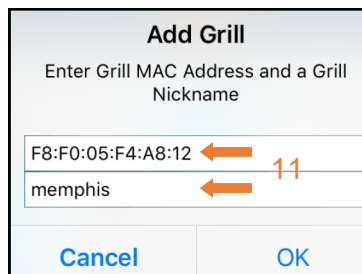


ON YOUR PHONE OR TABLET: (IN THE MEMPHIS GRILLS APP)

- 8) Download the "MEMPHIS GRILLS" App from the IOS App Store or Google Play Store.
- 9) Enter a valid email into the "CUSTOMER ID" field and create a password that you will use to log into the app. After logging in, you will receive an email requiring you to confirm your email address before continuing.
- 10) Once you click the confirmation link from your email, return to the app.
- 11) Log into the app again and you will be able to add your grill. Enter the exact MAC Address and Name shown on the grill controller.

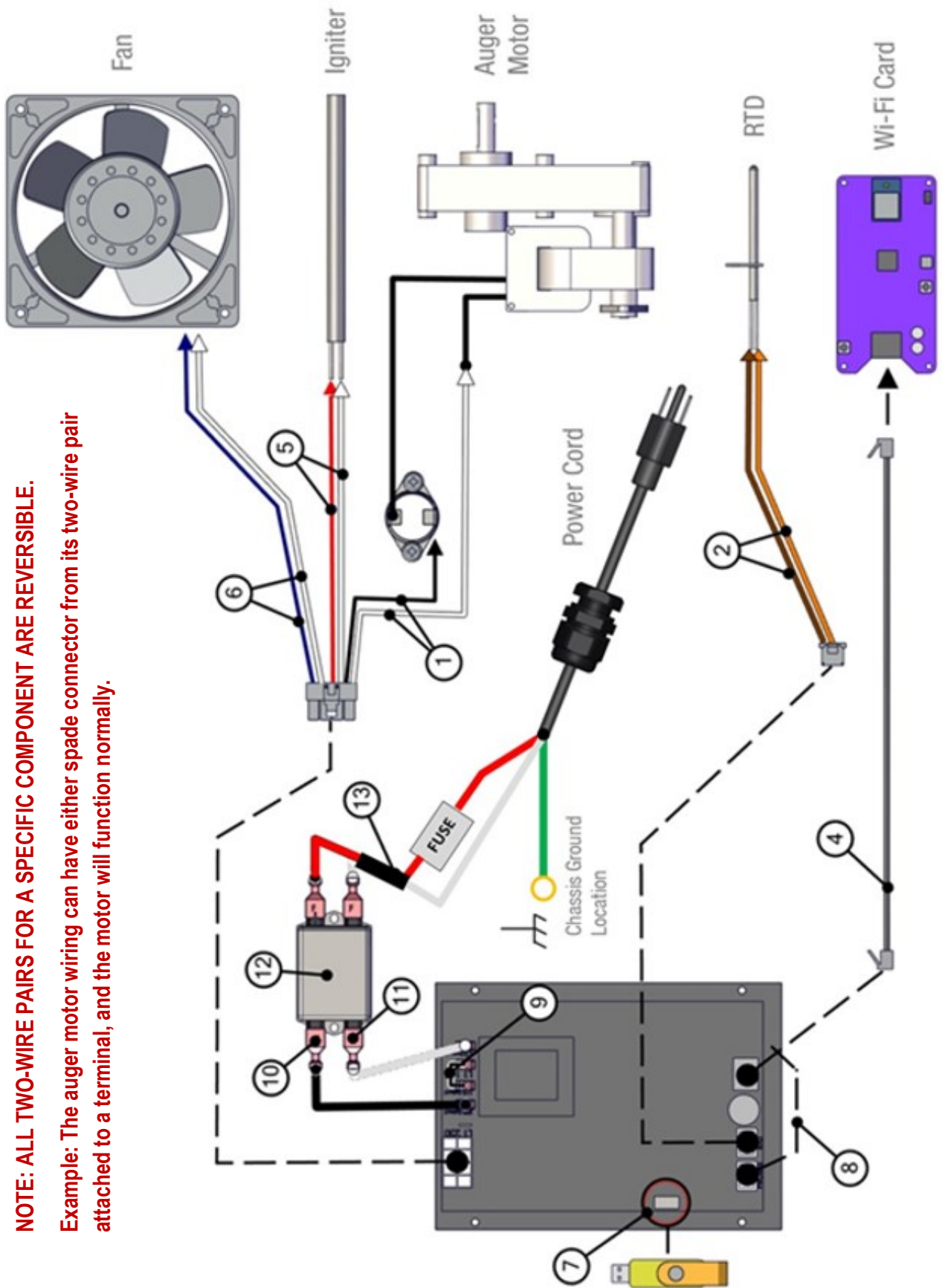
**Example: MAC: F8:F0:05:F4:A8:12
NAME: MEMPHIS**

NOTE: THE MAC ADDRESS INCLUDES ONLY NUMBERS, NO LETTERS. (AN "0" WOULD ALWAYS BE A ZERO.) NICKNAME IS NOT CASE SENSITIVE. INCLUDE COLONS IN THE MAC ADDRESS AS SHOWN.





Memphis Control Diagram



NOTE: ALL TWO-WIRE PAIRS FOR A SPECIFIC COMPONENT ARE REVERSIBLE.

Example: The auger motor wiring can have either spade connector from its two-wire pair attached to a terminal, and the motor will function normally.



Memphis Control Diagram continued

<u>Item #</u>	<u>NAME</u>	<u>Wire Identification</u>	<u>DESCRIPTION / INSTRUCTION</u>
1	Auger Motor Wiring	1x Black Wire, 1x White Wire Snap Disk Leads Extending from Auger Motor	Attach the white wire shown to one of the leads extending from the auger motor. Attach the black wire to the snap disk as shown. The 2 nd lead extending from the auger motor attaches to the opposite side of the snap disk as shown. The snap disk is a thermal switch which will cut power to the auger motor in the event that its critical temperature is reached.
2	RTD Wiring	1x Orange Wire, 1x Brown Wire	Attach both spade connectors to the leads extending from the RTD as shown above.
3	Grounding Wire	Green Wire	The connection point for the ground is located on the auger motor gearbox body as shown.
4	Ethernet Cable	Black Cable with Ethernet End	Attach the Ethernet cable to the terminal on the Wi-Fi card as shown. Ensure that the wiring does not interfere with the auger motor's moving components.
5	Igniter Wiring	1x Red Wire, 1x White Wire	Attach both spade connectors to the leads extending from the igniter. These leads will extend from next to the fan.
6	Fan Wiring	1x Blue Wire w/ 2 spade ends, 1x White Wire w/ 2 spade ends	Attach the connections on this jumper to the two tabs located on the side of the fan housing.
7	USB Port	N/A	Used to update your grill.
8	Meat Probe Wiring	1x Red Wire 1x Black Wire, Wires twisted around each other	This terminal is used to connect the meat probes to the controller.
9	120/240 Select Jumper	1x Black Wire	Used when changing the input voltage to the controller, see "120v to 240v Conversion" section of the main manual for information.
10	AC Load Wire from Filter to Controller	1x Black Wire	Carries AC voltage from the filter to the control board, load wire.
11	AC Neutral Wire from Filter to Controller	1x White Wire	Carries AC voltage from the filter to the control board, neutral wire.
12	Filter	N/A	Reduces electrical feedback. Line = Outlet Side, Load = Grill Side. L1 = Load L2= Neutral
13	MOV + Fuse Holder	1x Red Wire 1x White Wire. Pair is joined in the middle with black shrink wrap. Fuse holder is cylindrical and white plastic.	A two-wire component, which has a ferrite choke to eliminate input electrical disturbances from the grid, connects to Load and Neutral terminals. Fuse holder accepts a 5 amp glass fuse.

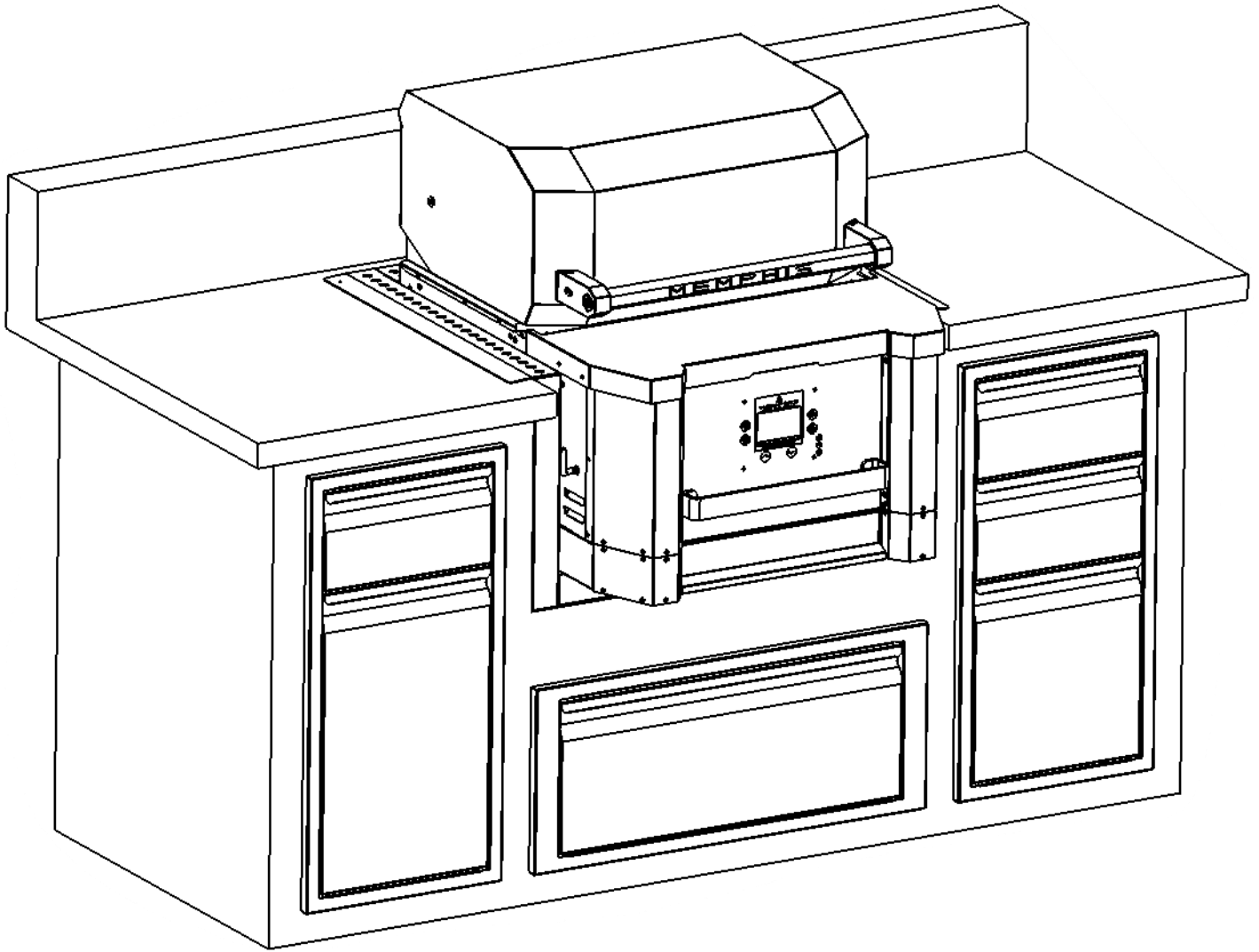
CONTACT YOUR DEALER OR MEMPHIS GRILLS TECHNICAL SERVICE WITH ANY QUESTIONS.

TECHNICAL SERVICE NUMBER: 1-888-883-2260

MEMPHIS



Built-in Brackets Assembly



MODEL NUMBER: MG11-06-001

1. Cutout Dimensions
2. Dimensions
3. Parts List
4. Assembly Instructions



Built-In Cutout Dimensions

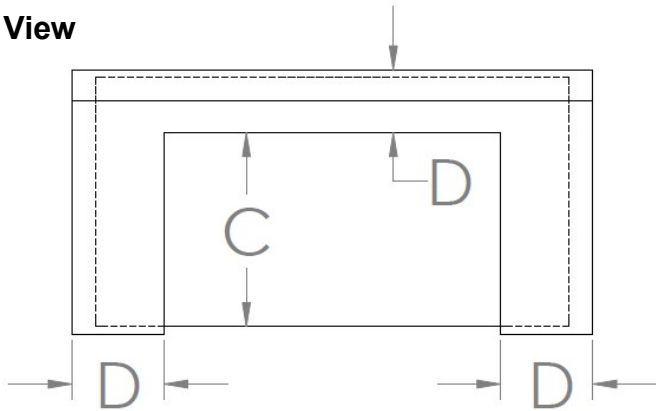
WARNING: See clearance to combustible materials when designing and constructing a built-in island. Built-In islands must be built to the cutout dimension specifications below.

The owner and/or builder are responsible for consulting local, county, and state building codes for securing any necessary building permits before construction. **NOTE:** Construction codes vary from locality to locality.

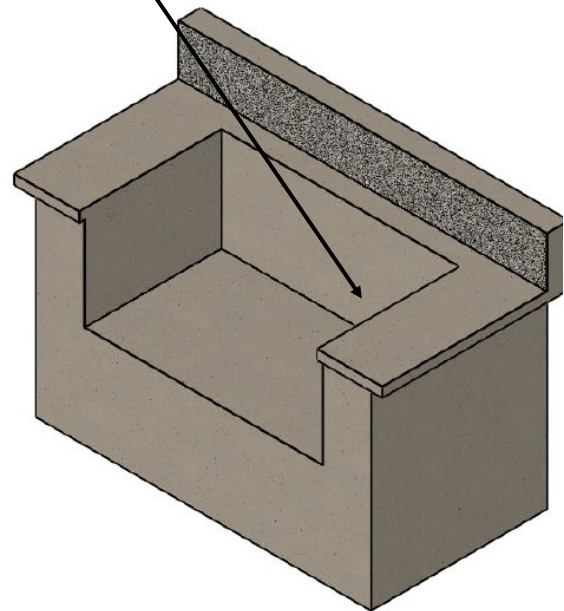
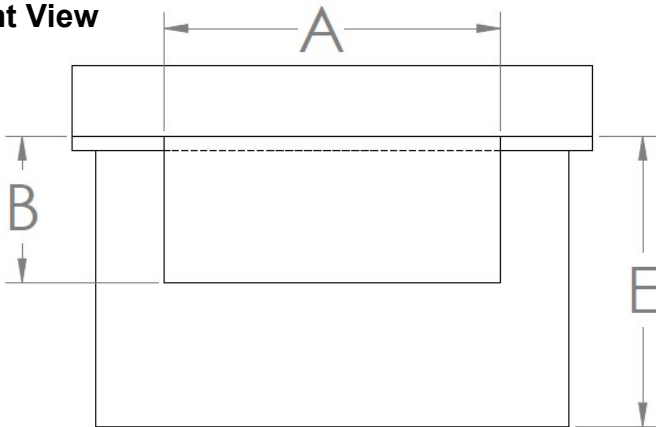
NOTE: Dimensions are to the finished surfaces. Grill cavity surfaces are to be plumb and level to ensure a proper fit.

Power Requirements
110/120VAC* supply required within 10 feet of the ITC.

Top View



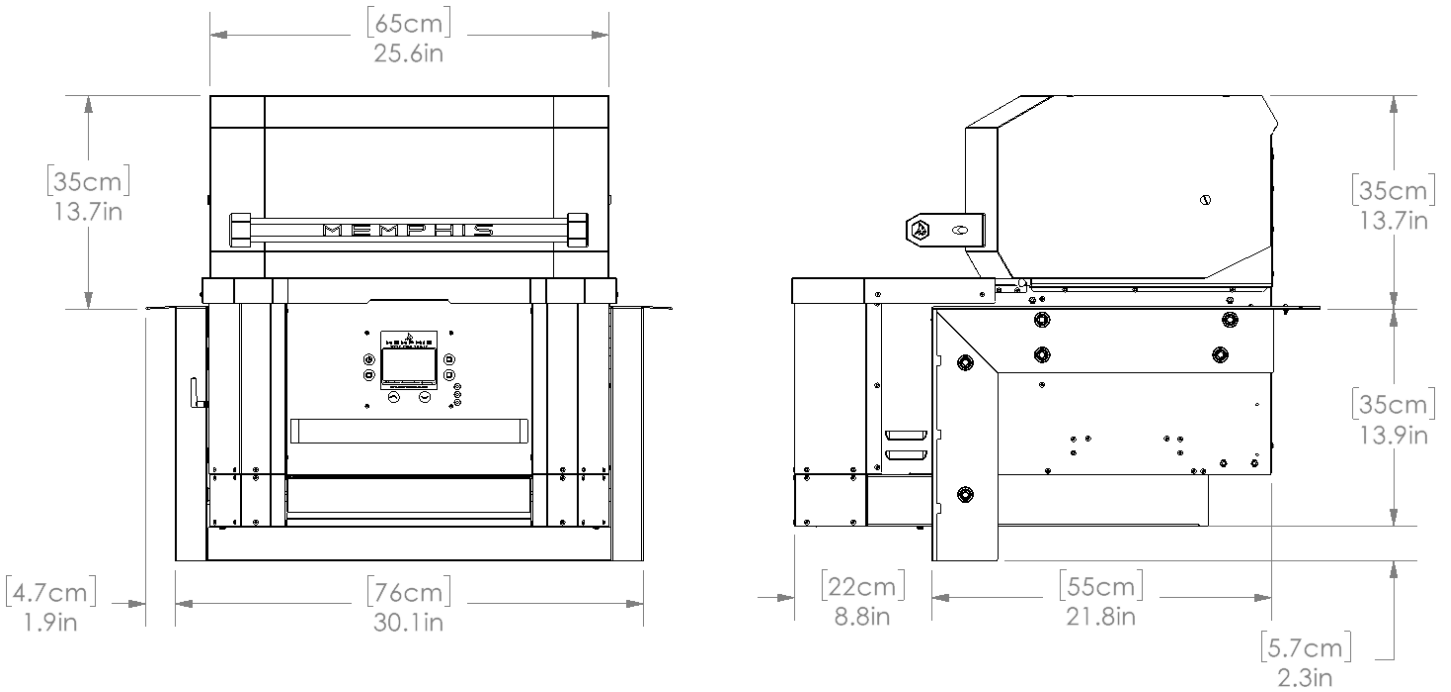
Front View



	CUTOUT DIMENSIONS	TOLERANCE
A	30 1/4" [76.9 cm]	+/- 1/8" [0.30 cm]
B	16 3/4" [42.6 cm]	+/- 1/8" [0.30 cm]
C	24 1/2" [62.9 cm]	+/- 1/8" [0.30 cm]
D	3 1/2" MIN [8.9 cm]	-
E	Standard Cabinet Height	-



Built-in Bracket Dimensions

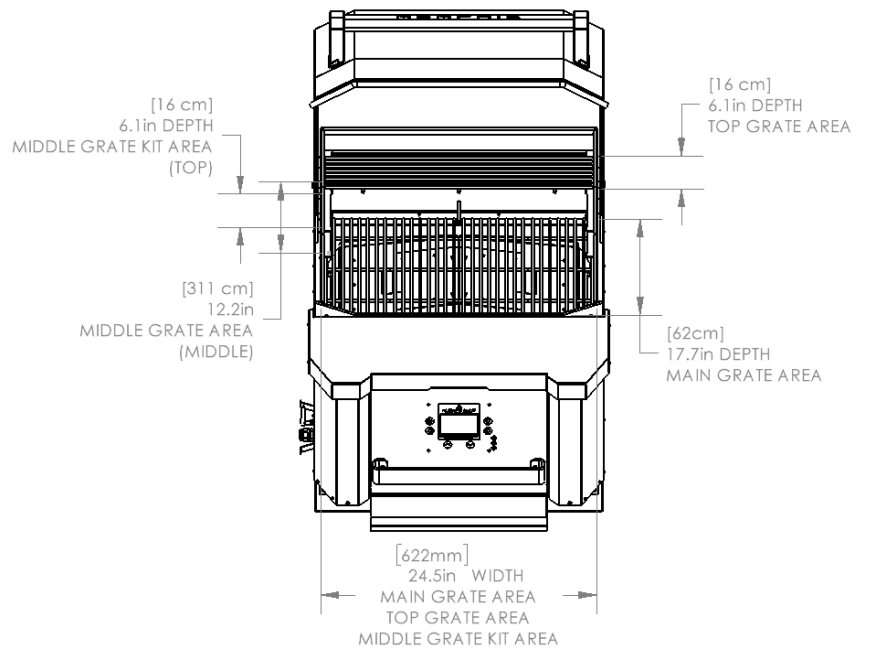


Additional Grill Dimensions

Main Grate Area– 24.5 in X 17.7 in	[62 cm X 45 cm]	428 in ²	[2,761 cm ²]
Top Grate Area– 24.5 in X 6.125 in	[63 cm X 16 cm]	150 in ²	[968 cm ²]
*Middle Grate Kit Area– 3 x 24.5 in X 6.125 in	[3 x 63 cm X 16 cm]	501 in ²	[3,232 cm ²]

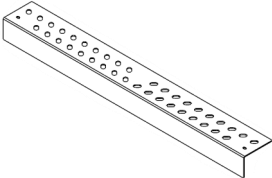
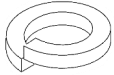
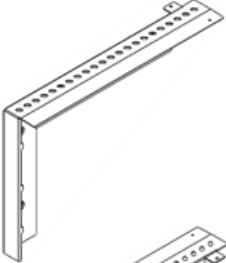
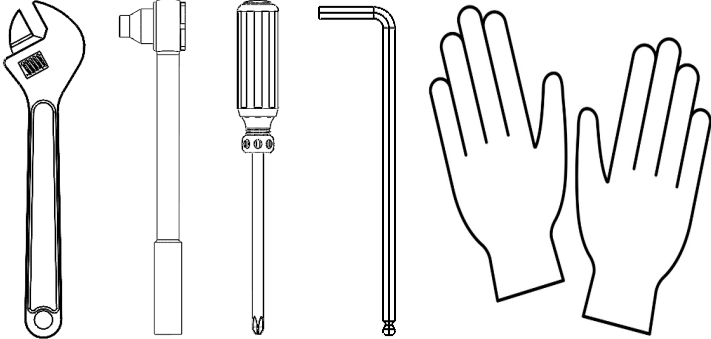
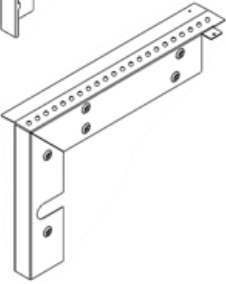
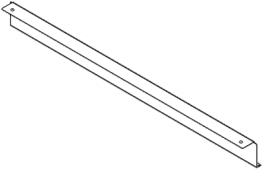
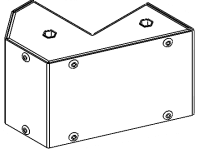
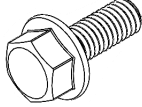

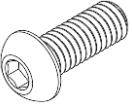

* - Item sold separately

Grill Height with Hood Open– 40.0 in [102 cm]





Built-In Brackets Parts List

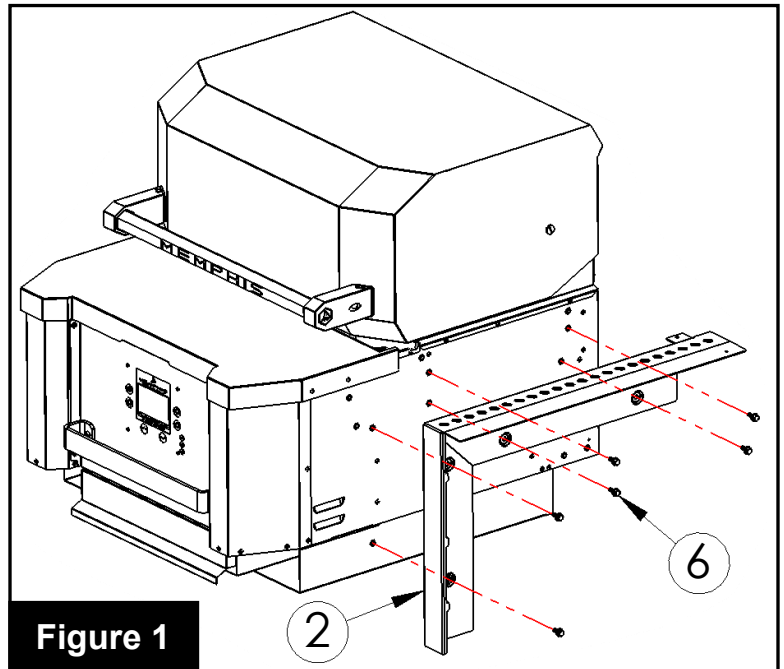
<u>Description/ Part No.</u>	<u>Qty:</u>	<u>Picture:</u>	<u>Description/ Part No.</u>	<u>Qty:</u>	<u>Picture:</u>
1. Rear Mounting Bracket BG8001	1		9. M6 Lock Washer MH02-00002	6	
2. Right Mounting Bracket MA01-00013	1		<p><u>TOOLS REQUIRED</u></p> <ul style="list-style-type: none"> • 10mm Open-end Wrench, Socket or Adjustable Wrench • Phillips Screwdriver or Drill • 4mm Allen Wrench • Cut-Resistant Gloves 		
3. Left Mounting Bracket MA01-00014	1				
4. Lower Mounting Bracket MD01-00041	1				
5. Front Lower Cap MA09-00022	1				
6. M6 Screw (SS) MH01-00015	12		<p><u>ESTIMATED TIME REQUIRED</u></p> <p>0.75 Hours (excludes removal of protective film)</p> 		
7. M6 Screw (SS) MH01-00021	6				
8. #10 Screw (SS) DS2186	2				



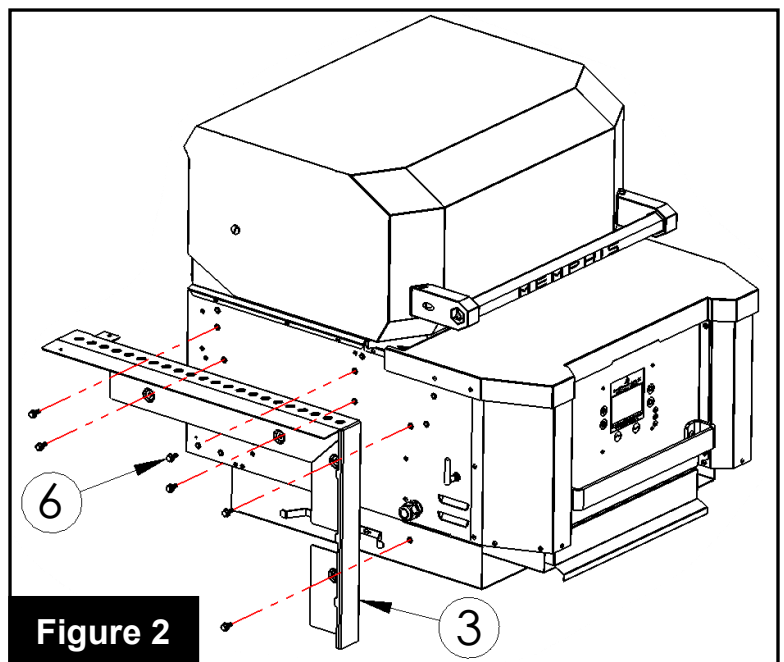
Built-In Brackets: Assembly Instructions

Peel all plastic protective film off prior to performing the assembly steps listed below. Refer to page 16 for item part numbers, descriptions, and quantities.

Step 1) Attach right mounting bracket (Part 2) onto the right side of the grill using 6 screws (Part 6) (**See Figure 1**).



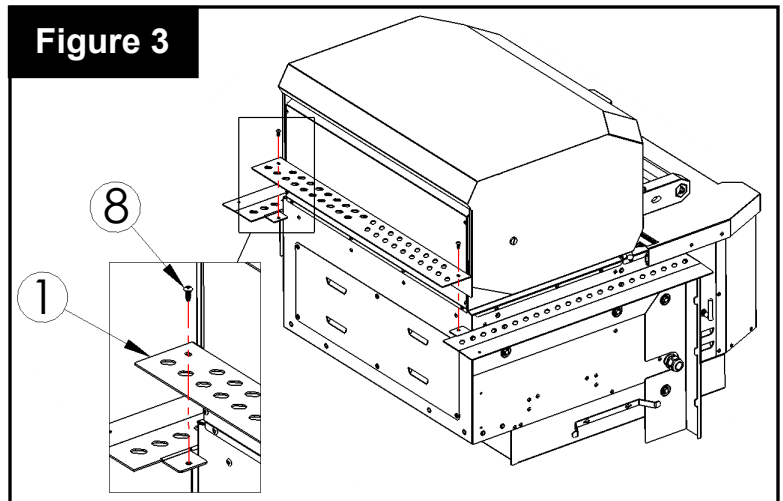
Step 2) Attach left mounting bracket (Part 3) onto the left side of the grill using 6 screws (Part 6) (**See Figure 2**).



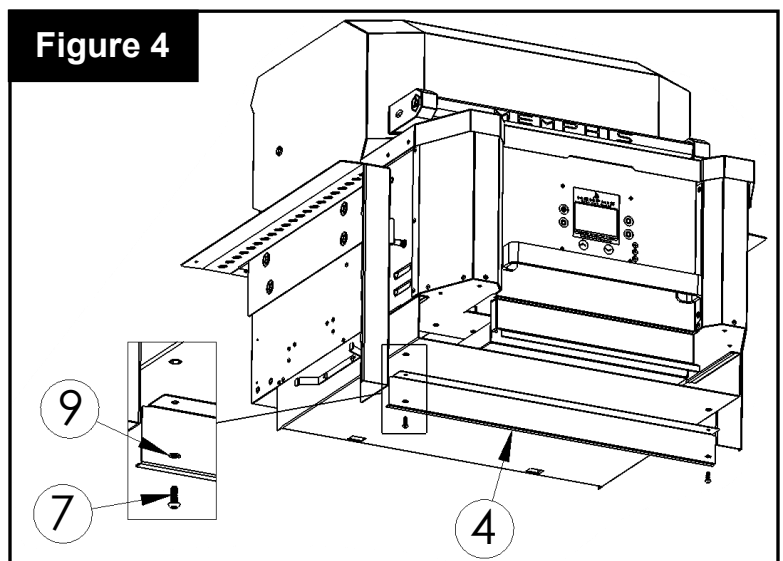


Built-In Brackets: Assembly Instructions

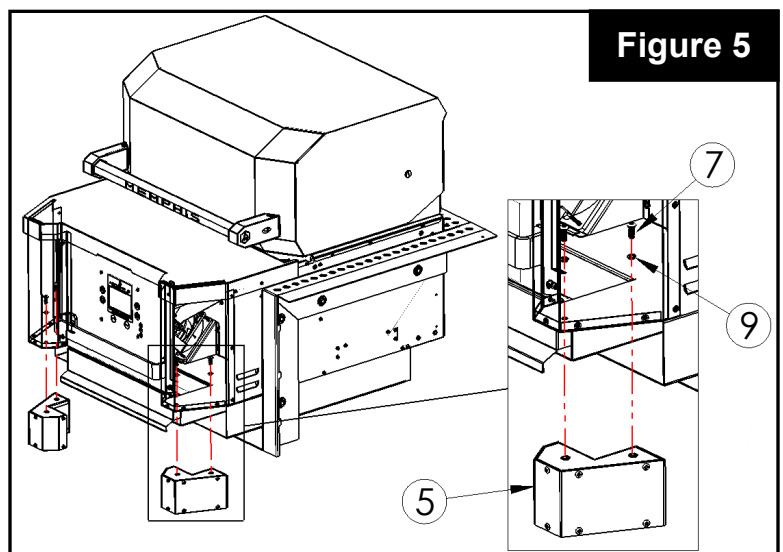
Step 3) Attach rear mounting bracket (Part 1) onto the side brackets using 2 screws (Part 8) (See Figure 3).



Step 4) Attach lower mounting bracket (Part 4) onto the bottom of the grill using 2 screws (Part 7) and 2 washers (Part 9) (See Figure 4).



Step 5) Attach front lower caps (Part 5) onto the bottom corners of the grill using 4 screws (Part 7) and 4 washers (Part 9) (See Figure 5).





Built-In Brackets: Assembly Instructions

Step 6) With two people, lift the grill onto the island countertop and slide into the island cutout (See **Figures 6a & 6b**). Ensure vent holes on mounting brackets remain unobstructed for proper air circulation (See **Figure 6c**).

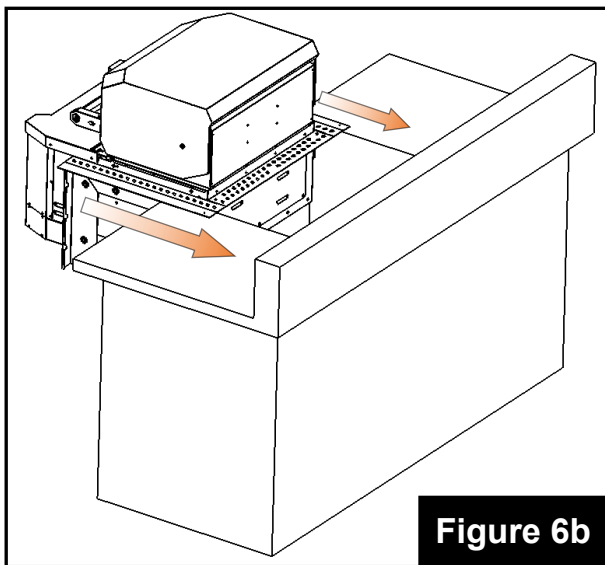


Figure 6b

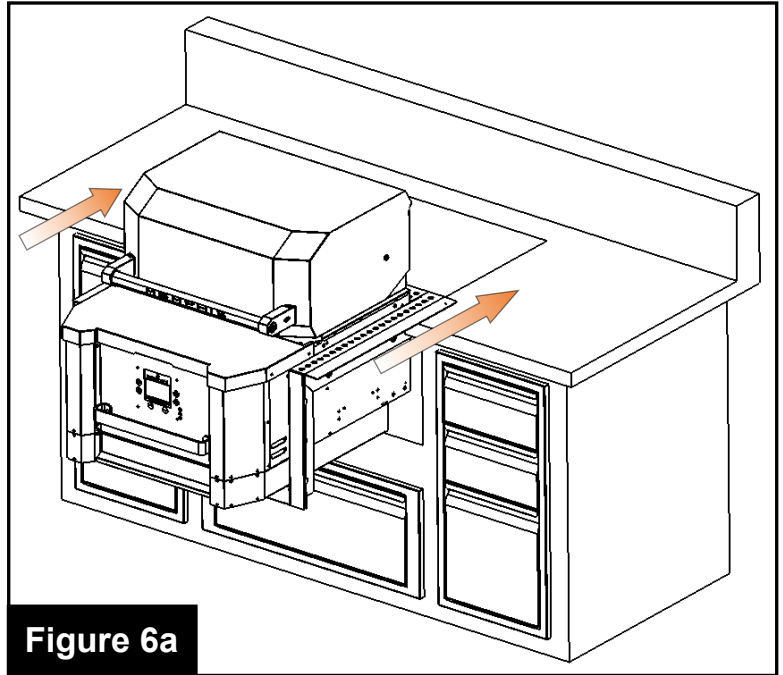


Figure 6a

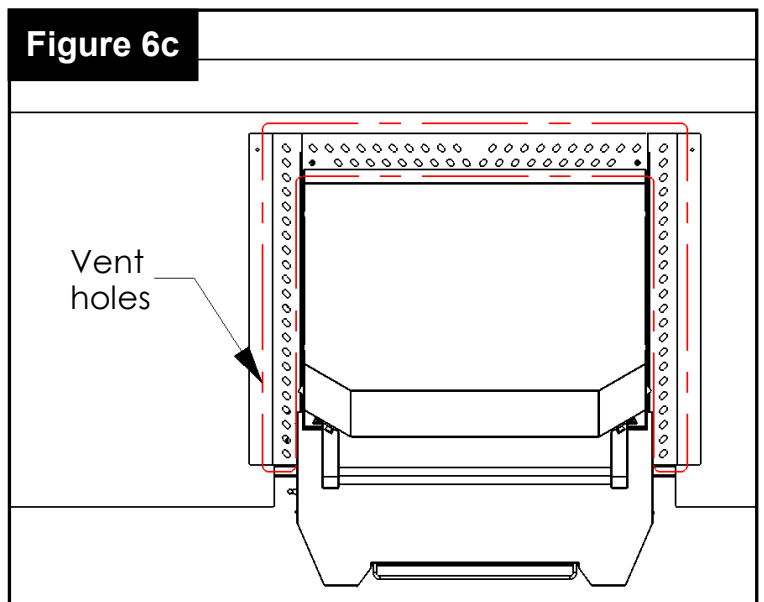
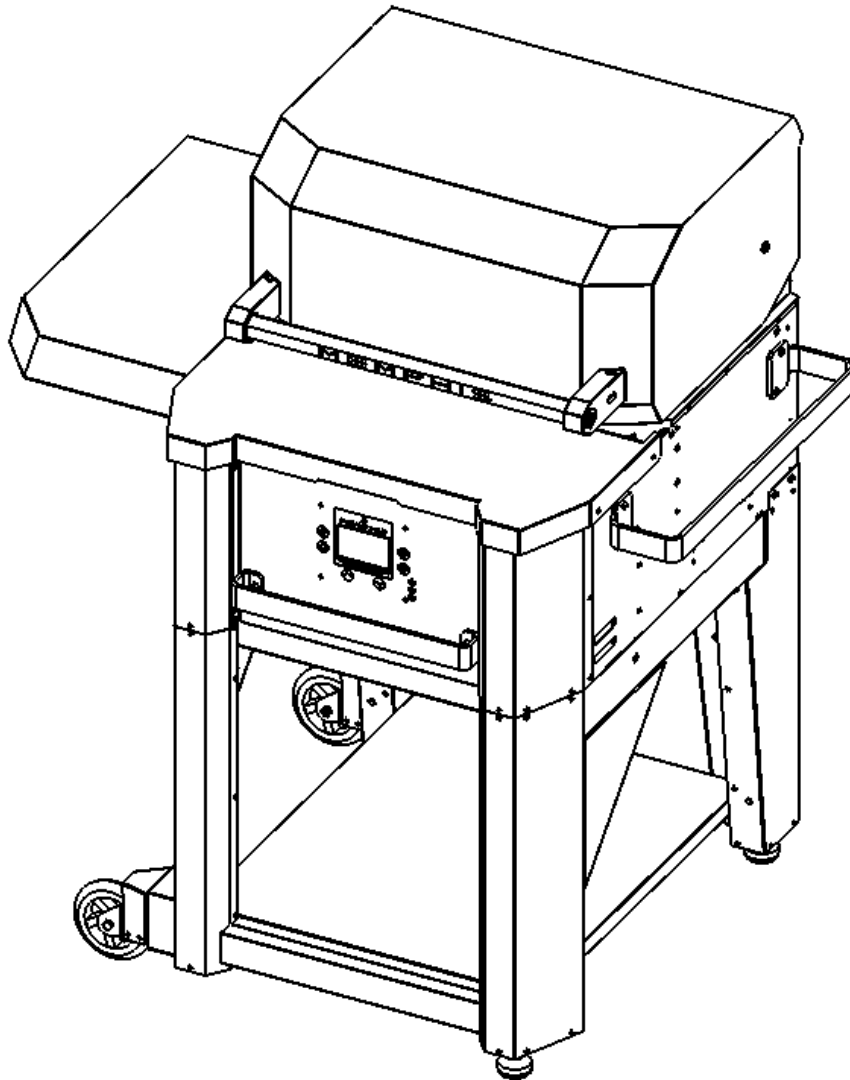


Figure 6c



Leg Assembly

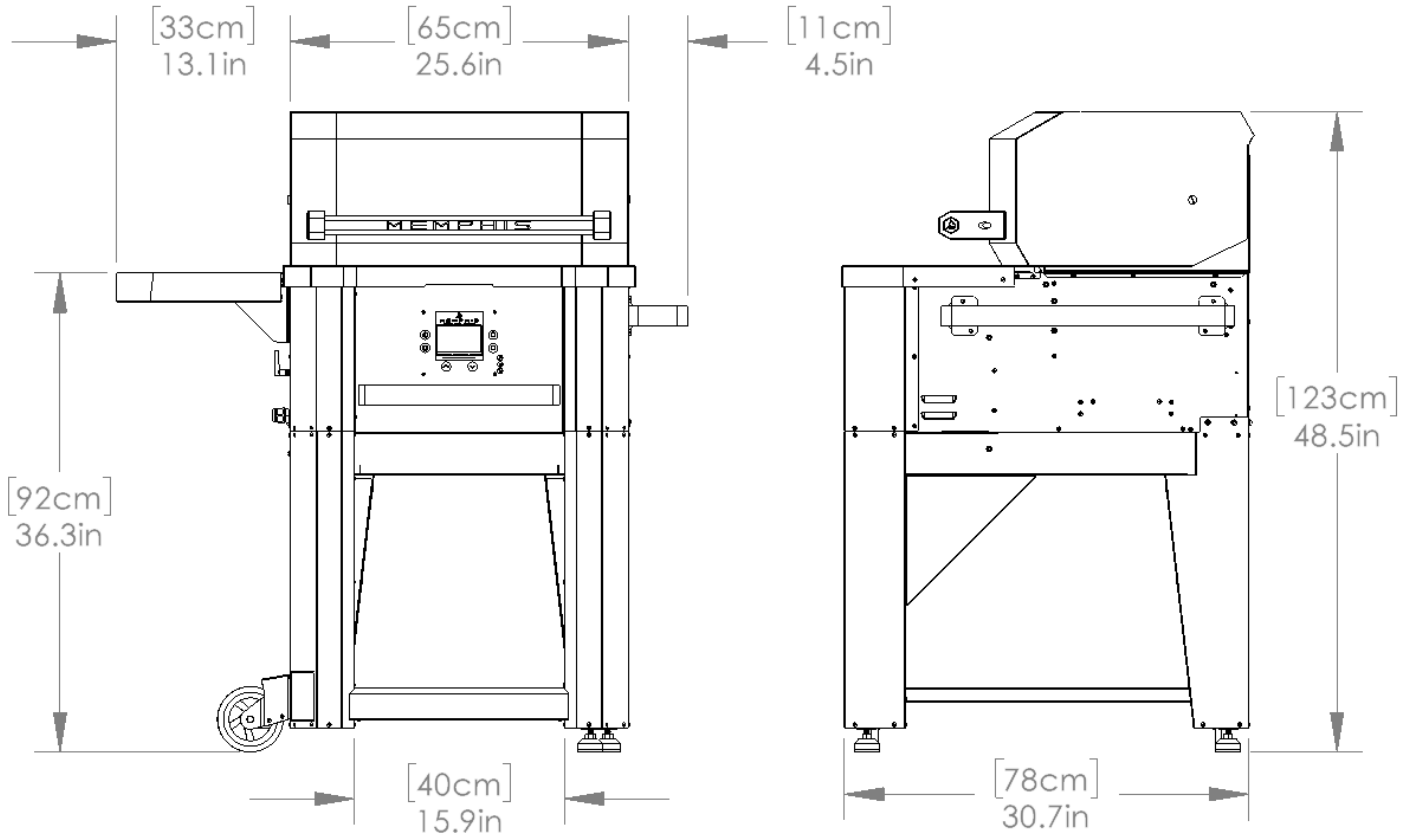


MODEL NUMBER: MG11-06-002

1. Dimensions
2. Parts List
3. Assembly Instructions



Leg Assembly Dimensions

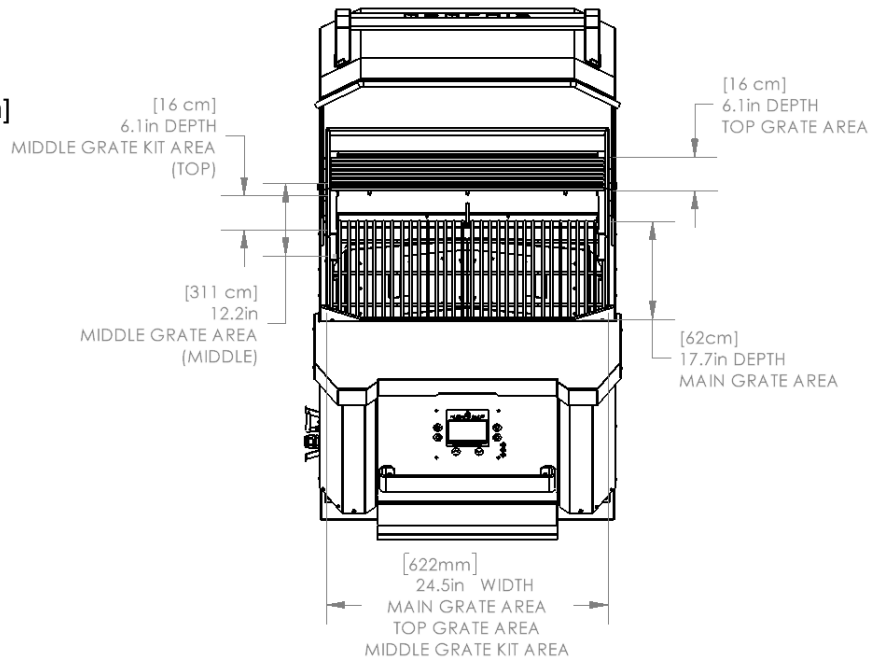


Additional Grill Dimensions

Main Grate Area– 24.5 in X 17.7 in	[62 cm X 45 cm]	428 in ²	[2,761 cm ²]
Top Grate Area– 24.5 in X 6.125 in	[63 cm X 16 cm]	150 in ²	[968 cm ²]
*Middle Grate Kit Area– 3 x 24.5 in X 6.125 in	[3 x 63 cm X 16 cm]	501 in ²	[3,232 cm ²]

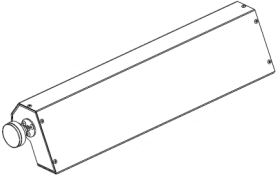
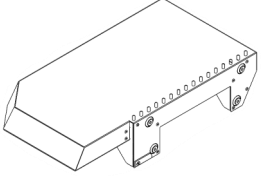
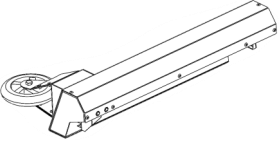
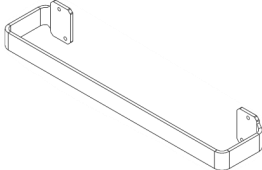
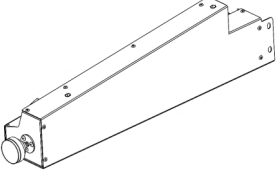
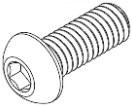
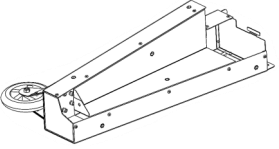
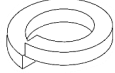
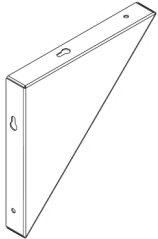
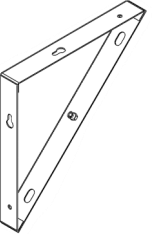
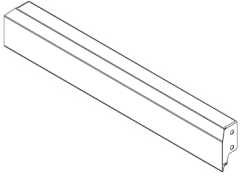
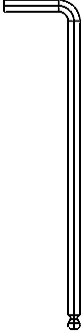

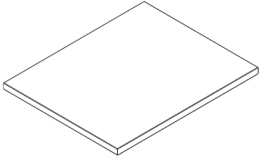

* - Item sold separately

Grill Height with Hood Open– 60.9 in [155 cm]





Leg Assembly Parts List

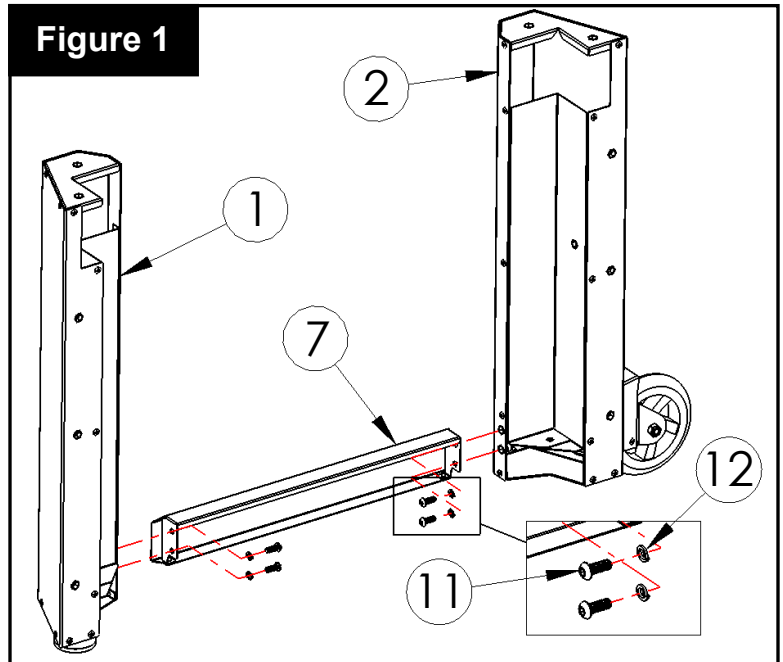
<u>Description/ Part No.</u>	<u>Qty:</u>	<u>Picture:</u>	<u>Description/ Part No.</u>	<u>Qty:</u>	<u>Picture:</u>
1. Front Right Leg MA09-00013	1		9. Left Side Shelf MA06-00011	1	
2. Front Left Leg MA09-00023	1		10. Grill Side Handle MD01-00035	1	
3. Rear Right Leg MA09-00015	1		11. M6 Screw (SS) MH01-00021	36	
4. Rear Left Leg MA09-00024	1		12. M6 Lock Washer MH02-00002	36	
5. Front Right Leg Brace MA09-00020	1		<u>TOOLS REQUIRED</u>		
6. Front Left Leg Brace MA09-00030	1		<ul style="list-style-type: none"> • 4mm Allen Wrench • Cut-Resistant Gloves 		
7. Bottom Cross Brace MA09-00005	1		 		
8. Lower Shelf MA06-00003	1		<u>ESTIMATED TIME REQUIRED</u>		
			1.50 Hours (excludes removal of protective film) 		



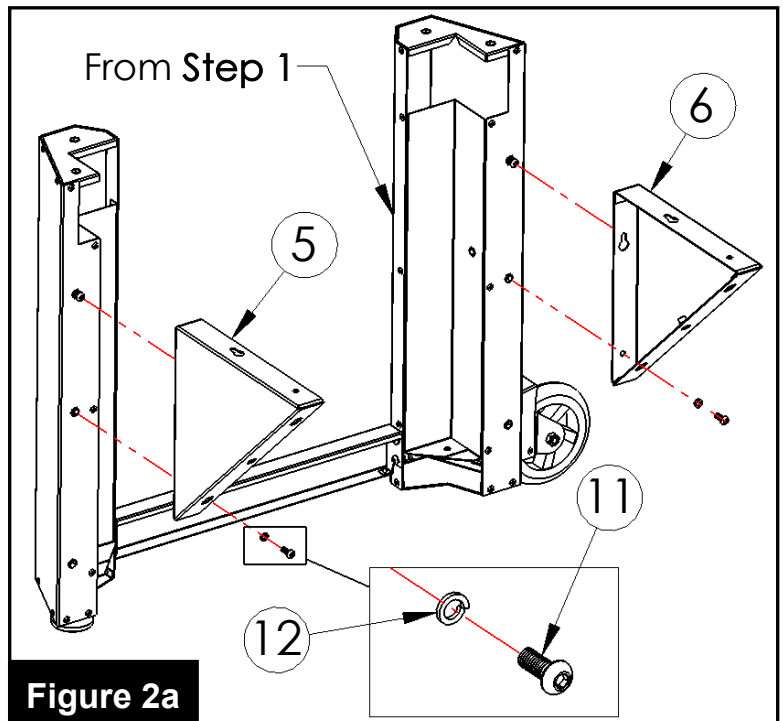
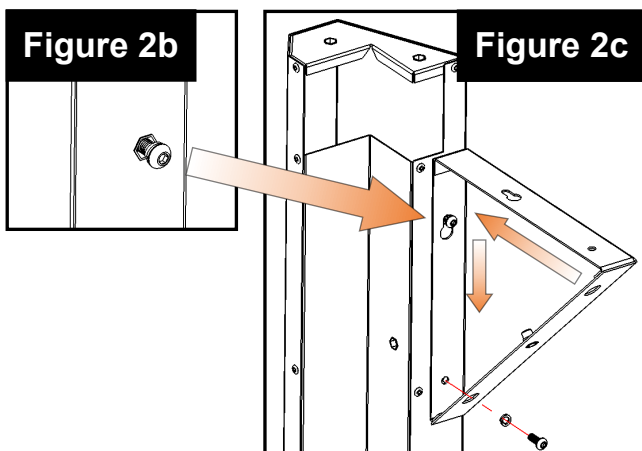
Leg Assembly: Assembly Instructions

Peel all plastic protective film off prior to performing the assembly steps listed below. Refer to page 22 for item part numbers, descriptions, and quantities.

Step 1) Attach bottom cross brace (Part 7) to front right leg (Part 1) and front left leg (Part 2) using 4 screws (Part 11) and 4 lock washers (Part 12) (**See Figure 1**).



Step 2) Attach front leg braces (Part 5 & Part 6) onto the front legs from **Step 1** using 4 screws (Part 11) and 4 lock washers (Part 12) (**See Figure 2a**). Partially thread screws with lock washers onto the top holes, and then insert and position the leg braces before tightening (**See Figures 2b & 2c**).





Leg Assembly: Assembly Instructions

Step 3) Lay grill on its back. Attach rear legs (Part 3 & Part 4) onto the grill using 4 screws (Part 11) and 4 lock washers (Part 12) (See **Figure 3a**). Slide and set the tab into the slot (See **Figures 3b & 3c**) before threading on the screws with lock washers.

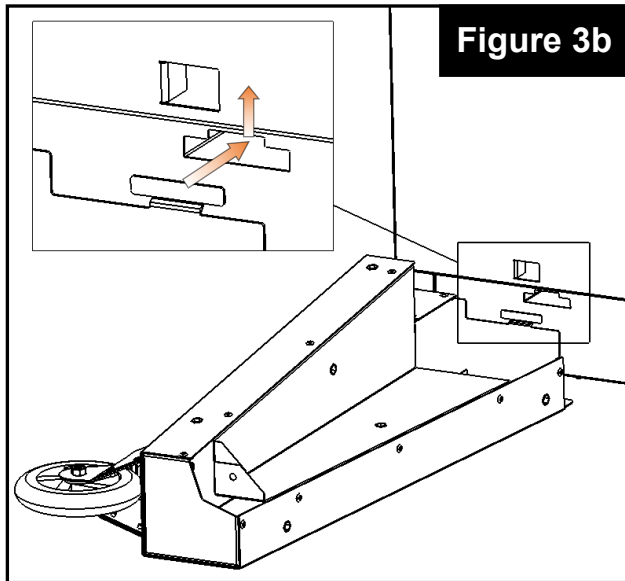


Figure 3b

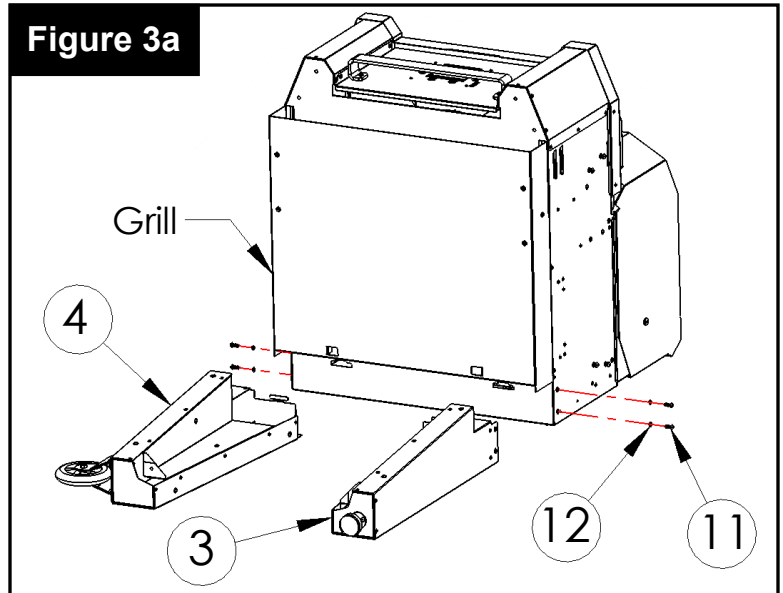


Figure 3a

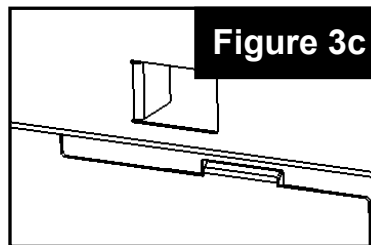


Figure 3c

Step 4) Attach the front leg assembly from **Step 2** using 4 screws (Part 11) and 4 lock washers (Part 12) (See **Figure 4a**). Partially thread screws with lock washers onto the top holes, and then insert and position the leg braces before tightening (See **Figure 4b**).

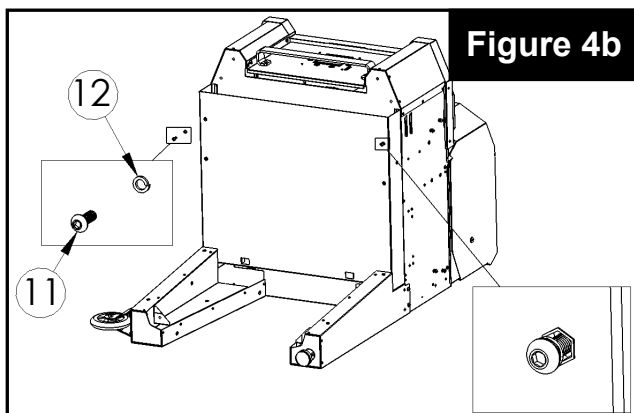


Figure 4b

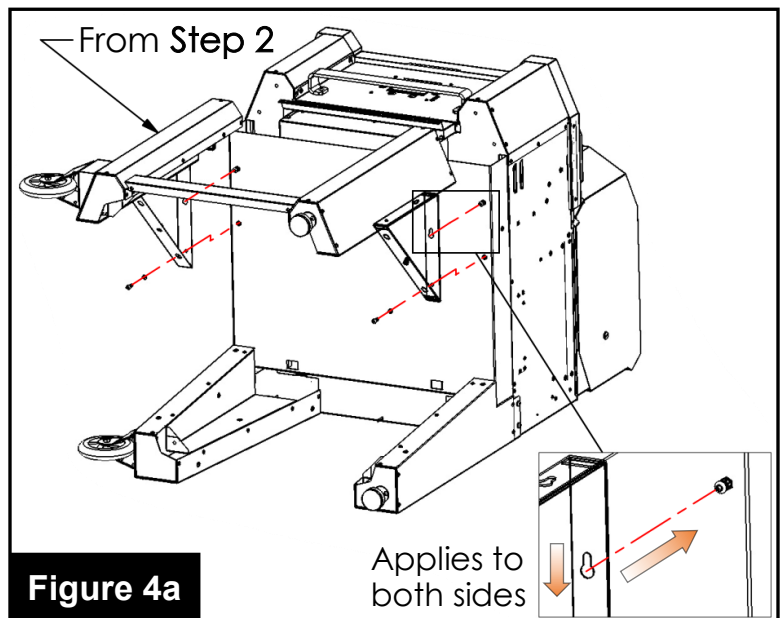


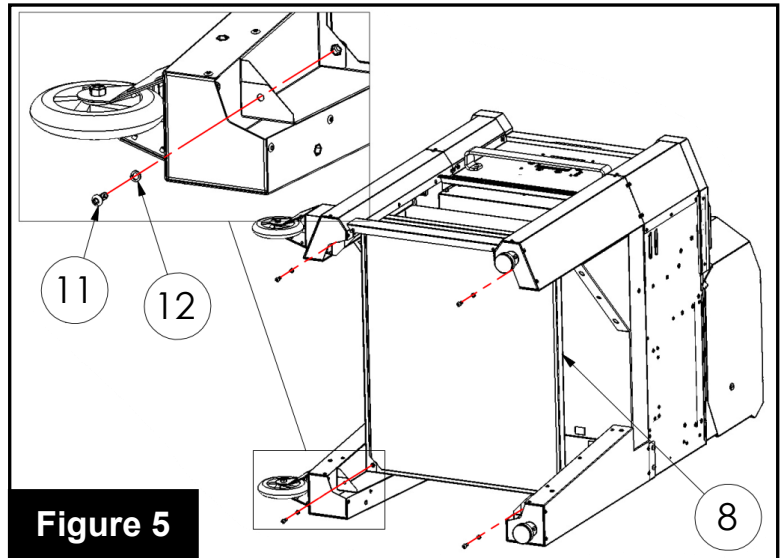
Figure 4a

Applies to both sides

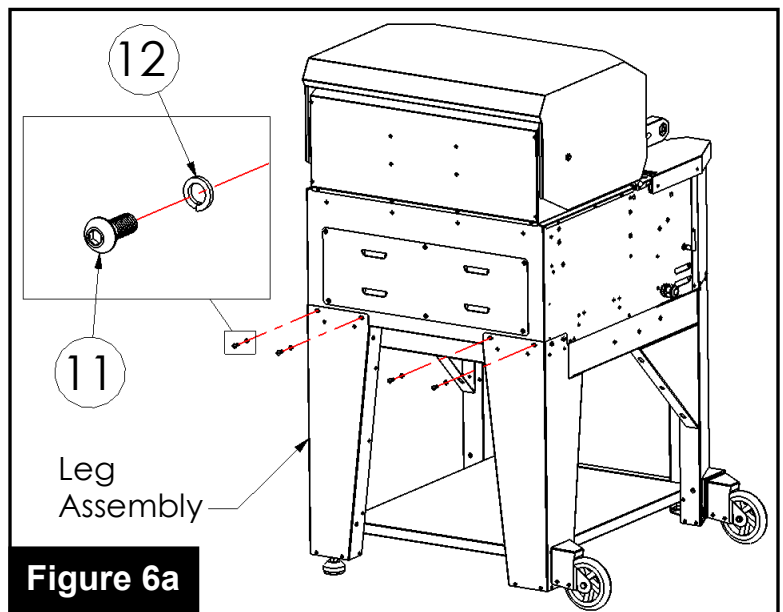
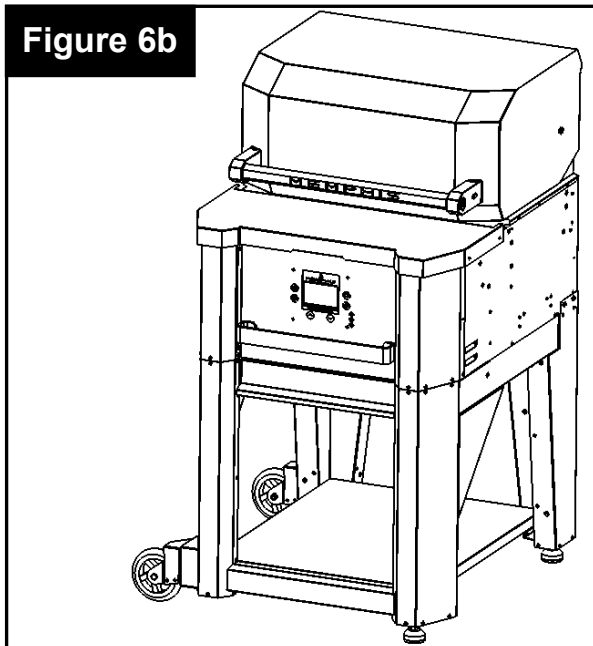


Leg Assembly: Assembly Instructions

Step 5) Attach lower shelf (Part 8) onto the leg assembly using 4 screws (Part 11) and 4 lock washers (Part 12) (See Figure 5).



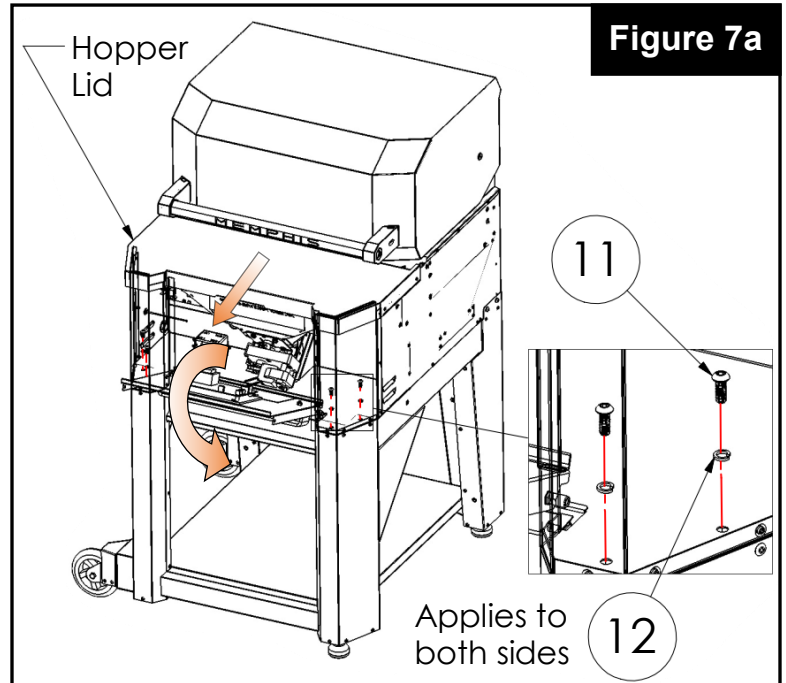
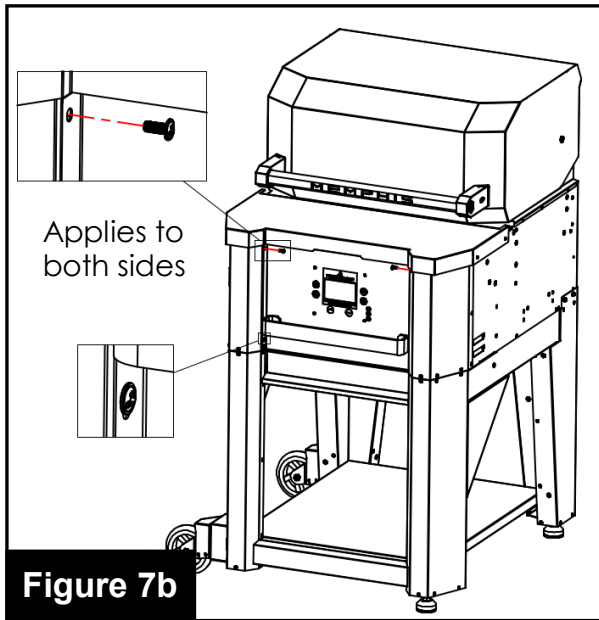
Step 6) With two people, lift grill into the upright position (See Figure 6b). From the rear of the grill, attach the leg assembly onto the grill using 4 screws (Part 11) and 4 lock washers (Part 12) (See Figure 6a).



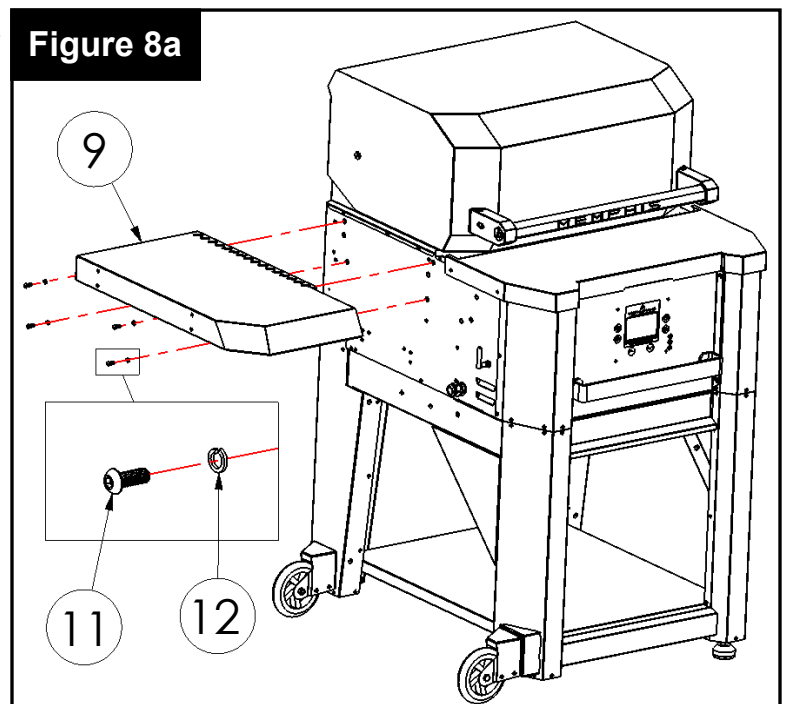
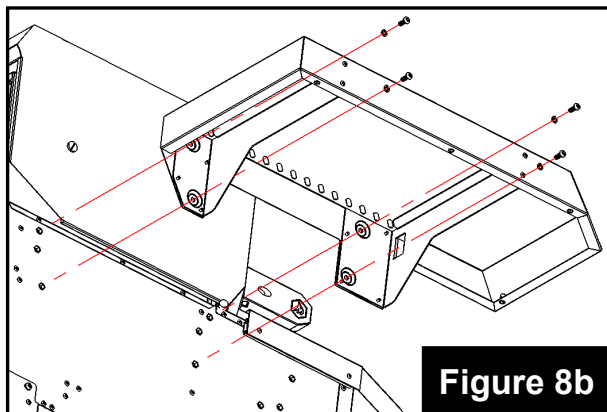


Leg Assembly: Assembly Instructions

Step 7) Loosen the bottom two screws and remove the top two screws from the front panel (See **Figure 7b**). Slide the hopper lid forward, and lift and rotate the front panel forward to access the interior. Attach the grill to the legs using 4 screws (Part 11) and 4 lock washers (Part 12) (See **Figure 7a**).



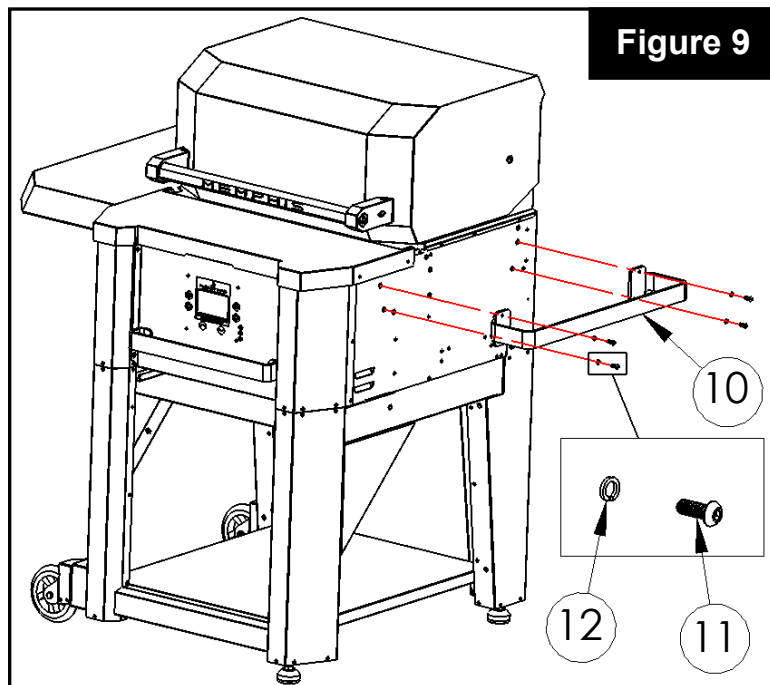
Step 8) Attach left side shelf (Part 9) onto the left side of the grill using 4 screws (Part 11) and 4 lock washers (Part 12) (See **Figure 8a & 8b**).





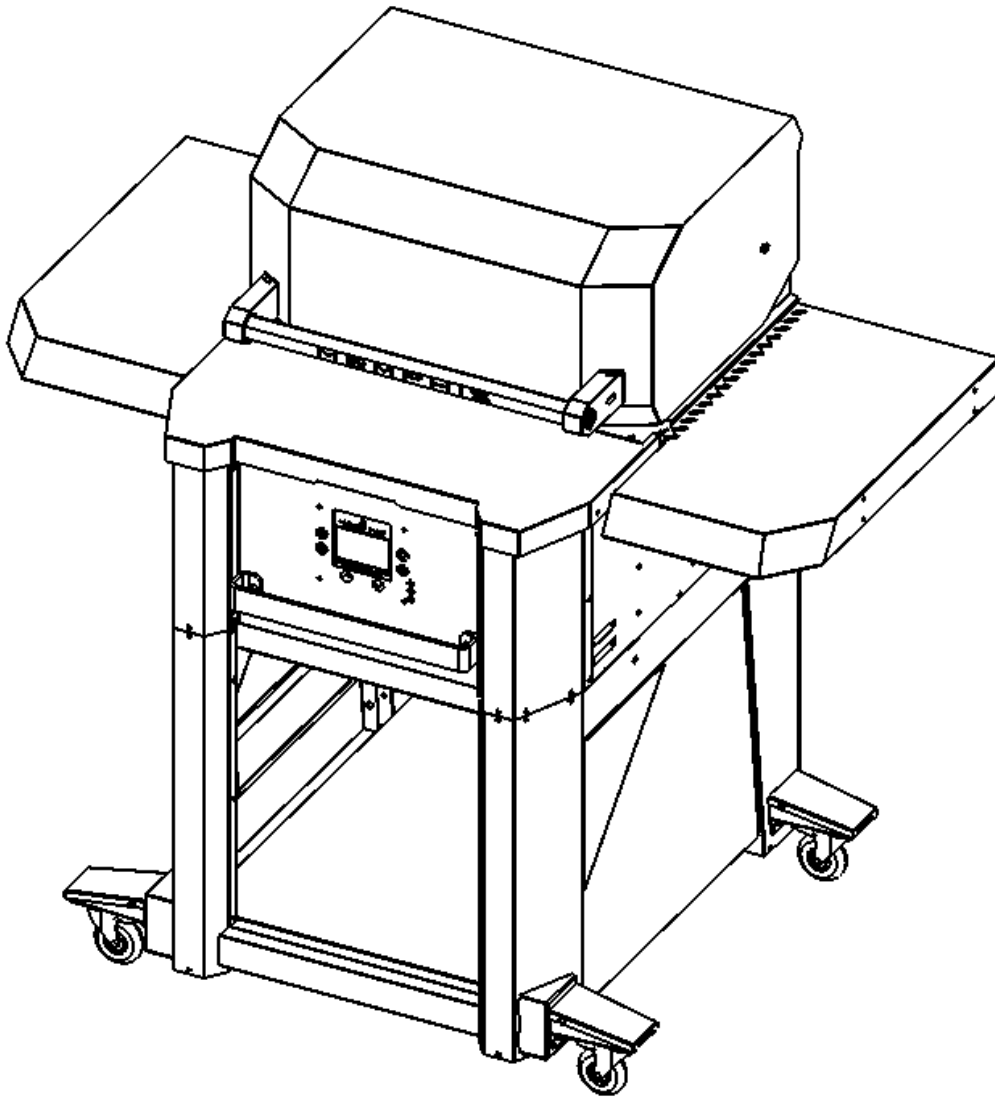
Leg Assembly: Assembly Instructions

Step 9) Attach grill side handle (Part 10) onto the right side of the grill using 4 screws (Part 11) and 4 lock washers (Part 12) (See





Surround Assembly

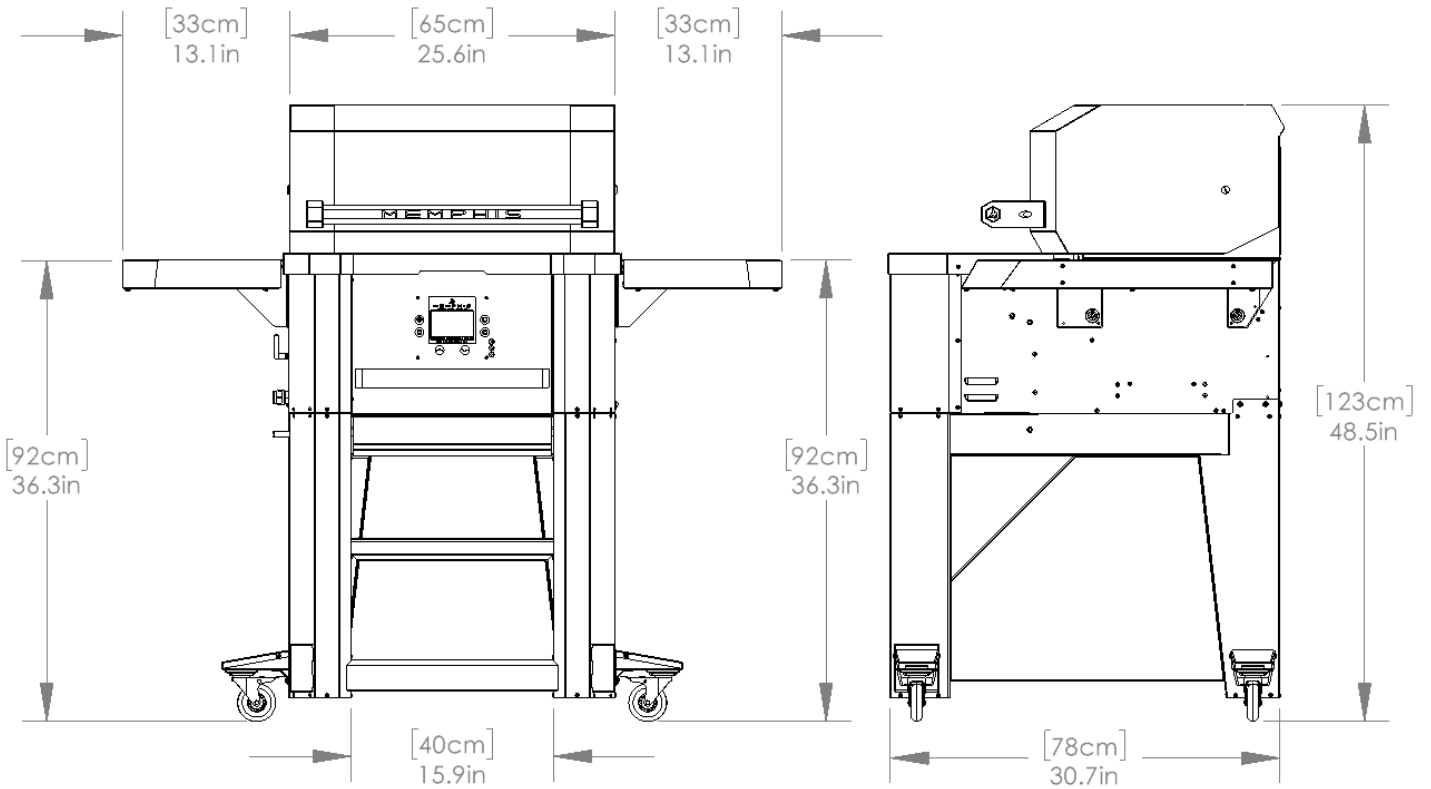


MODEL NUMBER: MG11-06-003

1. Dimensions
2. Parts List
3. Assembly Instructions



Surround Assembly Dimensions

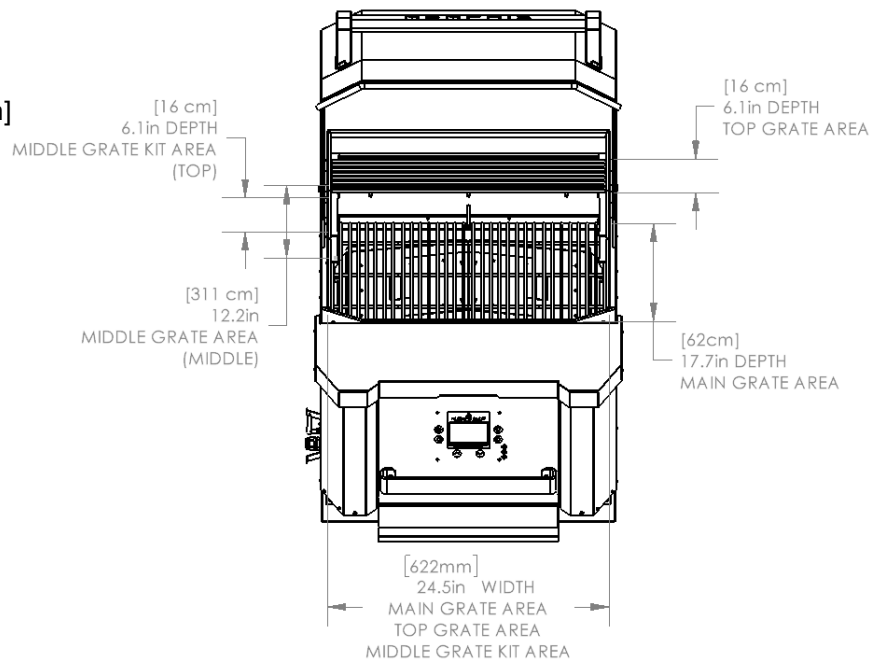


Additional Grill Dimensions

Main Grate Area– 24.5 in X 17.7 in	[62 cm X 45 cm]	428 in ²	[2,761 cm ²]
Top Grate Area– 24.5 in X 6.125 in	[63 cm X 16 cm]	150 in ²	[968 cm ²]
*Middle Grate Kit Area– 3 x 24.5 in X 6.125 in	[3 x 63 cm X 16 cm]	501 in ²	[3,232 cm ²]

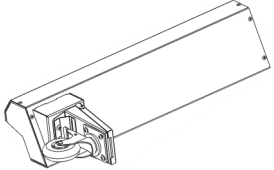
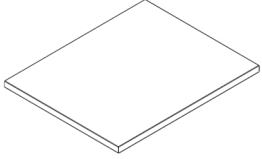
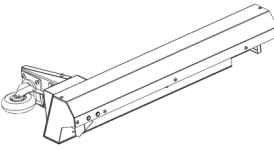
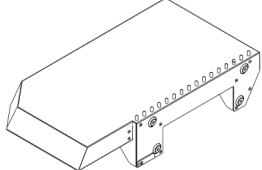
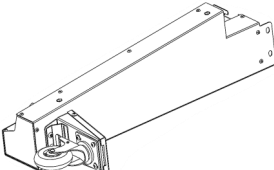
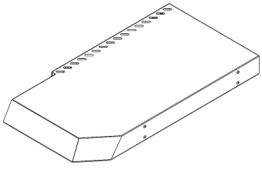
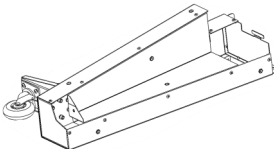
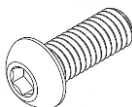
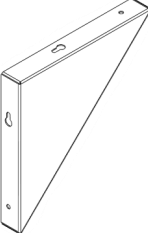

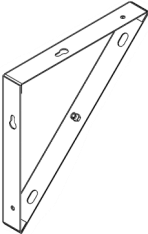
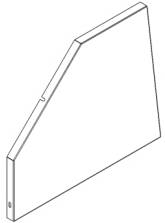
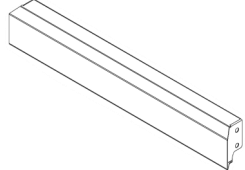
* - Item sold separately

Grill Height with Hood Open– 60.9 in [155 cm]



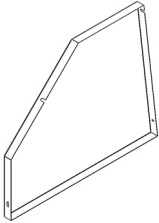
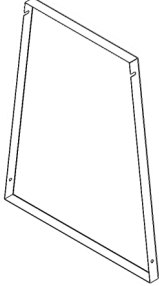
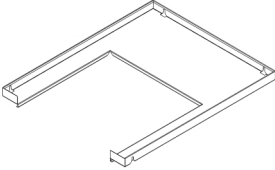


Surround Assembly Parts List

<u>Description/ Part No.</u>	<u>Qty:</u>	<u>Picture:</u>	<u>Description/ Part No.</u>	<u>Qty:</u>	<u>Picture:</u>
1. Front Leg Right MA09-00018	1		8. Lower Shelf MA06-00003	1	
2. Front Leg Left MA09-00028	1		9. Side Shelf Left MA06-00011	1	
3. Rear Leg Right MA09-00019	1		10. Side Shelf Right MA06-00012	1	
4. Rear Leg Left MA09-00029	1		11. M6 Screw (SS) MH01-00021	52	
5. Front Leg Brace Right MA09-00020	1		12. M6 Lock Washer MH02-00002	52	
6. Front Leg Brace Left MA09-00030	1		13. Right Panel MD09-00045	1	
7. Bottom Cross Brace MA09-00005	1		Parts List Continued.....		

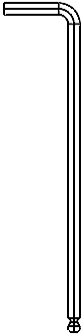



Surround Assembly Parts List continue

<u>Description/ Part No.</u>	<u>Qty:</u>	<u>Picture:</u>	<u>Description/ Part No.</u>	<u>Qty:</u>	<u>Picture:</u>
14. Left Panel MD09-00046	1				
15. Rear Panel MD09-00047	1				
16. Middle Shelf MD06-00006	1				


TOOLS REQUIRED

- 4mm Allen Wrench
- Cut Resistant Gloves

ESTIMATED TIME REQUIRED

2.00 Hours
(excludes removal
of protective film)



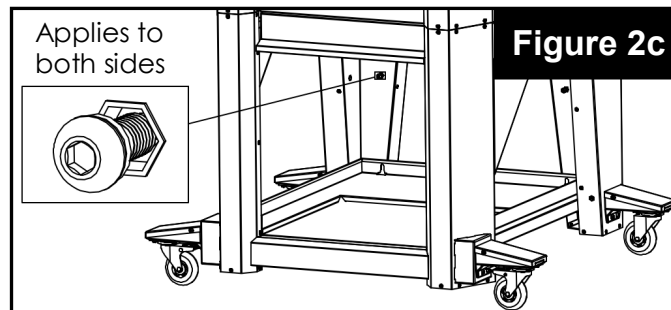
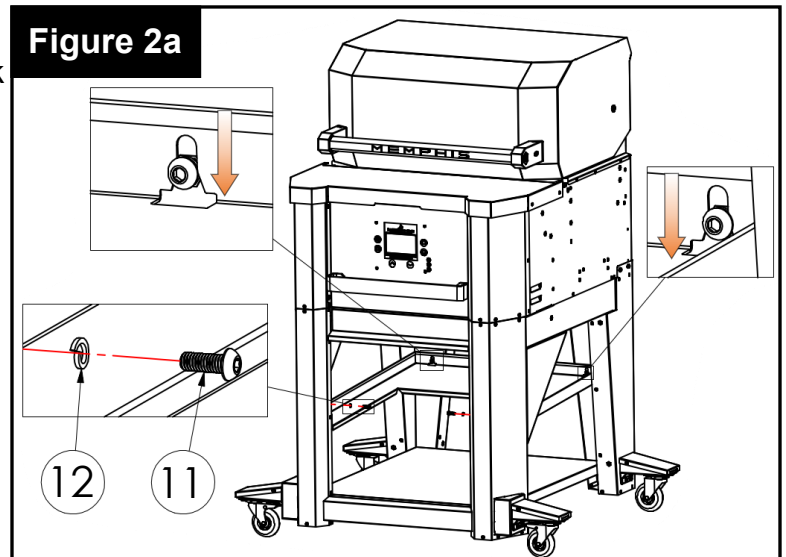
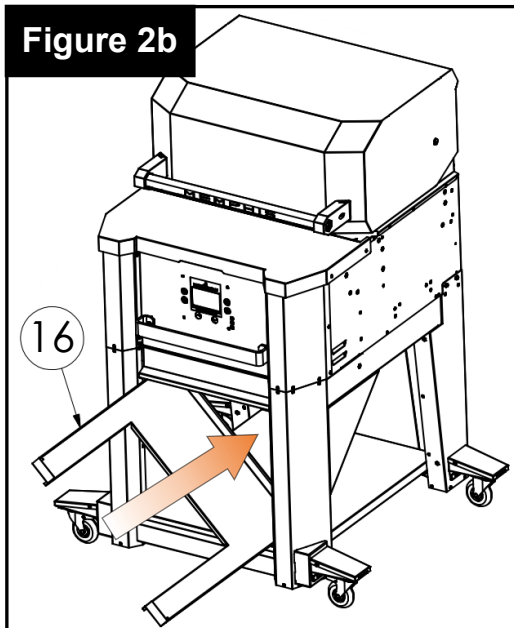


Surround Assembly: Assembly Instructions

Peel all plastic protective film off prior to performing the assembly steps listed below. Refer to page 30-31 for item part numbers, descriptions, and quantities.

Step 1) Turn to the Leg Assembly: Assembly Instructions section (pages 23 to 26) and complete assembly instructions step 1 to step 7.

Step 2) Attach middle shelf onto the leg assembly using 4 screws (Part 11) and 4 lock washers (Part 12) (**See Figure 2a**). First, slide the middle shelf (Part 16) into the leg assembly and lay it on the bottom shelf (**See Figures 2b & 2c**). Partially thread screws with lock washers at the rear locations (**See Figure 2c**), and then position the middle shelf before tightening.

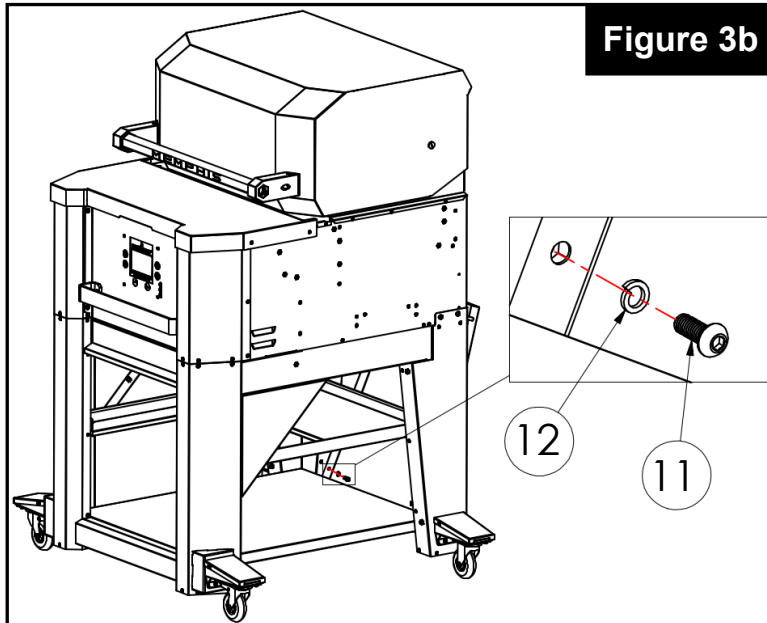




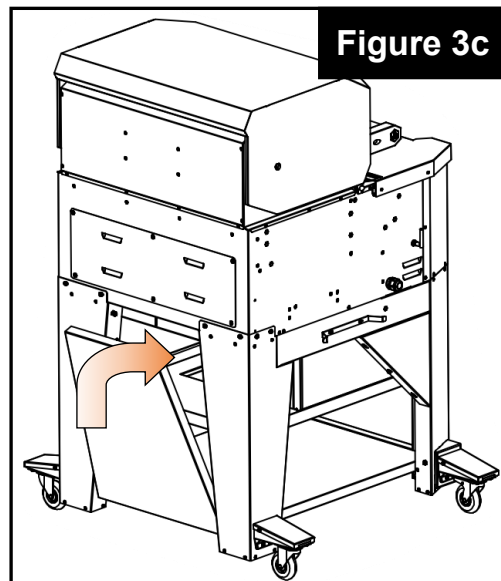
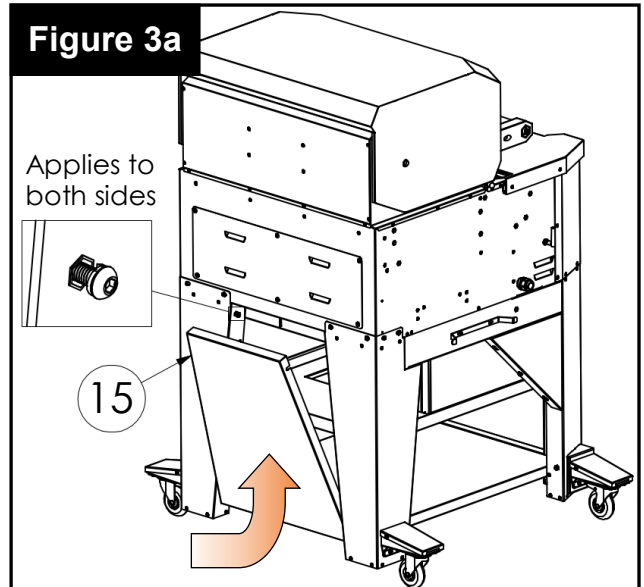
Surround Assembly: Assembly Instructions

Step 3) Attach rear panel (Part 15) using 4 screws (Part 11) and 4 lock washers (Part 12).

Partially thread screws with lock washers at the top rear locations, and then slide rear panel (Part 15) onto the rear opening of the leg assembly (**See Figure 3a**).



Attach the screws with lock washers at the bottom locations (**See Figure 3b**). Fold the rear panel upward before tightening the screws (**See Figure 3c**).

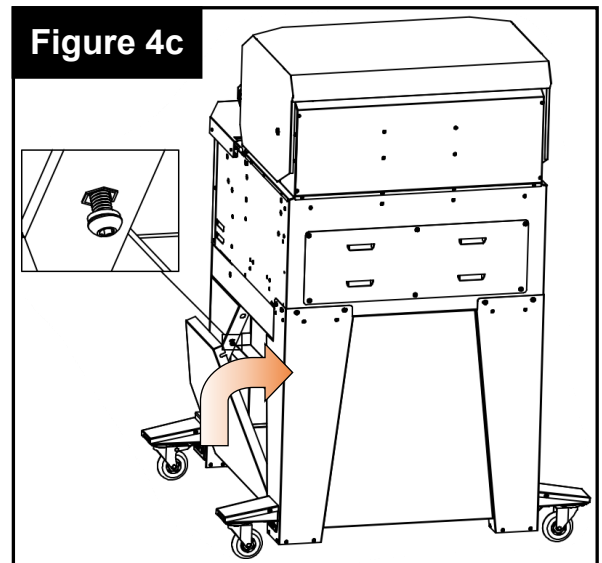
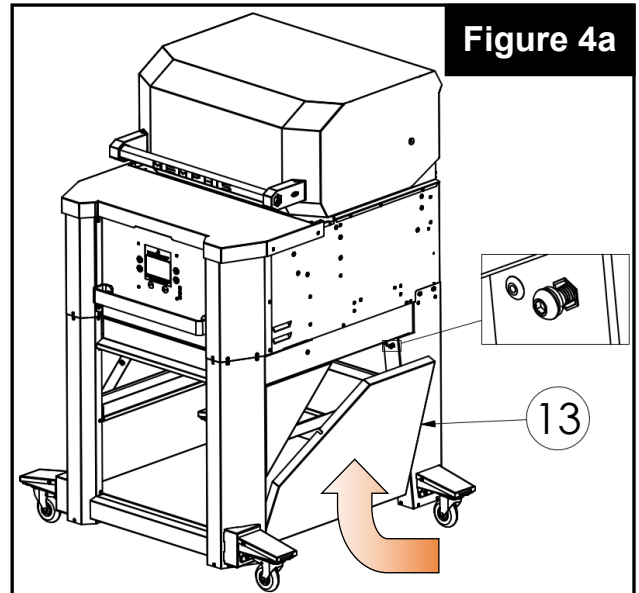
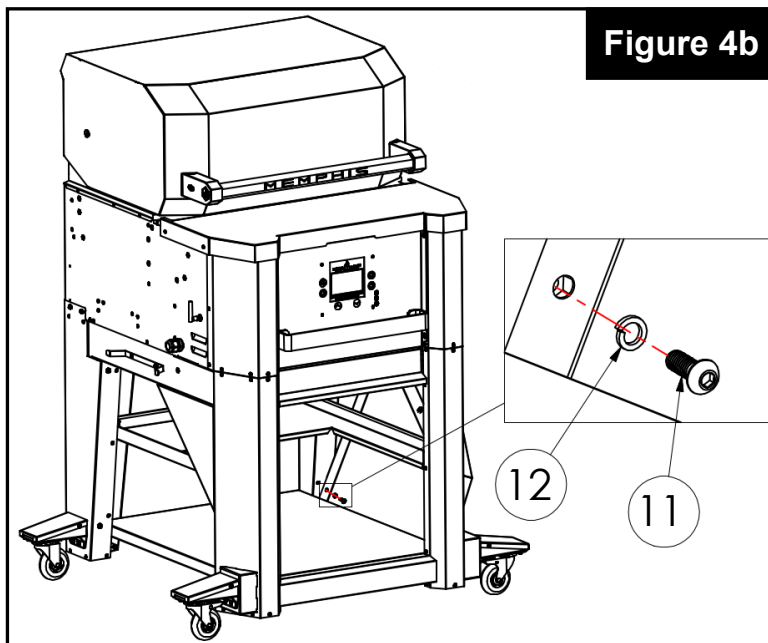




Surround Assembly: Assembly Instructions

Step 4) Attach right panel (Part 13) using 4 screws (Part 11) and 4 lock washers (Part 12).

Partially thread screws with lock washers at the top side locations, and then slide right panel (Part 13) onto the side opening of the leg assembly (**See Figure 4a**). Attach the screws with lock washers at the bottom locations, and then fold the right panel upward before tightening the screws (**See Figure 4b & 4c**).

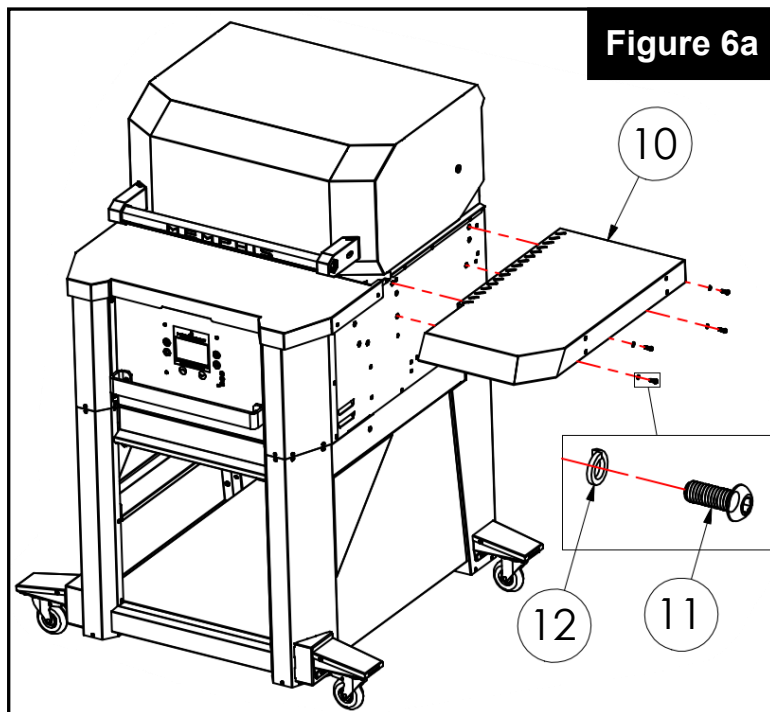
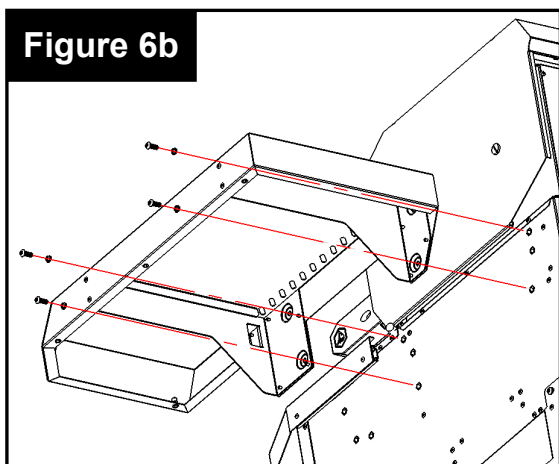


Step 5) Attach left panel (Part 14) using 4 screws (Part 11) and 4 lock washers (Part 12). Follow **Step 4**, but this time for the left hand side.



Surround Assembly: Assembly Instructions

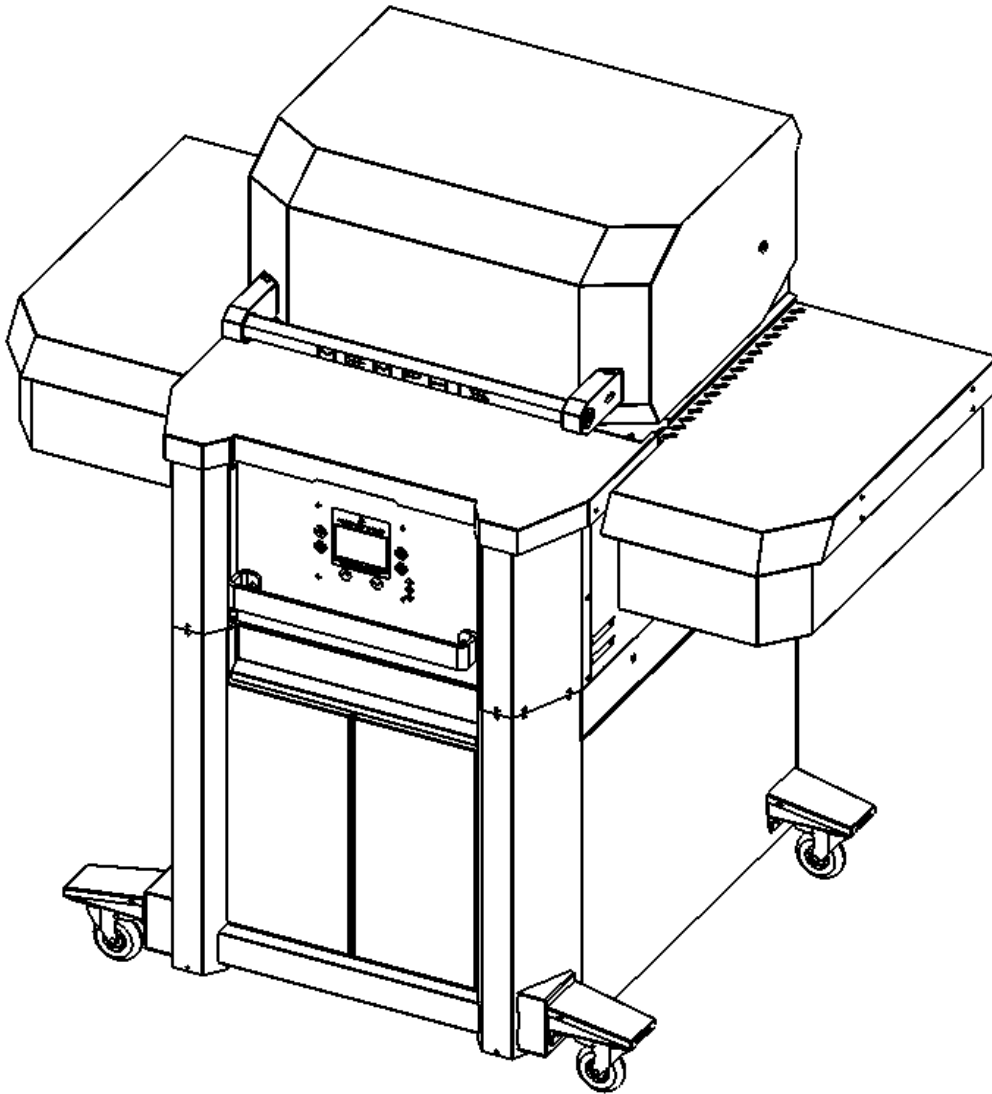
Step 6) Attach right side shelf (Part 10) onto the right side of the grill using 4 screws (Part 11) and 4 lock washers (Part 12) (See Figure 6a & 6b).



Step 7) Attach left side shelf (Part 9) using 4 screws (Part 11) and 4 lock washers (Part 12). Follow **Step 6**, but this time for the left hand side.



Cabinet Assembly



MODEL NUMBER: MG11-06-004



Scan this QR code to access the Cabinet Assembly or go to:

<https://memphisgrills.com/support-resources/support-manuals/>



Attention!

**To access the latest Product Manuals,
scan the QR Code above.**

Or visit our website at:

<https://memphisgrills.com/support-resources/support-manuals/>