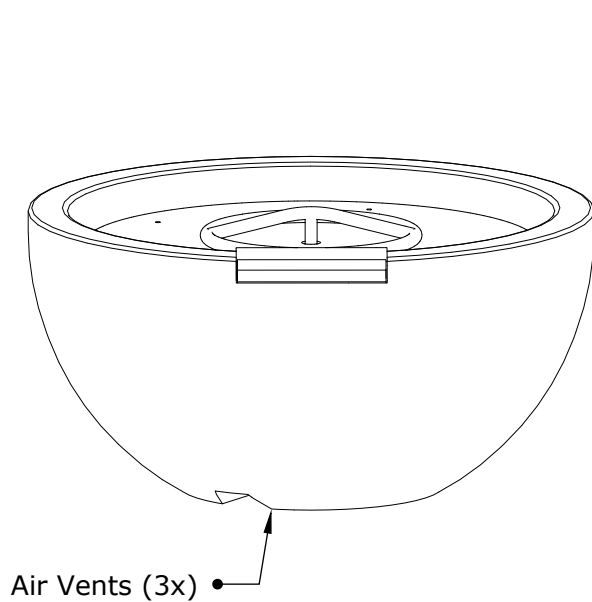
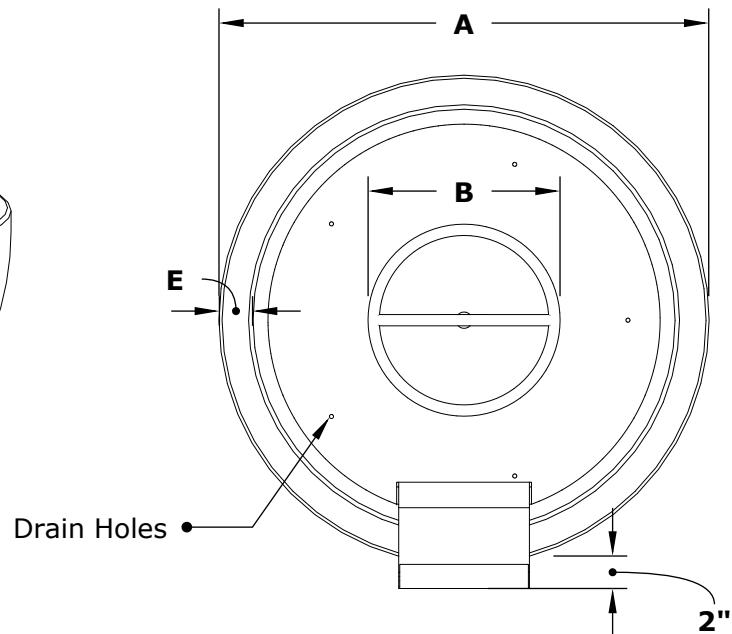


LUNA FIRE WATER BOWL - GFRC CONCRETE



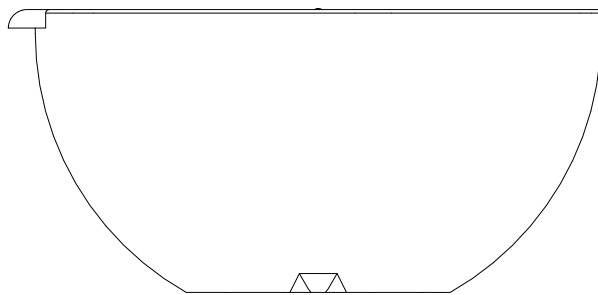
Air Vents (3x)

ISOMETRIC VIEW

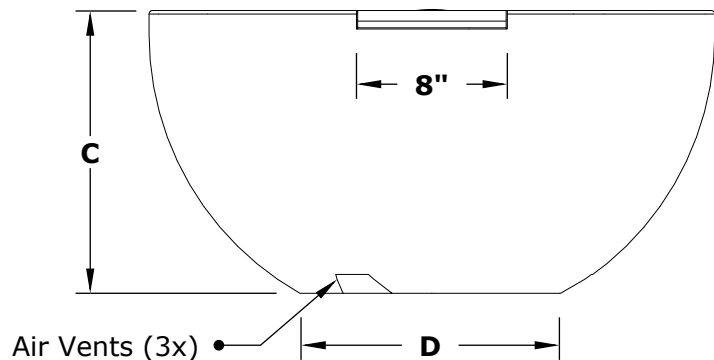


Drain Holes

TOP VIEW



RIGHT SIDE VIEW



Air Vents (3x)

FRONT SIDE VIEW

SKU	A	B	C	D	E	BTU
OPT-LUNFW30	30"	8"	15"	14"	2"	45,000
OPT-LUNFW30E12V	30"	8"	15"	14"	2"	45,000
OPT-LUNFW38	38"	12"	16"	22"	2.5"	65,000
OPT-LUNFW38E12V	38"	12"	16"	22"	2.5"	65,000

Fire Pit Material: GFRC Concrete
 Finish: Smooth Finish
 Pan Material: 304 Stainless Steel
 Burner Material: 304 Stainless Steel

12V ELECTRONIC IGNITION
 ANSI Z21.97-(2017) / CSA 2.41-(2017)

Includes: Pan, Burner, Whistle Free Hose, Copper Scupper, Black Lava Rock.

