



# MANTELS: MOUNTING INSTRUCTIONS

## NON-COMBUSTIBLE ASTM E-136\*

\*Standard Test Method for Behavior of Materials in a Vertical Tube Furnace of 750 Degrees



## *Nature Re-Crafted!*

Tools Needed	Parts
Power screw driver with Phillips head drive	1 – Ambiance Mantel
Level	1 – Mounting Bracket 3” x 3”
Tape Measure	3 – 2 1/4” self-drilling screws for Mantel
Stud Locator	8 – 2 1/2” sharp point screws for Mounting Bracket

## INSTALLATION NOTES

- **Recommended two people to lift and install mantel.**
- If you are unable to find studs, you need to open the wall and add wood studs or 16 gauge metal studs if in the non-combustible zone.
- A minimum of three studs are required to safely install a 5 ft. mantel. Minimum of 4 studs for 6 ft. mantels. Using 2 1/2” sharp point screws, attach mounting bracket to studs with two screws per stud. See *Figure A* on page 2 for details.
- If part or all of the mantel is over the metal face of the unit, self-tapping screws may be used to install mounting bracket directly to unit.
- If attaching mounting bracket over a masonry surface use proper masonry anchor for the type of surface – consult your fastener supplier. The anchor should be able to support 4 times the load.
- Bottom of mantel should be a minimum of 6 inches above the glass trim of any unit less than 50K BTU’s. Bottom of mantel should be a minimum of 12 inches above the glass trim of any unit exceeding 50K BTU’s.

## INSTALLATION INSTRUCTIONS

- **STEP 1.** Unpack mantel from box. Remove protective foam. Note: the top flange of mantel has pre-drilled mounting holes. Two people recommended to lift mantel.
- **STEP 2.** Locate mounting bracket and hardware inside of box.
- **STEP 3.** Determine the vertical and horizontal center for top of mantel on the wall. Mark this location.
- **STEP 4.** After identifying the correct height for attaching the mantel, draw a horizontal line. Install centered mounting bracket with 2 sharp point screws. Use 1/8” drill bit to drill holes in the mounting bracket. You will need two people to place the mantel on the bracket and check for level, take the mantel off and stabilize the mounting bracket with remaining screws. See *Figure B*.

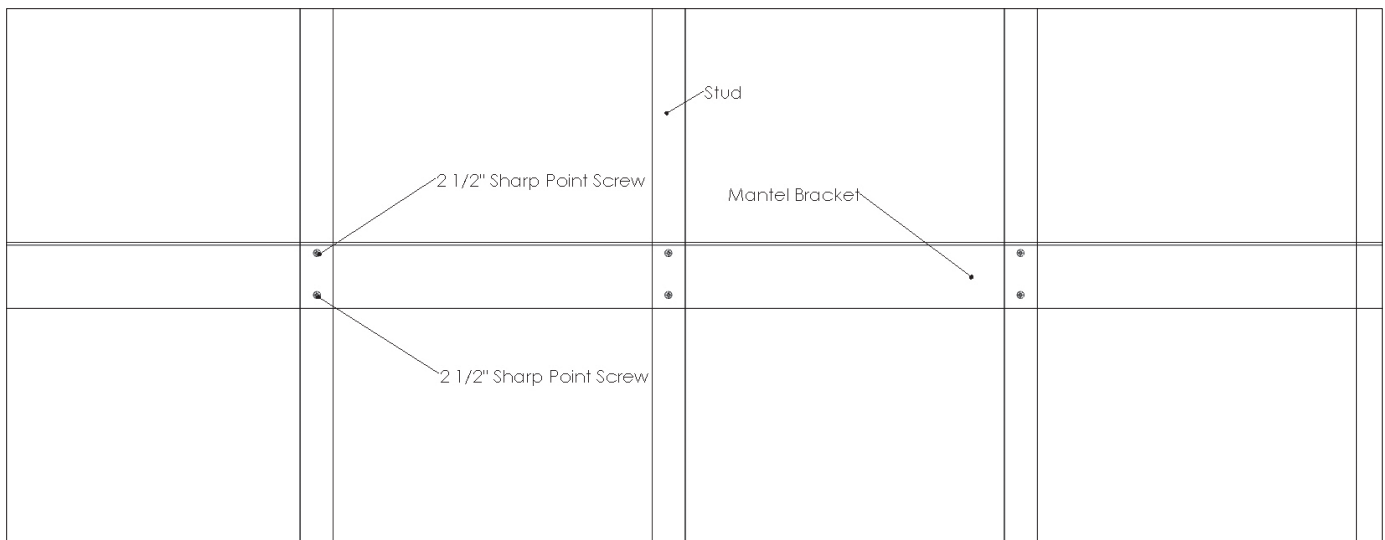
*...continued*

- **STEP 5.** With two people, lift mantel and place over mounting bracket. When centered and flush against the wall, place one 2 1/4" self-drilling screw in the center pre-drilled hole on top of mantel. Screw through mounting angle until fastener head is flush with countersunk hole. **DO NOT OVER-TIGHTEN.** See *Figure C*.

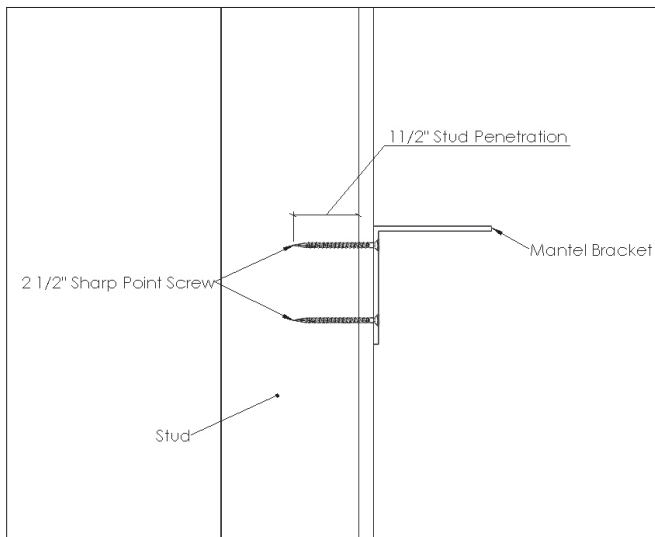
**\*Fasten screws through the provided holes on top of mantel. DO NOT SCREW THROUGH THE BOTTOM OF THE MANTEL.**

- **STEP 6.** Shims may be required to level mantel. Install non-combustible shims over the studs. If required, fill screw holes on top surface of mantel with the provided filler.

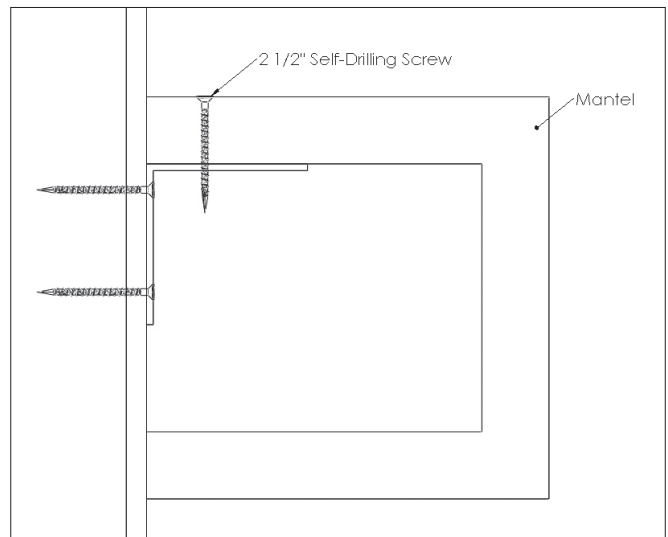
## INSTALLATION DIAGRAMS



*FIGURE A: Front Mount*



*FIGURE B: Side Mount*



*FIGURE C: Mantel Mount*

## LEXINGTON HEARTH CUSTOMER SUPPORT

Your installation should now be complete. If you have any questions, you may contact us at 859-231-6492 x127