



DO NOT DISCARD. THIS INSTALLATION INSTRUCTION HAS
IMPORTANT OPERATING AND MAINTENANCE INSTRUCTIONS. LEAVE WITH THE HOMEOWNER.

MODEL:

SERIAL #:

LUME-MS1

LUME-MS2

LUME-MS1SR

LUME-MS2SR

The LUME Freestanding Fire Pit is a 100% Commercial-Grade Stainless Steel smoke-less wood-burning fire pit, specially designed to burn more efficiently and emit less smoke. The LUME comes in two sizes with sear and non-sear options. The LUME can be placed in a variety of outdoor areas and can also be dropped into a paving system for built-in application. If installing the freestanding LUME in an SRW/Paver application, do not attach the legs to the unit (review the Fits Opening dimensions on page 2). Stack wood at the open base of the pit using the log cabin technique, light it, and then allow a few minutes for the fuels to ignite properly. Within minutes enjoy the warmth, ambiance, and comfort of the LUME Smoke-Less Fire Pit.

IF YOU CANNOT READ OR UNDERSTAND THESE INSTALLATION INSTRUCTIONS, DO NOT
ATTEMPT TO INSTALL OR OPERATE THIS APPLIANCE.

WARNING: Fuels used in wood-burning appliances, and the products of combustion of such fuels, can expose you to chemicals including carbon black, which is known to the state of California to cause birth defects or other reproductive harm. For more information go to www.p65Warnings.ca.gov

WARNING: FOR OUTDOOR USE ONLY

WARNING: Do not leave unattended during use.

WARNING: Improper installation, adjustment, alteration, service or maintenance can cause injury or property damage, personal injury, or loss of life. Read the installation instructions provided with this appliance.

LUME

Freestanding Smoke-less Fire Pit

PATENT PENDING

LUME-MS1SR

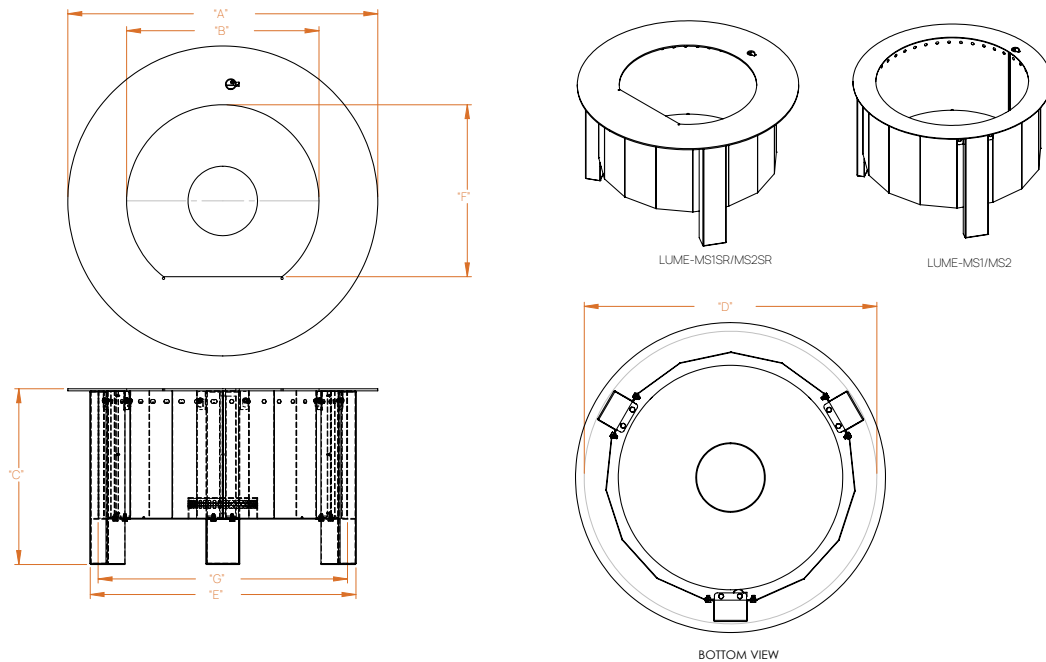
LUME-MS2SR

LUME-MS1

LUME-MS2



Dimensions



Material

100% Commercial Grade
Stainless Steel

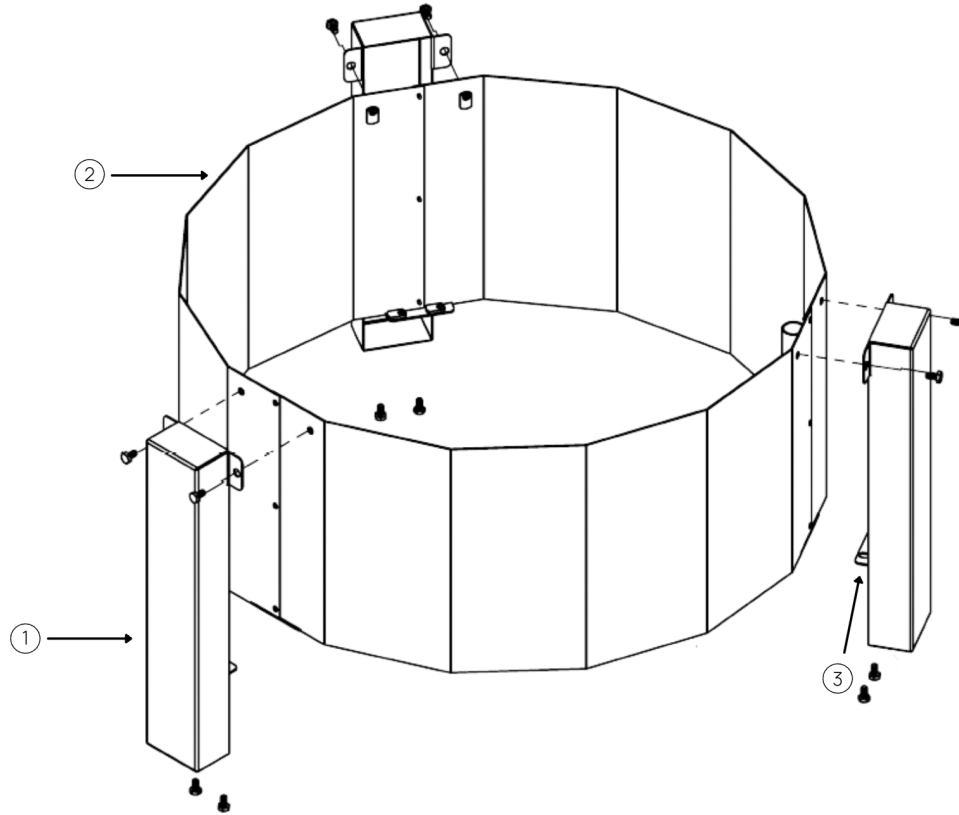
DIMENSIONS	
Rim Outer Diameter (A)	
Rim Inner Diameter (B)	
Height (C)	
Base Outer Diameter (D)	
Dimension (E)	
Dimension (F)	
Outer Liner (G)	
Weight	
Fits Opening	

	LUME-MS1	LUME-MS2	LUME-MS1SR	LUME-MS2SR
Rim Outer Diameter (A)	26"	31"	29"	34"
Rim Inner Diameter (B)	20"	25"	18"	20"
Height (C)	16 3/8"	16 3/8"	16 7/16"	16 7/16"
Base Outer Diameter (D)	25 1/4"	30 1/4"	27 3/8"	32 3/8"
Dimension (E)	23 3/16"	28 3/16"	24 7/8"	29 1/8"
Dimension (F)	N/A	N/A	16 1/8"	18 1/8"
Outer Liner (G)	23 5/16"	28 5/16"	23 5/16"	28 5/16"
Weight	44.14 lbs.	55.46 lbs.	62.25 lbs.	82.18 lbs.
Fits Opening	23 1/2" - 25 1/4"	28 1/2" - 30 1/4"	23 1/2" - 27 1/2"	28 1/2" - 32 1/2"

How to Install the Legs

The legs (1) are attached to the upper and lower portions of the outer liner (2) using four 1/4-20 hex head bolts (each leg). Securing each leg using four 1/4x20 hex bolts as shown (3).

If you choose to install your unit with SRW/Pavers, do not install the legs to the unit. Refer to Fits Opening dimensions on page 2.





Clearance to Combustibles (Not to be used in an enclosed space)

This fire pit is designed for **outdoor use only**. Not approved for any indoor use. The LUME should NEVER be used in a building, garage, or any other enclosed area. Avoid using near or under overhanging trees and shrubs.

CAUTION: Due to the Stainless Steel construction of the LUME, there is potential for sharp edges. It is recommended to use gloves for installation.

Install the fire features on any level, flat, stable, non-combustible surface.

Vents are required for any solid concrete firepit.

SRW (Segmented Retaining Wall) does not require vents and are optional as long as they are not cemented together, but are recommended for best performance. Ventilation can be accomplished by cutting an inch off of the width of 3 wall stones and space symmetrically around the perimeter at the elevation of the bottom of the LUME insert. A no-cut option is the use of a PAVER-VENT4LNTS or PAVER-VENT6LNTS depending on the height of the wall stone used.

SUGGESTED FUEL

Selecting the right wood will depend on preference for comfort, aroma, and visual image. If you want constant heat output and a short flame with glowing coals, hardwood such as hickory, oak, or beech are recommended.

If short hot fire for damp weather, select a softer wood such as redwood, fir, or white pine.

TYPE OF WOOD	DESCRIPTION OF WOOD
OAK	Very dense, Hot burning, Should season at least once a year.
MAPLE	Difficult to split, efficient, hot burning, Should season at least once a year.
CHERRY	Burns at medium heat, sweet burning aroma, sparks a lot - doesn't produce lots of smoke.
BIRCH	Burns very quickly, bright - hot burning, good firestarter.
PINE	High sap content, burns messy, don't use as exclusive firewood.
ELM	Very dense - hardwood, difficult to split, does not smell great as it burns.
CHESTNUT	Burns and splits easily, burns at a low heat, sparks a lot, heavy smoke.

*For best results, do not overfill the bonfire (LUME) with logs that cover or extend above the top air holes.

MAINTENANCE



Clean out ashes every 2-3 Burns or when ash covers lower holes to maintain airflow for a smokeless fire.

When you are finished enjoying your fire, do not extinguish the fire with water. Let the fire extinguish on its own.

During winter months in cold climates and various seasons of operation the fire feature may be affected by weather conditions. It is recommended to use a cover/lid overtop of your fire pit opening to protect it from humid/rainy weather conditions when not in use. Heavy rains/downpours can affect the operation of the LUME if not covered.

Stainless steel materials used in the construction of your LUME are highly rust-resistant, however, chlorine in the air from swimming pools or the salt from sea air may cause rust to appear and even create some pitting if left on the product.

Cleaning the Stainless Steel

In extreme environments apply a rust inhibitor which leaves a microscopic protective layer on the unit.

REQUIREMENTS:

1. These fire features are designed for **outdoor use only**. Not approved for any indoor use. The LUME should NEVER be used in a building, garage, or any other enclosed area. Avoid using near or under overhanging trees and shrubs.
2. Never leave any other combustible material on the fire feature. This could cause unsafe operation and damage the component that will not be covered under our warranty.
3. To Maintain appropriate airflow, clean out ashes every 2-3 burns or when ash covers lower holes.

SAFETY WARNINGS

1. Never leave the Fire Pit unattended during operation.
2. Clothing or other flammable materials should be placed on or near the appliance.
3. Due to the Stainless Steel construction of the LUME, there is potential for sharp edges. It is recommended to use gloves for installation.
4. The LUME is designed for outdoor use only. Not approved for any indoor use or enclosed areas.
5. Improper installation, adjustment, alteration, service, or maintenance may result in property damage, injury, or death.



6. LUME was designed for wood fuel – using other fuels is not recommended and may produce more smoke as the design will not function properly.
7. After a period of non-use, check the unit for signs of damage or buildup.
8. The use of a spark screen is required by most states to reduce the number of embers leaving the fire pit while in use.

WARNING: This appliance is HOT when operated and can cause severe burns if contacted. Use Protective gear such as oven gloves or pot holders when in contact.

SEQUENCE OF OPERATION

Choosing Fuel - Dry, seasoned, split hardwoods cut to less than 24" in length. 16-18" being the optimal length.

Recommended wood placement - For best performance firewood should be concentrated to the outer edges of the firepit and over a bed of coals.

Lighting - Kindling stacked around crumpled newspaper is an easy method for a 1 match fire. Once the kindling is burning slowly add increasingly larger diameter pieces of wood.

Feeding flames - When adding logs to the fire as it burns down there will be additional smoke.

Burn out - Allow fire to burn out on its own. Avoid snuffing with the lid or extinguishing with water.

DISCLAIMER: LUME is a Smoke-less wood burning fire pit. The term Smoke-less means reduced smoke as compared with a typical fire pit. The design allows it to be catalytic. By introducing heated air to the top of the fire where it mixes with the unburned fuel (smoke) and allows it to burn a second time. This process does take time to begin. It relies on the outer walls being very hot to create convection to move the air. From the ignition of your fire, it will take between 15-30 minutes. You may see fire projecting from the series of holes around the top.



FOR TECHNICAL SERVICE, CALL: (800)-966-8126

Firegear Outdoors
14520 Delta Ln
Suite 105
Huntington Beach, CA 92647

Firegearoutdoors.com

Manual changes often occur, ensure to check the Firegear Outdoors website for any recent updates and warranty information.

STOP

Having problems installing the fire pit? Don't leave the job site! We want to help. Call 800-966-8126 for Technical Support between the hours of 8:00 am to 5:00 pm PST. BEFORE YOU CALL WE WILL NEED THIS INFORMATION

1. Model Number:
2. Serial Number:
3. Be prepared to send photos to us when on the phone.
4. Found missing or damaged parts? Let us know ASAP or send photos.