

LK2-1 ACCENT LIGHT ACCESSORY

INSTALLATION INSTRUCTIONS

INSTRUCTIONS MUST BE LEFT WITH THE OWNER FOR FUTURE REFERENCE AFTER INSTALLATION

The LK2 Accent Light Kit model is available for installation in the top of the firebox on designated Vent Free Firebox and Fireplace model series listed below. Providing the junction box has been pre-wired with separate circuits as described in the "Wiring for a dual switch / receptacle" on page 2.

NOTE: The Accent Light kit may be installed at any time on louvered models, or on flush panel Firebox models prior to the upper panels being covered with finishing materials.

For use on: (A)VFP36SB series See Through Fireboxes, and (A)VFP36PB series Peninsula Fireboxes
(A)VFP36SP series See Through Fireplaces, and (A)VFP36PP series Peninsula Fireplaces

CAUTION: ALL WIRING SHOULD BE DONE BY A QUALIFIED ELECTRICIAN AND SHALL BE IN COMPLIANCE WITH ALL LOCAL, CITY AND STATE BUILDING CODES. BEFORE MAKING THE ELECTRICAL CONNECTION, MAKE SURE THAT MAIN POWER SUPPLY IS DISCONNECTED. THE APPLIANCE, WHEN INSTALLED, MUST BE ELECTRICALLY GROUNDED IN ACCORDANCE WITH LOCAL CODES, WITH THE NATIONAL ELECTRICAL CODE ANSI/NFPA 70 (LATEST EDITION).

INSTALLATION INSTRUCTIONS

1. Remove the upper and lower louvers or flush panels from the Firebox by lifting upward and outward, then set aside. Open the firescreens or remove the screen panel(s) as necessary. On Firebox models, the blower cover plate (located on the hearth pan) may also be removed for additional access. See Figures 1 and 2.

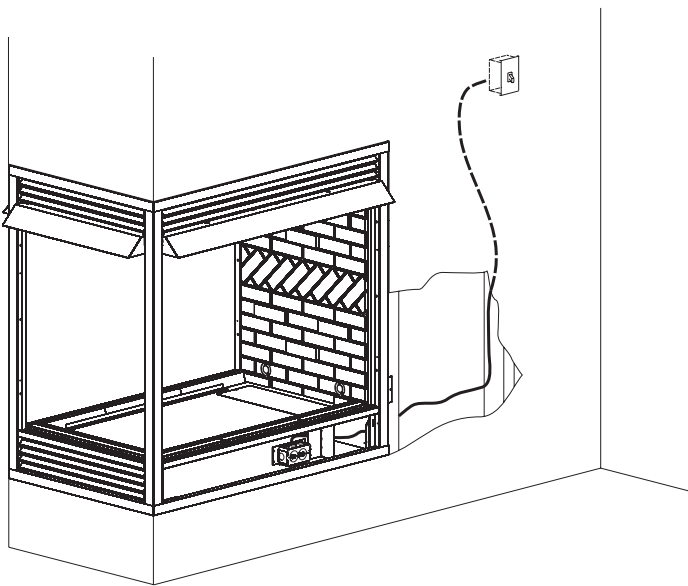


Figure 1

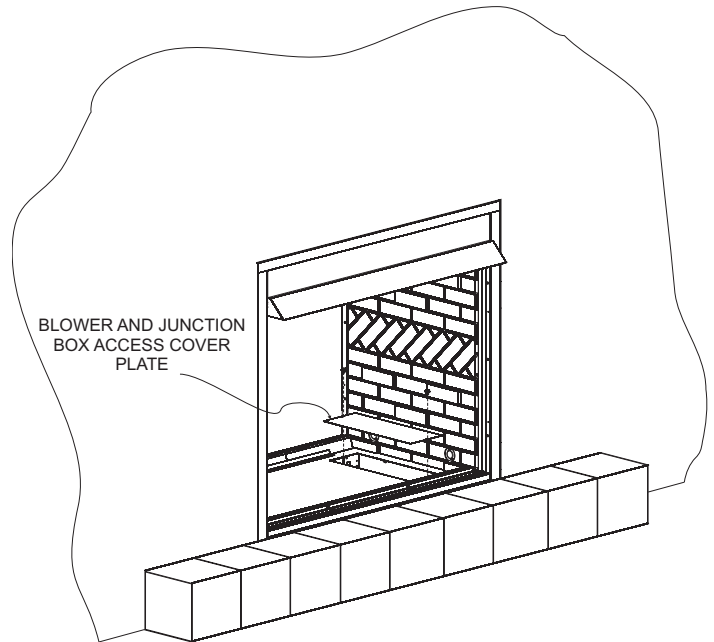


Figure 2

2. Locate the Junction Box in the bottom compartment of the Firebox to determine if it has been pre-wired or not. If the Junction box has been pre-wired, then you should check to see if the receptacle was split wired to allow for independent operation of a blower and light kit. If pre-wired as a split or dual switch receptacle, then you can proceed on with the light kit installation. If the Junction box is not wired in this manner, please refer to the section "Wiring for a dual switch/receptacle" located in the Firebox or Fireplace Installation Instructions.
3. Once the Junction box wiring is completed you may proceed with the installation of the LK2 Accent Light kit.

INSTALLATION INSTRUCTIONS

- In the inside top of the firebox there will be (2) round cap plugs near the center. Remove the one closest to front of firebox with a standard screwdriver. See **Figure 3**. This provides an access hole to run the accent light wiring up, through, and over the top of the firebox.

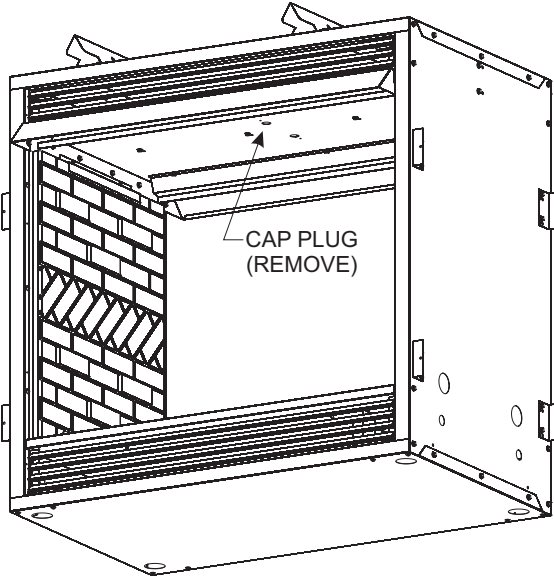


Figure 3

- Next, locate the Accent Light kit assembly housing, light, and wire assembly. Run the wire assembly up through the hole in the firebox top, then over to the side of the firebox. Drop the wire assembly ends down between the firebox wall and the outer wrap wall. See **Figure 4**.
- While feeding the wiring through the hole in the top of the firebox, raise the Light and Holder bracket assembly to the firebox top, then secure the light kit with (2) # 10 x 1/2" Hex Head Screws. See **Figure 4**. Check to make sure the wiring is not pinched, or in a bind when securing this assembly.

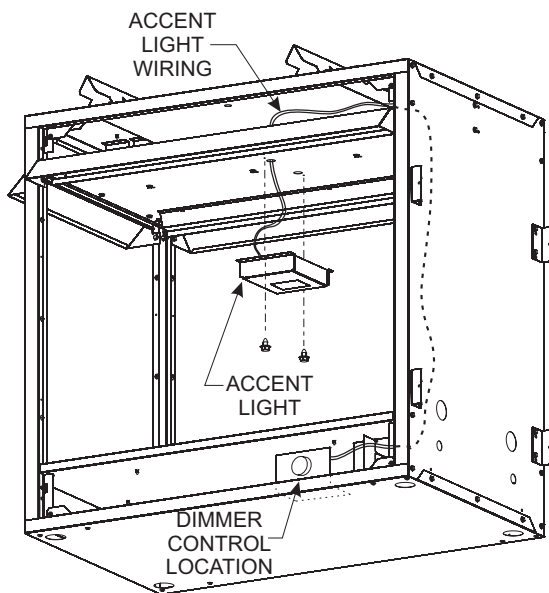


Figure 4

- Place the Dimmer Control assembly in the lower compartment near the junction box. Attach the Light assembly wire connectors (previously dropped down between the firebox and the outer wrap walls) to the corresponding connectors of the Dimmer Control assembly and Power cord assembly. See **Figure 5**.

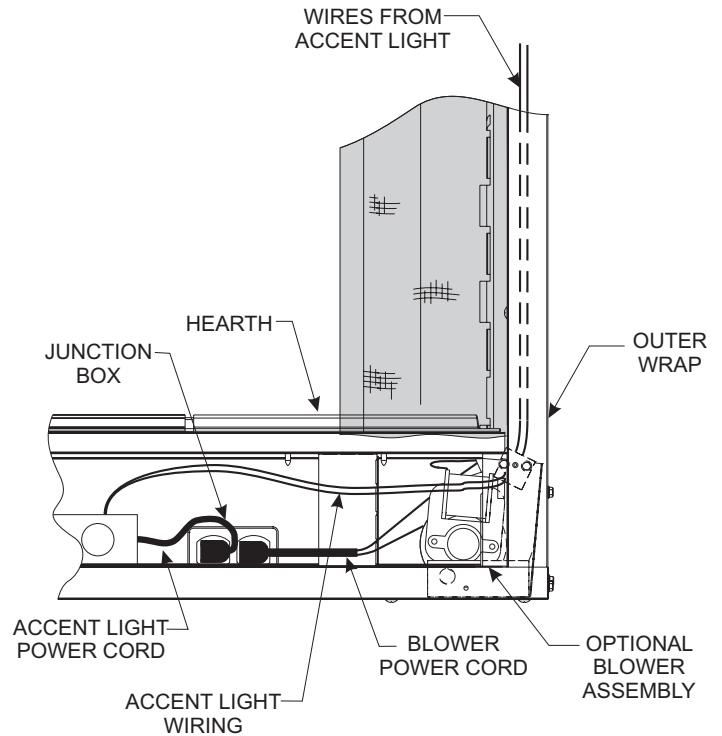


Figure 5

- Plug the power cord into one of the receptacles in the junction box, then check for proper light control operation.

Note: On Firebox models that have flush bottom panels that intend to be covered with finishing materials, access to the light kit dimmer control will be unreachable. Therefore, it is recommended that the dimmer control be turned on at the brightest setting, then install an SCV-1 variable control wall switch on the same wiring circuit in order to have a variable light brightness control that is readily accessible.

- Once the light kit has been installed and tested, replace the louvers or flush panels on Firebox models, and replace or reposition screen panels or curtain screens.
- This completes the installation of the LK2 Accent Light kit.

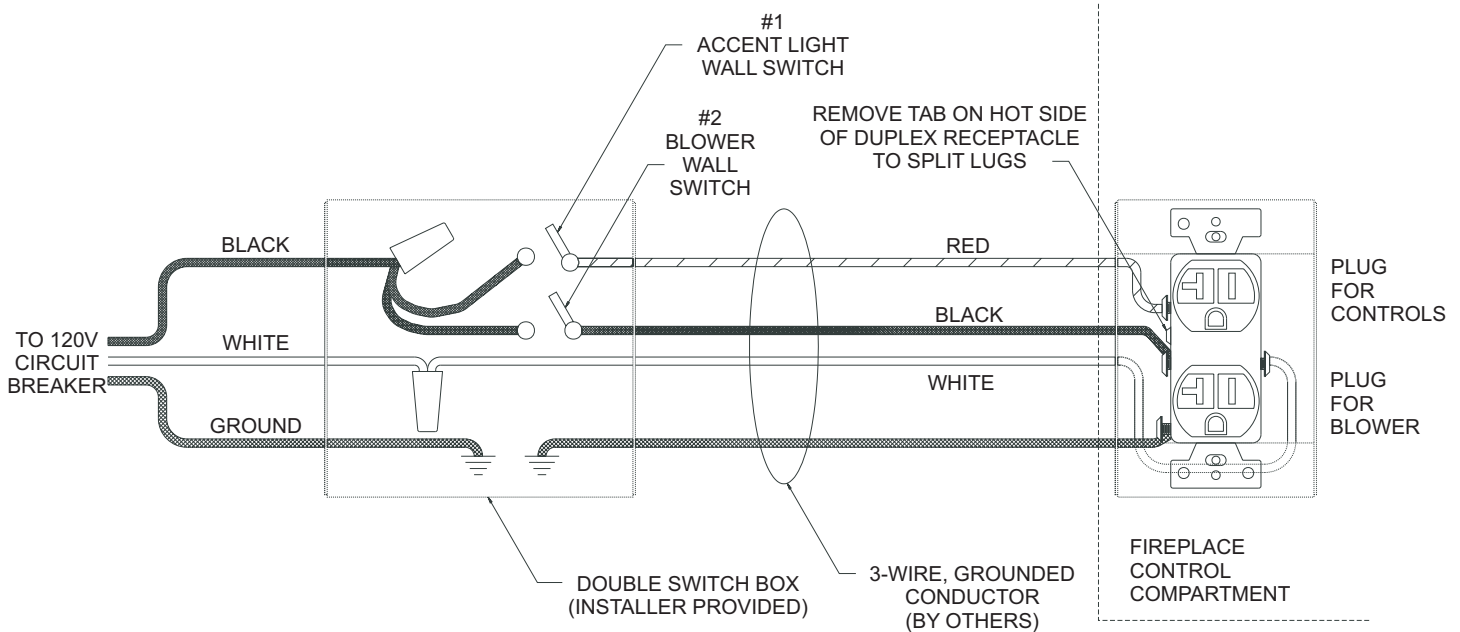
Bulb Replacement

For bulb replacement, turn power off to the appliance. Next, remove the glass bezel by gently prying downward, then remove the bulb. Replace with a new bulb and re-install the glass bezel.

Note: Replacement bulb must be a Philips XF2, 25W, 300°C, 125-130V or Philips X9C, 15W, . 300°C, 125-135V or equivalent.

WIRING INSTRUCTIONS FOR INSTALLING A DUAL SWITCH / RECEPTACLE

In order to install both the optional Blower and Accent Light accessories, it will be necessary to install the junction box so that the Duplex Receptacle wiring is split. This will allow each side of the receptacle to operate independently off separate wall switches. See diagram below.

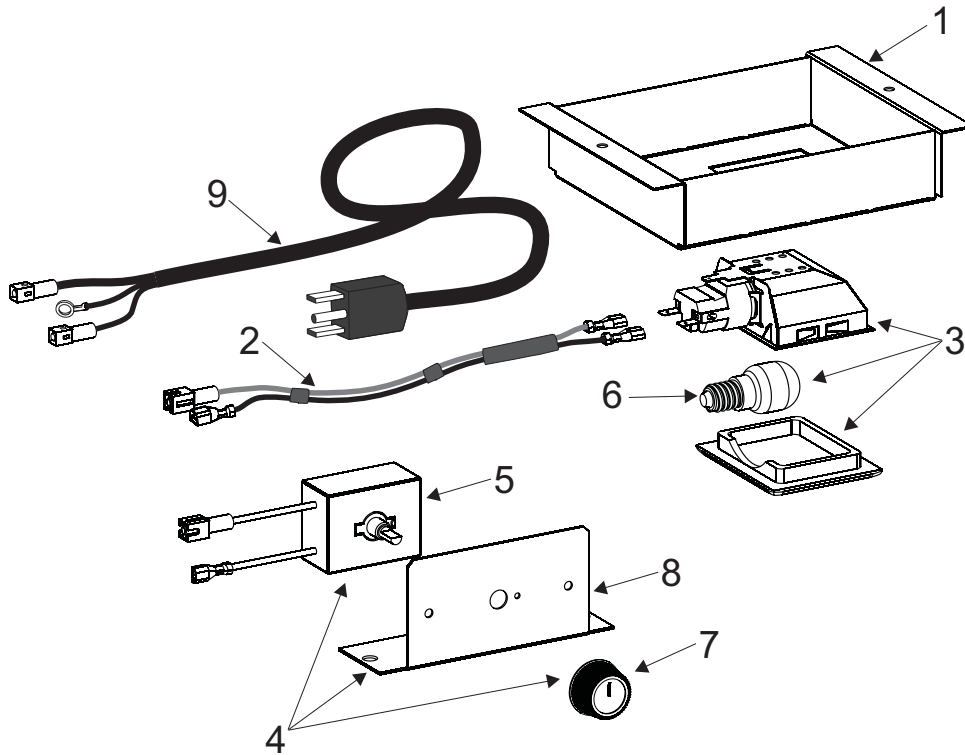


DUAL SWITCH ELECTRICAL WIRING TO FIREPLACE RECEPTACLE

1. To wire Junction Box Receptacle, remove the tab on the side of the receptacle (hot side) to split receptacle. This will be required to separate blower and Accent Light circuits.
2. Power for switched and live sides of Duplex Receptacle must come from the same power source. (One circuit breaker on main panel must switch all power off.)
3. From the wall box to the fireplace a 3-wire conductor with ground is recommended, however (2) two-wire conductors with grounds may be used in place of a 3-wire conductor with a ground if the black wires from the Accent Light and blower accessories are identified.
4. Two wall switches may be used to activate the two receptacle plugs independently.

Note: Wiring to the Junction Box should be run through the 7/8" diameter access hole located on one of the sides of the fireplace outer wall. A Romex type connector is provided with the fireplace and should be used to protect and restrain the wiring where it passes through the fireplace outer wall. The Junction Box should be positioned in the lower compartment of the fireplace/firebox so that it does not interfere with moving parts of the blower assembly. The Junction Box incorporates magnets on the bottom side to retain and reduce the chance of movement or vibration during blower operation.

EXPLODED VIEW & PARTS LIST



INDEX NO.	PART NO.	DESCRIPTION
1	24384	HOLDER - LIGHT KIT
2	R9610	WIRE ASSEMBLY
3	R9828	ACCENT LAMP (INCLUDES BULB, GLASS BEZEL, & LAMP HOUSING)
4	24364	DIMMER CONTROL ASSEMBLY
5	18879	RHEOSTAT ASSEMBLY
6	R9926	REPLACEMENT BULB, Phillips XF2, 25W, 300°C, 125-130V or X9C 15W, 300°C 125-135V
7	R4192	CONTROL KNOB
8	10088	RHEOSTAT BRACKET
9	R3529	POWER CORD



Empire Comfort Systems Inc.
918 Freeburg Ave. Belleville, IL 62220

If you have a general question about our products, please e-mail us at
info@empirecomfort.com.

If you have a service or repair question, please contact your dealer.

www.empirecomfort.com