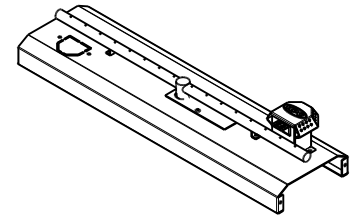
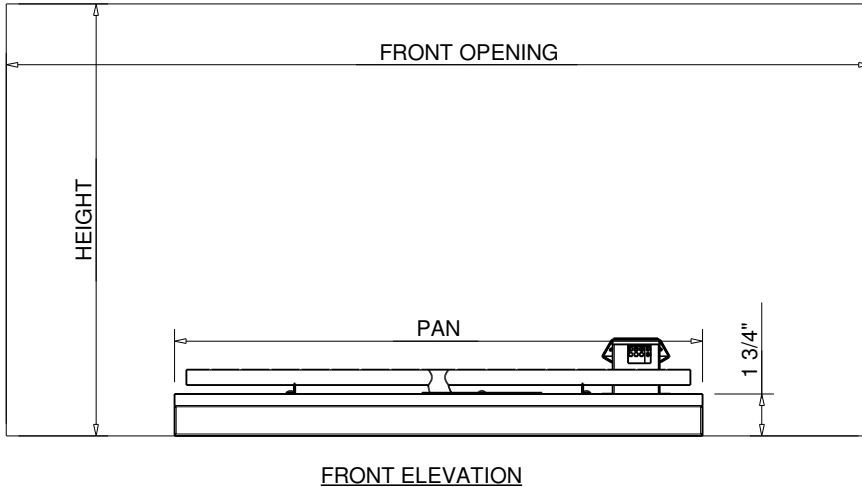


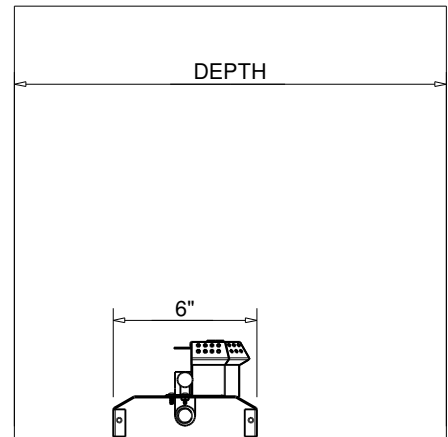


Hearth Products Controls Co
CSA CERTIFIED-OUTDOOR USE ONLY
FOR COMMERCIAL AND RESIDENTIAL USE

HEARTH PRODUCTS CONTROLS
 3050 PLAINFIELD RD.
 KETTERING, OH 45432
 TOLL FREE: 1-877-433-7001
 PHONE: (937) 433-7000
 FAX: (937) 433-0704
 www.hpcfire.com



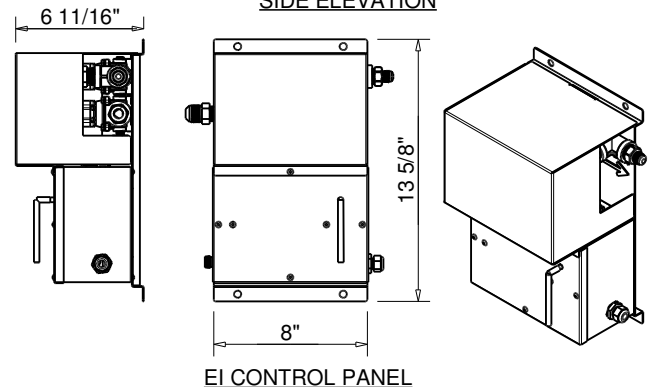
ISOMETRIC VIEW



SIDE ELEVATION

AVAILABLE IN:
 • 120VAC OR 24VAC
 • ON/OFF OR HI/LOW
 MATERIAL: 304 STAINLESS STEEL

PART NUMBERS	STND BTU	DIMENSION CHART		MINIMUM FIREPLACE OPENING		
		PAN	BURNER	HEIGHT	FRONT OPENING	DEPTH
LBOF22EI	50K	22"	21"	18"	36"	18"
LBOF28EI	75K	28"	27"	18"	42"	18"
LBOF46EI	100K	46"	45"	18"	60"	18"
LBOF58EI	110K	58"	57"	18"	72"	18"
LBOF70EI	120K	70"	69"	18"	84"	18"
LBOF82EI	130K	82"	81"	18"	96"	18"

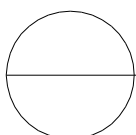


EI CONTROL PANEL

Notes:

- FOR USE WITH FIXED PIPING SYSTEMS ONLY.
- NOT FOR USE WITH SMALL TANKS.
- MODIFICATION OF PRODUCT WILL VOID ANY CERTIFICATION AND WARRANTY.
- FOLLOW ALL MANUFACTURER INSTALLATION INSTRUCTIONS AND LOCAL CODES.
- ALL DIMENSIONS ARE CONSIDERED TRUE AND REFLECT MANUFACTURER'S SPECIFICATIONS AS OF THE REVISION DATE.
- DO NOT SCALE DRAWING.
- THESE DRAWINGS ARE FOR SIZING AND PLANNING PURPOSES. ALL INFORMATION CONTAINED HEREIN WAS CURRENT AT THE TIME OF DEVELOPMENT. THE MANUFACTURER'S RESPONSIBLE FOR THE ACCURACY OF THE DRAWING.
- CONTRACTOR'S NOTE: FOR PRODUCT AND COMPANY INFORMATION VISIT www.CADdetails.com/info REFERENCE NUMBER 771-069.

⚠ WARNING		
	NG	LP
ALTITUDE (FT)	0-4,500	0-4,500
MINIMUM INLET GAS SUPPLY PRESSURE	4.5" InWc (11.2mb)	11" InWc (27.4mb)
MAXIMUM INLET GAS SUPPLY PRESSURE	7" InWc (17.4mb)	13" InWc (32.4mb)
MANIFOLD PRESSURE (UNDER FLOW CONDITIONS)	3.5" InWc (8.4mb)	10" InWc (25mb)



HOT SURFACE IGNITION OUTDOOR FIREPLACE INSERT
EI LINEAR BURNER - FLAME SENSING WITH ELECTRONIC HOT SURFACE IGNITION