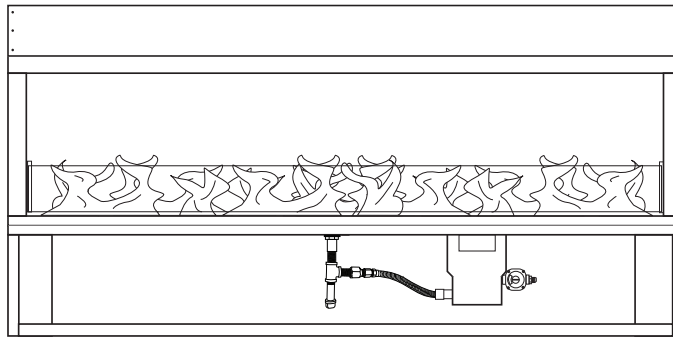




Kalea Bay Outdoor Gas Fireplace

Installation and Operating Instructions

This is a Single-Sided fireplace with the option of converting it into a See-Through fireplace.




MODELS

Natural Gas	Description	Propane
OFP-L36TFS-N	36" Open Front/See-Through Fireplace	OFP-L36TFS-P
OFP-L48TFS-N	48" Open Front/See-Through Fireplace	OFP-L48TFS-P
OFP-L60TFS-N	60" Open Front/See-Through Fireplace	OFP-L60TFS-P
OFP-L72TFS-N	72" Open Front/See-Through Fireplace	OFP-L72TFS-P

IF YOU CANNOT READ OR UNDERSTAND THESE INSTALLATION INSTRUCTIONS DO NOT ATTEMPT TO INSTALL OR OPERATE THIS APPLIANCE

INSTALLATION PRECAUTION:

This fireplace requires a minimum 18-square inches (per side) of cross ventilation. Failure to provide proper ventilation can void the warranty.



Warning: For Outdoor Use Only



We recommend that our gas hearth products be installed and serviced by professionals who are certified in the U.S. by the National Fireplace Institute® (NFI) as NFI Gas Specialists.

www.nficertified.org

PLEASE RETAIN THIS MANUAL FOR FUTURE REFERENCE



DANGER

CARBON MONOXIDE HAZZARD

This appliance can produce carbon monoxide which has no odor.

Using it in an enclosed area can kill you.

Never use this appliance in an enclosed space such as a camper, tent, car or home.



DANGER

If you smell gas:

1. Shut off gas to the appliance.
2. Extinguish any open flame.
3. If odor continues, keep away from the appliance and immediately call your gas supplier or fire department.



WARNING

Do not store or use gasoline or other flammable vapors and liquids in the vicinity of this or other appliances.

Any LP cylinder not connected for use shall not be stored in the vicinity of this or other appliances.

WARNING

Do not leave unattended during use.
Do not use for cooking.
Follow all gas leak procedures in this manual prior to operation.



WARNING

Improper installation, adjustment, alteration, service or maintenance can cause injury or property damage. Read the installation, operating and maintenance instructions thoroughly before installing or servicing this equipment.

WARNING

If the information in these instructions is not followed exactly, a fire or explosion may result causing property damage, personal injury or death.

FOR YOUR SAFETY

Do not store or use gasoline or other flammable vapors and liquids in the vicinity of this or other appliance.

CALIFORNIA PROPOSITION 65



WARNING

This product can expose you to Chromium, which is known to the state of California to cause cancer and birth defects or other reproductive harm.
(For more information, go to www.p65warnings.ca.gov)

CERTIFICATION: The Kalea Bay Outdoor fireplaces are tested and approved to ANSI Z21.97-2014, CSA 2.41-2014 standards by Underwriters Laboratories using listing MH#60069. It should be installed by a qualified installer in accordance with local and state building codes using National Fuel Gas Code ANSI Z223.1/NFPA54 or current CSA-B149.1 installation codes for Gas Burning Appliances and Equipment in Canada.

DESCRIPTION: These Outdoor fireplace models come pre-programmed and ready to operate with HI/LO capabilities once installation is complete. They use an electronic ignition that runs off of (4) AA batteries or an optional adapter (AF-4000ADP24). These are radiant fireplaces only and do not have a fan option. **Do not burn real wood or other combustible materials in these fireplaces.** Use only approved glass media. Each model is available for Natural or Propane gas and must be ordered accordingly. They are not field convertible. There is no venting required for this fireplace. Provide adequate clearances according to this manual and cross ventilation. The burner assembly is removable for service. NEVER obstruct the front opening(s) of the fireplace.

SAFETY

1. This appliance is only for use with the type of gas indicated on the rating plate. This appliance is not convertible for use with other gases.
2. Do not place Propane (LP) supply tanks inside any structure. Locate propane tanks outdoors.
3. This fireplace is to be used only outdoors in a well ventilated space and shall not be used in a building, garage, or any other enclosed area.
4. Do not use this fireplace as a wood burning fireplace. Use only high temperature media approved for use with this fireplace.
5. Do not use this fireplace to cook or burn paper or other objects.
6. Do not use if exposed to or under water. Immediately call a qualified service technician to inspect the fireplace and replace any part of the control system and any gas control which has been under water.
7. Turn fireplace OFF and let cool before servicing. Only a qualified service person should service and perform service.
8. To prevent performance problems in Propane (LP) fireplaces, do not use a Propane tank less than 100lbs. capacity.

COMMONWEALTH OF MASSACHUSETTS REQUIREMENTS

These appliances are approved for installation in the US state of Massachusetts if the follow additional requirements are met:

- Un-vented Room Heaters shall be installed in accordance with 527 CMR 30.
- Installation and repair must be done by a plumber or gas fitter licensed in the Commonwealth of Massachusetts.
- The flexible gas line connector used shall not exceed 36-inches (92 centimeters) in length.
- The individual manual shut-off must be a T-handle type valve.
- Unvented appliances may NOT be installed in bedrooms or bathrooms.
- A working smoke detector must be installed in the area where vent-free appliances are installed.

Seller of of unvented Propane or Natural gas-fired supplemental room heaters shall provide to each purchaser a copy of 527 CMR 30 upon sale of the unit.

State of Massachusetts: The installation must be made by a licensed plumber or gas fitter in the Commonwealth of Massachusetts.

Sellers of unvented Propane or Natural gas-fired supplemental room heaters shall provide to each purchaser a copy of 527 CMR 30 upon sale.

Vent-free gas products are prohibited for bedroom or bathroom installation in the Commonwealth of Massachusetts.

LOCAL CODES

Install and use fireplace with care. Follow all local codes. In the absence of local codes, use the latest edition of the National Fuel Gas Code ANSI Z223.1/ NFPA54.

Available from:

American National Standards Institute, Inc.
25 West 43rd Street, 4th floor
New York, NY 10036
National Fire Protection Association, Inc.
1 Batterymarch Park
Quincy, MA 02169-7471





Fuels used in gas fired appliances, and the products of combustion such as fuels, contain chemicals known to cause cancer, birth defects and/or other reproductive harm. This warning is issued pursuant to the California Health & Safety Code Sec. 25249.1

TABLE OF CONTENTS

Certification, Description & Safety Information	2
Installation Precautions	5-7
Framing, Gas Line & Cross Ventilation Requirements	6
Hard piping & High Elevation	7
Fireplace Specifications	8
Gas Pipe Sizing Chart	9
Single-Sided Fireplace Application	10
Dimensions; Combustible Clearances; Mantel Clearances	11
Framing with Metal Studs	12
See-Through Fireplace Application	13
Converting Fireplace to a See-Through Model	14
Dimensions; Combustible Clearances; Mantel Clearances	15
Framing with Metal Studs	16
Final Preparation	17-22
Installing Battery Pack & Transmitter Battery	17
Installing Pilot Covers in Burnerpan	18
Installation of Media in Burnerpan/Trough	19
Installation of Hoods and Windshield	20
Windshield Installation & Pilot Operation	21
Flame Height	22
Learning Additional Remote to Module (Receiver)	23
Operation	24
Lighting Instructions	24
Replacement Parts	25
Replacement Parts List	26-27
Fireplace Maintenance	27
Troubleshooting	28-30
Optional Accessories	31



All media (i.e. lava rock, lava stones, lava boulders and fire glass) has the potential of thermal spalling. This is a process that may occur when media is wet and moisture gets trapped inside of the material due to rapid temperature differences. When this happens the media has the potential to crack or “pop” outside the fireplace. Heavy rains, high humidity and the presence of moisture can contribute to this process.

ALWAYS USE CAUTION WHEN USING THE FIREPLACE

Extra caution should be taken when lighting a fireplace when heavy rains, high humidity and moisture are present. Light the fireplace; leave the area allowing any moisture in the media to dissipate. We strongly recommend that during this drying out time that you monitor the fireplace from a distance. This drying out period should be no less than 30 minutes. Continue monitoring the flame from distance to ensure that all popping has ceased before fully enjoying the fire.

INSTALLATION PRECAUTIONS

- 1. These fireplaces are designed for outdoor use only. Not approved for any indoor use.**
- We recommend using ¾" black iron pipe; however please refer to the NFPA54 (National Fuel Gas Code) for proper pipe sizing when exceeding 20-feet in length for fireplaces rated above 100,000 BTU.
- Determine which fireplace you are preparing to install, single-sided or see-through. (Refer to page 10 or 13).
- The Kalea Bay fireplace is not a "load bearing" fireplace. All finishing materials must be supported by the surrounding structure and not rely on the fireplace itself.**
- Follow the local code requirements for the gas type being used. This fireplace should be installed in accordance with local codes and ordinances or in the absence of local codes, with the latest National Fuel Gas Code, ANSI Z223.1 NFPA54 or CSA B149.1, Natural and Propane Installation Code in Canada.
- Fireplaces can create high temperatures, it is very important to have any combustibles at a safe distance.
- Normal operation of the fireplace is with a battery pack that is supplied with your system (Figs. 13-15 on page 17). The battery pack has 12-feet of black sleeved wire that is to be passed through the junction box provided. This wire should not be cut or spliced and the junction box can be placed in the facing of the vertical finish of the fireplace, if you place the wire under ground you should install those wires into an approved protective conduit/sleeve material.
- Fireplace should never be left unattended while in operation. It should always be a safe distance from all trees and combustible landscape materials.
- The fireplace must be installed on a flat, level, stable, non-combustible surface. **Exception:** It is permissible to place one layer of ½" cement board underneath the entire fireplace, then it may sit on a flat, level, stable, combustible surface. Drainage is critical to ensure that water does not damage gas valve and components. **Never install the fireplace system below grade.**
- CAUTION:** A minimum of 18 square inches of cross ventilation (per side) is required to keep the inside of the enclosure dry. Install the supplied VENT-KIT-6x12 approximately 3 to 4 inches from the floor centered on each end of the fireplace (See Fig. 3, page 6).
- Never fill the cavity under and around the valve box with any material, this is air space necessary for ventilation.
- Only non-combustible materials (i.e. metal studs and cement board) should come in direct contact with any part of the fireplace. Underneath area should be non-combustible or a flat level combustible surface according to the clearances specified in this manual. Bend out nailing flanges on ends of fireplace and secure to metal studs.
- This fireplace is designed to have glass media covering the burner trough, so the burner tube is not visible. Media is not provided. When purchasing media use minimum of ⅜" to ¾" diameter glass fill the burner trough. After the burner is covered you are permitted to use a larger media on top to cover the remaining burner pan. **DO NOT COVER THE IGNITION HOOD WITH ANY ROCK OR MEDIA.** See Fig. 19 on page 19 for details.
- Gas lines and fittings must be installed in to the non-combustible structure. All gas connections must be leak tested before installation of the fireplace. Leak detection is required before regular use of the fireplace.
- Do not use media that will absorb moisture over time and will not release this moisture quickly. Moisture can boil in this media and can rapidly break apart and cause property damage or personal injury.
- Never leave any other combustible material on top of the fireplace. This could cause unsafe operation of this system and damage to the component that will not be covered under our warranty.
- It is recommended to wear gloves when moving the fireplace into position and watch for sharp edges when handling the fireplace.



INSTALLATION PRECAUTIONS

CAUTION: BEFORE BEGINNING INSTALLATION CAREFULLY REMOVE THE GLASS WINDSHIELDS, PARTS BOX AND ANY PACKING MATERIALS FROM FIREPLACE AND SET ASIDE FOR LATER USE.

FRAMING: After framing is complete, slide the fireplace into position and secure it with the side nailing flanges. Next install cement board, securing it to the metal studs and fireplace. The framing provides for a flush fit up to the opening of the fireplace. **DO NOT PROTRUDE INTO THE FIREPLACE OPENING WITH CEMENT BOARD.**

GAS LINE: The gas line must have a predetermined location to enable it to be installed. Fig. 1 shows one example of an inlet gas line with a gas shut off at the fireplace. This allows a technician to shut the inlet gas supply OFF and remove the burner for servicing. **It is imperative that the flex line from the gas shut-off be long enough to lift out burner pan for service.** Ensure you follow the local and state gas codes per your installation.

RECOMMENDATION: Once the gas line is established it is recommended to remove the burner pan from the firebox until the fireplace is in the final stages and ready for the burner installation. See burner pan removal below.

IMPORTANT: It is permissible to reverse the burner pan in the field to enable a closer gas line connection if necessary.

BURNERPAN REMOVAL

The burnerpan is secured in the firebox with five screws. They are located at the outer edge of the burner pan on each corner. Remove all screws and lift the burner pan out of the firebox for gas connection (See Fig. 2).

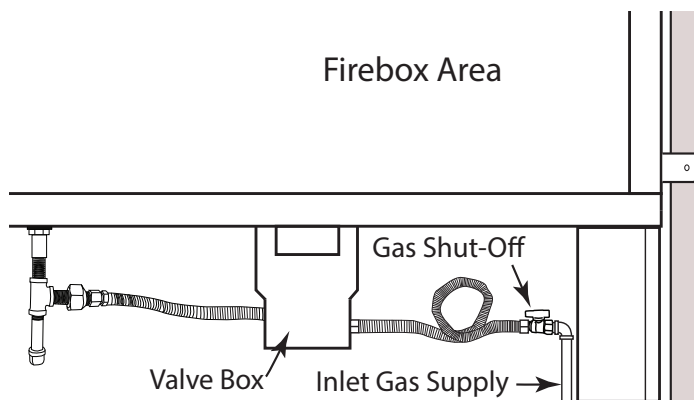


Fig. 1 Close up view of inlet gas connection with shut-off valve.

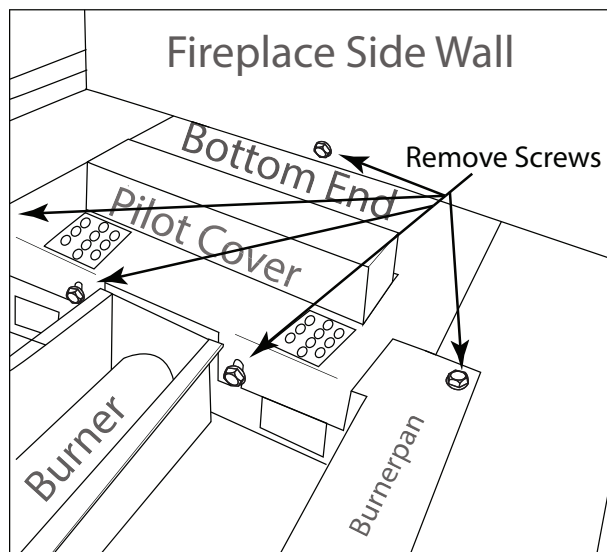


Fig. 2 Removal of burnerpan screws.

VENTILATION FOR NON-COMBUSTIBLE ENCLOSURE

Fireplaces are subjected to many outdoor elements such as rain, snow, wind, heat or cold. **A minimum of 18 square inches of cross ventilation (2 sides) is required to keep the components in good working order.** Use Fig. 3 as a guide.

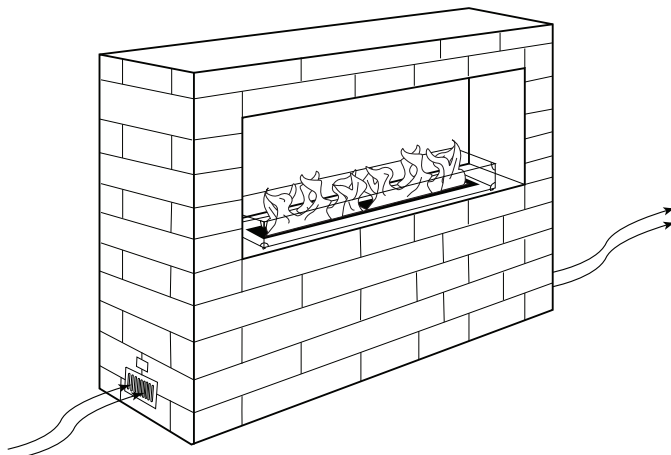


Fig. 3. Cross ventilation example providing minimum of 18-square inches per side using Firegear VENT-KIT-6x12 provided.

INSTALLATION PRECAUTIONS

WARNING: Proper clearances from combustible, construction materials must be maintained from all sides, top and bottom of this appliance. See specifications listed on pages 10-12 for a single-sided fireplace and pages 13-15 for a see-through fireplace.

The fireplace must be installed on a flat, level, stable, non-combustible surface. If one layer of ½" cement board is installed underneath the entire fireplace, it may sit on a flat, level, stable, combustible surface. Install fireplace according to the clearances specified in this manual. **NOTE:** Do not place fireplace directly on grass, dirt, or rocks this may prevent proper ventilation. **Ensure proper water drainage is also incorporated under the fireplace enclosure.**

IMPORTANT

Installation of Natural or LP gas should be done by a qualified installer, service agency or gas supplier. This appliance must be isolated from the gas supply piping system by closing its manual shutoff valve during any pressure testing of the gas supply piping system at test pressures equal to or less than ½ "psig (3.5kPa)

HARD PIPING TO Fireplace WITHOUT GAS PROXIMITY

NOTE: We recommend using ¾" black iron pipe; however please refer to the NFPA54 (National Fuel Gas Code) for proper pipe sizing when exceeding 20-feet in length for fireplaces rated above 100,000 BTU.

1. Turn **OFF** gas supply system. **NOTE:** All gas connections (except for brass to brass) require the following. Clean pipe threads using either a wire brush or steel wool. Apply pipe sealant to the fittings before making any connection. **BE CAREFUL!** Ensure all gas connections are snug, but do not over tighten!
2. Extend the gas supply using minimum of ¾" black iron pipe or an approved flexible gas line from existing house supply. This can be accomplished by teeing off or tapping into a gas line connection. Install necessary pipe for the distance required and then install a manual shut-off valve at the exterior house wall. If pipe is to pass through a foundation or house wall, make sure to re-seal the area around the pipe with weather sealant.
3. The primary gas shut-off (supplied) will require a ½" male flared fitting to enable connection of the stainless steel flex gas line supplied with the fireplace (See Fig. 1 page 6).

HIGH ELEVATION INSTALLATION

This appliance is listed for elevations from 0 to 4500 feet in Canada and the U.S. If elevation exceeds 4500 feet it may be necessary to decrease the input rating by changing the existing burner orifice to a smaller size. Input should be reduced 4% for each 1000 feet beyond the 4500 feet above sea level. Check with your local gas utility for assistance in determining the proper orifice in your location. In some cases the heating value may already be reduced and downsizing the orifice may not be necessary.

PAY CLOSE ATTENTION TO THE FOLLOWING PAGES. THIS FIREPLACE IS SHIPPED AS A SINGLE-SIDED FIREPLACE, HOWEVER YOU HAVE THE OPTION TO CONVERT IT INTO A SEE-THROUGH FIREPLACE. READ THE HEADERS CAREFULLY TO ENSURE YOU ARE FOLLOWING THE CORRECT INSTALLATION.

UNLESS SPECIFIED, ALL OTHER PAGES ARE COMMON FOR BOTH FIREPLACES. REVIEW THE INSTALLATION PRECAUTIONS BEFORE INSTALLING ANY OF THESE MODELS. IF YOU HAVE ANY QUESTIONS PLEASE CALL OUR TECHNICAL SERVICE DEPARTMENT AT 1-855-498-8324.

The bottom support fin seen in several figure drawings on pages 11 to 16 has pre-punched holes on inside edge to secure fin into place before attaching cement board.



SPECIFICATIONS

NOTE: These fireplaces come shipped as Natural Gas or Propane Gas models only. There is no conversion kit available. Ensure you order the specific model for your gas type.

IMPORTANT: It is permissible to reverse the burner pan in the field to enable a closer gas line connection if necessary.

<i>Model:</i>	<i>Factory Orifice</i>	<i>NG Btu's High</i>	<i>NG Btu's Low</i>	<i>Low Rate Screw</i>	<i>Model:</i>	<i>Factory Orifice</i>	<i>LP Btu's High</i>	<i>LP Btu's Low</i>	<i>Low Rate Screw</i>
OFP-L36TFS-N	#42	31,000	21,000	#00	OFP-L36TFS-P	#52	30,000	19,500	#55
OFP-L48TFS-N	#35	42,500	26,000	#00	OFP-L48TFS-P	#48	42,500	29,000	#47
OFP-L60TFS-N	#31	50,000	36,000	#00	OFP-L60TFS-P	#45	50,000	36,000	#37
OFP-L72TFS-N	#29	65,000	42,000	#00	OFP-L72TFS-P	#42	60,000	45,000	#00

Table 1. Fireplace dimensions and clearances.

Disclaimer: Btu listings are based on 7.0"WC for Natural Gas and 11.0"WC for Liquid Propane (LP) at the inlet side of gas valve. Flex line size and proper gas pipe sizing will also affect Btu's. As a result your Btu's may vary slightly from Table 1 specifications.

<i>Pressure</i>	NG	LP
Min. Inlet	5.0" WC	10.5" WC
Max. Inlet	10.5" WC	13.0" WC
Normal Inlet	7.0" WC	11.0" WC
Manifold	5.0" WC	10.5" WC

Table 2 Gas Pressures

This fireplace ships from the factory as a single-sided fireplace with the option of removing the back panels to convert it into a see-through fireplace. Your specific application, single-sided or see-through will determine how you install and frame this fireplace. Carefully read through this manual to understand

GAS PIPE SIZING CHART

NATURAL GAS : PIPE SIZING CHART

Length of Pipe in Feet	1/2"	3/4"	1"	1 - 1/4"	1 - 1/2"	2"	2 - 2 1/2"	3"	4"
10	108	230	387	793	1237	2259	3640	6434	-
20	75	160	280	569	877	1610	2613	5236	9521
30	61	129	224	471	719	1335	2165	4107	7859
40	52	110	196	401	635	1143	1867	3258	6795
50	46	98	177	364	560	1041	1680	2936	6142
60	42	89	159	336	513	957	1559	2684	5647
70	38	82	149	317	476	896	1447	2492	5250
80	36	76	140	239	443	840	1353	2315	4900
90	33	71	133	275	420	793	1288	2203	4667
100	32	68	126	266	411	775	1246	2128	4518
125	28	60	117	243	369	700	1143	1904	4065
150	25	54	105	215	327	625	1008	1689	3645
175	23	50	93	196	303	583	993	1554	3370
200	22	47	84	182	280	541	877	1437	3160
300	17	37	70	145	224	439	686	1139	2539

- Natural Gas (NG) flow is given in thousands of BTU/hr. = 1 cubic foot of NG gas - 1000 BTU
- Nominal pressure at the burner for Natural Gas is 3.5" of water column. (Typical machine supply 5"-7")
- Pipe length must include additional length for all fittings. Add approximately 5 feet of pipe per fitting.
- Natural Gas Example: A machine with a burner that requires 440,000 BTU would need a 1 -1/4" pipe for a 20" long run.

LIQUID PROPANE : PIPE SIZING CHART

Length of Pipe in Feet	1/2"	3/4"	1"	1 - 1/4"	1 - 1/2"	2"	2 - 2 1/2"	3"	4"
10	275	567	1071	2205	3307	6221	10140	17990	35710
20	189	393	732	1496	2299	4331	7046	12510	25520
30	152	315	590	1212	1858	3465	5695	10110	20620
40	129	267	504	1039	1559	2992	4778	8481	17300
50	114	237	448	913	1417	2646	4343	7708	15730
60	103	217	409	834	1275	2394	3908	6936	14150
70	89	185	346	724	1086	2047	3329	5908	12050
80	78	162	307	630	976	1811	2991	5309	10830
90	69	146	275	567	866	1606	2654	4711	9613
100	63	132	252	511	787	1496	2412	4281	8736
125	54	112	209	439	665	1282	2083	3618	7382
150	48	100	185	390	590	1138	1808	3210	6549
175	43	90	168	353	534	1030	1637	2905	5927
200	40	83	155	325	491	947	1505	2671	5450
300	37	77	144	303	458	887	1404	2492	5084

- Liquid Propane (LP) Gas flow is given in thousands of BTU/hr. = 1 cubic foot of LP gas - 2500 BTU.
- This chart refers to low pressure LP, after regulation, Standard nominal pressure at the burner for Liquid Propane Gas is 11" of water column.
- Pipe length must include additional length for all fittings. Add approximately 5 feet of pipe per fitting.
- LP Example: A machine with a burner that requires 440,000 BTU would need a 1" pipe for a 20' long run.

NOTE: The sizing charts above list the specific pipe sizes required for the amount of BTU's for a new gas line installations. If you are using an existing gas line you must take into consideration the existing gas line capacities to ensure you will have proper pressure. **This chart is for reference only, we recommend you consult with a Licensed Plumber/Gas Fitter or NFPA54 (National Fuel Gas Code - current edition) for more details.**

Table 3 Gas Pipe Sizing Chart



SINGLE-SIDED FIREPLACE DIMENSIONS, FRAMING AND CLEARANCES SECTION

This fireplace comes with several items prepackaged inside the fireplace with a box labeled PARTS INSIDE DO NOT DISCARD.

Read the list below the contents:

- (1) Transmitter
- (1) Battery Pack
- (4) AA Batteries
- (1) 12-volt Battery
- (1) Plastic Junction Box
- (1) Cover Plate for Junction Box
- (2) Stainless Steel Hoods
- (2) Glass Clips
- (2) Pilot Covers
- (2) 6x12 Black Vents
- (12) Black Screws, Nuts & Washers
- (1) Installation Manual
- (2) Glass Windshields (inside firebox)

NOTE: The Kalea Bay requires a specific amount of media (not supplied) to cover the burner. See page 19, Tables 8 & 9 for details.

SINGLE-SIDED FIREPLACE DIMENSIONS & CLEARANCES

Ensure you follow the proper clearances during installation.

Model: Natural Gas (NG)	Model: Propane Gas (LP)	A Overall Length	B Inside Opening	C Overall Height	D Opening Height	E Overall Depth	F Leg Height	G Valve Box Depth	H Clearance To Combustible Side Wall	I Clearance To Combustible Ceiling
OFP-L36TFS-N	OFP-L36TFS-P	40"	36"	37½"	16"	16"	11½"	8¾"	6"	42 ½"
OFP-L48TFS-N	OFP-L48TFS-P	52"	48"	37½"	16"	16"	11½"	8¾"	6"	42 ½"
OFP-L60TFS-N	OFP-L60TFS-P	64"	60"	37½"	16"	16"	11½"	8¾"	6"	42 ½"
OFP-L72TFS-N	OFP-L72TFS-P	76"	72"	37½"	16"	16"	11½"	8¾"	6"	42 ½"

Table 4 Fireplace dimensions and clearances.

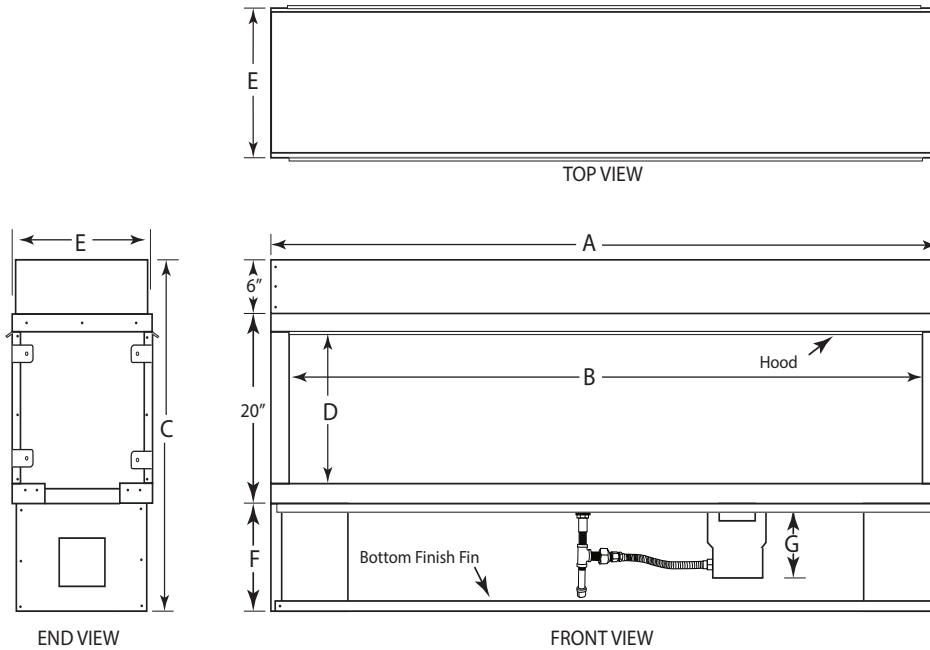


Fig. 4 Fireplace dimensions; refer to Table 3.

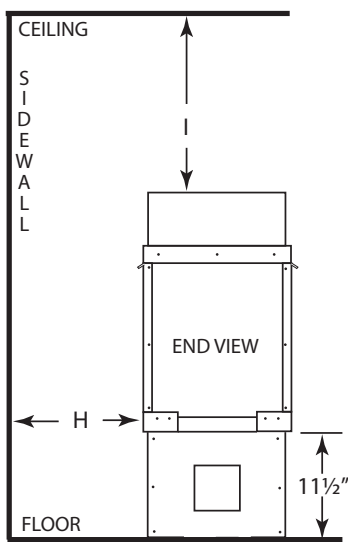


Fig. 5 Single-sided fireplace clearance to combustibles (See Table 3)

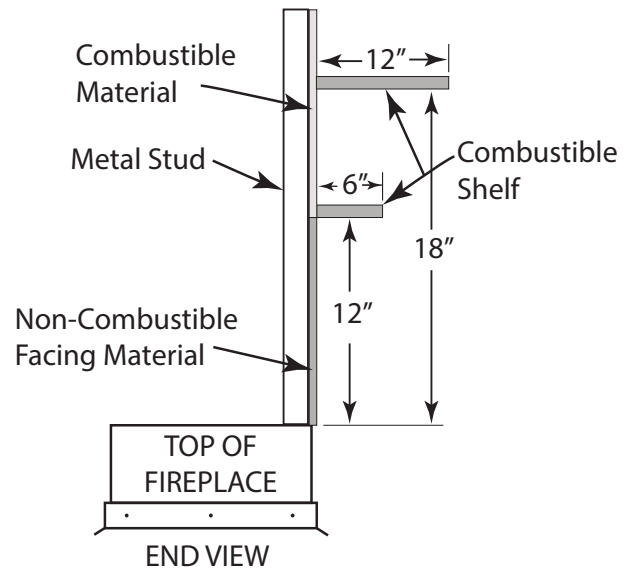


Fig. 6 Open front fireplace mantel clearances

SINGLE-SIDED FRAMING DIMENSIONS WITH METAL STUDS

CAUTION: THIS FIREPLACE MUST BE FRAMED WITH METAL STUDS

Model: Natural Gas (NG)	Model: Propane Gas (LP)	A Width	B Height	C Depth
OFP-L36TFS-N	OFP-L36TFS-P	40 1/2"	37 3/4"	16"
OFP-L48TFS-N	OFP-L48TFS-P	52 1/2"	37 3/4"	16"
OFP-L60TFS-N	OFP-L60TFS-P	64 1/2"	37 3/4"	16"
OFP-L72TFS-N	OFP-L72TFS-P	76 1/2"	37 3/4"	16"

Table 5 Fireplace framing dimensions.

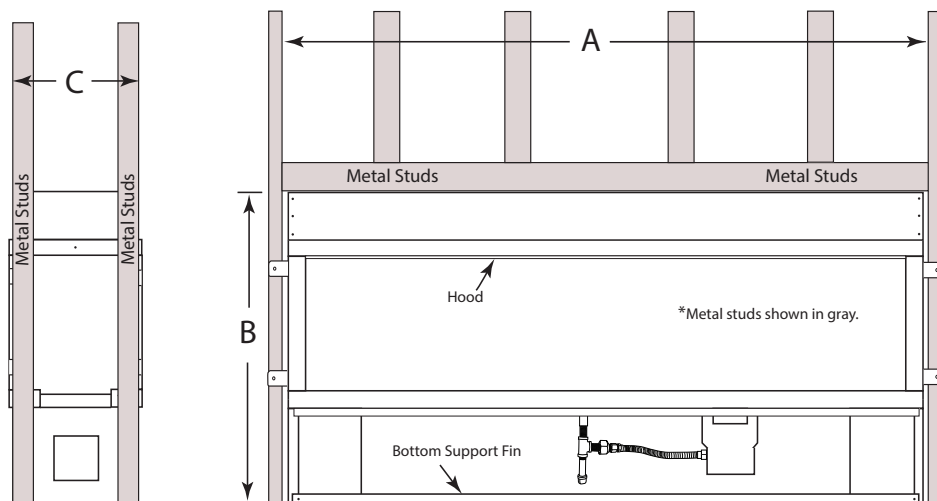


Fig. 7 Framing dimensions using all non-combustible materials for single-sided fireplace; refer to Table 5.



NOTE: The Kalea Bay fireplace is not a “load bearing” fireplace. All finishing materials must be supported by the surrounding structure and not rely on the fireplace itself.

SEE-THROUGH FIREPLACE DIMENSIONS AND CLEARANCES SECTION

This fireplace comes with several items prepackaged inside the fireplace with a box labeled PARTS INSIDE DO NOT DISCARD.

Read the list below the contents:

- (1) Transmitter
 - (1) Battery Pack
 - (4) AA Batteries
 - (1) 12-volt Battery
 - (1) Plastic Junction Box
 - (1) Cover Plate for Junction Box
 - (2) Stainless Steel Hoods
 - (2) Glass Clips
 - (2) Pilot Covers
 - (2) 6x12 Black Vents
 - (12) Black Screws, Nuts & Washers
 - (1) Installation Manual
 - (2) Glass Windshields (inside firebox)
- NOTE:** The Kalea Bay requires a specific amount of media (not supplied) to cover the burner. See page 19, Table 8 & 9 for details.

SEE-THROUGH FIREPLACE INSTALLATION ONLY

If you have determine to install the fireplace as a see-through model then you will need to remove the rear back panel to convert it. Before removing the back panel be sure to remove the contents out of the firebox area.

Use the following steps:

Step 1: Look at the back side of the fireplace. Around the outer perimeter area of the back wall are several screws that must be removed (See the shaded area in Fig. 8). Only remove the top and bottom screws on the rear panel. The nailing flange will remain in place. The back wall panel will remain in one piece. **CAUTION:** Watch for sharp edges. **Note:** The numbers of screws to remove will vary with each fireplace model.

Step 2: The back panel will not be used again. Discard back panel and replace the screws previously removed.

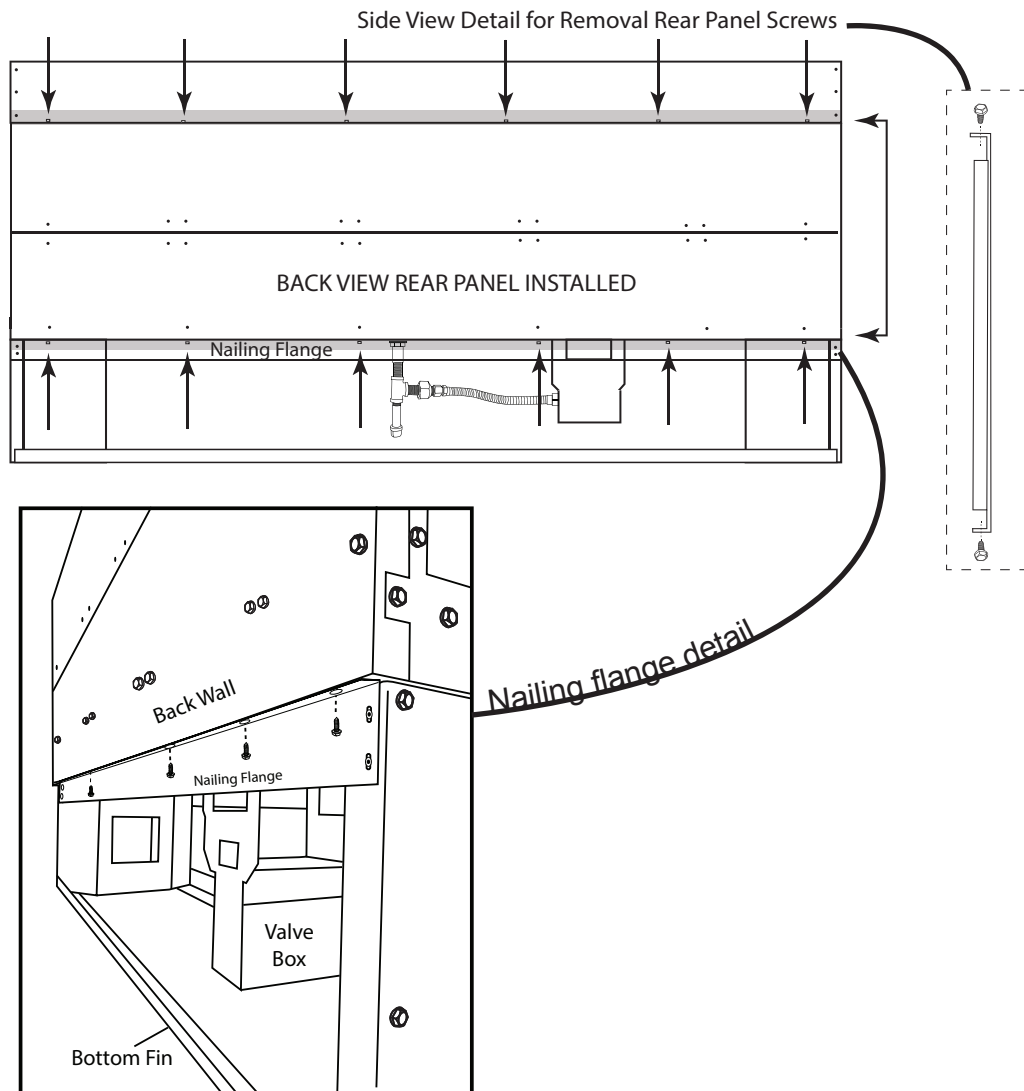


Fig. 8 Removing back wall to convert to see-through model.

NOTE: When converting to the see-through fireplace the windshield clips will need to be installed. See Figs. 25 and 26 on pages 18 & 19. Two windshield clips are already be installed for a single-sided fireplace, the other two clips will need to be installed for a see-through model. The clips will be packaged with the glass windshields. The retaining screws for the clips are already installed in the fireplace. Simply remove the screws and reattach with the windshield clips in place as shown in Fig 26. The see-through fireplace requires windshields on both sides for proper operation.

The bottom support fin (Fig. 10) has pre-punched holes on inside edge to secure fin into place before attaching cement board and the additional hood will need to be installed.

SEE-THROUGH FIREPLACE DIMENSIONS & CLEARANCES ONLY

This fireplace ships from the factory as a single sided fireplace but, by removing the back panels you can convert it into a see-through fireplace. Your specific application, single sided verses see-through will determine your installation. Ensure you follow the proper clearances during installation.

Model: Natural Gas (NG)	Model: Propane Gas (LP)	A	B	C	D	E	F	G	H	I
		Overall Length	Inside Opening	Overall Height	Opening Height	Overall Depth	Leg Height	Valve Box Depth	Clearance To Combustible Side Wall	Clearance To Combustible Ceiling
OFP-L36TFS-N	OFP-L36TFS-P	40"	36"	37½"	16"	16"	11½"	8¾"	36"	42 ½"
OFP-L48TFS-N	OFP-L48TFS-P	52"	48"	37½"	16"	16"	11½"	8¾"	36"	42 ½"
OFP-L60TFS-N	OFP-L60TFS-P	64"	60"	37½"	16"	16"	11½"	8¾"	36"	42 ½"
OFP-L72TFS-N	OFP-L72TFS-P	76"	72"	37½"	16"	16"	11½"	8¾"	36"	42 ½"

Table 6 Fireplace dimensions and clearances.

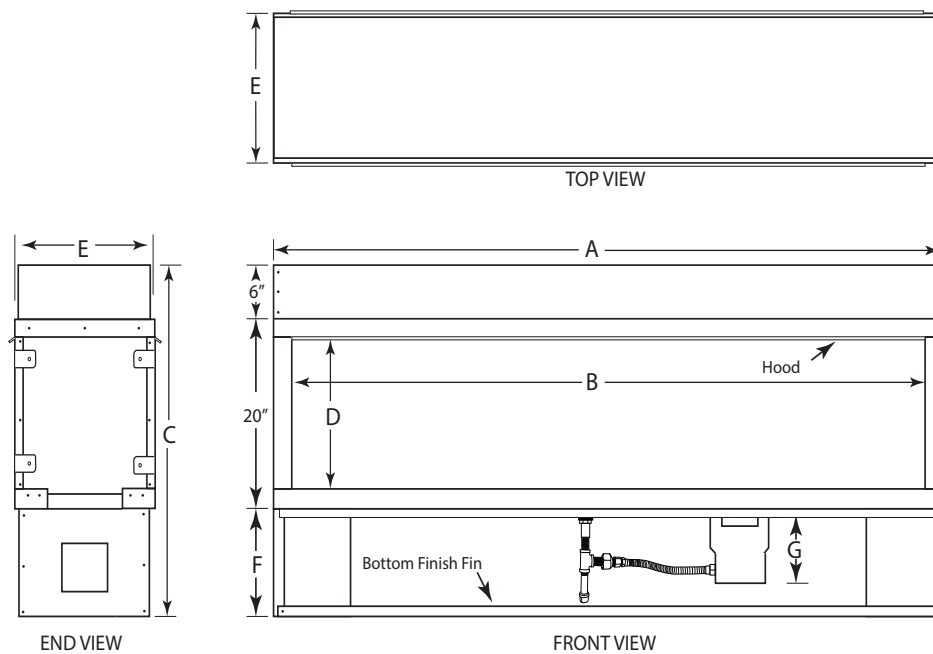


Fig. 9 Fireplace dimensions; refer to Table 6

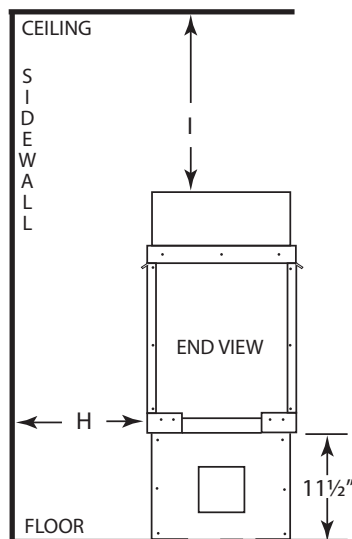


Fig. 10 See-through fireplace clearance to combustibles (See Table 6)

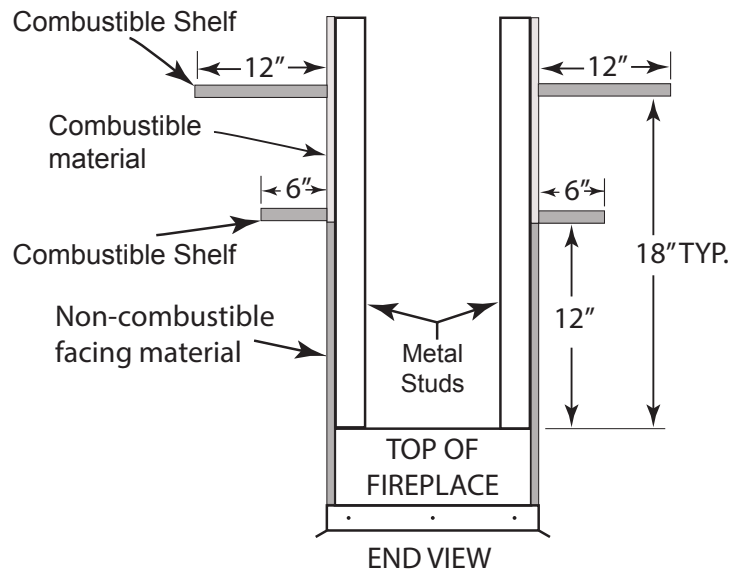


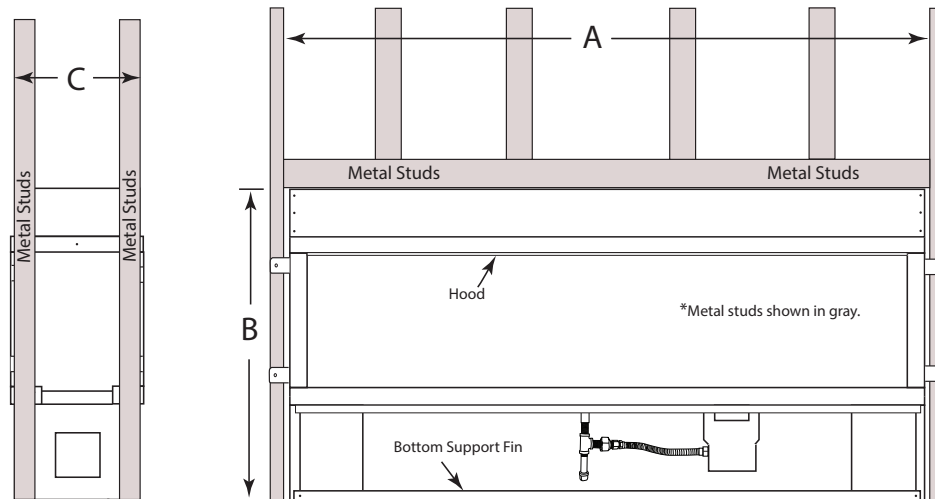
Fig. 11 See-through fireplace mantel clearances

SEE-THROUGH FRAMING DIMENSIONS WITH METAL STUDS

Model: Natural Gas (NG)	Model: Propane Gas (LP)	A Width	B Height	C Depth
OFP-L36TFS-N	OFP-L36TFS-P	40 1/2"	37 3/4"	15"
OFP-L48TFS-N	OFP-L48TFS-P	52 1/2"	37 3/4"	15"
OFP-L60TFS-N	OFP-L60TFS-P	64 1/2"	37 3/4"	15"
OFP-L72TFS-N	OFP-L72TFS-P	76 1/2"	37 3/4"	15"

NOTE: The standoffs attached to the top of the fireplace (secured flat) are not required if using all non-combustible finishing materials.

Table 7 Fireplace framing dimensions.



NOTE: The Kalea Bay fireplace is not a “load bearing” fireplace. All finishing materials must be supported by the surrounding structure and not rely on the fireplace itself.

Fig. 12 Framing dimensions using all non-combustible materials for single-sided fireplace; refer to Table 7.

FINAL PREPARATION

INSTALLATION OF BATTERY PACK

1. The battery pack should be installed into the either end of the fireplace no higher than 11 ½" from the bottom. A plastic junction box is provided for the installation of the battery pack (See Figs. 13-15). We recommend a weather resistance cover to protect battery pack.
2. The wiring extending from the valve box is a 12-foot special 4-pin connector that connects to the battery pack and (2) two additional wires with ¼" female connectors. A complete wiring diagram (Fig. 28) is located on page 30.
3. Feed all wires into the plastic junction box and connect special 4-pin plug into back of the battery pack. Connect ¼" female spade connectors to solenoid wires matching color, red-to-red and black-to-black.
4. Install the (4) AA batteries in to the battery compartment shown in Fig 13. Double check to ensure the slide switch is in the Latching Solenoid position on the battery pack. Then snap cover plate in place as shown in Fig 15.

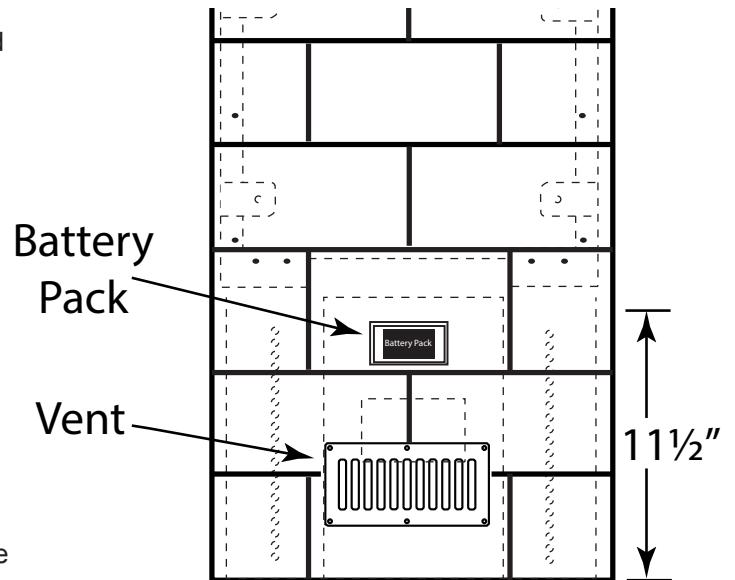


Fig.14 Battery pack location in end of fireplace.

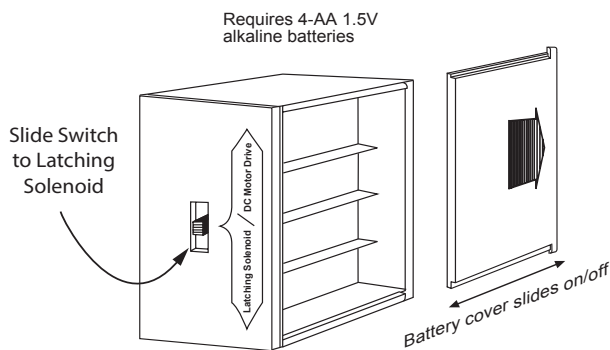


Fig. 13 Slide switch on latching solenoid

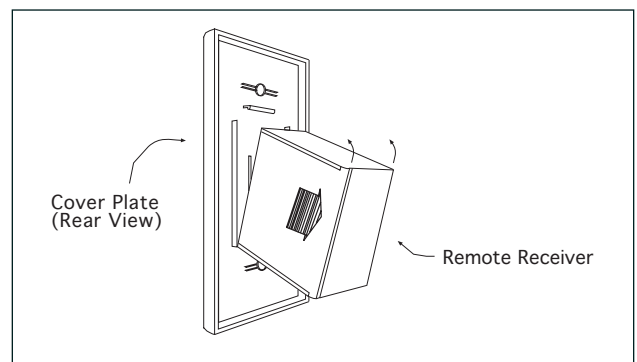


Fig. 15 Cover plate installation

5. Reinstall the battery pack into the plastic junction box, line up the two holes in the cover and install white screws provided. Batteries can be changed or installed by removing the two screws that hold the cover plate battery pack in place. Remove assembly, slide cover away from the cover plate and install the (4) four AA batteries.
6. Be sure the batteries are installed positive-to-positive and negative-to-negative. If one battery is installed wrong the system will not operate.
7. Once the fireplace is installed into the enclosure, the burner and control system should be tested before the media (rocks/glass) are installed.

INSTALLATION OF BATTERY INTO TRANSMITTER

You have one handheld transmitter and you will need to install the included (12-volt battery) into the transmitter. On the backside of the transmitter, push the cover away from the case. Place the battery into the compartment matching positive-to-positive and negative-to-negative. To ensure the battery is properly installed push any button on the transmitter and you will see a red LED light at the top of the transmitter glow. The red LED light above the ON button will only be lit when button is pushed. See Fig. 19.

CAUTION: Handheld transmitter should not be left outside exposed to the elements when fireplace is not in use.

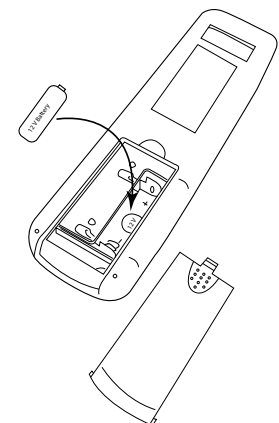


Fig. 19 Battery installation into remote control.

FINAL PREPARATION

When the fireplace is framed into position and the gas line is run in place it is recommended to burn test the fireplace before the finish work is complete. This will ensure proper operation and enables the installer to check for any gas leaks at the fireplace.

NOTE: The pilot covers have a plastic film that must be removed before installing.

Once the burner pan assembly secured into position, the pilot covers must be installed (one on each side). After you have removed the plastic film install the pilot covers into the open slot of the each burner end (spacers that center the burner) with the with the open side of pilot cover facing toward the fireplace side wall (See Figs 16-17). **NOTE:** Even though there is no pilot on the opposite end the other pilot cover provides combustion air evenly to the burner for operation.

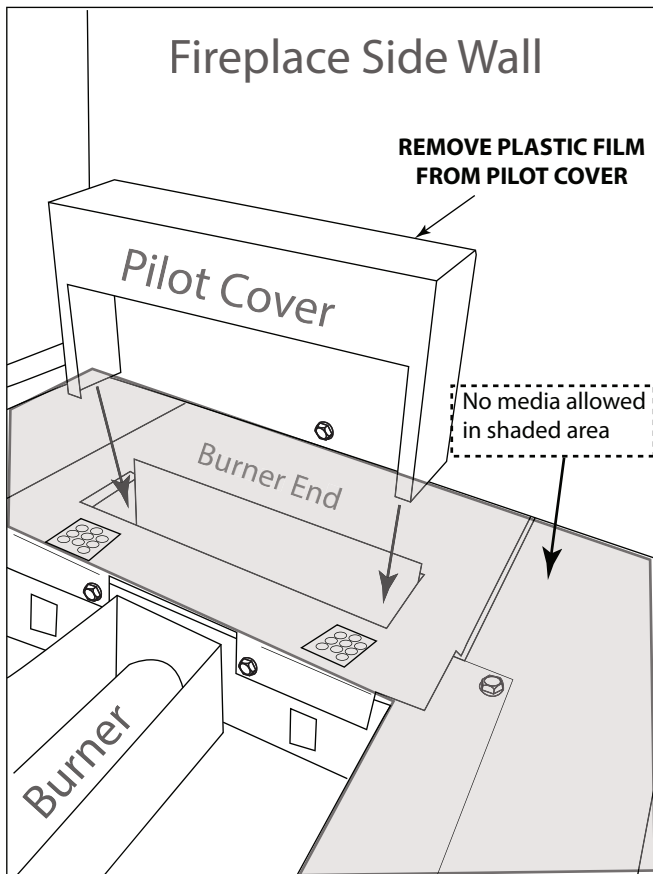


Fig. 16 Installing pilot cover.

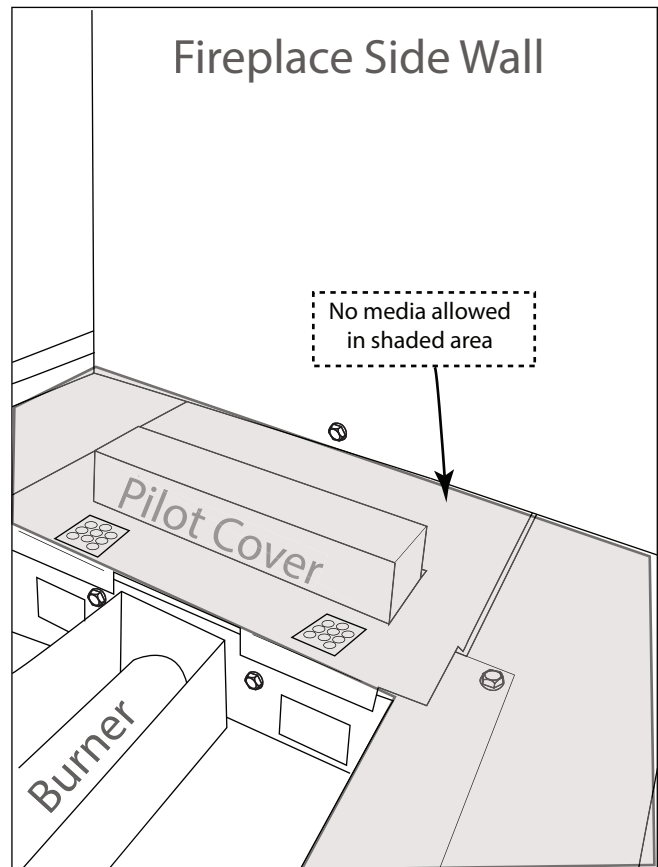


Fig. 17 Pilot cover installed.

FINAL PREPARATION

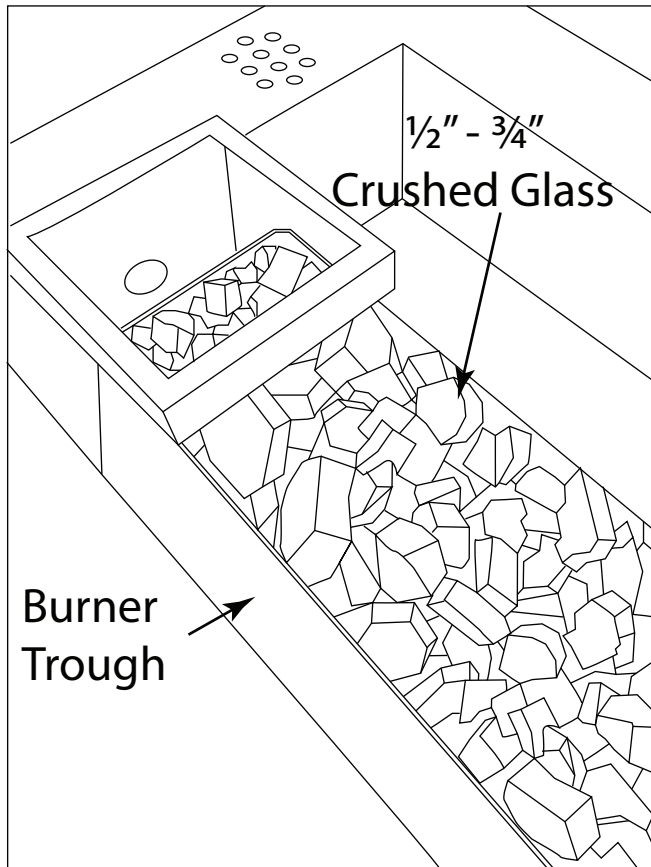


Fig. 18 Installing media into the fireplace.

Note: If using lava rock on the burner place it in by hand and do not dump the bag. Lava rock dust can potentially plug the burner port holes.

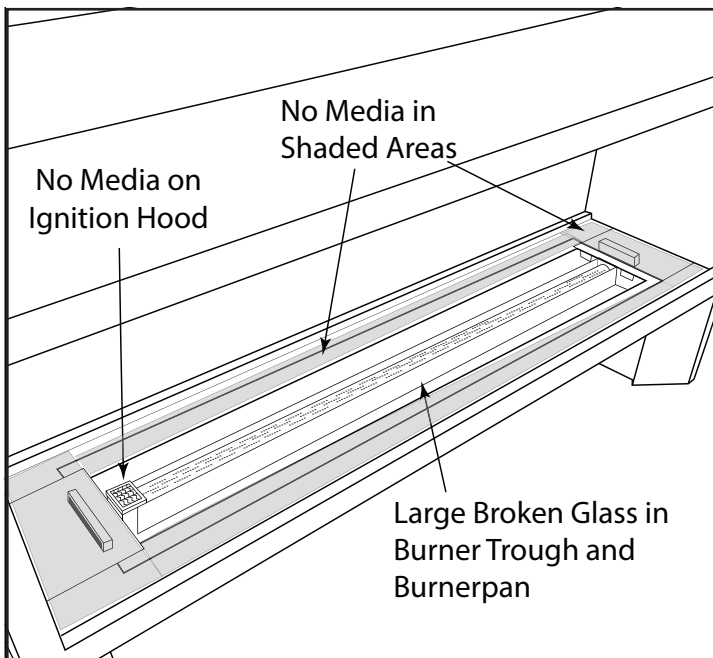


Fig. 19 Covering the entire fireplace floor is not permitted.

The Kalea Bay requires Firegear GL $\frac{1}{2}$ "- $\frac{3}{4}$ " large broken glass, GLR $\frac{1}{2}$ "- $\frac{3}{4}$ " large reflective glass or Firegear 1"-2" lava rock to be installed into the burner trough. Covering the entire burner area is optional. Use the tables below to assist in determining the amount of media needed for your specific model.

Large Broken Glass		
Model #	Entire Burnerpan	Trough Only
OFP-L36TFS	20lbs (4-5# bags)	4lbs (1-5# bag)
OFP-L48TFS	30lbs (6-5# bags)	5lbs (1-5# bag)
OFP-L60TFS	35lbs (7-5# bags)	6lbs (2-5# bags)
OFP-L72TFS	40lbs (8-5# bags)	7lbs (2-5# bags)

Table 8 Media specifications. Requires Firegear GL or GLR $\frac{1}{2}$ " - $\frac{3}{4}$ " (Entire burnerpan column includes filling the trough).

Lava Rock		
Model #	Entire Burnerpan	Trough Only
OFP-L36TFS	18lbs (2-10# bag)	10lb (1-10# bag)
OFP-L48TFS	23lbs (2-10# bag)	15lbs (2-10# bag)
OFP-L60TFS	33lbs (4-10# bag)	20lbs (2-10# bag)
OFP-L72TFS	40lbs (1-50# bag)	25lbs (3-10# bag)

Table 9 Media specifications. Requires Firegear lava rock 1" - 2" (Entire burnerpan column includes filling the trough).

Note: Media amounts listed in Tables 8 & 9 are guides and will vary depending on media used. Ensure not to cover more than 1-inch above the actual burner tube and keep all media within the windshield area.

INSTALLING MEDIA

Install media (Firegear lava rock or GL Series large broken glass) into the burner pan. Ensure the media used is per Tables 8 & 9. Install the media into the burner trough (box surrounding the burner tube). Fill the trough to the top edge with the media. Media must stop at the top edge of the trough. After filling the trough reinstall the mesh hood over-top of the pilot area. **NOTE:** In some cases you may have more media than needed for the "trough only" applications, depending on the model. Discard any extra media or use it to fill the floor area.

Once the burner trough is filled the burner pan area of the fireplace can be filled with additional lava rock, or crushed glass to blend the trough area in Fig. 19.

Note: No media is permitted outside the burner pan and trough area.

FINAL PREPARATION

INSTALLING HOOD(S)

The Kalea Bay fireplace requires hoods to be installed into the upper opening of the firebox. If you are installing a single-sided fireplace you only install one (1) hood. **NOTE: If you are installing a see-through fireplace a hood is required on both sides of the fireplace opening.** All models require five (5) screws to secure the hood to the fireplace except the OFP-L72TFS, it uses seven (7) screws to secure the hood.

Fig. 24 shows hole location and installation process for hood installation. The protruding area of the hood is to be angled downward for proper installation, see Hood Detail below.

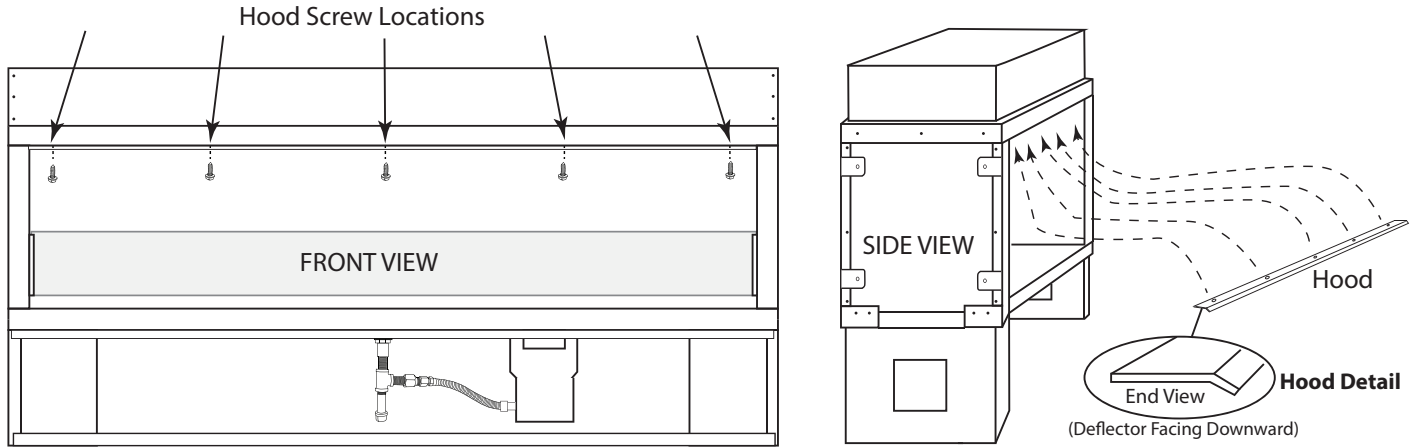


Fig. 20 Installing hood(s) on the fireplace.

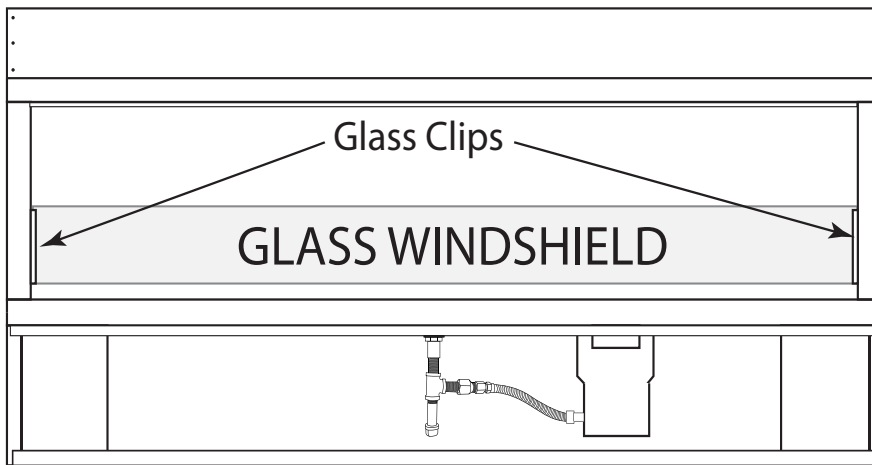


Fig. 21 Windshield clips location.



WARNING: During operation of the fireplace the glass will get hot! Hot glass will cause burns.

DO NOT TOUCH glass until cooled.

NEVER allow children to touch the glass.

FINAL PREPARATION

WINDSHIELD INSTALLATION

The glass windshield(s) slide into the two clips on each end of the fireplace and rest in position if installing for a single-sided fireplace (See Fig. 21) for the location. If you are installing a see-through fireplace, you will need to install two additional glass clips (provided) into the opposite side of the fireplace in the same location as the existing clips. Use the two screws installed in the fireplace side wall to secure the clips (glass holders). There are two glass windshields provided to install on each side of the fireplace. The glass will rest on the bottom tab of each windshield clip.

CAUTION: THIS IS TEMPERED GLASS. DO NOT CHIP GLASS. CHIPPED TEMPERED GLASS CAN BREAK WITHOUT WARNING.

NOTE: If you are not using the extra windshield provided it can be used as a replacement part.

INSTALLING WINDSHIELD INTO CLIPS

1. Carefully unpackage the windshield(s).
2. Using gloves carefully lift the windshield into the top opening (above the clips) of the fireplace, supporting the glass at the top and bottom as you handle it.
3. Carefully bring the bottom edge of the glass into the top area of the windshield clip (See Fig. 22).
4. As the glass enters the clip the bottom edge of the glass will rest in place on the bottom of the clip.
5. Center glass between clips after installation.

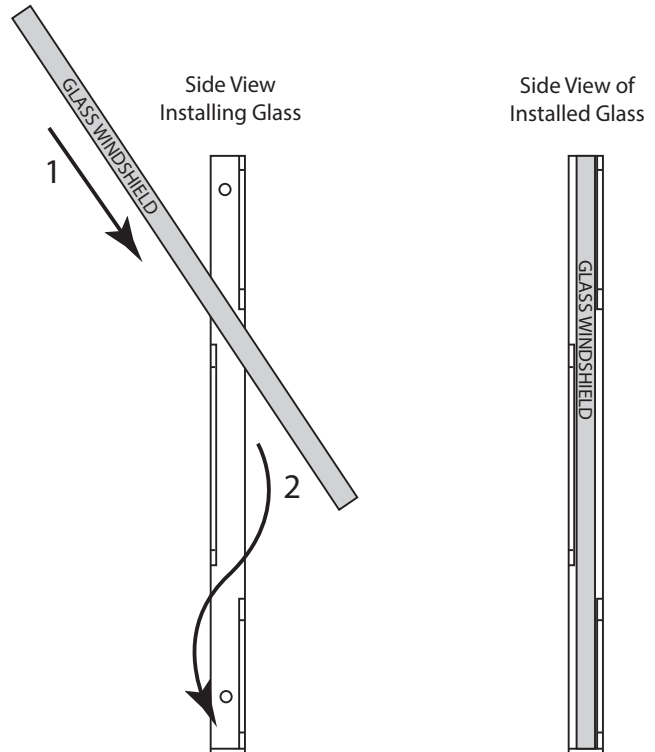


Fig. 22 Installing windshield into clips (glass holders).

PILOT OPERATION

The pilot assembly is located at the end of the burner hidden underneath a pilot cover. Ensure the pilot flame is passing through the ignition hole in the burner pan for proper ignition. Use the Fig. 23 as a guide.

CAUTION: Ensure there is no media in the ignition hole area. The burner tube gas ignites in this area to light the fireplace. Media in this area could cause delayed ignition.

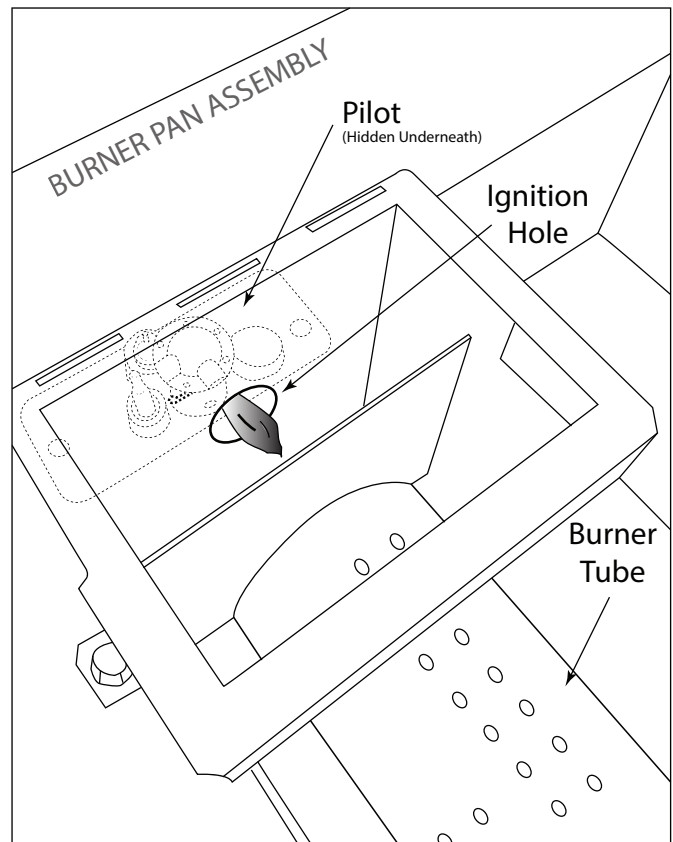


Fig. 23 Proper pilot flame through ignition hole.

FINAL PREPARATION

FLAME HEIGHT

Proper flame height (Fig. 24) should be at the top edge of glass windshield (peaking above at times) while on HI setting. The LO setting will be at least half of the height of HI or maybe lower. There will be a slight variance in flame height on Natural gas verses LP gas models.

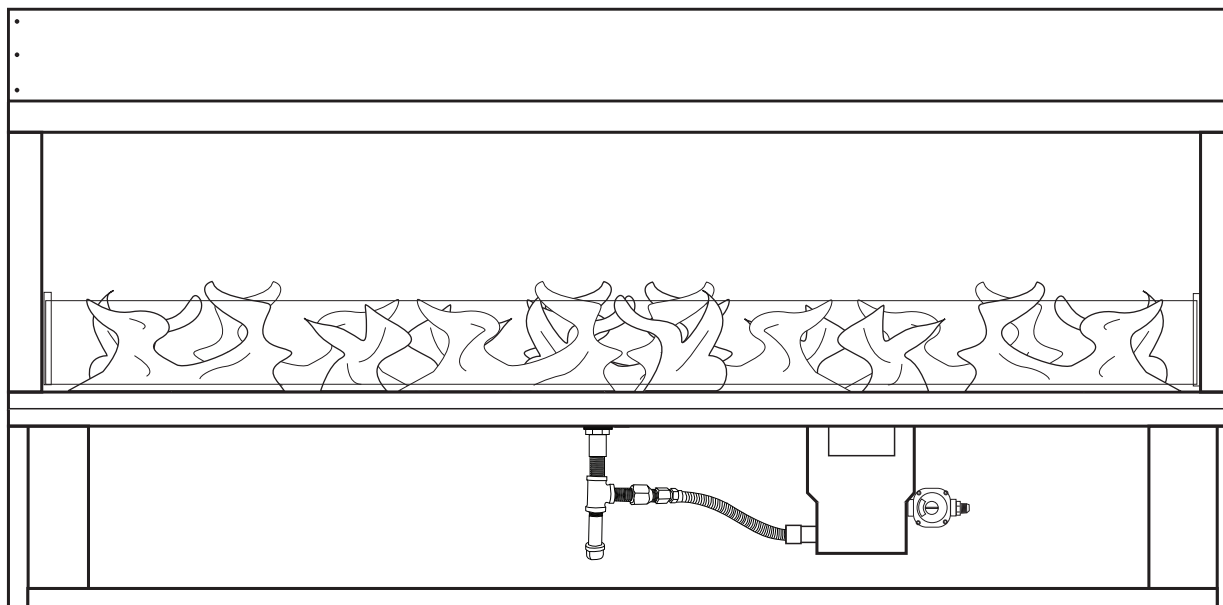


Fig. 24 Proper flame height.

LEARNING ADDITIONAL REMOTES CONTROLS

LEARNING ADDITIONAL REMOTE TO THE MODULE

See www.firegearoutdoors.com for a video showing how this can be accomplished.

The Kalea Bay fireplace comes standard with one remote controlled transmitter. The handheld remote is shipped with this system are already learned (programmed) to the module inside the control box. Simply install the batteries in the battery pack and remote control and press the ON button of the remote control (See Fig. 19 page 17).

Additional transmitters can be learned to this electronic module; up to a total of three Firegear Outdoors transmitters are available. Contact Firegear Outdoors to discuss additional transmitter options or see the accessory page of this instruction manual.

Learning the new transmitters is simple, but will require pressing the learn button on the module. You should learn any new transmitters before the final installation of the fireplace. Follow the steps below:

1. Remove the access screw from the valve box (See Fig. 25). The cover will slide down exposing the gas valve and control module.
2. Find the black module attached to the inside of the control box. Locate the "Learn Button" on the bottom of the module.
3. Once the Learn button is located, press and release the button once. You will hear a beep indicating that the module is ready to receive a transmitter code (See Fig. 26)
4. Take the transmitter and press the OFF button. You will hear a series of rapid beeps indicating the module has accepted the new code.

NOTE: A maximum of three (3) codes can be programmed to the module. After a total of three (3) codes have been programmed the memory is full and will not accept any additional codes. To clear all codes, press and hold the learn button for 10 seconds. The module will beep three (3) times indicating the memory is clear of all codes. After codes have been cleared see Step #3 above to re-learn transmitter.

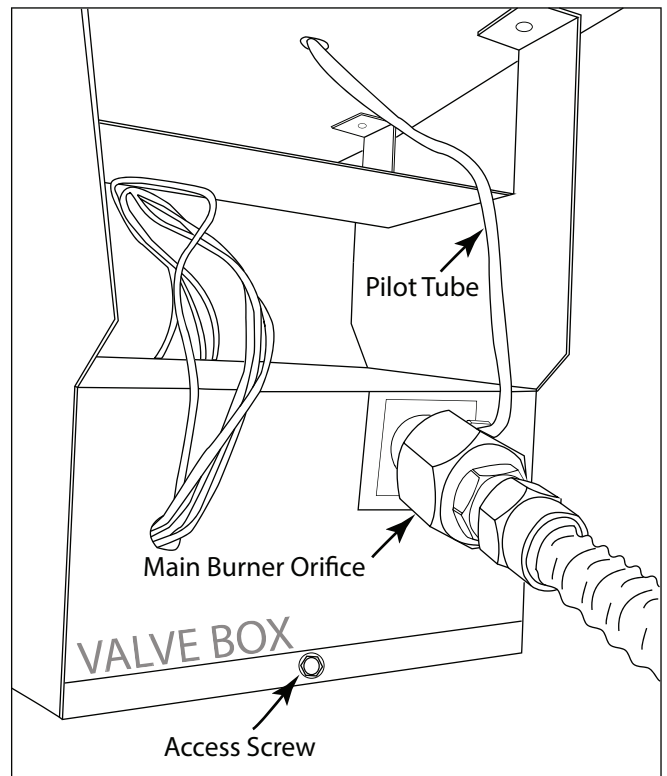


Fig. 25 Removing access screw from valve box.

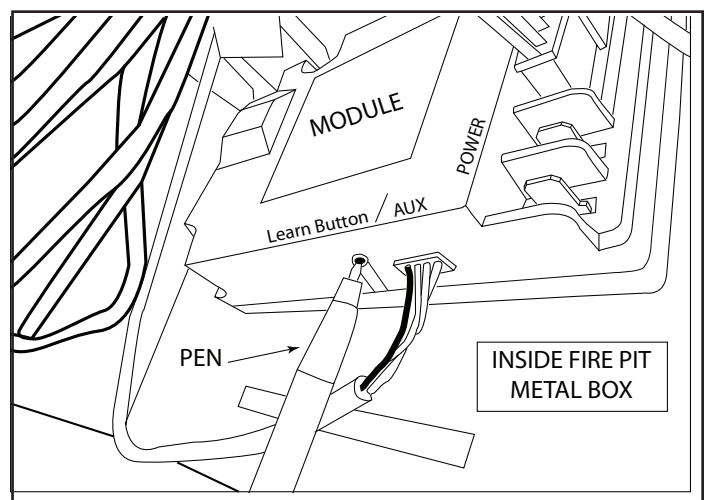


Fig. 26 Learn button location.

OPERATION

CAUTION: Children and adults should be alerted to the hazards on high surface temperatures and should stay away to avoid burns or clothing ignition. Young children should be carefully supervised when they are in the area of the appliance.

WARNING: Do not use this appliance if any part has been under water. Immediately call a qualified service technician to inspect the appliance and to replace any part of control system and any gas control, which has been under water.

SAFETY WARNINGS

1. Never leave the fireplace unattended during operation.
2. Clothing or other flammable materials should not be placed on or near the appliance.
3. Any guard or other protective device removed for servicing the appliance must be replaced prior to operating the appliance.
4. Installation and repair should be done by a qualified service person. The appliance should be inspected before use and at least annually by a qualified service person. More frequent cleaning may be required as necessary. It is imperative the control compartment, burners and circulating air passageways of the appliance be kept clean.
5. Inspect the fuel supply connection before each use of the appliance.
6. Temporary storage of this appliance indoors is permissible only if it has been disconnected from its fuel supply (Natural or L.P. gas line).

WARNING

1. This appliance is hot when operated and can cause severe burns if contacted.
2. Do not burn any solid fuels in this appliance.

LIGHTING INSTRUCTIONS

READ ALL WARNING AND SAFETY INFORMATION ABOVE BEFORE ATTEMPTING TO LIGHT FIREPLACE

TURNING ON THE FIREPLACE

1. Ensure you have leak tested the fireplace before operating. Turn main gas supply ON.
2. Ensure batteries are installed in battery pack and switch is on Latching Solenoid.
3. Press the ON button on the transmitter. You will hear the ignitor probe will begin sparking for up to 20 seconds and the fireplace will turn ON.
4. If the fireplace does not light the module will “beep” one time every second indicating an ignition error. This is a hard lockout. If this occurs press the **OFF** button on the remote control and repeat step 1-3.
5. If fireplace does not light after second try turn main gas OFF, wait 5 minutes and repeat steps 1-3.

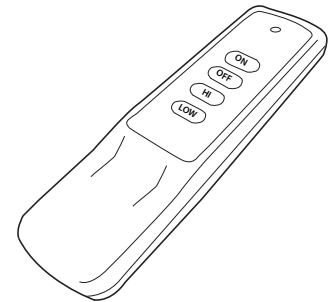


Fig. 27 Transmitter

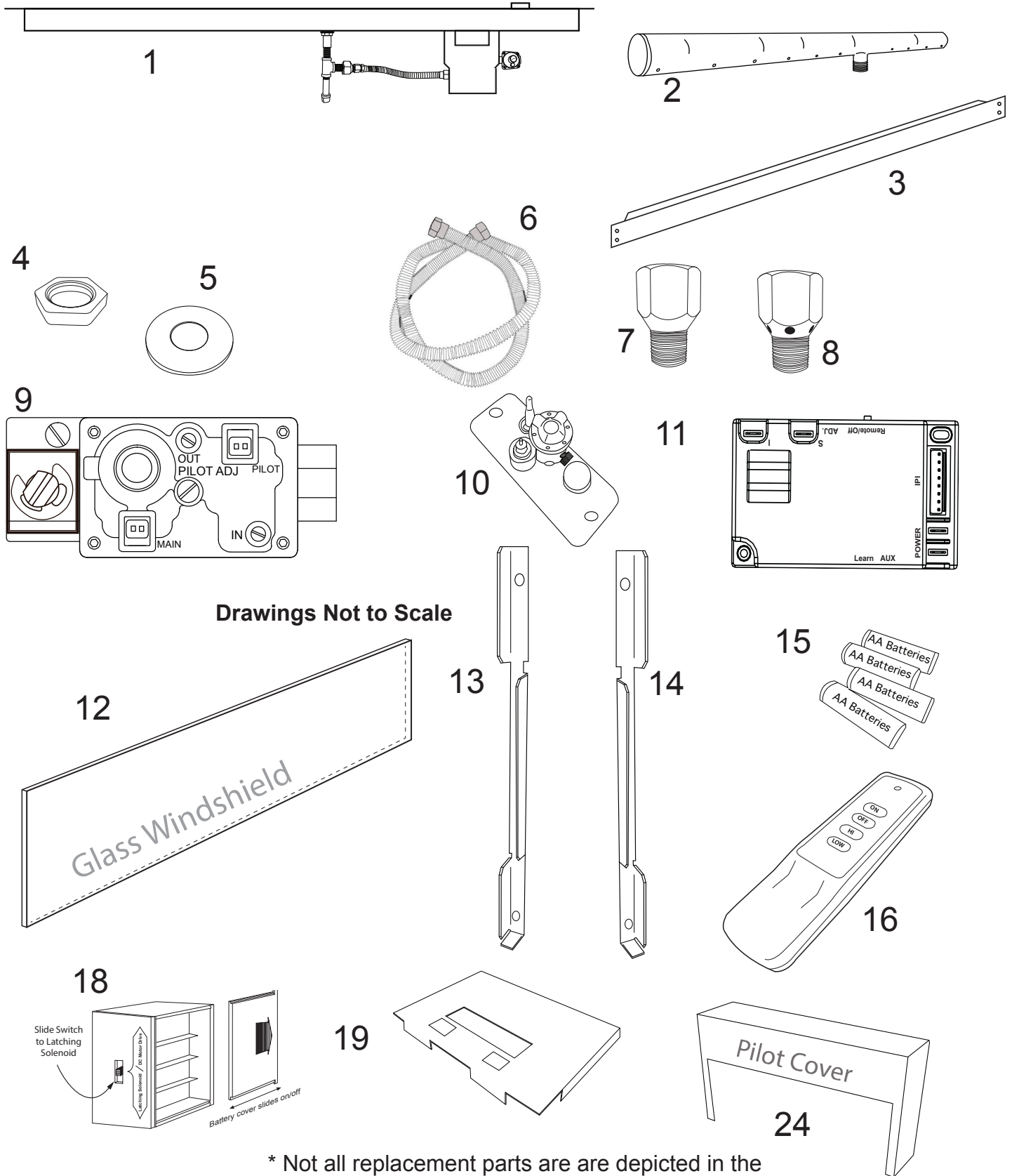
NOTE: It may take several cycles of ON/OFF to purge the airflow from the gas lines. The pilot ignition will turn OFF after 20 seconds if the burner does not light after which you will need to press transmitter OFF button then back ON to initiate ignition again.

Flame height can be adjusted HI and LO. After the fireplace is operating press the handheld transmitter HI or LO. The fireplace defaults to the HI setting when initially lighting the fireplace each time or if attempting to re-light but will remember the last setting used and change back to that last setting in approximately 5 seconds after lighting.

TURNING OFF THE FIREPLACE

1. To turn OFF the fireplace press the OFF button on the transmitter. Fireplace will turn OFF.
2. After fireplace has completely cooled off install cover.

KALEA BAY REPLACEMENT PARTS



Drawings Not to Scale

* Not all replacement parts are depicted in the drawings above but are listed on pages 24-25.

KALEA BAY REPLACEMENT PARTS LIST

Item	Description	Qty.	Part Number
1	36" Stainless Steel Burner Pan Assembly	1	KB-36-73200
1	48" Stainless Steel Burner Pan Assembly	1	KB-48-74200
1	60" Stainless Steel Burner Pan Assembly	1	KB-60-75200
1	72" Stainless Steel Burner Pan Assembly	1	KB-72-76200
2	36" Stainless Steel Burner Tube (1¼" diameter x 22 ¼" long)	1	KB-36-73028
2	48" Stainless Steel Burner Tube (1¼" diameter x 34 ¼" long)	1	KB-48-74028
2	60" Stainless Steel Burner Tube (1¼" diameter x 46 ¼" long)	1	KB-60-75028
2	72" Stainless Steel Burner Tube (1¼" diameter x 56 ¼" long)	1	KB-72-76028
3	Bottom Support Fin - Steel Support at Bottom of 36" Fireplace	1	KB-36-73114
3	Bottom Support Fin - Steel Support at Bottom of 48" Fireplace	1	KB-48-74114
3	Bottom Support Fin - Steel Support at Bottom of 60" Fireplace	1	KB-60-75114
3	Bottom Support Fin - Steel Support at Bottom of 72" Fireplace	1	KB-72-76114
4	½" MIP Lock Nut (Brass Mounting Nut)	1	105-8
5	7/8" Flat Washer/Spacer	2	ST3-113-1026
6	1/2" Flex Gas Line (46-inch Length)	1	T-200-9898-46
7	Air Shutter Orifice NG (for 36" Natural Gas Models)	1	OAS-NG42
7	Air Shutter Orifice NG (for 48" Natural Gas Models)	1	OAS-NG35
7	Air Shutter Orifice NG (for 60" Natural Gas Models)	1	OAS-NG31
7	Air Shutter Orifice NG (for 72" Natural Gas Models)	1	OAS-NG29
8	Air Shutter Orifice LP (for 36" Propane Gas Models)	1	OAS-LP52
8	Air Shutter Orifice LP (for 48" Propane Gas Models)	1	OAS-LP48
8	Air Shutter Orifice LP (for 60" Propane Gas Models)	1	OAS-LP45
8	Air Shutter Orifice LP (for 72" Propane Gas Models)	1	OAS-LP42
9	Electronic IPI Gas Valve with Solenoid	1	AF-4025DSILSS36
10	Pilot Assembly (comes as one complete assembly)	1	PILOTO-23300-206
11	Ignition Module	1	VCS-4000MODTC
12	Tempered Glass Windshield for 36" model (¼" x 8" x 35 ½")	1	KB-36-73120
12	Tempered Glass Windshield for 48" model (¼" x 8" x 47 ½")	1	KB-48-74120
12	Tempered Glass Windshield for 60" model (¼" x 8" x 59 ½")	1	KB-60-75120
12	Tempered Glass Windshield for 72" model (¼" x 8" x 71 ½")	1	KB-72-76120
13	Glass Holder (Windshield Clip) - Right Side	1	KB-XX-76119
14	Glass Holder (Windshield Clip) - Left Side	1	KB-XX-76124
15	AA Batteries 1.5 Volt (used in battery pack)	4	BATTAA
16	ON/OFF HI/LO Transmitter	1	RCAF-3TX
17	Transmitter Battery (not shown)	1	BATT12VOLT
18	Battery Pack (includes 12-foot 4-Pin, 4-wire harness, cover plate and 12-foot red & black 2-wire harness for solenoid)	1	AF-4000BP12
19	Bottom End (Used to center burner pan into fireplace)	2	KB-XX-76125
20	Gas Valve 8-Pin Wiring Harness (not shown)	1	AF-40008PIN12WH2
21	Plastic Electrical Gang Box with Tabs (not shown)	1	JUNCTIONBOX
22	½" NPT Male to ½" Male Flare Fitting (not shown)	1	U1-8D-S
23	¾" FIP to ½" Male Flare Fitting - burner to flex connector (not shown)	1	46-812
24	Pilot Cover (Sits inside bottom end, item #19)	2	KB-XX-76207

KALEA BAY REPLACEMENT PARTS LIST

Item	Description	Qty.	Part Number
25	½" Coupling 304 Stainless Steel (not shown)	1	99-8
26	½" Pipe Nipple 2-inch Length Stainless Steel (not shown)	2	113SS4-D2
27	½" Pipe Nipple 3-inch Length Stainless Steel (not shown)	1	113SS4-D3
28	½" Cap 304 Stainless Steel (not shown)	1	S4104-8
29	½" Tee 304 Stainless Steel (not shown)	1	S4311-8
30	Mesh Screen Cover (not shown)	1	ST3-100-1027
31	Manual Shut-off ½" OD Fare x ½" FIP (not shown)	1	01-487
32	36" Fireplace Hood (protrudes 1" from the top opening) (not shown)	1	KB-36-73131
32	48" Fireplace Hood (protrudes 1" from the top opening) (not shown)	1	KB-48-74131
32	60" Fireplace Hood (protrudes 1" from the top opening) (not shown)	1	KB-60-75131
32	72" Fireplace Hood (protrudes 1" from the top opening) (not shown)	1	KB-72-76131

FIREPLACE MAINTENANCE

1. The fireplace should be inspected and cleaned before first use at the beginning of each season by a qualified field service person.
2. Any component that is found faulty must be replaced with an approved component.
3. Any tampering or modifying with the fireplace is dangerous and voids all warranties.
4. During winter months in cold climates and various seasons operation the fireplace may be affected by weather conditions. It is recommended to use a weather proof cover ovetop for your fireplace to protect it from humid/rainy weather conditions when not in use. Heavy rains/downpours could affect the fireplace operation if not covered; if this occurs ensure you allow the fireplace time to dry out before attempting to operate. **NOTE:** If a combustible type cover is used over the fireplace when not in use be sure to remove it before operation to prevent a severe safety hazard.
5. Carbon (soot) may build up on the metal interior during heavy use. Sooting may also occur periodically under the pilot cover. **CAUTION:** Ensure fireplace is cool to touch and gas is turned OFF. To clean, mix several drops of dishwashing liquid into a bucket of hot water. The dish soap assists in breaking up the soot and removing it from the metal. 1. Dip a scrubbing sponge into the soapy water and wipe it back and forth over the soot deposits. This breaks off the majority of the soot from the metallic surface. 2. Spray any remaining soot deposits with a combination of warm water and white vinegar mixed in a spray bottle in a half-and-half solution. White vinegar is slightly acidic and this helps break up the soot and cleans the metal effectively. 3. Run a nylon scrub brush against any stubborn soot to remove it from the metal. Avoid using a metal scrub brush since this can result in scratching. 4. Buff the metal with a damp rag to remove any remaining soap or vinegar and then dry it with a dry rag.
6. Over time stainless steel parts can discolor when heated, usually a golden or brown hue. This discoloration is normal and does not affect the performance of the appliance.



TROUBLESHOOTING

Symptom	Remedy
Fireplace Won't Light	<ol style="list-style-type: none"> 1. Bleed gas line. 2. Ensure all gas lines are turned ON. 3. Ensure there is not too much media overtop the burner, it can inhibit the gas flow. Too little or no media can also contribute to non-lighting. 4. Check batteries in battery pack. Minimum total voltage to operate should be 5.3 volts.
No Spark to Ignite	<ol style="list-style-type: none"> 1. Visually look at ignitor for any physical damage. 2. Ensure batteries are not installed backwards in battery pack. Check min. voltage of 5.3 volts. 3. Ensure battery in transmitter is not installed backwards and at minimum voltage of 9.0 DCV.
Continues to Spark after Lighting	<ol style="list-style-type: none"> 1. Thermocouple out of alignment. 2. Check connection of thermocouple at "S" terminal on control module to ensure it is connected.
Low Flame	<ol style="list-style-type: none"> 1. Ensure the base media is at least 1-inch in diameter and top media is no more than 1-inch over top of burner. 2. Ensure all shut-off valves and valve is fully open (See page 6, Fig. 1). 3. Check for spider webs inside burner orifice.
Water in my Fireplace	<ol style="list-style-type: none"> 1. Excess dust/sand material from media may be blocking the weep holes to relieve water. Remove all media and unplug weep holes. Clean or install new media free of dust and dirt. 2. Ensure fire pit enclosure has proper drainage for water and proper ventilation to dry out. 3. Recommend to purchase a cover/lid (if applicable) to keep excessive water out of the fire pit.
Whistling Noises	<ol style="list-style-type: none"> 1. Check media to ensure it is not too tightly packed around the burner tube. 2. Ensure a non-whistling flex connector is being used.
Fireplace Won't Stay Lit	<ol style="list-style-type: none"> 1. Check alignment of pilot flame through ignition hole on page 21, Fig. 23. 2. Thermocouple reading should be between 10-20mV. Test at the brass ground lead on gas valve and the gold lead at "S" terminal on the control module. If no minimum millivolts are maintained replace the TC. 3. Check continuity of thermocouple. Using a volt meter remove the TC test lead "S" from the control module and the brass fork terminal from the gas valve. Test for continuity. If no continuity then replace the TC. 4. Ensure thermocouple is clean and free of any debris. Excessive soot can be an issue.
Low Flame Height	<ol style="list-style-type: none"> 1. Wrong media installed into the burner trough. 2. Too much media installed overtop of the trough (See page 17 for details).
Sooting	<ol style="list-style-type: none"> 1. Incorrect gas for the fireplace. Ensure rating label has proper model number for gas being used. 2. Too much media can cause sooting. 3. Wrong media being used. (See page 19 for details).

TROUBLESHOOTING - MODULE ERROR CODES

ERROR CODES

The VCS-4000MODTC control module has built-in error detection for several common operating fault conditions. When the control module detects an error, it will emit a series of beeps. The beeping pattern will help to determine the cause of the operating fault.

Ignition Safety (Protection for Ignition system):

Error Code: One beep every one second.

Description of Fault: Warn users if the pilot is not successfully ignited in 20 seconds.

How to Clear: Press OFF then ON buttons to re-attempt ignition.

What to Check:

1. Ensure gas supply is turned ON.
2. Ensure that the gas line is purged of air. Air is common in the gas line if the appliance has just been installed, has been disconnected then re-connected to the gas line, or if the appliance has been unused for an extended period of time.
3. Ensure there is no blockage in the gas line.
4. Ensure batteries in the battery pack are a minimum of 5.3 volts. If not, replace them.
5. Make sure that the flame is properly contacting the thermocouple on the pilot assembly and check for soot build-up. Clean soot if present.
6. Ensure orange/white leads from module are plugged into the "PILOT" connection on the valve body.
7. Ensure green/white leads from module are plugged into the "MAIN" connection on the valve body.
8. Verify lead from pilot assembly is connected to the "I" terminal on the module.
9. Verify lead from thermocouple is connected to the "S" terminal on the module and thermocouple ground terminal is connected to ground at the gas valve (See Fig. 32 on page 28).
10. Verify that the black ground lead from the module is connected to a proper ground on the appliance and check for frayed or pinched wires on the sensor wire lead.

Sensor Safety (Protection for Flame sensor):

Error Code: 4 Beeps every one second (Constant beeping)

Description of Fault: Warn users the flame sensor detects a flame already present when ignition sequence is initiated. Also if thermocouple is not given enough time to cool off (30 seconds or more) before re-lighting appliance.

How to Clear: Press OFF then ON buttons to re-attempt normal ignition.

What to Check:

1. Allow thermocouple to cool off minimum of 30 seconds.
2. Check if flame is actually present when valve is turned OFF (if so, replace valve).
3. Check to ensure ground wire from thermocouple and module are connected to gas valve.

Thermal Safety (Overheat Protection):

Error Code: 4 Beeps every 2 seconds.

Description of Fault: Warn users that the modules internal temperature exceeds 170°F.

How to Clear: Module's internal temperature must cool to below 160°F and then press ON button.

What to Check:

1. Ensure that there is proper ventilation to the control module.
2. Is module (inside valve box) located in unapproved location, too close to burner?
3. Move to cooler location.

Wireless Remote Transmitter Will Not Operate Appliance

1. Make sure that the transmitter is within the 25-foot operational range of the control module.
2. Ensure batteries in transmitter are fully charged and properly installed.
3. If using the battery pack, ensure batteries are fully charged and properly installed. Also, make sure the battery pack's 4-pin connector is securely connected to the battery pack and control module.
4. If using optional AC adapter, ensure that the AC adapter leads are securely attached to "POWER" connection on the control module. Also, ensure that the AC adapter is connected to a live 120VAC power source.
5. Ensure "Remote/Off" switch on control module is set to "Remote".
6. Ensure the control module has learned the transmitter's security code (learning section page 23).
7. Make sure that the remote transmitter is not placed/mounted to a metal surface, which will reduce the operating range.
8. Make sure that there is not a large metal obstruction between the remote transmitter and the control module.

Ignitor Sparks at Pilot Hood Frequently During Operation

1. The control module will generate a spark at the ignitor electrode to the pilot hood if the system is in the ON position, but does not light; thermocouple may not be hot enough or generating enough millivolts.
2. Make sure that the tip of the thermocouple is clean. Soot buildup will insulate the thermocouple and will not allow for proper flame sensing.
3. Make sure that wind does not blow the pilot flame out. The pilot hood and the media (rocks, glass, etc.) provides shielding from the wind. Ensure that the pilot hood and media are properly positioned per the instructions. If wind is too strong, and the pilot flame can not maintain contact the thermocouple properly, the appliance should not be operated.

Flame Modulation Will Not Work or Works Backwards

1. Ensure that the black and red leads from the battery pack are securely connected to the red and black leads from the Hi/Lo latching solenoid located on the valve body (red to red and black to black).
2. Verify that the selector switch on the battery pack is set to LATCHING SOLENOID only.
3. Check functionality with all transmitters to determine if there is an issue with the main control system or an individual transmitter. If the issue is with an individual transmitter, make sure that the batteries in both the transmitter and battery pack are installed properly and fully charged.

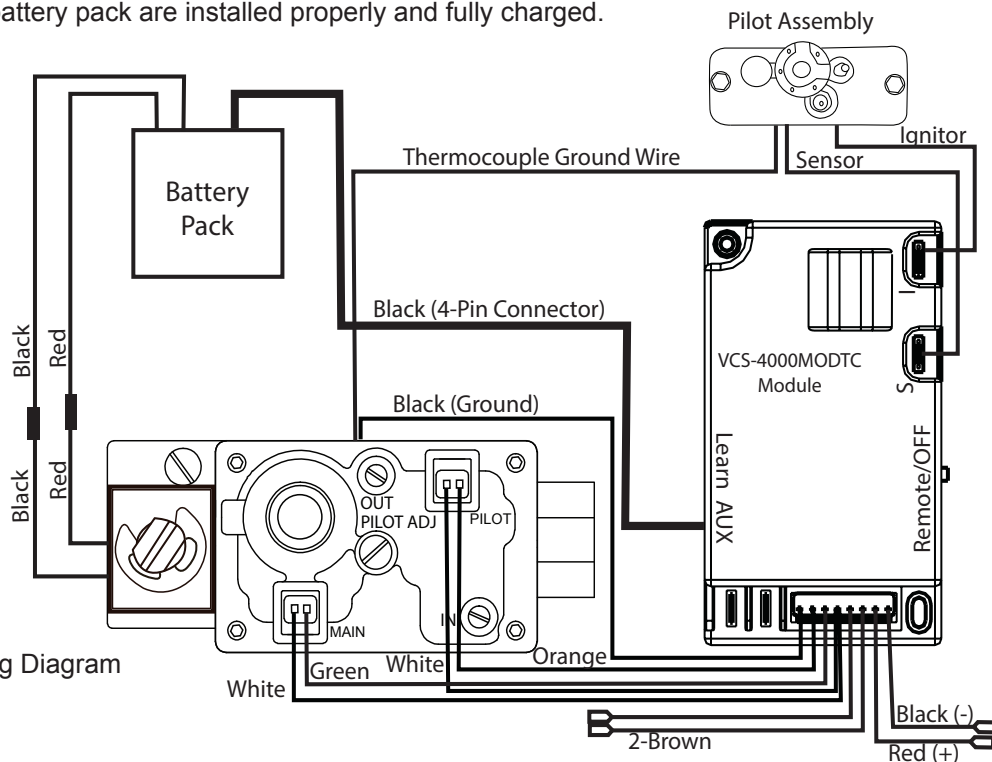
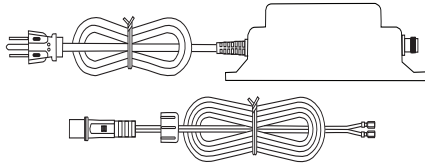
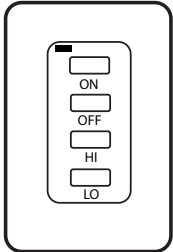
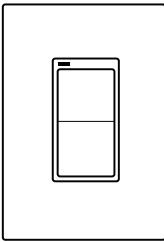
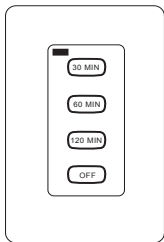


Fig. 28 Wiring Diagram

OPTIONAL ACCESSORIES

The following accessories are available from your local Firegear dealer/distributor.
Each accessory comes with a separate installation manual. Read each instruction thoroughly before installing.

<p>Firegear Outdoors Media</p> <p>GR-Series (Reflective Glass in several colors)</p>	<p>Model: ADP10-OUT (10' wire) ; ADP70-OUT (70' wire) AC Adapters Eliminates the use of battery power.</p> <div style="text-align: center;">  </div>	<p style="text-align: center;"><u>LP CONVERSION KIT</u></p> <p>THERE IS NO LP CONVERSION KIT AVAILABLE THESE MODELS. YOU MUST ORDER THE FIREPLACE DIRECT FROM THE FACTORY AS PROPANE.</p>
<p>MODEL: 1322-WT Wireless wall switch with ON/OFF/HI/LO</p> <div style="text-align: center;">  </div>	<p>MODEL: 1001D-A Wireless wall switch with ON/OFF ONLY</p> <div style="text-align: center;">  </div>	<p>MODEL: TMR-AF1 4-Button Timer with 30/60/120/OFF Minutes</p> <div style="text-align: center;">  </div>
<p>Home Automation System</p> <p>Model: AF-4000HAT Enables the fireplace to operate with a home automation device.</p>	<p style="text-align: center;">Twig Set</p> <p>Model: 926-930 6 piece Beach Driftwood twisted twig set. NOTE: Logs cannot be placed directly on the burner. They must be placed around the burner.</p>	

FOR TECHNICAL SERVICE, CALL: (855) 498-8324

Firegear Outdoors
9230 Conservation Way
Fort Wayne, IN 46809
Sales Support: (888) 699-6167

WEB SITE: www.firegearoutdoors.com





LIMITED WARRANTY

Skytech Products Group (Firegear Outdoors) hereby warrants to the end user that products will be free from material and workmanship defects that prevent safe and correct operation of the product. The warranty commences from date of sale to the end user for the following period:

CONSUMER/NON-COMMERCIAL APPLICATIONS:

Stainless Steel Components	5 Years
Gas Valve, Spark Igniter & Electronic Parts	2 Years
Log Sets	3 Years
Glass Windshields	5 Years
Glass Media	1 Year
Controls	5 Years
AnF Enclosures	5 Years

Lava Rock and Lava Stones are not covered by warranty

COMMERCIAL APPLICATIONS:

Stainless Steel Components	1 Year
Gas Valve, Spark Igniter & Electronic Parts	1 Year
Log Sets	1 Year
Glass Windshields	1 Year
Glass Media	1 Year
Controls	1 Year
AnF Enclosures	1 Year

Lava Rock and Lava Stones are not covered by warranty

End User must provide a bill of sale, canceled check, or payment record from the end user to verify purchase date and to establish warranty period. This Limited Warranty shall be valid and limited to the original purchaser only.

WARNING Any modification to the product will void the warranty.

This Limited Warranty shall be limited to the repair and/or replacement of parts that have proven to be defective under normal use and service. Before returning any parts, contact our Technical Service Department for a Return Materials Authorization (RMA) number. All warranty claims must be made by the OEM / Distributor / Dealer account on behalf of the end user. You may contact Technical Service at (855) 498-8324.

All approved returned defects must be confirmed by our Technical Service Department. If the defect is confirmed and we approve the claim, we will replace such parts without charge. This warranty gives you specific legal rights, and you may also have other rights, which vary from state to state.

Travel, diagnostic cost, service labor to repair the defect and freight charges on warranty parts to and from the factory will be responsibility of the owner. We will not be responsible for labor charges and/or damage incurred in installation, repair, and replacement.

This Limited Warranty is voided if not assembled, installed and operated as intended. This Limited Warranty does not cover any defects due to accident, abuse, misuse, alteration, misapplication, vandalism, improper installation or improper maintenance or service, removal from the original location or re-installation into another location, or failure to perform normal and routine maintenance.

Damage due to severe weather conditions such as hail, hurricanes, earthquakes, tornadoes, discoloration due to overheating, exposure to chemicals (including salt), either directly or in the atmosphere, or very high humidity, is not covered by this Limited Warranty.

There are no other express warranties except as set forth herein. For consumer applications, any applicable implied warranties of merchantability and fitness are limited in duration to the period of coverage of this Limited Warranty. Some states do not allow limitation on how long an implied warranty lasts, so this limitation may not apply to you.

For Commercial applications, the liability of Firegear Outdoors is limited to the express terms of this warranty. We expressly disclaim any and all implied warranties, including any warranties of fitness for a particular purpose or merchantability.

We are not liable for any special, indirect or consequential damages. Our maximum liability is limited to the purchase price of the purchased products. Some states do not allow the exclusion or limitation of incidental or consequential damages, so this limitation or exclusions may not apply to you.

We do not authorize any person or company to assume for it any other obligation or liability in connection with the sale, installation, use, removal, return, or replacement of its equipment; and no such representations are binding.





Having problems getting the fireplace to operate? Don't leave the job site!

We want to help! Call 855.498.8324 for Technical Support
between the hours of 8:00AM to 5:00PM EST.

Text photos to 260.255.5750 or e-mail photos to support@skytechpg.com

BEFORE YOU CALL WE WILL NEED THIS INFORMATION

1. Model Number: _____
2. Serial Number: _____
3. How long is the gas line run? Nat Gas ____ LP Gas ____
4. What size is gas line? _____
5. Inlet Gas Pressure: _____ WC
Manifold Gas Pressure: _____ WC
6. What type of media are you using? _____
7. Review the troubleshooting section in the installation manual.
8. What are the symptoms? Please be prepared to explain.
9. Be prepared to send photos to us when on the phone.
10. Found missing or damaged parts? Let us know ASAP or send photos.