



IR ENERGY INC.  
 563 BARTON STREET  
 STONEY CREEK, ON L8E 5S1  
 PHONE: (905) 664-9082  
 www.irenergy.ca

SELECT DESIRED GAS:

PROPANE

SELECT DESIRED FINISH:

316 MARINE GRADE STAINLESS STEEL

304 STAINLESS STEEL

BLACK POWDER COAT

BRONZE POWDER COAT

CUSTOM POWDER COAT  
 SPECIFY: \_\_\_\_\_

**TECHNICAL SPECIFICATIONS:**

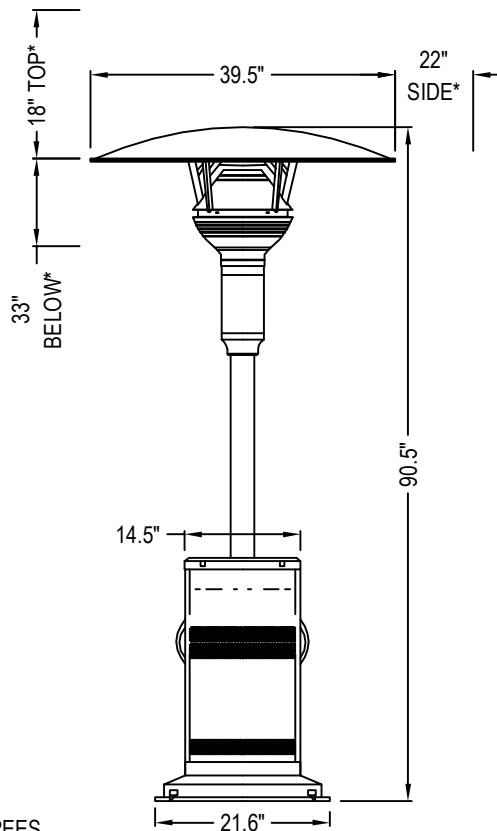
- HIGH FIRE - 46,000BTU/HR
- GAS MANIFOLD PRESSURE – 9.8" W.C.
- MAXIMUM GAS SUPPLY PRESSURE – 25PSI
- 140LBS WITHOUT PROPANE TANK
- ONE PIECE HEAVY DUTY REFLECTOR
- 1 X AA BATTERY POWERED IGNITION
- PILOT WITH THERMOCOUPLE
- ELECTRONIC TILT SAFETY SWITCH TO 15 DEGREES
- REGULATOR PROVIDED WITH QUICK CONNECT
- WHEEL KIT PROVIDED WITH BALL BEARING WHEELS
- PROPANE TANK NOT INCLUDED
- OUTDOOR ONLY INSTALLATION

**WARRANTY:**

- 3 YEARS ON 316 STAINLESS STEEL EMITTER
- 1 YEAR ON ALL OTHER PARTS

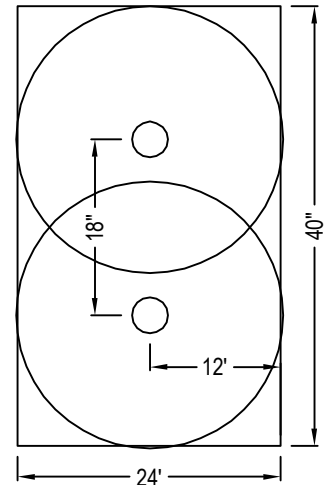
**NOTES:**

1. INSTALLATION TO BE COMPLETED IN ACCORDANCE WITH MANUFACTURER'S SPECIFICATIONS.
2. DO NOT SCALE DRAWING.
3. THIS DRAWING IS INTENDED FOR USE BY ARCHITECTS, ENGINEERS, CONTRACTORS, CONSULTANTS AND DESIGN PROFESSIONALS FOR PLANNING PURPOSES ONLY. THIS DRAWING MAY NOT BE USED FOR CONSTRUCTION.
4. ALL INFORMATION CONTAINED HEREIN WAS CURRENT AT THE TIME OF DEVELOPMENT BUT MUST BE REVIEWED AND APPROVED BY THE PRODUCT MANUFACTURER TO BE CONSIDERED ACCURATE.
5. CONTRACTOR'S NOTE: FOR PRODUCT AND COMPANY INFORMATION VISIT [www.CADdetails.com/info](http://www.CADdetails.com/info) AND ENTER REFERENCE NUMBER 5029-004.

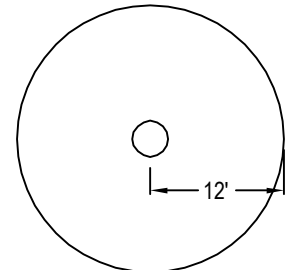


FRONT ELEVATION

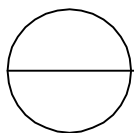
\*CLEARANCES TO COMBUSTIBLES



TYPICAL COVERAGE  
TWO HEATERS



TYPICAL COVERAGE  
ONE HEATER



**EVENGLO**

EVENGLO PORTABLE SERIES: MODEL GA201M2