



TRD-38 shown with Birch Logs
and 3-sided trim

INSERTS
ELECTRIC FIREPLACES

Amantii

SIERRA  **FLAME**

ELECTRICS BY AMANTII

Designed as a perfect alternative for wood or gas inserts, our electric insert fireplaces breathe new life into new or aging masonry or metal fireplaces.

Both stylish and practical, the Amantii electric inserts are quick and easy to install making them an ideal application for the renovation and home improvement market.

KEY FEATURES

- Zero emissions, compared to gas and wood, but with traditional looks
- Rated for Indoor and Outdoor applications
- State of the art Fire and Ice® flame set with a click of the remote change the flame from traditional colors such as orange to more contemporary blue, purple, rose and violet colors
- Can produce up to 1200W 4096 BTU heat, Heats approx. 400 sq ft
- 2 stage heater
Flame operates with or without heat

The Insert series offers a vibrant multi-colored state-of-the-art flame that is easily changed from blue to purple to violet to orange or yellow with just a click of the remote.

- Hard wire ready
Thermostat hard wire ready
- Remote control for flame and heater
- 2 Flame sets. Ambient canopy lighting in 13 colors illuminates media like never before
- Heater is located in inner top of the unit, thus allowing the heat to cascade down over the top of the glass
- Hidden venting allows for a true clean face appearance

IDEAL APPLICATIONS

- Apartments
- New construction or renovations
- Outdoor spaces

TECHNICAL SPECS

Volts	120V 60Hz
Amps	10
Watts	1200 W
Heater On	1200 watts high, 600 watts low
Heater Off	22 watts
Rotor Motor	1 at 5 watts
BTU	4096

SERIES MODELS:

- TRD-26
- TRD-30
- TRD-33
- TRD-38



TRD-38

*Height, Width, Depth: 69.22cm x 94.30cm x 31.43cm
Glass Viewing Opening & Size: 60.01cm X 89.54cm
**Shipping size: 75.25cm x 106.05cm x 39.37cm
Shipping Weight: 46 Kg Glass Included

TRD-26



*Height, Width, Depth: 42.55cm x 64.15cm x 28.89cm
Glass Viewing Opening & Size: 33.66cm x 59.37cm
**Shipping size: 54.61cm x 86.04cm x 37.15cm
Shipping Weight: 26.1 Kg Glass Included

TRD-30



*Height, Width, Depth: 48.58cm x 74.61cm x 28.89cm
Glass Viewing Opening & Size: 39.37cm x 69.85cm
**Shipping size: 54.61cm x 86.04cm x 37.15cm
Shipping Weight: 31 Kg Glass Included

TRD-33



*Height, Width, Depth: 56.52cm x 80.65cm x 28.89cm
Glass Viewing Opening & Size: 47.63cm x 75.88cm
**Shipping size: 62.55cm x 92.08cm x 37.15cm
Shipping Weight: 35.4 Kg Glass Included

INCLUDED ACCESSORIES

10 piece Birch log set, charcoal grey real fireglass media and two bags of vermiculite, in black and white, plus a remote. A steel trim and glass inlay are included for the 26, 30, 33 & 38 models only.



*Remote control may not be exactly as shown

ELECTRICS BY SIERRA FLAME

Breathe new life into existing masonry or metal fireplaces with an elegant Sierra Flame Electric Insert in two sizes. Designed as a good alternative for wood or gas inserts, these electric inserts are quick and easy to install which makes it an ideal application if you are renovating an existing fireplace. Ideal for Home Improvement Projects.

The Insert Series offers a vibrant multi-colored state-of-the-art flame that is easily changed from blue to purple to violet to orange or yellow with just a click of the remote.

KEY FEATURES

-  Heater & Fan
Flame operates with or without heat
-  Perfect for zone heating.
Approx. 500 sq. ft. 4800 BTUs
-  Hard-wire ready
Thermostat hard-wire ready
-  Vibrant multi-colored state-of-the-art flame presentation. Three light strips allow for yellow, orange, blue, violet & rose colored flames
-  Remote for flame & heater
-  Log set and EMBER decorative media included

INCLUDED ACCESSORIES



**Remote control may not be exactly as shown*

IDEAL APPLICATIONS

- Retrofits
- Into existing metal or masonry fireplaces
- New construction
- Renovation projects

TECHNICAL SPECS

Volts	120
Amps	13
Watts	1500 max
Heater On	1500 watts high, 750 watts low
Heater Off	22 watts
Rotor Motor	1 at 5 watts
BTU	4800

SERIES MODELS:

Steel front INS 30, INS 34

INS-FM-34

*Height, Width, Depth: 76.2cm x 106.68cm x 25.72cm
Glass Viewing Area: 44.13cm x 70.17cm
Surround Size: 76.2cm x 106.68cm
Shipping Size: 113.98cm x 33.02cm x 82.97cm
Shipping Weight: 41.9kg Glass Included



INS-FM-30

*Height, Width, Depth: 63.5cm x 96.52cm x 25.4cm
Glass Viewing Area: 39.05cm x 59.69cm
Surround Size: 63.18cm x 96.52cm
Shipping Size: 104.14cm x 33.02cm x 69.43cm
Shipping Weight: 34.5kg Glass Included

Fire Glass

Our decorative fire glass media is a beautiful addition to your fireplace. Turn your fireplace into a expressive work of art by simply adding our decorative fire glass media. Our fire glass adds a distinctly modern feel to your gas fireplace - mix colors and textures for a unique appearance.

Our decorative fire glass is tempered and will not melt or degrade, some discoloration is normal on glass that is placed directly on the flame. Always wear protective gloves when handling fire glass media.

One 11 kg container of media will cover .092sq m

AMSF-GLASS-01 AMSF-GLASS-02 AMSF-GLASS-03 AMSF-GLASS-04 AMSF-GLASS-05

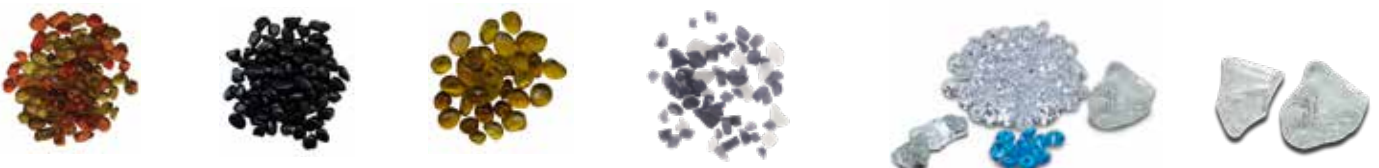


AMSF-GLASS-06 AMSF-GLASS-07 AMSF-GLASS-08 AMSF-GLASS-09 AMSF-GLASS-10



Decorative Media Options

AMSF-GLASS-11 AMSF-GLASS-12 AMSF-GLASS-13 AMSF-GLASS-14 FI-105-DIAMOND FI-106-DIAMOND



FI-107-DIAMOND FI-109 DIAMOND LOG SET LRG LOG SET CLEAR



Trims

3-sided and 4-sided trims are made of 22 gauge metal, and available for the 26, 30, 33, 38 models.



3-sided trim



4-sided trim

Designer Media Kits

Add incredible value with designer media kits including deluxe log sets, glass and stone media and decorative embers.

DESIGN-MEDIA-BIRCH-10PCE



DESIGN-MEDIA-OAK-10PCE



DESIGN-MEDIA-14PCE



14-piece log



Black fire glass 90-piece pebble Rocks



Embers 1 Embers 2 Embers 3 Embers 4

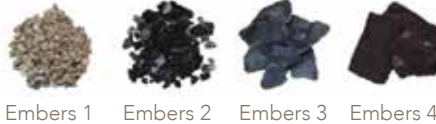
DESIGN-MEDIA-BIRCH-15PCE



15-piece Birch log



Black fire glass 90-piece pebble Rocks



Embers 1 Embers 2 Embers 3 Embers 4

DESIGN-MEDIA-15PCE



15-piece Drift log



Black fire glass Embers 1 Embers 3



90-piece pebble Embers 2 & 4 Rocks

DESIGN-MEDIA-6PCE



6-piece log



Black fire glass 90-piece pebble Rocks



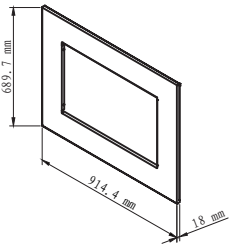
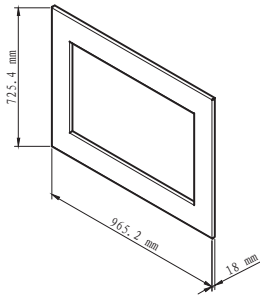
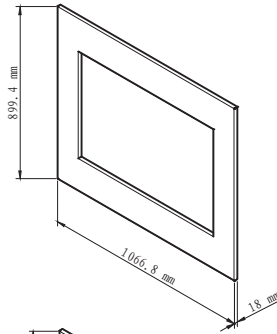
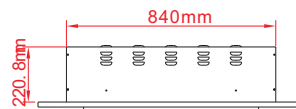
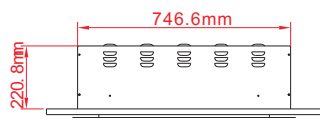
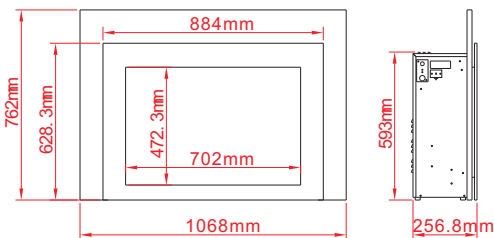
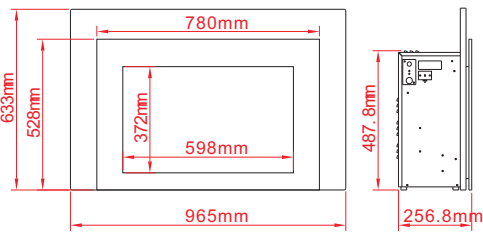
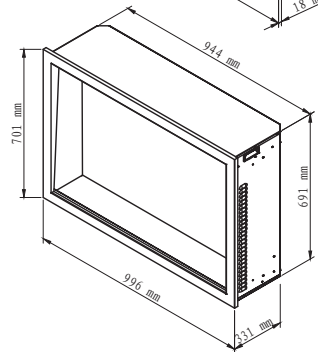
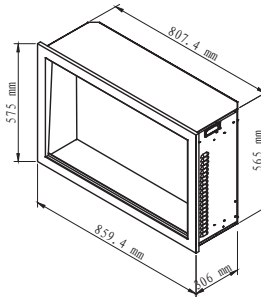
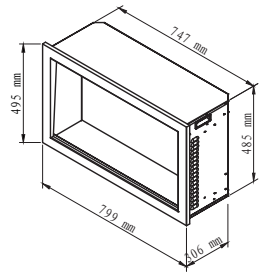
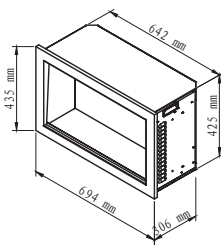
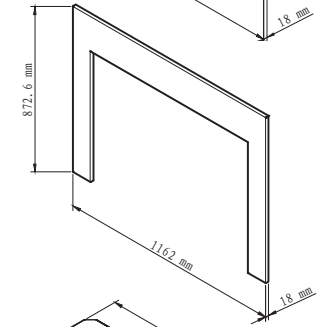
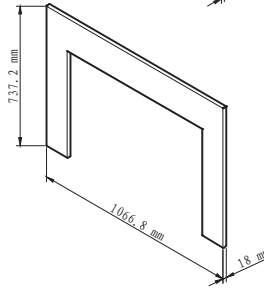
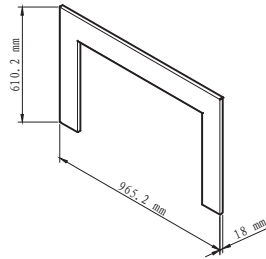
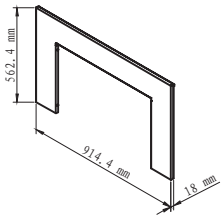
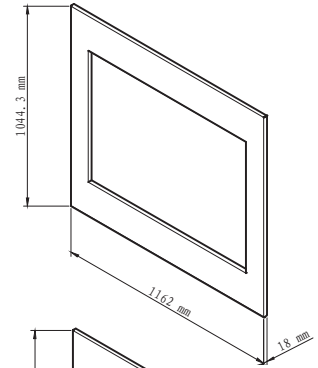
Embers 1 Embers 2 Embers 3 Embers 4

Images are not to scale, please visit your local dealer to view the actual accessories.

Variations in the color and shade are inherent in all printing processes, the actual colors may vary slightly from those shown.

Note: Log sets and Designer Media Kits will fit in all sizes of the following models - Panorama DEEP, TRU VIEW XL and CUBE ONLY.

(Depending on the size of the fireplace model, some logs may not be needed.)

TRD-26**TRD-30****TRD-33****TRD-38****INS-FM-30****INS-FM-34**

AM-SF-Inserts-Metric June 2020

Distributed By:

Visit our online showrooms at:

www.amantii.com

We reserve the right to update products, specifications and dimensions are subject to change. Please refer to the product manual to verify measurements and clearance requirements. All local building codes must be followed.