

Installation Instructions

VFA2-1 Fresh Air Kits

For installation on the following appliances:

Fresh Air Kit Used on Models: VFD(32,36,42)FB Series and VFP(32,36,42)FB Series
(NOT TO BE USED WITH STAINLESS STEEL OR REFLECTIVE LINER
ON VFD(32,36,42)FBO(F,L) LATER THAN -2)

The optional Fresh Air Kit is designed to introduce outside air to the firebox as desired. It must be installed prior to, or at the time of firebox installation to framing.

The Fresh Air kit must be installed prior to the installation of wall-board or other finishing materials around the unit.

Hardware needed (not provided): 4" Aluminum Flex Duct, 2 Band Clamps

Tools needed: Gloves, Metal snips, 5/16" Nut Driver, Phillips Screwdriver

Caution: Sharp edges

Slide Assembly Installation

1. Begin by removing the rectangular cutout located on the left side of the unit. Use gloves and sheet metal snips to create the opening for the Air Door assembly to install into. See Figure 1.



Figure 1

2. Remove the cover plate on the left side of the firebox and discard. See Figure 2a. Some units will not have a cover plate. For those units, bend the tab out of the way. See Figure 2b

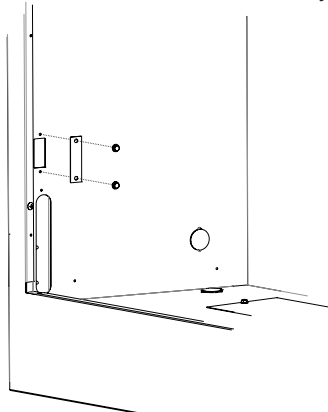


Figure 2a

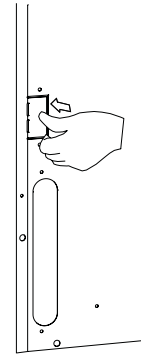


Figure 2b

3. Insert Slide Assembly through the cut-out as shown in Figure 3. Before you fasten ensure that the handle penetrates the inner firebox wall. See Figure 4. Fasten the Slide Assembly with the four 10 x 1/2 Hex Head Screws provided.

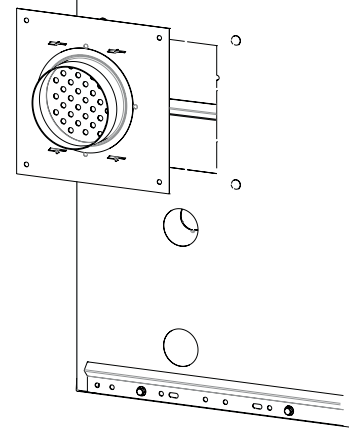


Figure 3

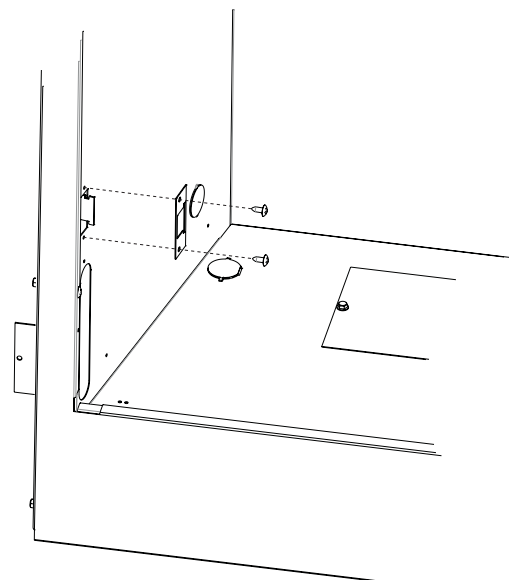


Figure 4

4. Fasten the Handle Retainer to the firebox side with two 10 x 1/2 Phillips Truss Head Screws as shown in Figure 4.
5. Push the handle for "Open" position and pull the handle for the "Closed" position. See Figure 5.

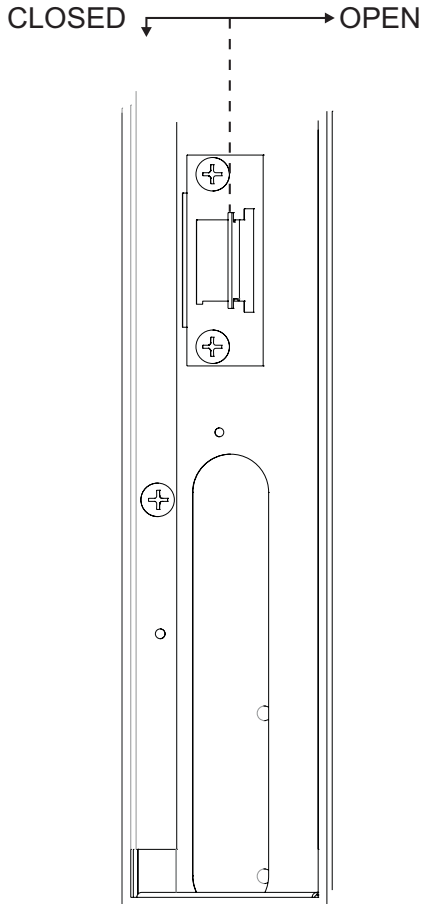
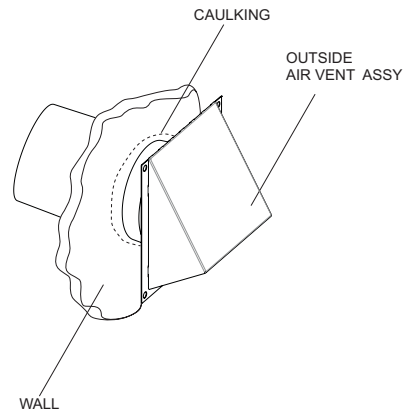


Figure 5

Completion of Air Kit installation

1. Determine the length of 4" Dia. rigid or flex duct connector (installer supplied) you will need from the firebox/fireplace to the exterior surface of the outside wall, where the air kit hood will be installed. Add a few extra inches to the length to allow for easier attachment of the outside duct connection prior to securing the outside rain cap hood to the building.
2. Secure the 4" dia. duct to the Slide Assembly collar on the firebox with band clamps or screws (installer supplied).
3. Run the other end of the duct through the exterior wall cutout.
4. From the outside of the building, connect the duct to the collar on the outside air vent assembly with band clamp or screws to secure (installer supplied).
5. Secure the Outside Air Vent Assembly to the outside wall with the four 10 x 1/2 Hex Head Slotted Screws provided. Seal with caulk as necessary. See Figure 6.
6. Figure 7 illustrates the various options for installation of the air duct run possibilities.

Note: In installations where the flex duct would normally be straight (without turns), it is recommended a turn or dip be added in the run to reduce air velocity.



Caulk and Install Duct Termination

Figure 6

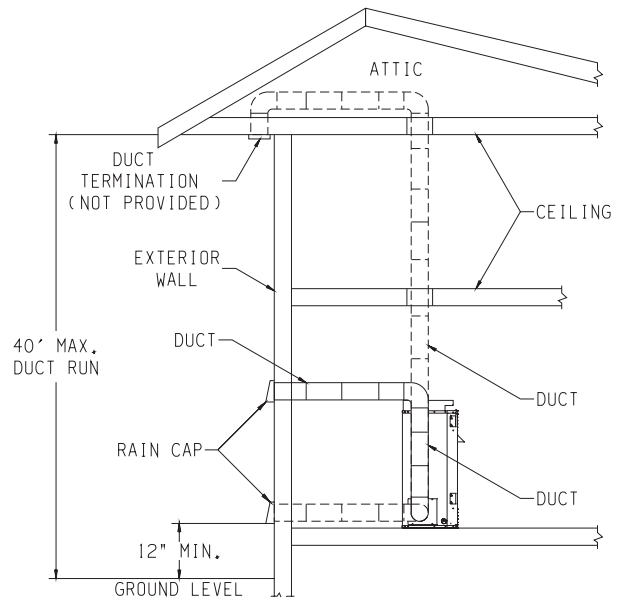
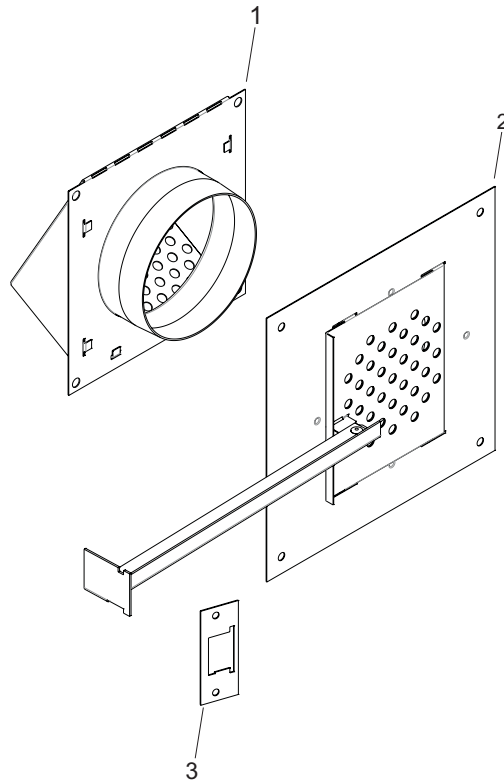


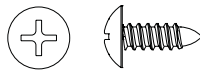
Figure 7



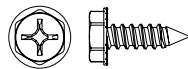
PARTS LIST

INDEX NO.	PART NO.	DESCRIPTION
1	29259	Outside Air Vent Assembly
2	29257	Slide Assembly
3	29263	Handle Retainer

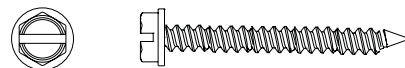
Hardware Pack



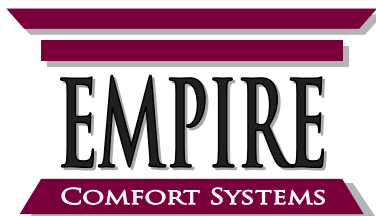
R-3580, PHILLIPS TRUSS HEAD SCREW 10 X ½ - QTY - 2



R-2737, HEX HEAD SCREW 10 X ½ BLACK - QTY - 4



R-1134, HEX HEAD SLOTTED SCREW 10 X 1½ - QTY - 4



Empire Comfort Systems Inc.
918 Freeburg Ave. Belleville, IL 62220

If you have a general question about our products, please e-mail us at
info@empirecomfort.com.

If you have a service or repair question, please contact your dealer.

www.empirecomfort.com