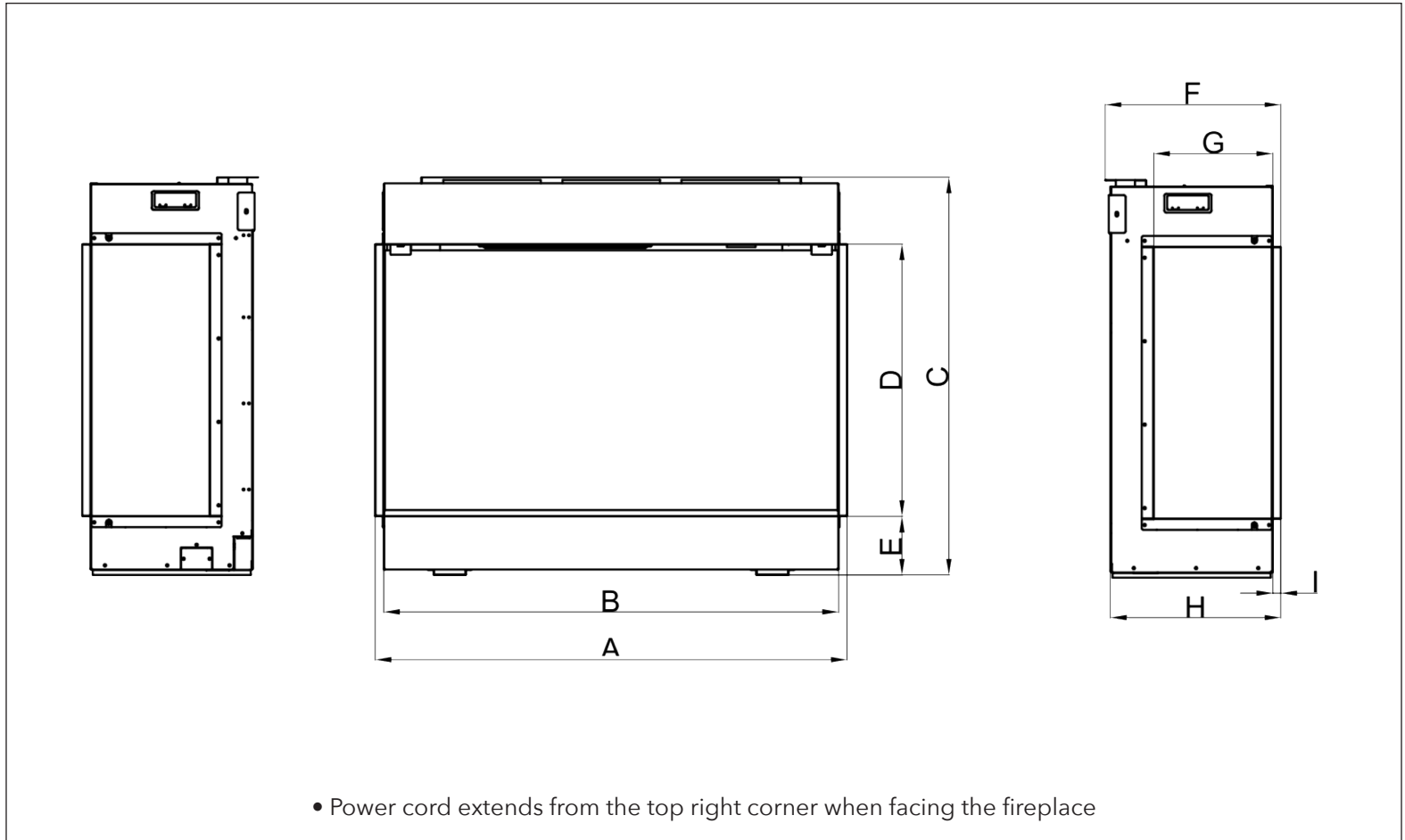


Melody DY-BTS60 Electric Fireplace

Specifications Sheet



Model	Circuit	Max. Power	Lighting Only	Standby	Outlet	Viewing Area	BTU	Cord Length
DY-BTS60	15A, 120V / 60HZ	1500 W	46 W	1.5 W	<ul style="list-style-type: none"> • Standard (type B) • Hardwire ready 	1600 mm W x 400 mm H	5000	1829 mm
						63 in. W x 15 ¾ in. H		72 in.



Model	A	B	C	D	E	F	G	H	I
DY-BTS60	1632 mm	1600 mm	633 mm	400 mm	110 mm	325 mm	220 mm	315 mm	15 mm
	64 ¼ in.	63 in.	25 in.	15 ¾ in.	4 ⅜ in.	12 ¾ in.	8 ⅝ in.	12 ⅜ in.	½ in.

Certification

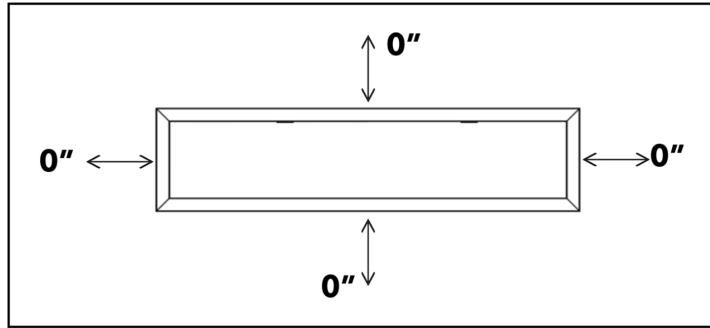


Melody DY-BTS60 Electric Fireplace

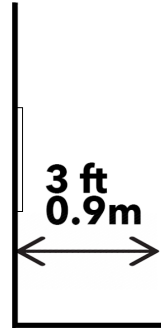
Specifications Sheet



Clearances



Front View

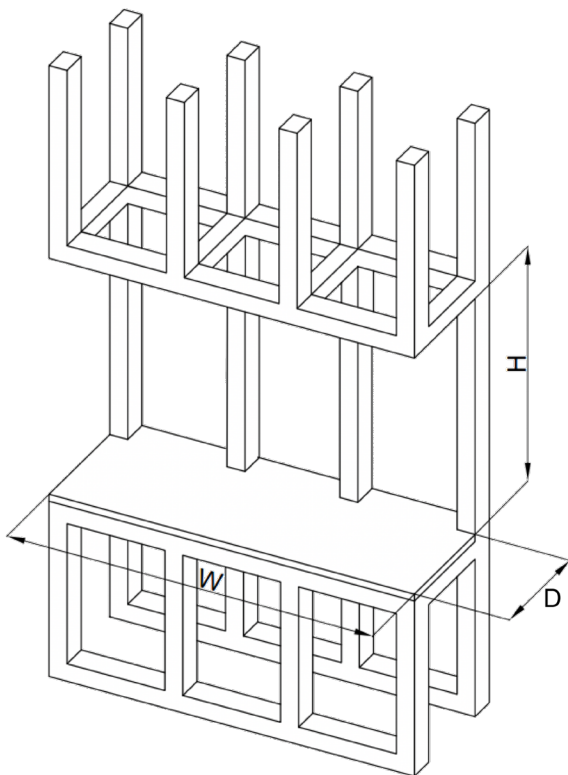


Side View

Minimum Clearances to Combustibles	
Top	0"
Sides	0"
Back	0"
Bottom	0"
Front	36" / 0.9m

- No clearance requirements on top, bottom, left, and right sides of the fireplace in 1-sided, 2-sided, or 3-sided configuration
- Keep furniture, drapery or items at least 3 ft / 0.9m away from the front of the fireplace

Framing



Framing Dimensions

W	H	Depth
1610 mm	643 mm	320 mm
63 3/8 in.	25 3/8 in.	12 1/2 in.

Product installation must adhere strictly to instructions accompanying product to avoid risk of fire and potential injury



Dynasty Fireplaces
 3231 No. 6 Road, Unit 127
 Richmond, BC V6V 1P6 Canada
 +1 877-521-1009 | 604-821-1009 | support@dynastyfireplaces.com
 Visit Us: dynastyfireplaces.com

