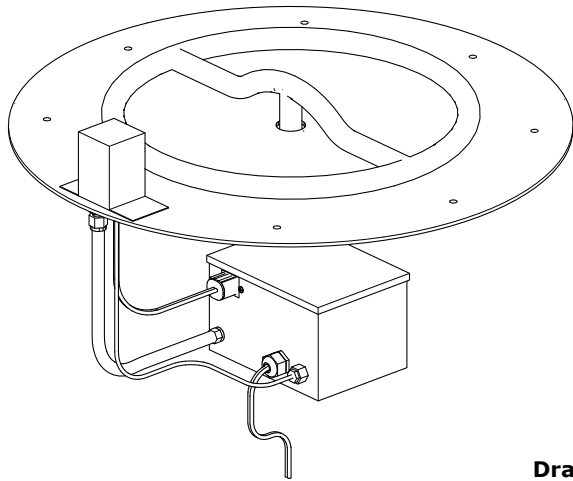
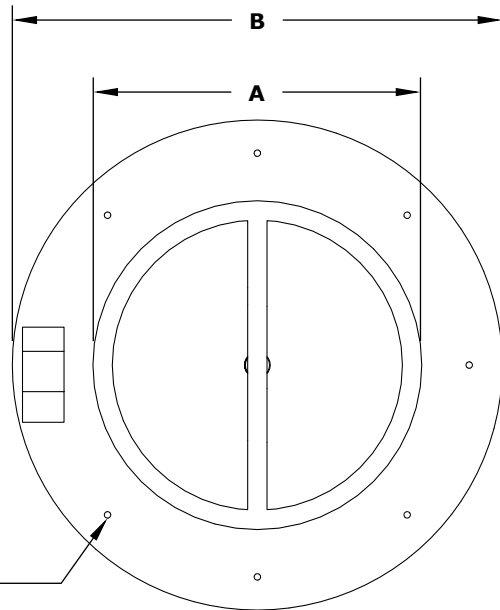


ROUND FLAT PAN & ROUND BURNERS 12V ELECTRONIC IGNITION

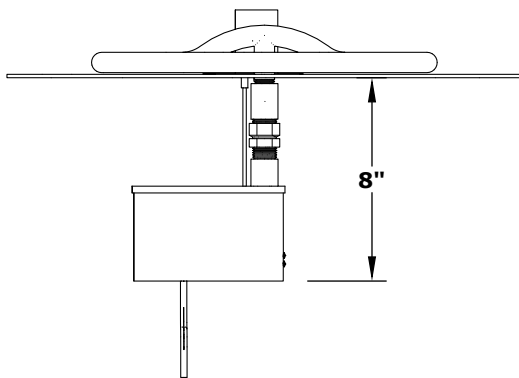


ISOMETRIC VIEW

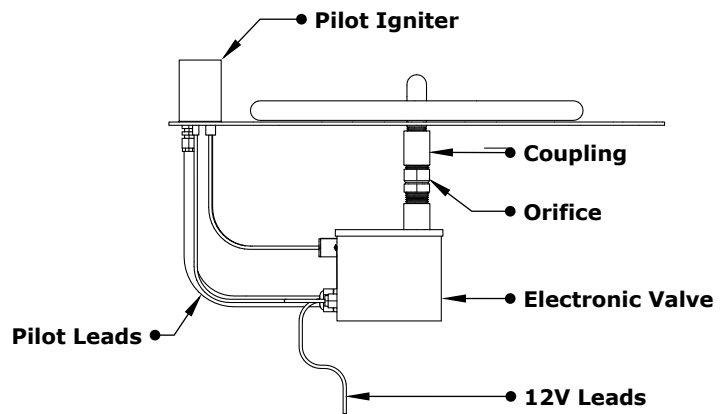


Drain Holes

TOP VIEW



RIGHT SIDE VIEW



FRONT SIDE VIEW

SKU	A	B	INLET	BTU
OPT-110012BPE12	12"	6"	1/2"	45,000
OPT-110018BPE12	18"	12"	1/2"	65,000

Includes: Pan, Burner, Electronic Valve, Pilot Igniter. 12V Transformer.

Pan Material: 304 Stainless Steel
 Burner Material: 304 Stainless Steel
 Ignition Type: 12V Electronic Ignition
 (12V Transformer Included)

12V ELECTRONIC IGNITION
 ANSI Z21.97-(2017) / CSA 2.41-(2017)

