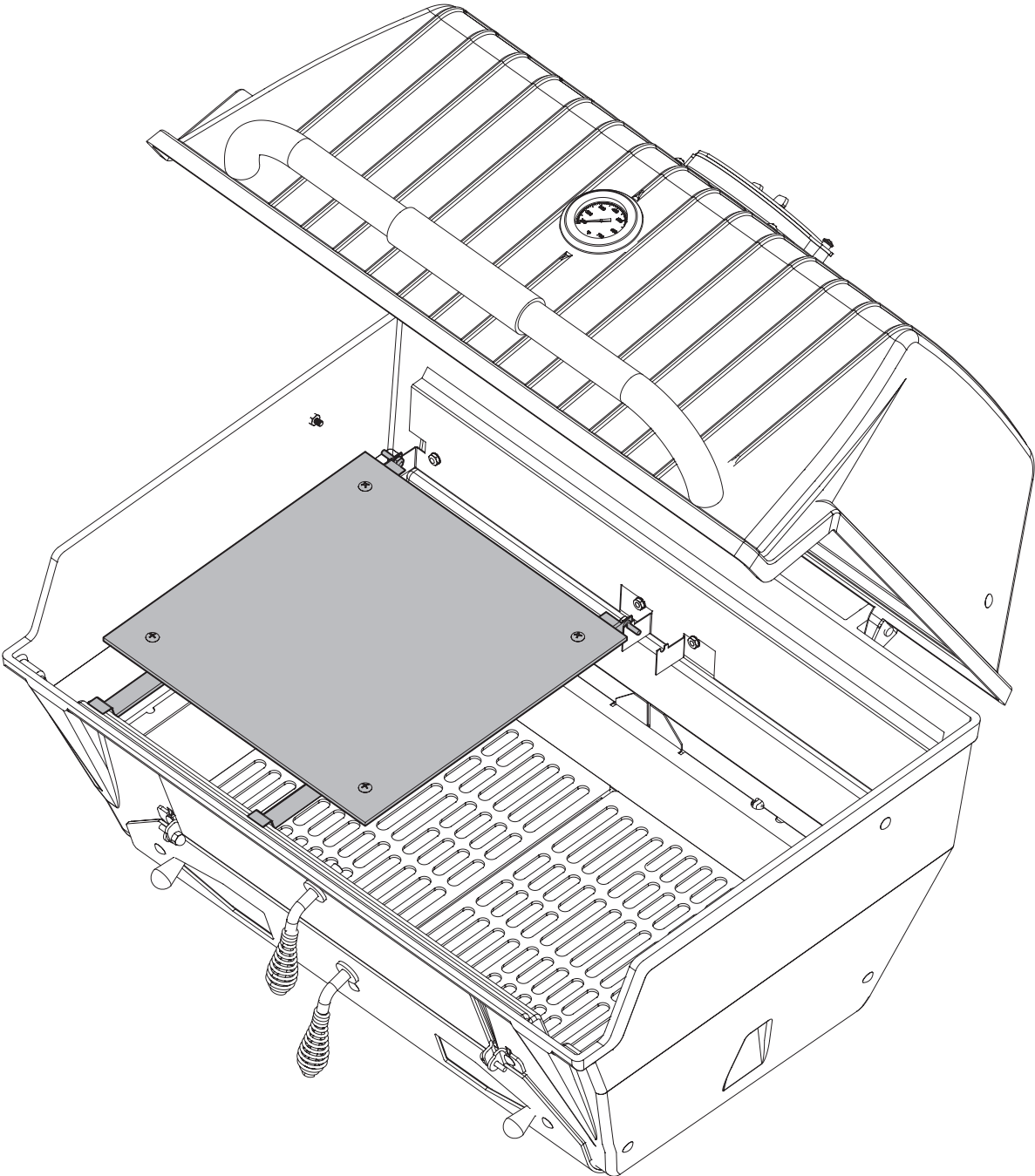


BROILMASTER[®]

PREMIUM GRILLS

DPA301-1 RADIANT GLASS PANEL **FOR USE WITH C3 SERIES GRILLS**



Overview

The Broilmaster Radiant Glass Panel is designed to enhance the flavor of your food. The Glass vaporizes drippings into flavorful smoke and moisture. It also can be used as a heat deflector when indirect heat is desired or slow cooking at lower temperatures.

The use of one or two Radiant Glass Panels can be used depending on how you plan to cook.

Installation

1. If grill is assembled remove the cooking grids.
2. Place the two pins of the Radiant Glass Panel brackets on the rear support bracket at the back, inside of the grill. Swing the glass panel down so that the front tabs rest on the front lip of the casting. See Figure 1.
3. Replace the cooking grids.

Operation

1. Remove the Cooking Grids and swing up the Radiant Glass Panel.
2. Follow the instructions for lighting your Broilmaster Charcoal Grill that came with your grill.
3. Once the coals are burning, wear heat resistant gloves and replace the Radiant Glass Panel and Cooking Grids.
4. Grill as you normally would.

Tips:

1. When searing food at high temperatures with the Radiant Glass Panel in place, the grates should be in the Medium position so the grate is just sitting above the glass. The infrared heat will sear and lock the juices into the food. The drippings will vaporize back up into the food creating moisture and smoke flavor.
2. When indirect cooking or slow cooking with the Radiant Glass Panel in place, the grates should be in the high position. This keeps the food farther away from the heat. The Radiant Glass Panel will act as a heat deflector when used at lower temperatures. The Radiant Glass Panel will allow the food to brown nicely. A shallow drip pan can be placed on the glass panel between the glass and grates if desired.

Care and Use

1. If the screws holding the glass to the bracket need tightening, hand tighten ONLY. NEVER overtighten or use tools to tighten. There must be room for expansion and contraction between the glass and brackets.
2. The Radiant Glass Panel is shock resistant to moisture when hot, allowing for sauces to be added or basting while cooking.
3. The Radiant Glass Panel is glass and will break if hit or dropped.
4. After Every Use: Once the grill and Radiant Glass Panel are cool to the touch after use, clean Radiant Glass Panel with a scraper or putty knife to remove build-up from the Radiant Glass Panel.
5. The Radiant Glass Panel can be washed with soap and hot water and is dishwasher safe.

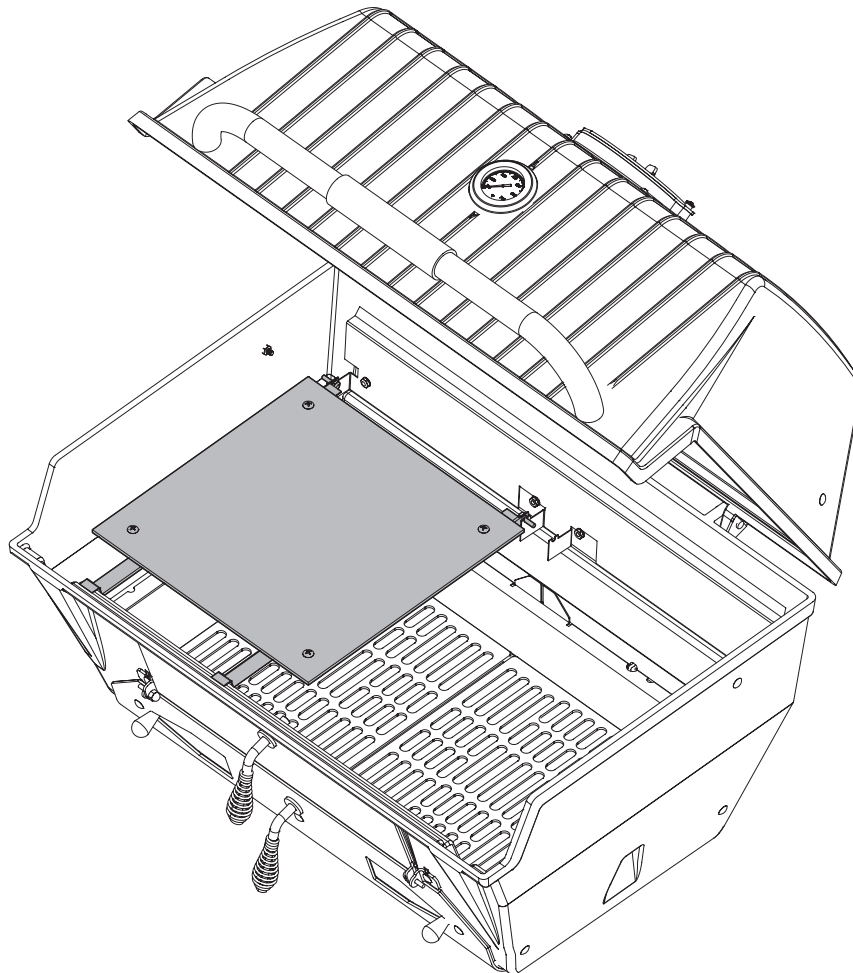


Figure 1